

US00D767788S

(12) **United States Design Patent** (10) **Patent No.:** **US D767,788 S**  
**Chaney et al.** (45) **Date of Patent:** **\*\* Sep. 27, 2016**

- (54) **WINDOW FRAME EXTRUSION**
- (71) Applicants: **Michael T. Chaney**, Middletown, OH (US); **Jonathan C. Hauberg**, Centerville, OH (US)
- (72) Inventors: **Michael T. Chaney**, Middletown, OH (US); **Jonathan C. Hauberg**, Centerville, OH (US)
- (73) Assignee: **DECEUNINCK NORTH AMERICA, LLC**, Monroe, OH (US)
- (\*\*) Term: **14 Years**
- (21) Appl. No.: **29/520,134**
- (22) Filed: **Mar. 11, 2015**
- (51) **LOC (10) Cl.** ..... **25-01**
- (52) **U.S. Cl.**  
USPC ..... **D25/124**
- (58) **Field of Classification Search**  
USPC ..... D25/44, 48.7, 60, 119–125, 136–137; 52/204.1, 204.2, 204.5, 204.51, 52/204.55, 204.61, 204.62, 204.69, 204.7, 52/204.72, 206, 208, 209, 212, 213, 215, 52/579, 656.2, 656.4, 656.5, 656.6, 656.7; D20/42, 43, 44; D34/35  
CPC ..... E06B 1/02; E06B 1/04; E06B 1/16; E06B 1/36; E06B 1/52; E06B 3/305; E06B 3/22; E06B 3/222; E06B 3/24; E06B 2003/66385  
See application file for complete search history.

- (56) **References Cited**  
U.S. PATENT DOCUMENTS
- D338,973 S \* 8/1993 Cole ..... D25/124  
6,047,514 A \* 4/2000 Verch ..... E06B 3/221  
52/309.9
- D429,532 S 8/2000 Siudzinski et al.  
D438,643 S \* 3/2001 Hauberg ..... D25/124  
D451,211 S \* 11/2001 Hauberg ..... D25/124  
D453,381 S \* 2/2002 Ballard ..... D25/124

- D453,841 S \* 2/2002 Hauberg ..... D25/124  
D454,212 S \* 3/2002 Ballard ..... D25/124  
D461,255 S \* 8/2002 Ballard ..... D25/124  
D461,915 S 8/2002 Ballard et al.  
D466,622 S \* 12/2002 Ballard ..... D25/124  
D467,012 S \* 12/2002 Ballard ..... D25/124  
D467,355 S \* 12/2002 Ballard ..... D25/124  
D468,455 S \* 1/2003 Morton ..... D25/124  
D495,808 S \* 9/2004 Habeck ..... D25/119  
D557,819 S 12/2007 Willman  
D557,820 S 12/2007 Willman  
D557,828 S 12/2007 Willman  
D572,376 S \* 7/2008 Morton ..... D25/124  
D578,661 S 10/2008 Chaney et al.  
7,596,912 B2 \* 10/2009 Ito ..... E06B 1/366  
403/187
- D630,344 S \* 1/2011 Stephens ..... D25/124  
D679,386 S 4/2013 Morton  
D691,739 S \* 10/2013 Wickland ..... D25/124  
D724,762 S \* 3/2015 Decicio ..... D25/124  
D726,937 S \* 4/2015 Campbell ..... D25/124  
D732,202 S \* 6/2015 Chaney ..... D25/124  
D732,706 S \* 6/2015 Campbell ..... D25/124  
D733,331 S \* 6/2015 DeCicio ..... D25/124

(Continued)

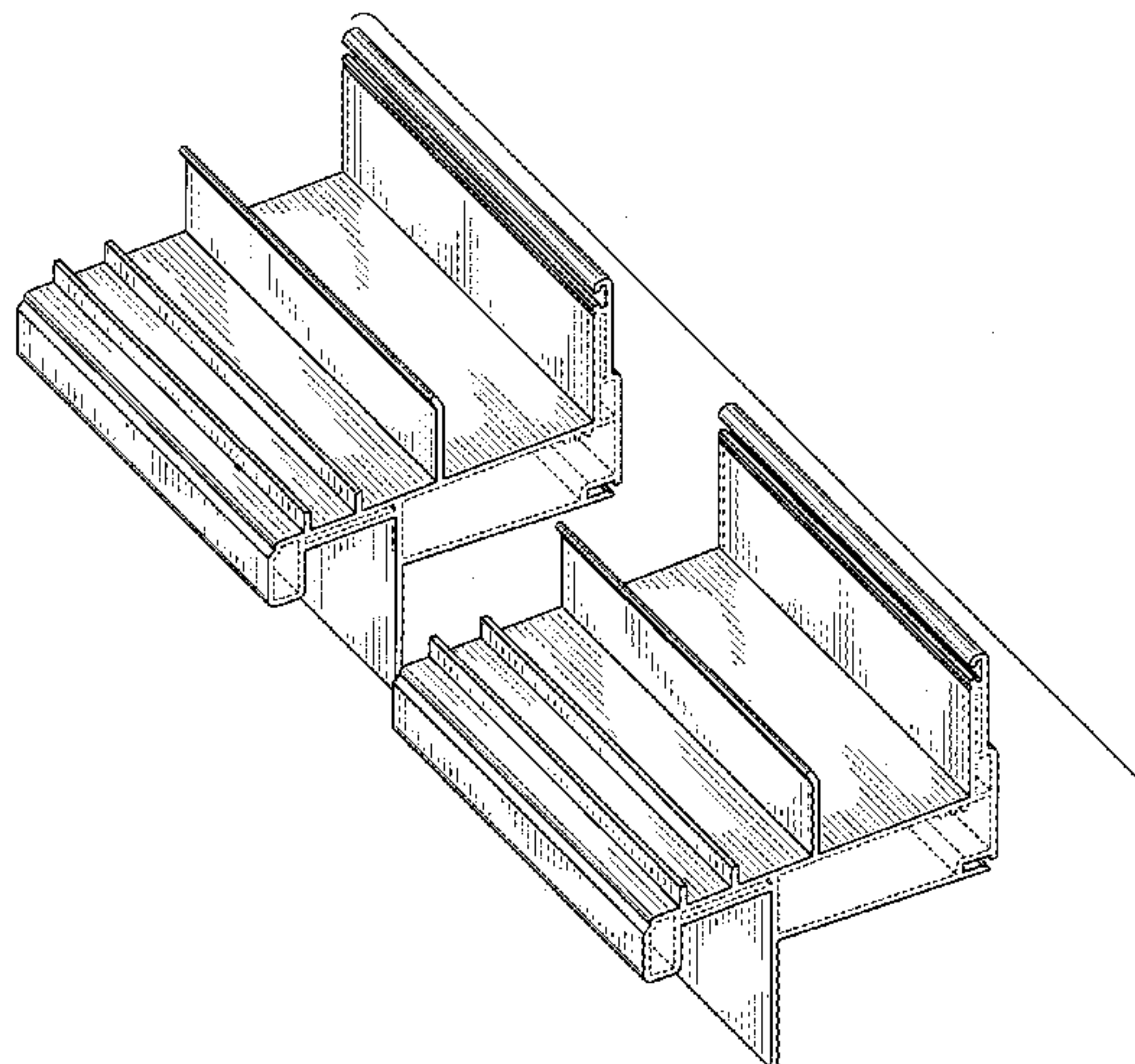
*Primary Examiner* — Cynthia Ramirez  
*Assistant Examiner* — Llorellys Martinez-Rivera  
 (74) *Attorney, Agent, or Firm* — Thompson Hine LLP

(57) **CLAIM**  
 The ornamental design for a window frame extrusion, as shown and described.

**DESCRIPTION**

FIG. 1 is a perspective view of a window frame extrusion showing our new design; and, FIG. 2 is an end elevational view thereof. The broken lines shown in FIGS. 1 and 2 illustrate portions of the window frame extrusion that form no part of the claimed design. The window frame extrusion is shown with a symbolic break in its length. The appearance of any portion of the window frame extrusion between the break lines forms no part of the claimed design.

**1 Claim, 1 Drawing Sheet**



# US D767,788 S

Page 2

---

(56)

## References Cited

### U.S. PATENT DOCUMENTS

D735,359 S \* 7/2015 Chaney ..... D25/124  
D735,894 S \* 8/2015 Campbell ..... D25/124  
D740,444 S \* 10/2015 Chaney ..... D25/124

D735,357 S \* 7/2015 Chaney ..... D25/124 \* cited by examiner

