



US00D767787S

(12) **United States Design Patent**  
**Molteni**

(10) **Patent No.:** **US D767,787 S**  
(45) **Date of Patent:** **\*\* Sep. 27, 2016**

(54) **EXTRUSION FOR FRAMES FOR AN EQUIPPED PANEL**

(71) Applicant: **UNIFOR S.p.A.**, Turate (Como) (IT)

(72) Inventor: **Piero Molteni**, Turate (IT)

(73) Assignee: **UNIFOR S.p.A.**, Turate (COMO) (IT)

(\*\*) Term: **14 Years**

(21) Appl. No.: **29/516,844**

(22) Filed: **Feb. 6, 2015**

(30) **Foreign Application Priority Data**

Aug. 7, 2014 (EM) ..... 002516526-0001

(51) **LOC (10) Cl.** ..... **25-01**

(52) **U.S. Cl.**  
USPC ..... **D25/124**

(58) **Field of Classification Search**

USPC ..... D25/38.1, 39, 40, 41.1, 43, 44, 55, 102,  
D25/117, 119-124, 126, 133, 136, 138, 141,  
D25/148, 160, 164; D20/42, 43, 44;  
D6/329, 675.2, 675.4, 675.5, 702,  
D6/709.2, 709.21, 711.1, 712, 831, 843;  
D8/395, 396; D34/35; 52/86, 88, 272,  
52/273, 285.3, 287.1, 831, 843;  
160/45-46, 48, 65, 66, 239, 240, 353,  
160/354, 368.1, 369, 371-372, 377  
CPC .. E06B 3/5454; E06B 3/66366; E06B 3/667;  
E06B 2003/66395; E06B 2003/6258  
See application file for complete search history.

(56) **References Cited**

U.S. PATENT DOCUMENTS

1,586,053 A \* 5/1926 Snyder ..... E04C 3/06  
D25/121  
D177,034 S \* 3/1956 Fridolph ..... D25/121

D352,790 S \* 11/1994 Gullblom ..... D25/121  
D402,049 S \* 12/1998 Goodchild ..... D25/122  
D552,269 S \* 10/2007 Vibiano ..... D25/164  
D552,270 S \* 10/2007 Vibiano ..... D25/164  
7,677,496 B2 \* 3/2010 Childs ..... B64C 3/182  
52/831  
2013/0219813 A1 \* 8/2013 Gadoury ..... E06B 1/045  
52/211  
2016/0040434 A1 \* 2/2016 Molteni ..... E04B 1/40  
52/506.05

\* cited by examiner

*Primary Examiner* — Cynthia Ramirez

*Assistant Examiner* — Llorellys Martinez-Rivera

(74) *Attorney, Agent, or Firm* — Thomas | Horstemeyer,  
LLP

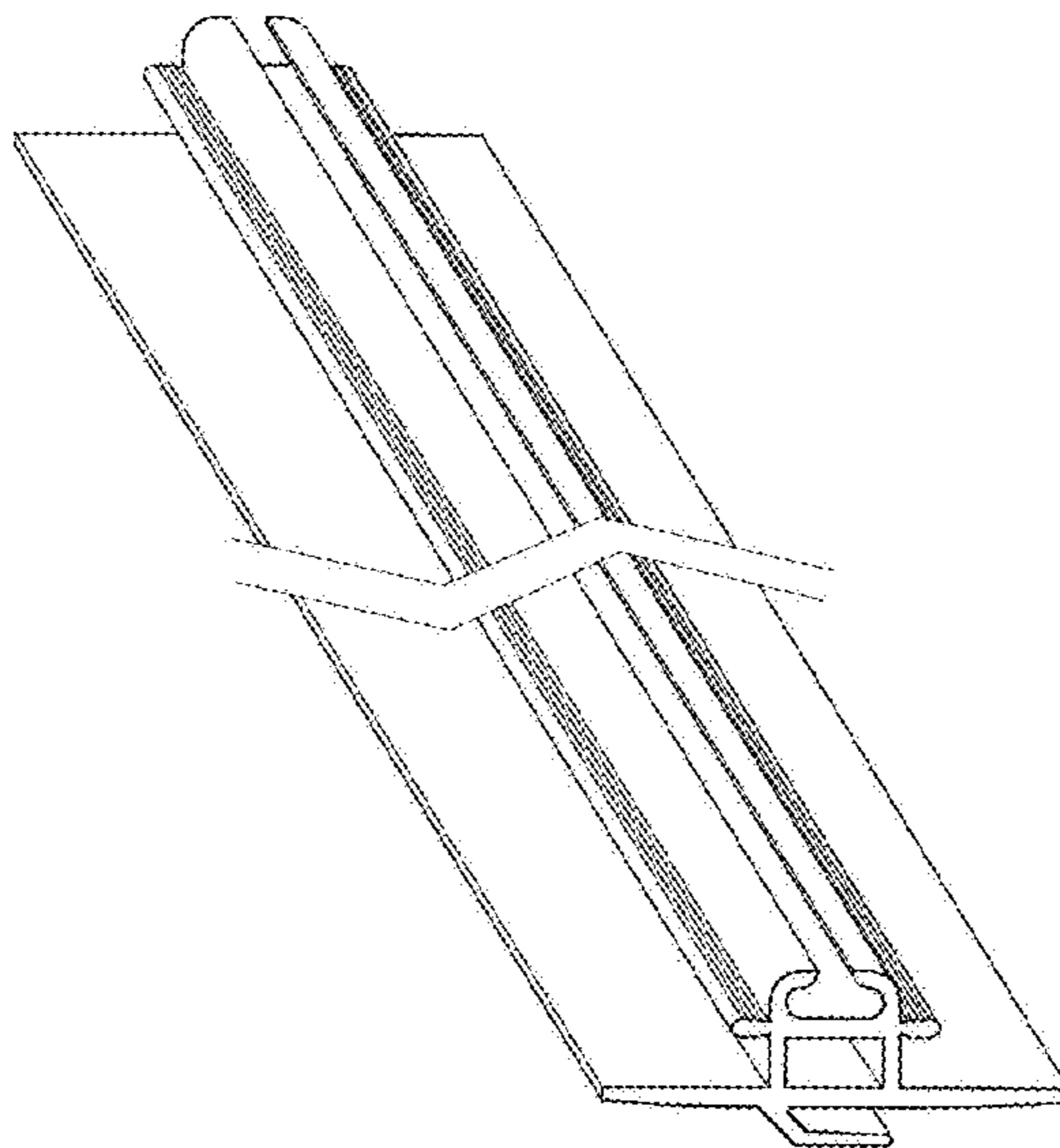
(57) **CLAIM**

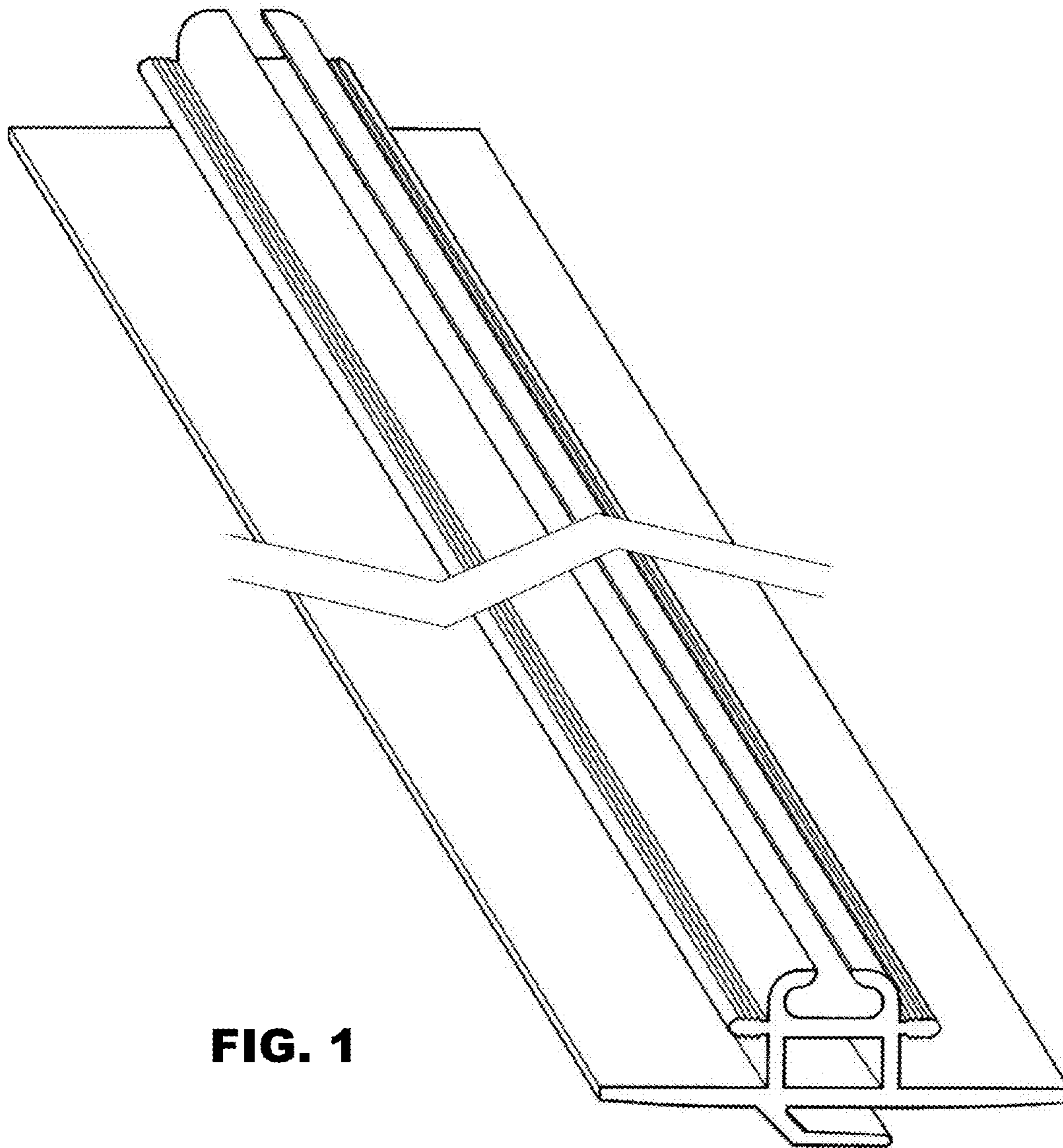
The ornamental design for an extrusion for frames for an equipped panel, as shown and described.

**DESCRIPTION**

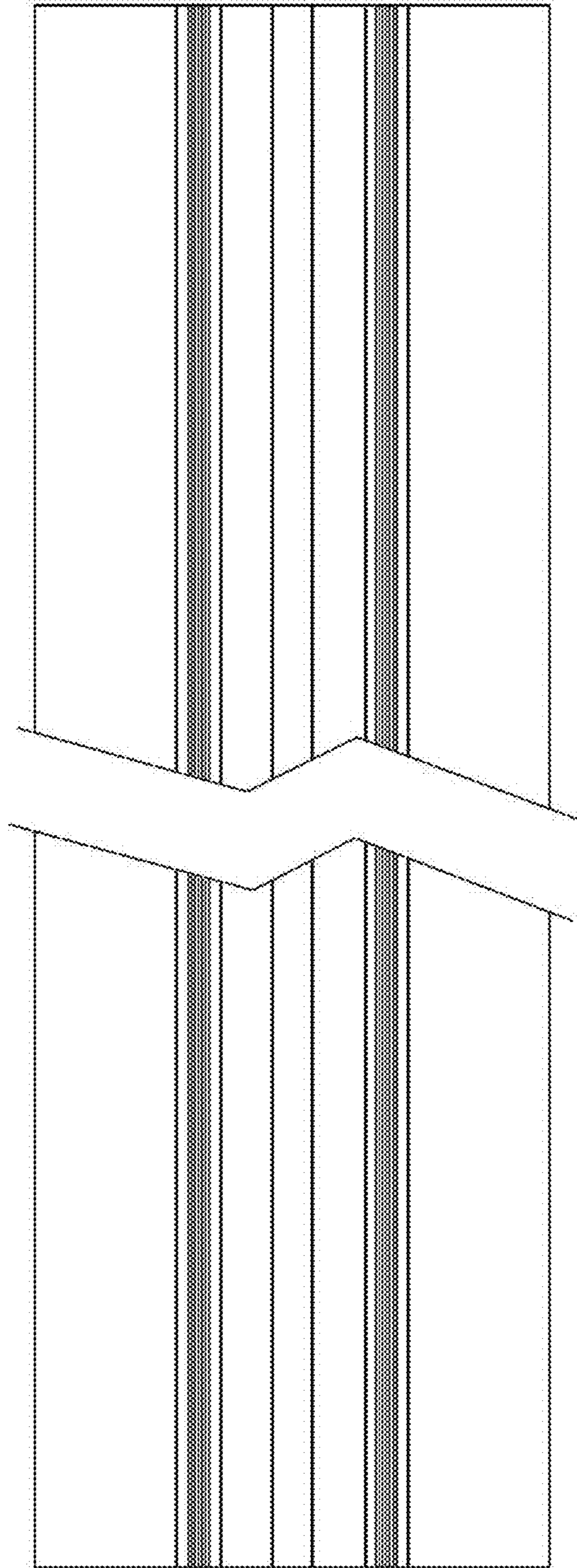
FIG. 1 is a perspective view of an extrusion for frames for an equipped panel showing my new design;  
FIG. 2 is a top plan view thereof;  
FIG. 3 is a bottom plan view thereof;  
FIG. 4 is an end elevation view thereof;  
FIG. 5 is an opposite end elevation view thereof;  
FIG. 6 is a side elevation view thereof; and,  
FIG. 7 is an opposite side elevation view thereof.  
The extrusion for frames for an equipped panel is shown with a symbolic break in its length. The appearance of any portion of the extrusion for frames for an equipped panel between the break lines forms no part of the claimed design.

**1 Claim, 7 Drawing Sheets**



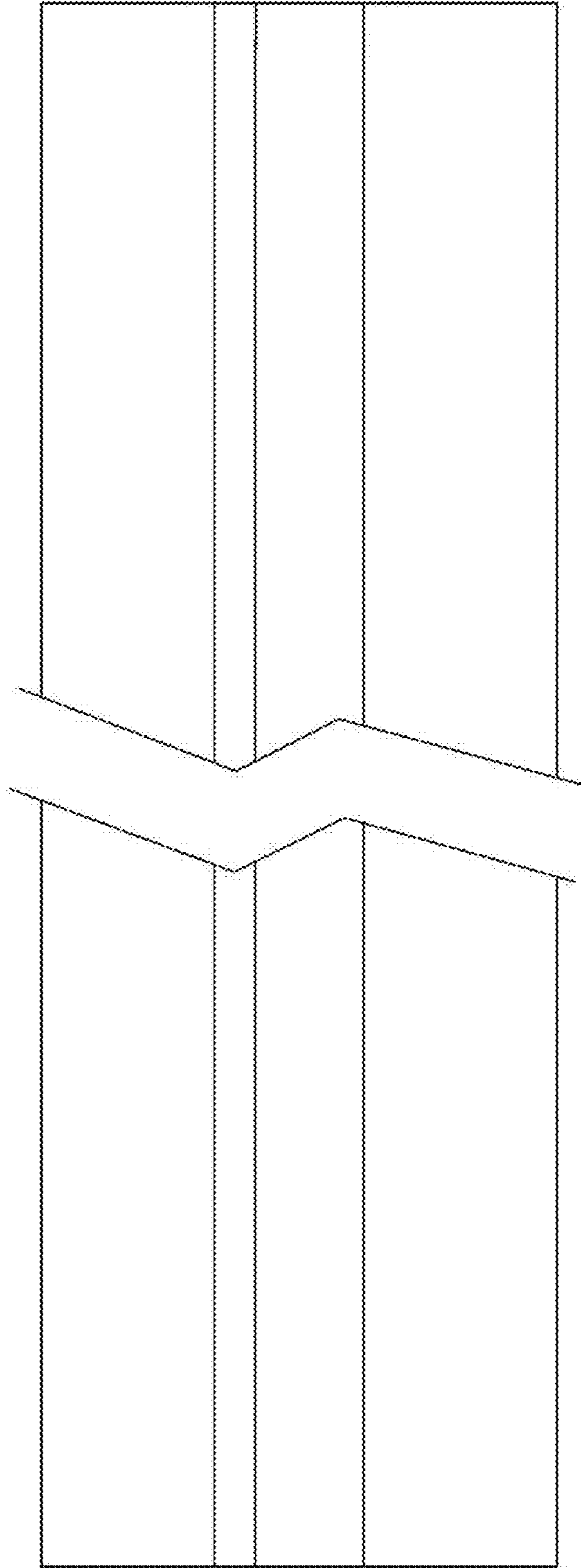


**FIG. 1**

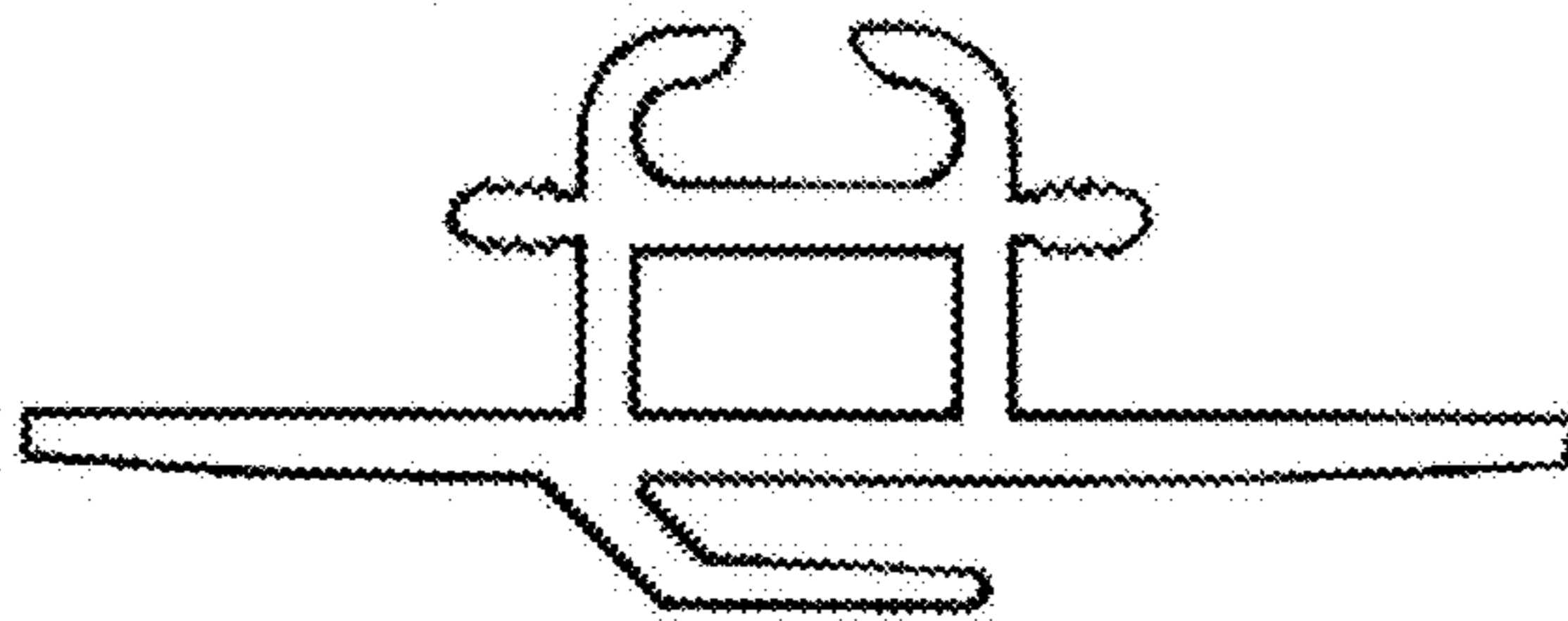


**FIG. 2**

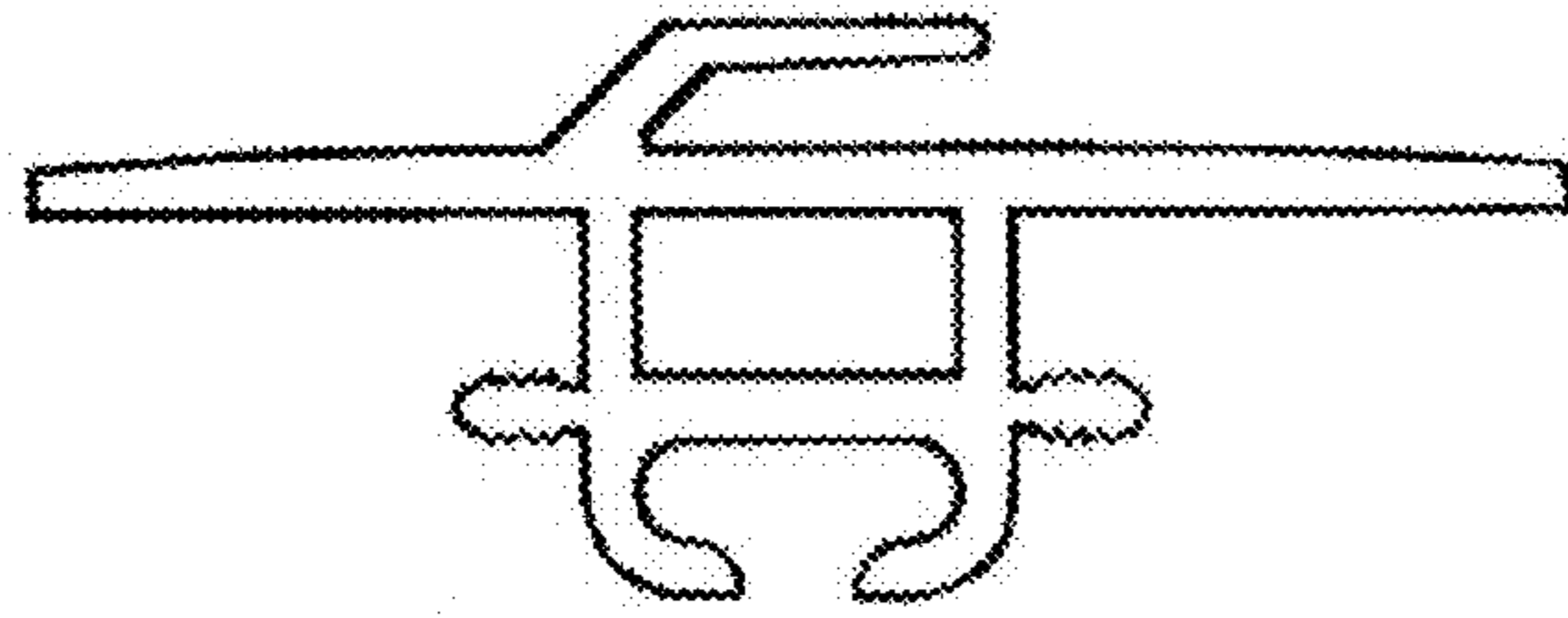




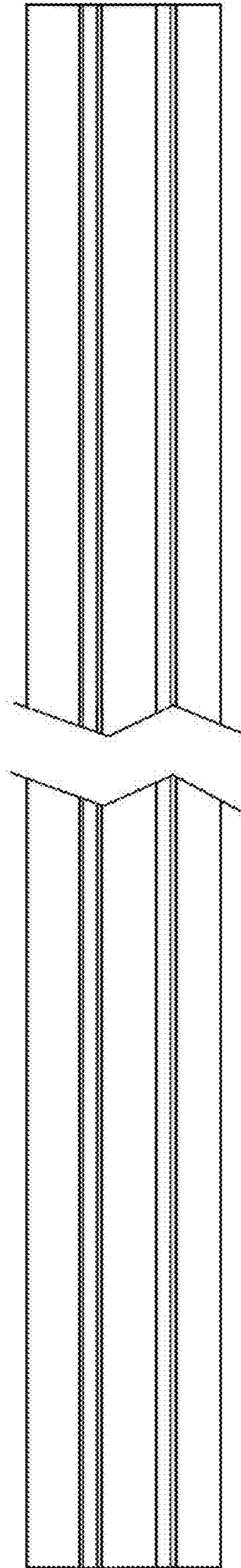
**FIG. 3**



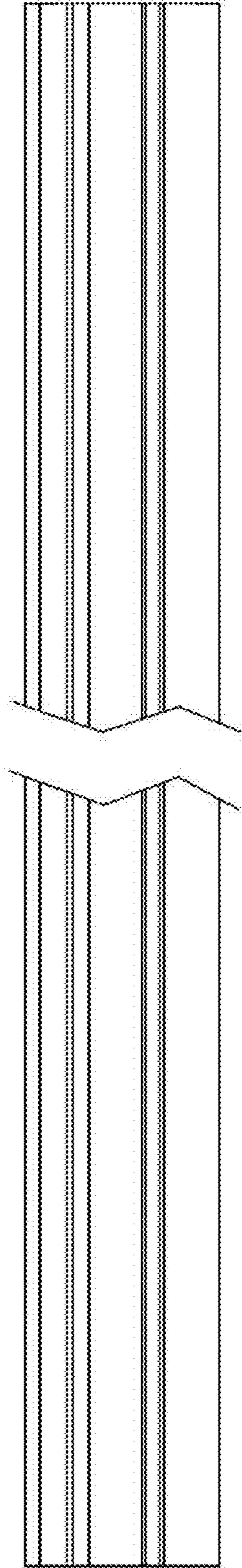
**FIG. 4**



**FIG. 5**



**FIG. 6**



**FIG. 7**