



US00D767786S

(12) **United States Design Patent** (10) **Patent No.:** **US D767,786 S**
Smith (45) **Date of Patent:** **** Sep. 27, 2016**

(54) **WALL PANEL EDGE TRIM**
(71) Applicant: **Cottonwood Metals, Inc.**, Bohemia, NY (US)
(72) Inventor: **Christopher Smith**, Nesconset, NY (US)
(73) Assignee: **Cottonwood Metals, Inc.**, Bohemia, NY (US)

8,042,310 B2 10/2011 Hikai
D672,058 S * 12/2012 Yoder D25/119

(Continued)

FOREIGN PATENT DOCUMENTS

DE 102011014030 B4 8/2013
JP 03156933 U 1/2010

OTHER PUBLICATIONS

Monarch's Easy Wall Panel System, posted at monarchmetal.com, posting on Jul. 29, 2014, [online], © 2015 Monarch Metal Fabrication, [site visited Dec. 17, 2015]. Available from Internet, <URL: <http://www.monarchmetal.com/products/easy-wall-panel-system/>>.*

(Continued)

Primary Examiner — Manpreet Matharu
Assistant Examiner — Aula Soroush
(74) *Attorney, Agent, or Firm* — Fish & Richardson P.C.

(**) Term: **14 Years**
(21) Appl. No.: **29/514,437**
(22) Filed: **Jan. 13, 2015**
(51) **LOC (10) Cl.** **25-01**
(52) **U.S. Cl.**
USPC **D25/119**
(58) **Field of Classification Search**
USPC D25/48.2, 48.3, 48.4, 120–124, 136,
D25/137, 164; 52/288.1, 718.15, 11–15,
52/94–96
CPC E04F 13/06; E04F 11/1804; E04F
2013/065; E04D 13/0459
See application file for complete search history.

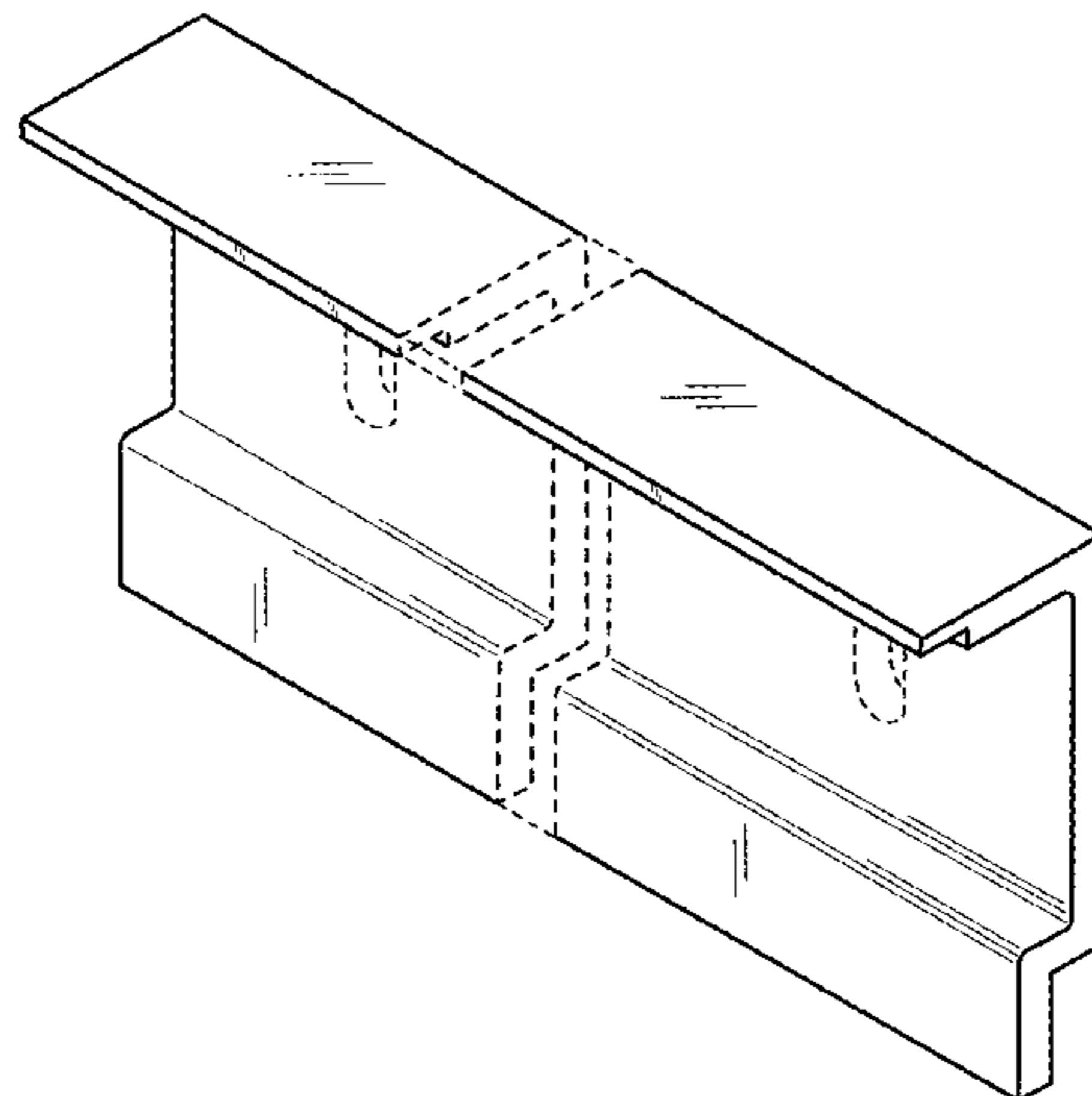
(57) **CLAIM**
The ornamental design for a wall panel edge trim, substantially as shown and described.

DESCRIPTION

FIG. 1 is a front perspective view of a wall panel edge trim according to our new design
FIG. 2 is a left side elevation view thereof;
FIG. 3 is a right side elevation view thereof;
FIG. 4 is a front elevation view thereof;
FIG. 5 is a back elevation view thereof;
FIG. 6 is a top plan view thereof; and,
FIG. 7 is a bottom plan view thereof.
The broken lines in the drawings illustrate portions of the wall panel edge trim that form no part of the claimed design. The wall panel edge trim is shown with a symbolic break in its length. The appearance of any portion of the wall panel edge trim between the break lines forms no part of the claimed design.

1 Claim, 3 Drawing Sheets

(56) **References Cited**
U.S. PATENT DOCUMENTS
3,444,657 A * 5/1969 Swanson E04F 19/022
52/287.1
3,485,001 A * 12/1969 Miller E04B 2/76
52/281
4,607,471 A 8/1986 Olsen
4,624,087 A * 11/1986 Schneller E04D 13/15
52/254
5,265,396 A 11/1993 Amimoto
5,379,561 A 1/1995 Saito
5,544,461 A 8/1996 Sommerstein
D397,810 S * 9/1998 Basset D25/199
5,960,598 A * 10/1999 Tamlyn E04F 13/0864
52/254
6,098,364 A 8/2000 Liu
6,470,638 B1 * 10/2002 Larson E04B 1/765
52/254



(56)

References Cited

U.S. PATENT DOCUMENTS

8,365,481 B2 2/2013 Scully
 D679,418 S * 4/2013 Nolan D25/119
 D684,280 S * 6/2013 Moore D25/199
 8,453,388 B2 6/2013 Neuhofer
 D693,483 S * 11/2013 Krieger D25/119
 D694,432 S * 11/2013 Krieger D25/119
 D695,421 S * 12/2013 Krieger D25/119
 D700,717 S * 3/2014 Campacci D25/119
 D702,860 S * 4/2014 Rice D25/119
 D711,021 S * 8/2014 Singh D25/119
 D711,022 S * 8/2014 Singh D25/119
 D711,552 S * 8/2014 Singh D25/119
 D711,553 S * 8/2014 Singh D25/119
 D711,554 S * 8/2014 Singh D25/119
 D711,555 S * 8/2014 Singh D25/119
 D711,556 S * 8/2014 Singh D25/119
 8,806,826 B2 8/2014 Mann
 D718,876 S * 12/2014 Smedberg D25/119
 D720,473 S * 12/2014 Knox D25/119
 2006/0179747 A1 * 8/2006 Creech E04D 13/1478
 52/302.1

2006/0254171 A1 11/2006 Bostock
 2009/0031640 A1 * 2/2009 Elmes E04D 13/02
 52/60
 2010/0180517 A1 * 7/2010 Perrot, Jr. E04D 13/155
 52/60
 2012/0304573 A1 12/2012 Aboukhalil
 2013/0055651 A1 * 3/2013 Garcia E04D 13/15
 52/58
 2014/0150614 A1 6/2014 Aboukhalil
 2014/0290166 A1 10/2014 Bordener

OTHER PUBLICATIONS

'Wallpanelsystems.net' [online]. "Bottom Edge Detail," Jan. 2012
 [Retrieved on Jan. 9, 2015]; Retrieved from the Internet
 URL: < <http://wallpanelsystems.net/assets/A-SHA-101-Bottom-Edge.pdf> >. 1 page.
 'Marlite.com' [online]. Surface Systems, Map Systems (Mechanically Applied Panel System), Installation Instructions and Details, Sep. 2006, [Retrieved on Jan. 9, 2015]; Retrieved from the Internet
 URL:< <http://marlite.com/assets/TechDetails/SS%20MAP%20System%20Installation.pdf> >, 10 pages.

* cited by examiner

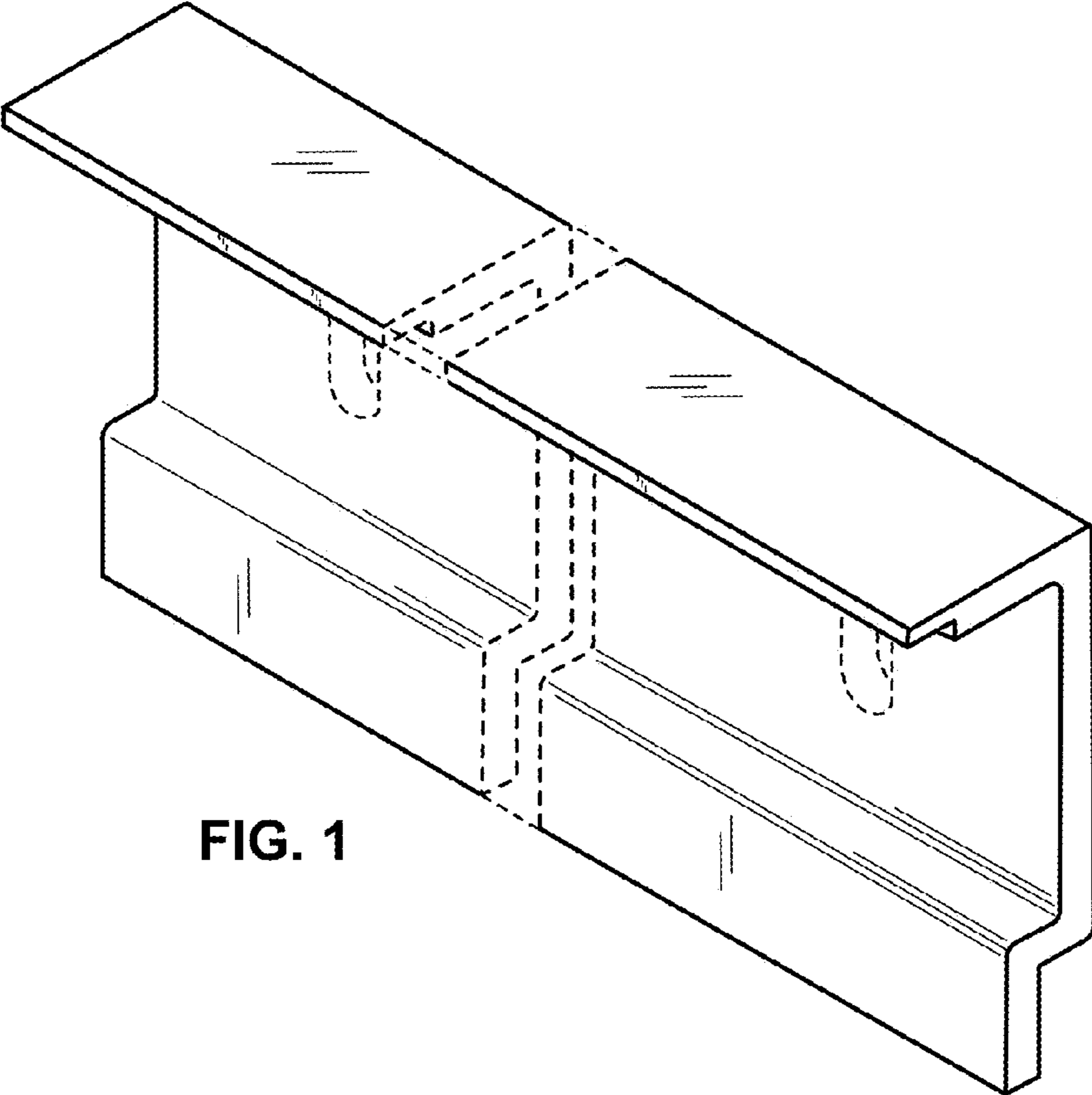


FIG. 1

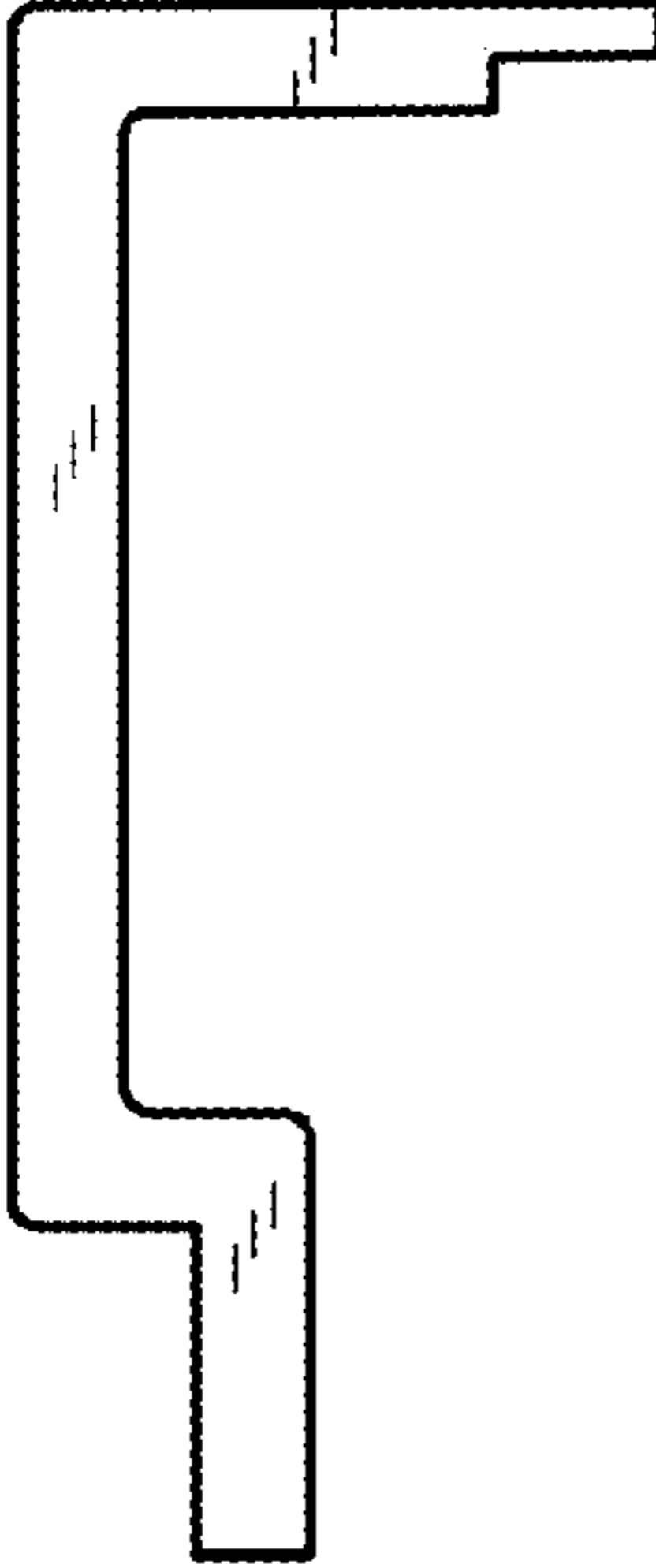


FIG. 2

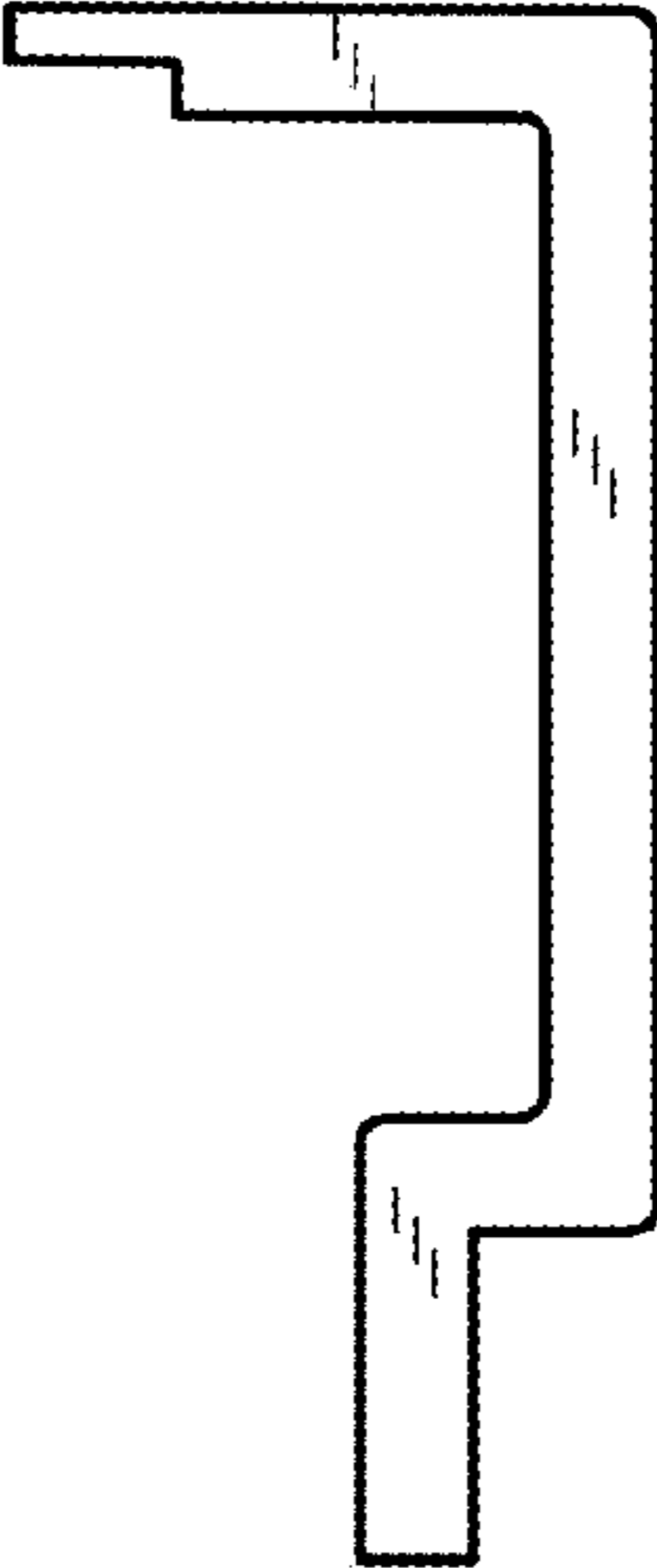


FIG. 3

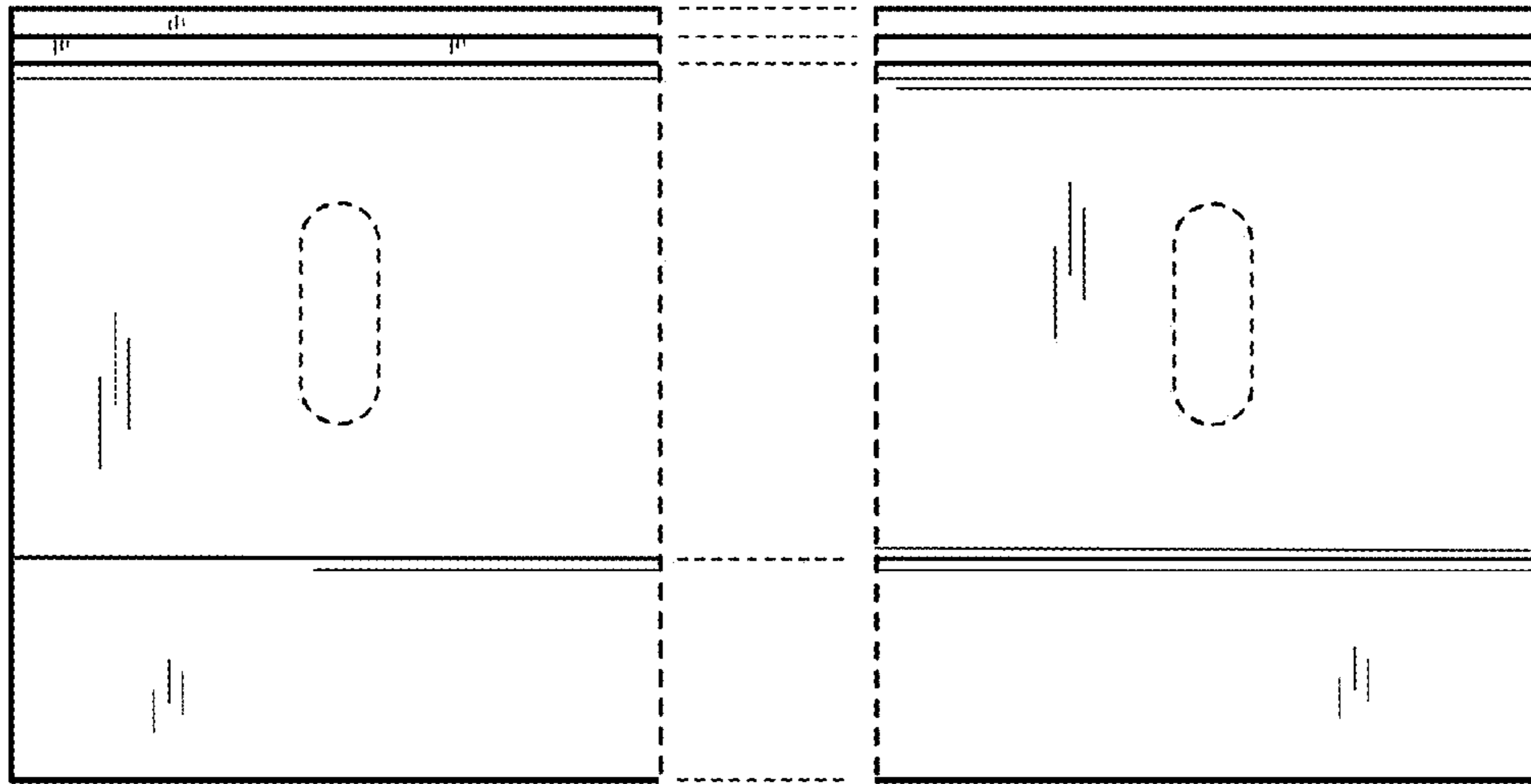


FIG. 4

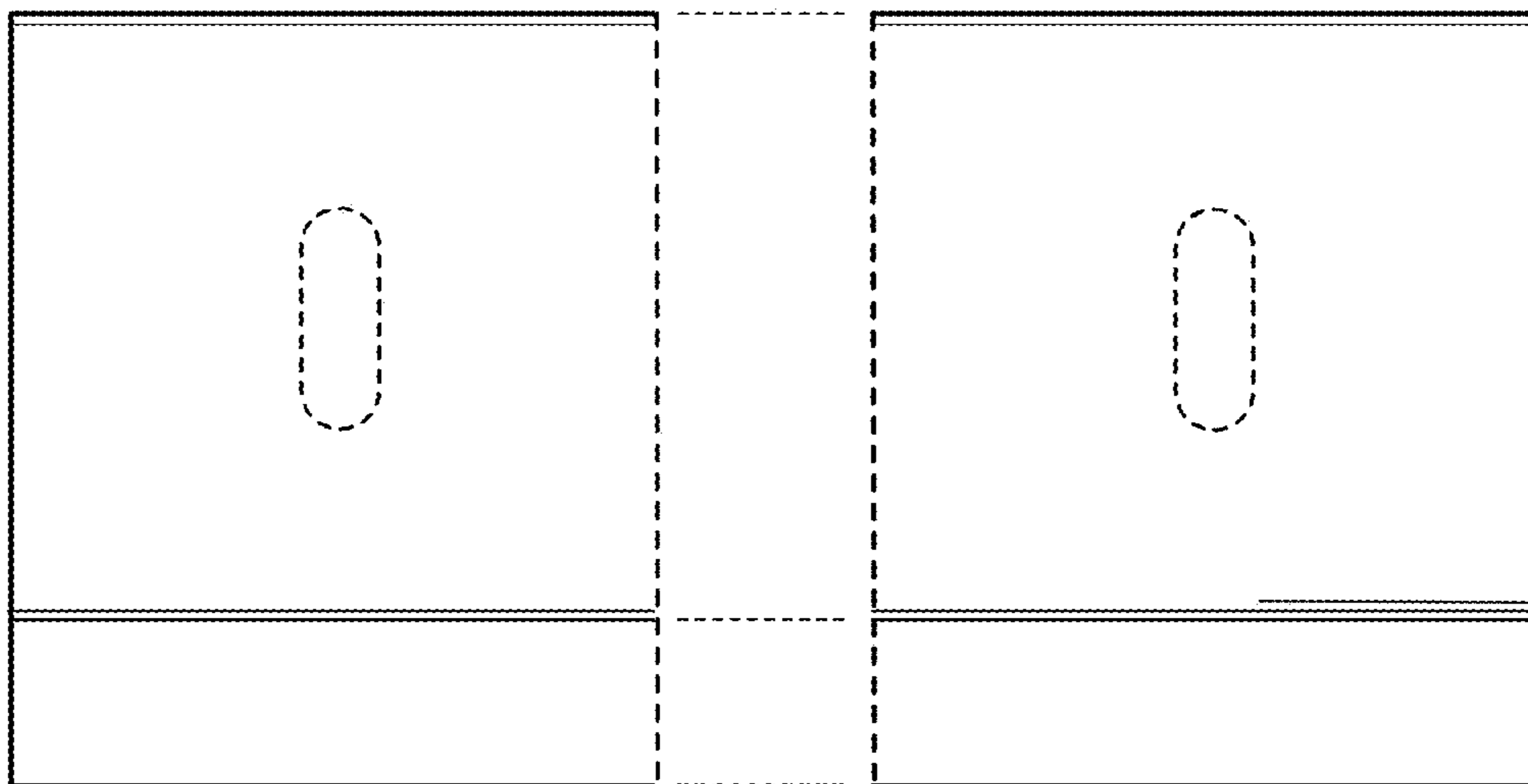


FIG. 5

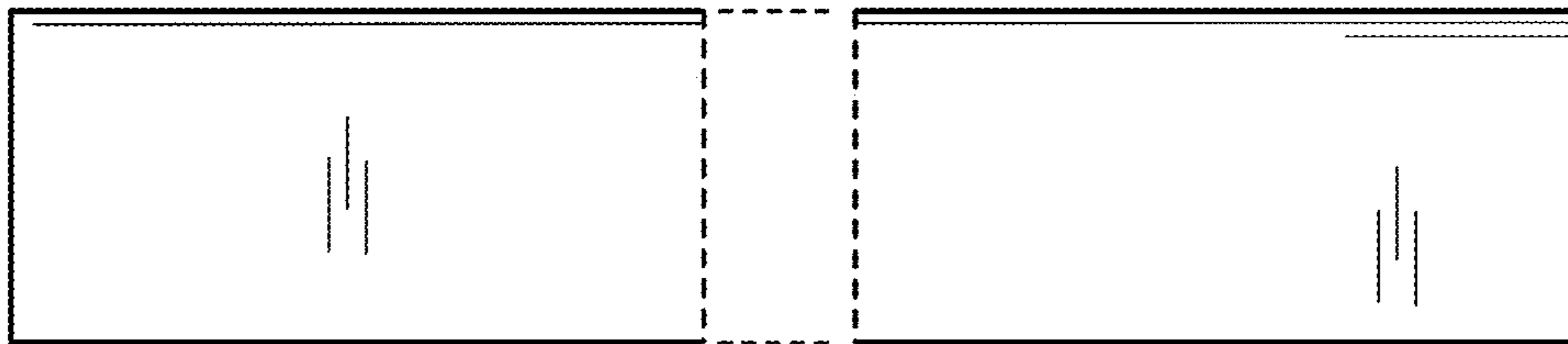


FIG. 6

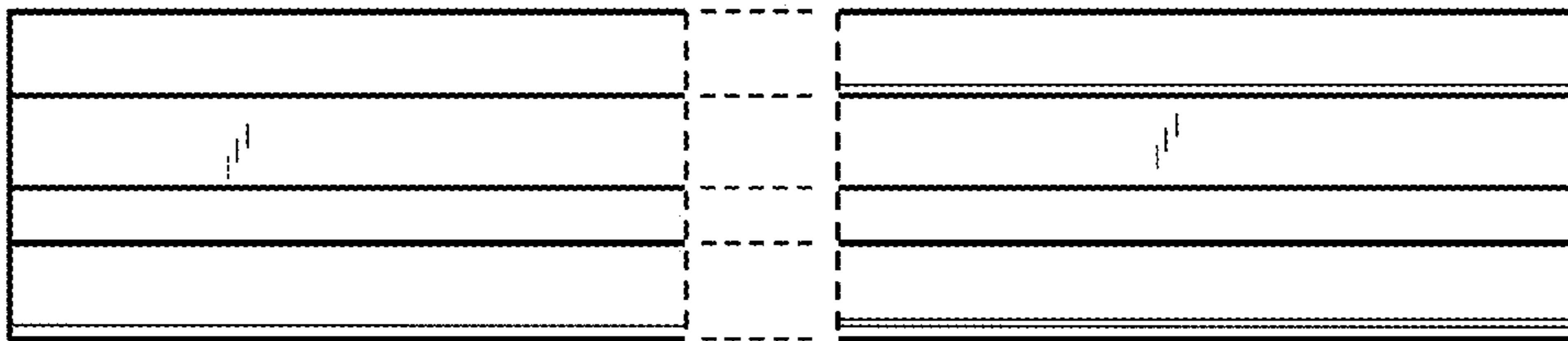


FIG. 7