

US00D767785S

(12) **United States Design Patent** (10) **Patent No.:** **US D767,785 S**  
**Smith** (45) **Date of Patent:** **\*\* \*Sep. 27, 2016**

(54) **WALL PANEL EDGE TRIM**

FOREIGN PATENT DOCUMENTS

(71) Applicant: **Cottonwood Metals, Inc.**, Bohemia, NY (US)

DE 102011014030 B4 8/2013  
JP 03126933 B2 1/2001

(72) Inventor: **Christopher Smith**, Nesconset, NY (US)

OTHER PUBLICATIONS

(73) Assignee: **Cottonwood Metals, Inc.**, Bohemia, NY (US)

Monarch's Easy Wall Panel System, posted at monarchmetal.com, posting on Jul. 29, 2014, [online], © 2015 Monarch Metal Fabrication, [site visited Dec. 17, 2015]. Available from Internet, <URL: <http://www.monarchmetal.com/products/easy-wall-panel-system/>>.\*

(\*) Notice: This patent is subject to a terminal disclaimer.

(Continued)

(\*\*) Term: **14 Years**

*Primary Examiner* — Manpreet Matharu

(21) Appl. No.: **29/514,431**

*Assistant Examiner* — Aula Soroush

(22) Filed: **Jan. 13, 2015**

(74) *Attorney, Agent, or Firm* — Fish & Richardson P.C.

(51) **LOC (10) Cl.** ..... **25-01**

(52) **U.S. Cl.**  
USPC ..... **D25/119**

(58) **Field of Classification Search**  
USPC ..... D25/48.2, 48.3, 48.4, 120–124, 136,  
D25/137, 164; 52/288.1, 718.15, 11–15,  
52/94–96

(57) **CLAIM**

The ornamental design for a wall panel edge trim, substantially as shown and described.

CPC ..... E04F 13/06; E04F 11/1804; E04F  
2013/065; E04D 13/0459

**DESCRIPTION**

See application file for complete search history.

(56) **References Cited**

U.S. PATENT DOCUMENTS

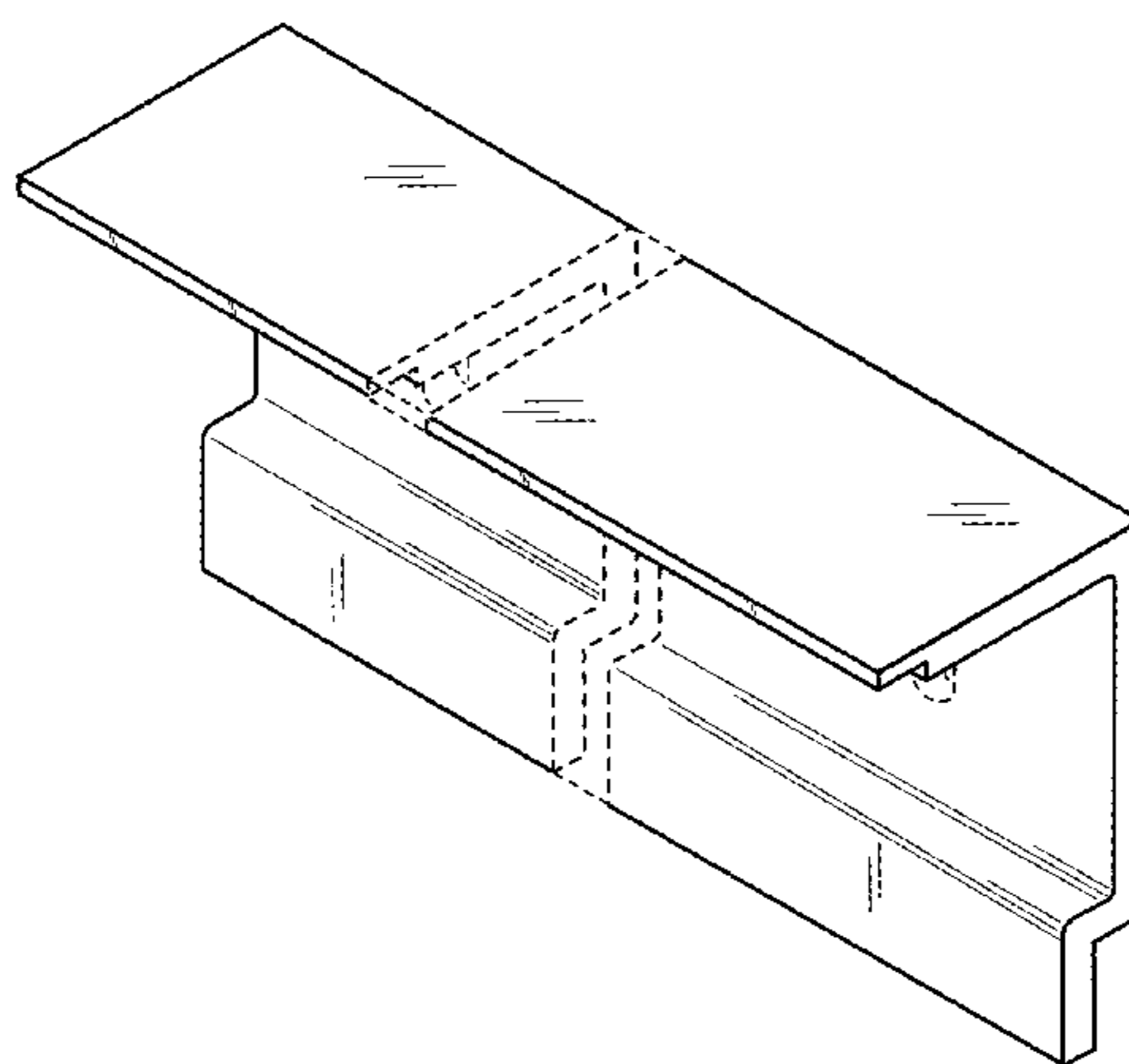
3,444,657 A \* 5/1969 Swanson ..... E04F 19/022  
52/287.1  
3,485,001 A \* 12/1969 Miller ..... E04B 2/76  
52/281  
4,607,471 A 8/1986 Olsen  
4,624,087 A \* 11/1986 Schneller ..... E04D 13/15  
52/254  
5,265,396 A 11/1993 Amimoto  
5,379,561 A 1/1995 Saito  
5,544,461 A 8/1996 Sommerstein  
D397,810 S \* 9/1998 Basset ..... D25/199  
5,960,598 A \* 10/1999 Tamlyn ..... E04F 13/0864  
52/254

FIG. 1 is a front perspective view of a wall panel edge trim according to our new design;  
FIG. 2 is a left side elevation view thereof;  
FIG. 3 is a right side elevation view thereof;  
FIG. 4 is a front elevation view thereof;  
FIG. 5 is a back elevation view thereof;  
FIG. 6 is a top plan view thereof; and,  
FIG. 7 is a bottom plan view thereof.

The nominal cross-section outline of the wall panel edge trim is constant along its length. The broken lines in the drawings illustrate portions of the wall panel edge trim that form no part of the claimed design. The wall panel edge trim is shown with a symbolic break in its length. The appearance of any portion of the wall panel edge trim between the break lines forms no part of the claimed design.

(Continued)

**1 Claim, 3 Drawing Sheets**



(56)

References Cited

U.S. PATENT DOCUMENTS

6,098,364 A 8/2000 Liu  
 6,470,638 B1 \* 10/2002 Larson ..... E04B 1/765  
 52/254  
 8,042,310 B2 10/2011 Hikai  
 D672,058 S \* 12/2012 Yoder ..... D25/119  
 8,365,481 B2 2/2013 Scully  
 D679,418 S \* 4/2013 Nolan ..... D25/119  
 D684,280 S \* 6/2013 Moore ..... D25/199  
 8,453,388 B2 6/2013 Neuhofer  
 D693,483 S \* 11/2013 Krieger ..... D25/119  
 D694,432 S \* 11/2013 Krieger ..... D25/119  
 D695,421 S \* 12/2013 Krieger ..... D25/119  
 D700,717 S \* 3/2014 Campacci ..... D25/119  
 D702,860 S \* 4/2014 Rice ..... D25/119  
 D711,021 S \* 8/2014 Singh ..... D25/119  
 D711,022 S \* 8/2014 Singh ..... D25/119  
 D711,552 S \* 8/2014 Singh ..... D25/119  
 D711,553 S \* 8/2014 Singh ..... D25/119  
 D711,554 S \* 8/2014 Singh ..... D25/119  
 D711,555 S \* 8/2014 Singh ..... D25/119  
 D711,556 S \* 8/2014 Singh ..... D25/119  
 8,806,826 B2 8/2014 Mann  
 D718,876 S \* 12/2014 Smedberg ..... D25/119

D720,473 S \* 12/2014 Knox ..... D25/119  
 2006/0179747 A1 \* 8/2006 Creech ..... E04D 13/1478  
 52/302.1  
 2006/0254171 A1 11/2006 Bostock  
 2009/0031640 A1 \* 2/2009 Elmes ..... E04D 13/02  
 52/60  
 2010/0180517 A1 \* 7/2010 Perrot, Jr. .... E04D 13/155  
 52/60  
 2012/0304573 A1 12/2012 Aboukhalil  
 2013/0055651 A1 \* 3/2013 Garcia ..... E04D 13/15  
 52/58  
 2014/0150614 A1 6/2014 Aboukhalil  
 2014/0290166 A1 10/2014 Bordener

OTHER PUBLICATIONS

'Wallpanelsystems.net' [online]. "Bottom Edge Detail," Jan. 2012  
 [Retrieved on Jan. 9, 2015]; Retrieved from the Internet URL: <  
<http://wallpanelsystems.net/assets/A-SHA-101-Bottom-Edge.pdf>  
 >. 1 page.  
 'Marlite.com' [online]. Surface Systems, Map Systems (Mechani-  
 cally Applied Panel System), Installation Instructions and Details,  
 Sep. 2006, [Retrieved on Jan. 9, 2015]; Retrieved from the Internet  
 URL:< [http://marlite.com/assets/TechDetails/  
 SS%20MAP%20System%20Installation.pdf](http://marlite.com/assets/TechDetails/SS%20MAP%20System%20Installation.pdf) >, 10 pages.

\* cited by examiner

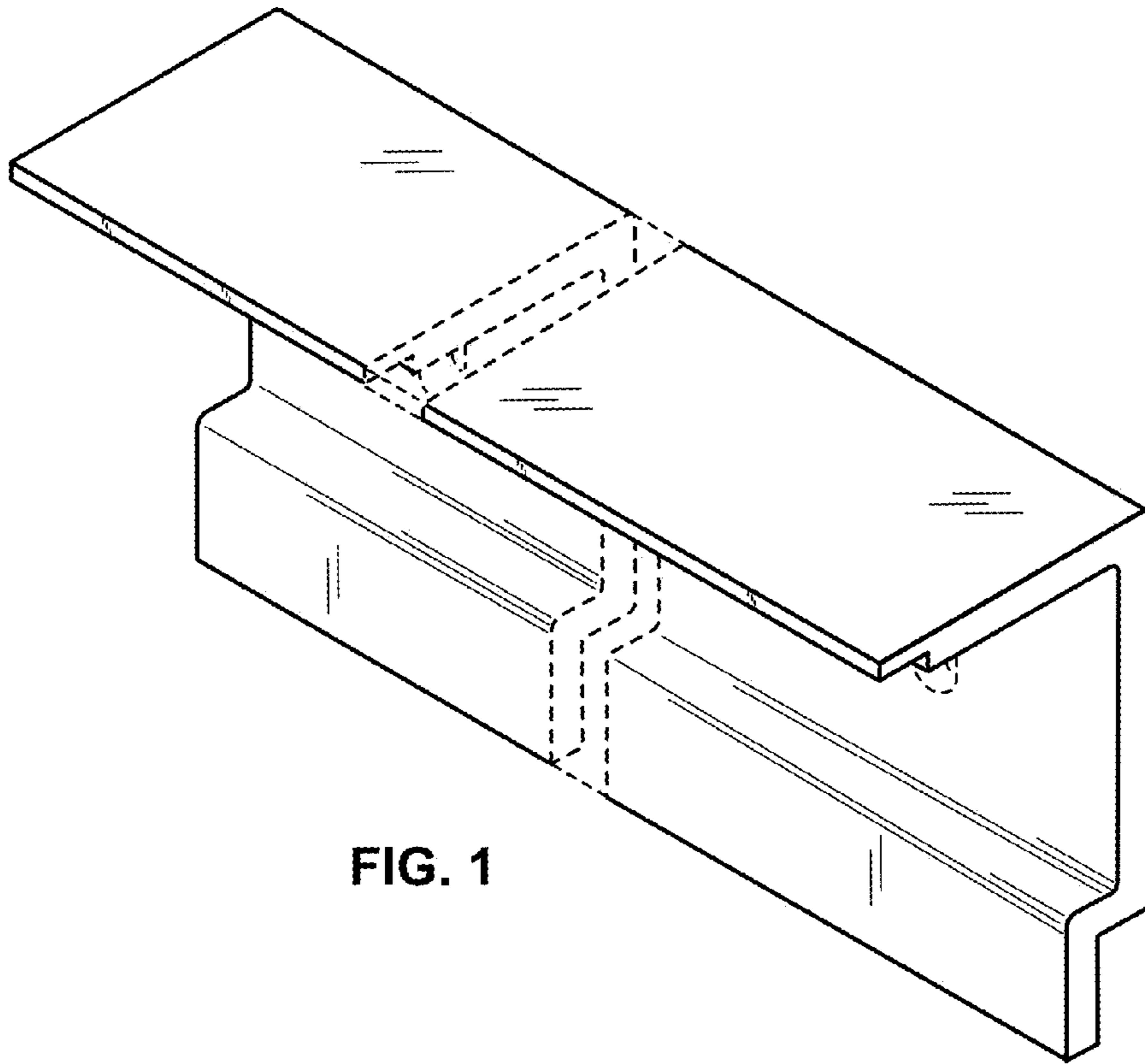


FIG. 1

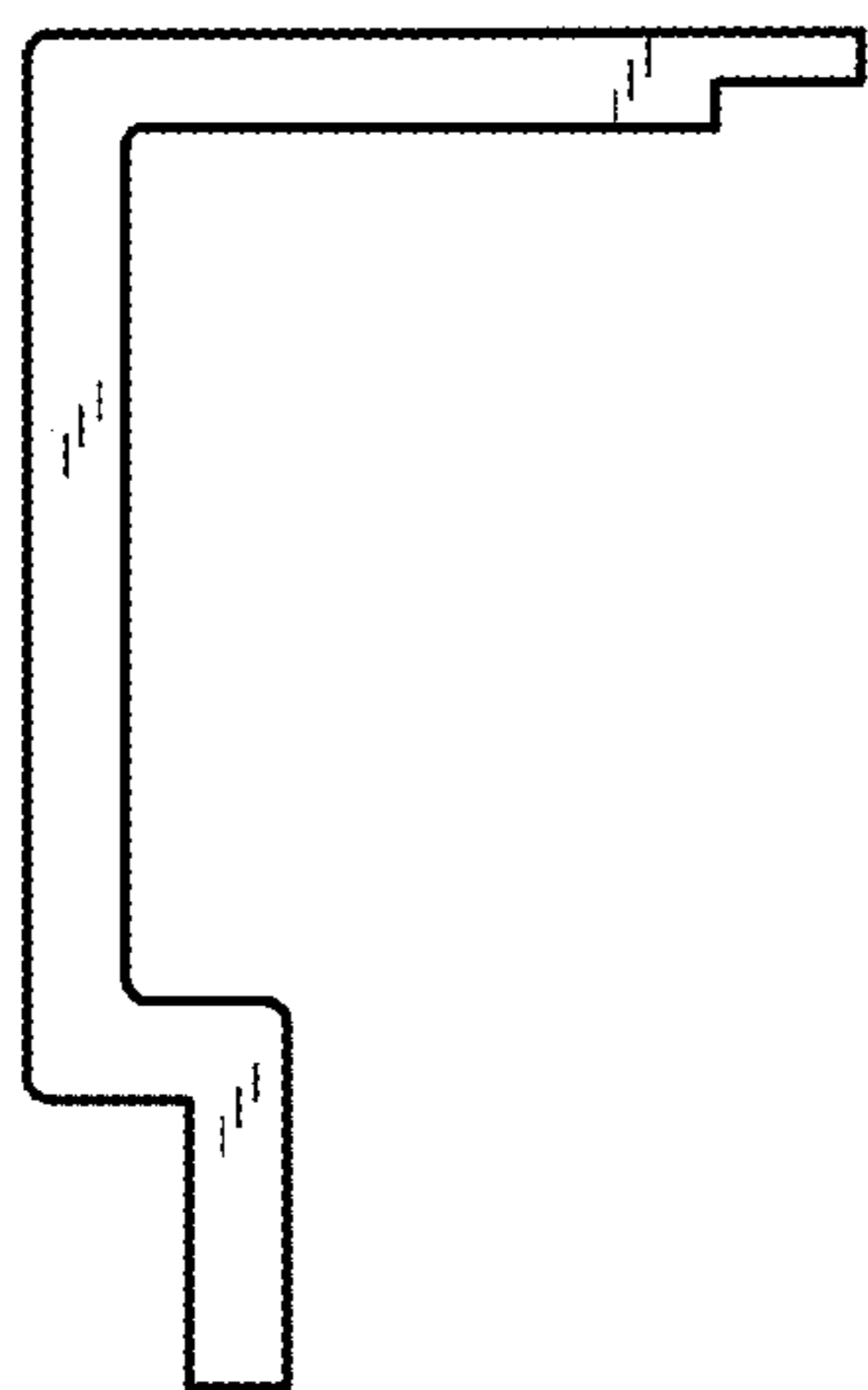


FIG. 2

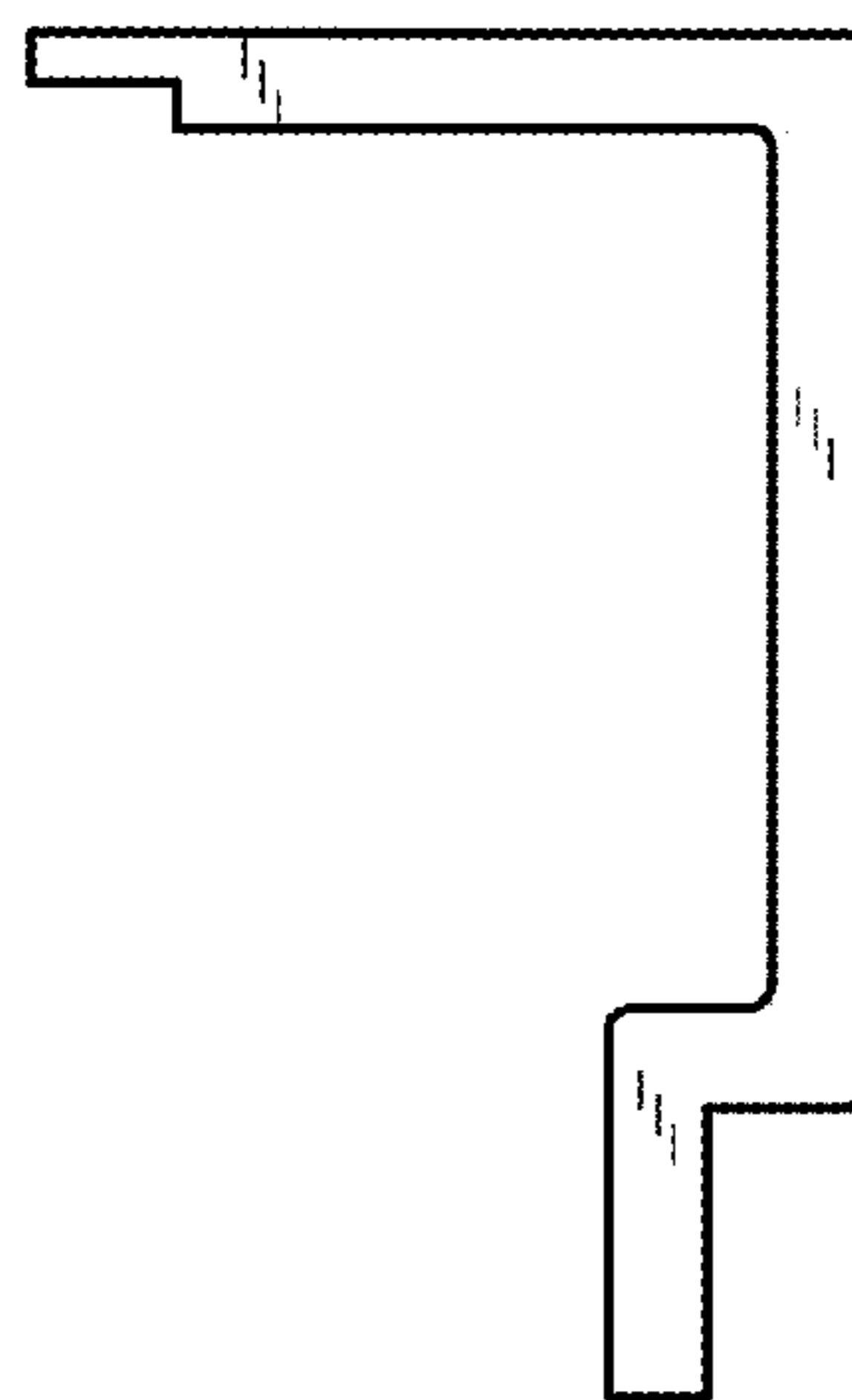


FIG. 3

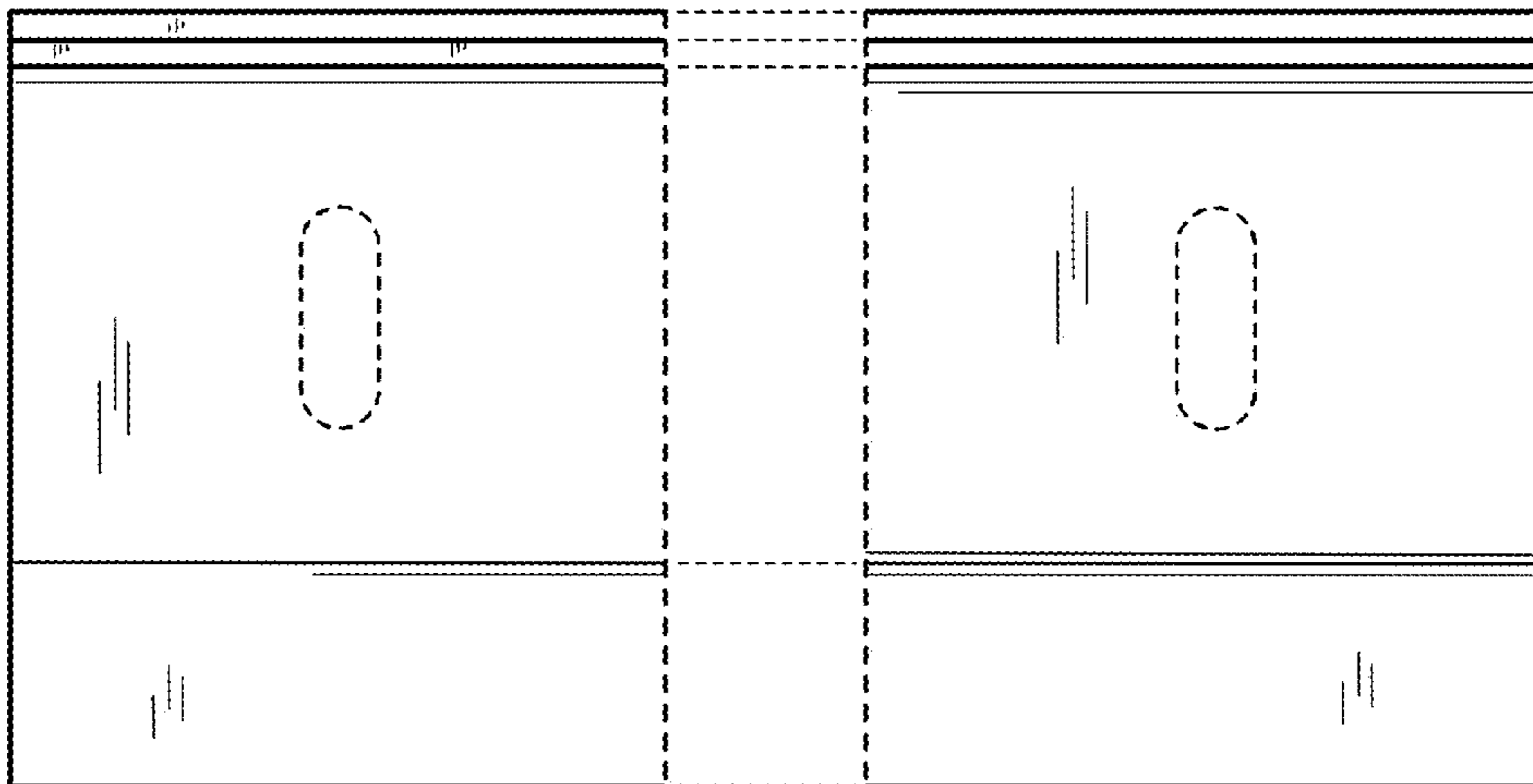


FIG. 4

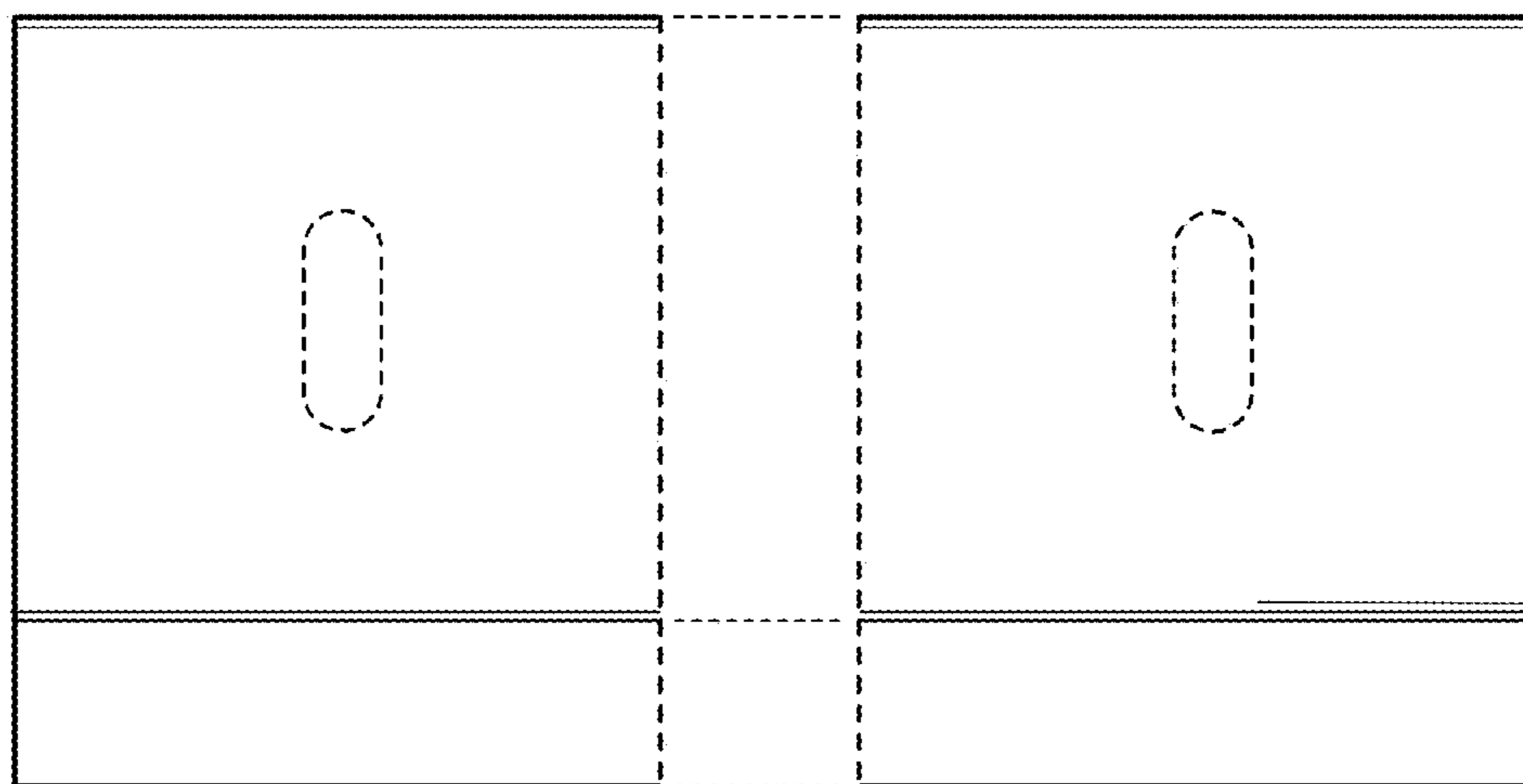


FIG. 5

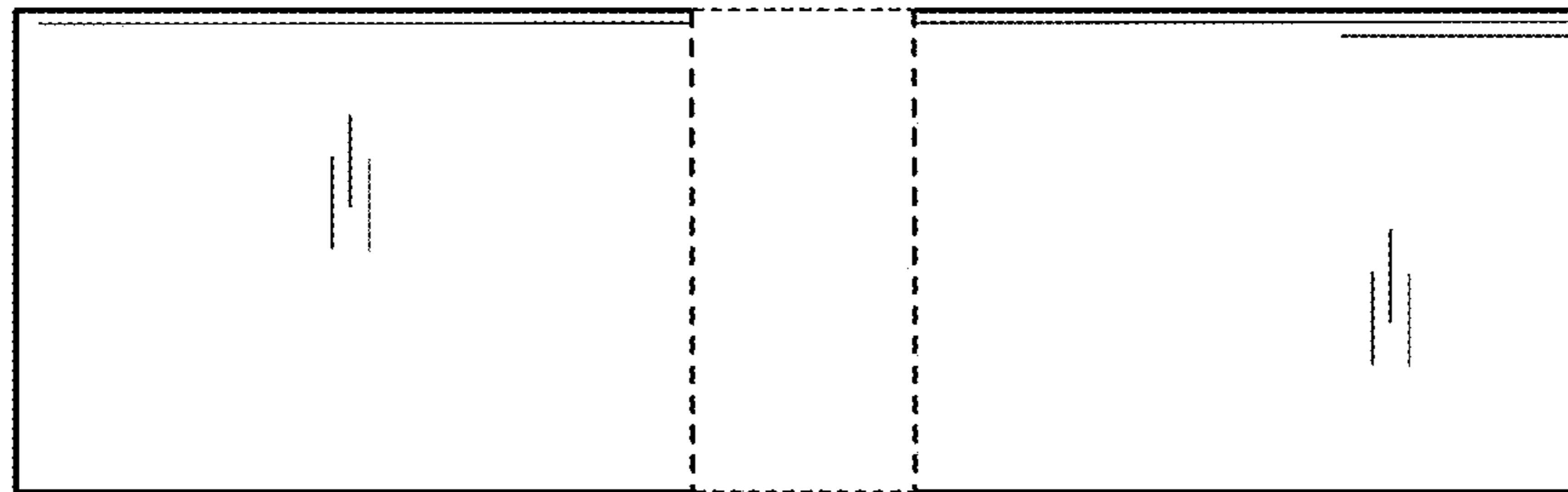


FIG. 6

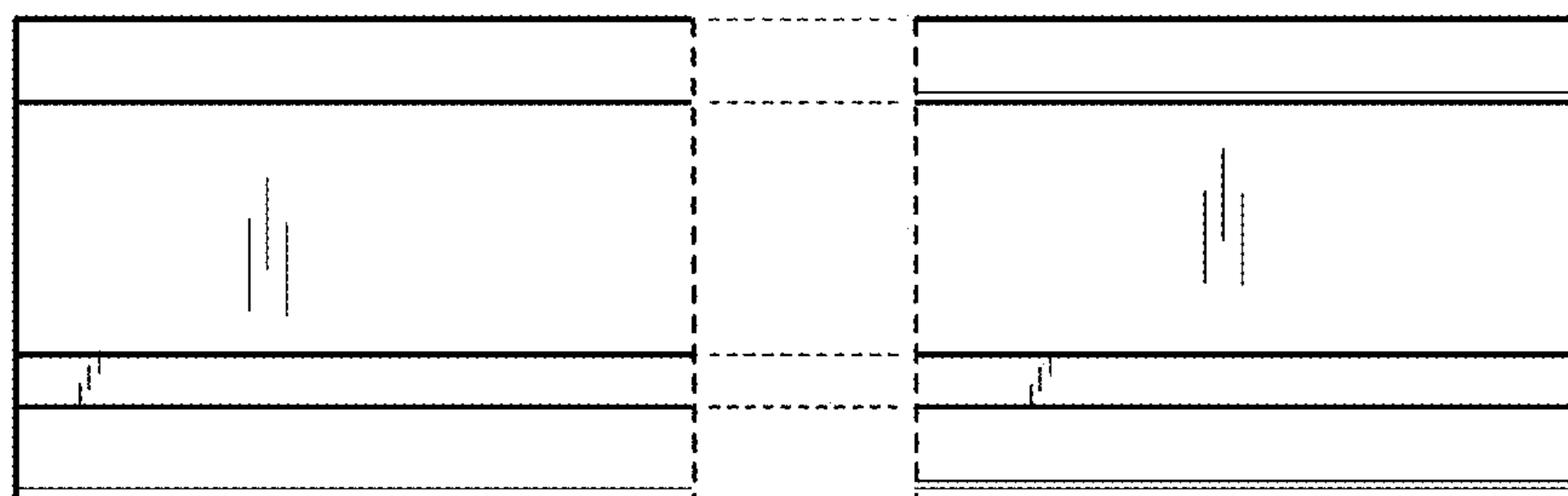


FIG. 7