



US00D767784S

(12) **United States Design Patent**  
**Kieffer et al.**

(10) **Patent No.:** **US D767,784 S**  
(45) **Date of Patent:** **\*\* Sep. 27, 2016**

(54) **HINGE FOR A TELESCOPING STEPLADDER**

**DESCRIPTION**

(71) Applicant: **Core Distribution, Inc.**, Minneapolis, MN (US)  
(72) Inventors: **Mitchell I. Kieffer**, Minneapolis, MN (US); **Nathan L. Schlueter**, Bloomington, MN (US); **Allen A. Caldwell**, Shakopee, MN (US)  
(73) Assignee: **Core Distribution, Inc.**, Minneapolis, MN (US)  
(\*\*) Term: **14 Years**  
(21) Appl. No.: **29/510,691**  
(22) Filed: **Dec. 2, 2014**  
(51) **LOC (10) Cl.** ..... **25-04**  
(52) **U.S. Cl.**  
USPC ..... **D25/68**  
(58) **Field of Classification Search**  
USPC ..... D25/62-69; 52/741.2, 179, 741.3; 182/107, 207, 106, 178.2, 180.1, 163, 182/22, 165, 173, 174, 156; 248/210, 211; 403/84, 95, 96, 92; 16/327, 326, 328, 16/341, 102, 81, 329, 331, 344, 349, 332, 16/353, 37; D8/323, 324  
CPC ..... E04F 11/163; E04F 11/16; E04F 11/104; E04F 11/17; E06C 7/50; E06C 1/32; E06C 1/36  
See application file for complete search history.

(56) **References Cited**

**U.S. PATENT DOCUMENTS**

4,216,844 A \* 8/1980 Klafs ..... E05D 11/1007  
16/329

(Continued)

*Primary Examiner* — Cynthia Ramirez

*Assistant Examiner* — Gino Colan

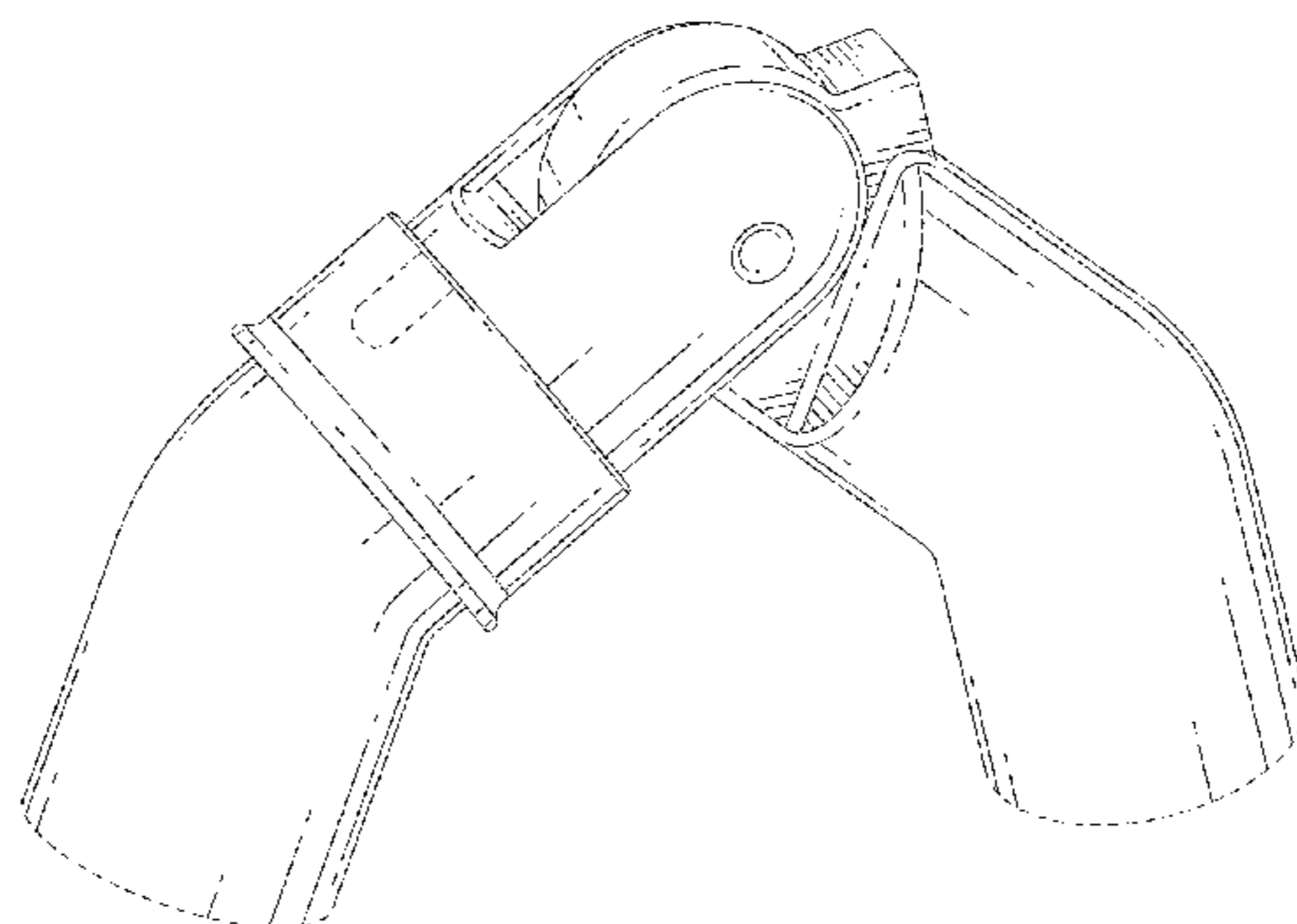
(74) *Attorney, Agent, or Firm* — Fredrikson & Byron, P.A.

(57) **CLAIM**

We claim the ornamental design for a hinge for a telescoping stepladder, as shown and described.

FIG. 1 is a perspective view of a hinge for a telescoping stepladder of our design, shown with the hinge in a partially open configuration and illustrated with a telescoping ladder; FIG. 2 is a perspective view enlarged to show more detail of the hinge for a telescoping stepladder of our design, shown with the hinge in a partially open configuration; FIG. 3 is a side elevation view thereof; FIG. 4 is a side elevation view thereof, shown from the side opposite of that shown in FIG. 3; FIG. 5 is a top plan view thereof; FIG. 6 is a bottom plan view thereof; FIG. 7 is an end elevational view thereof; FIG. 8 is an end elevational view thereof, shown from the end opposite of that shown in FIG. 7; FIG. 9 is a perspective view of the hinge for a telescoping stepladder of our design, shown with the hinge in a closed configuration and illustrated with a telescoping ladder; FIG. 10 is a perspective view enlarged to show more detail of the hinge for a telescoping stepladder of our design, shown with the hinge in a closed configuration; FIG. 11 is a side elevation view thereof; FIG. 12 is a side elevation view thereof, shown from the side opposite of that shown in FIG. 11; FIG. 13 is a top plan view thereof; FIG. 14 is a bottom plan view thereof; FIG. 15 is an end elevational view thereof; FIG. 16 is an end elevational view thereof, shown from the end opposite of that shown in FIG. 15; FIG. 17 is a perspective view of the hinge for a telescoping stepladder of our design, shown with the hinge in an open configuration and illustrated with a telescoping ladder; FIG. 18 is a perspective view enlarged to show more detail of the hinge for a telescoping stepladder of our design, shown with the hinge in an open configuration; FIG. 19 is a side elevation view thereof; FIG. 20 is a side elevation view thereof, shown from the side opposite of that shown in FIG. 19; FIG. 21 is a top plan view thereof; FIG. 22 is a bottom plan view thereof; FIG. 23 is an end elevational view thereof; and, FIG. 24 is an end elevational view thereof, shown from the end opposite of that shown in FIG. 23. The broken lines in the drawings are included for the purpose of illustrating environment and form no part of the claimed design.

**1 Claim, 12 Drawing Sheets**



# US D767,784 S

Page 2

(56)

## References Cited

### U.S. PATENT DOCUMENTS

4,286,353 A *	9/1981	Roche	.....	E04B 1/3441	16/341
4,566,150 A *	1/1986	Boothe	.....	E05D 11/1007	16/332
4,697,305 A *	10/1987	Boothe	.....	E06C 1/32	16/329
4,770,559 A *	9/1988	Yoo	.....	E06C 1/32	182/163
4,824,278 A *	4/1989	Chang	.....	E06C 1/32	16/332
4,890,950 A *	1/1990	Yoo	.....	E06C 1/32	16/328
D309,502 S *	7/1990	Wing	.....	D25/68	
5,265,969 A *	11/1993	Chuang	.....	A45B 17/00	16/329
D717,633 S *	11/2014	Lu	.....	D8/323	
D717,634 S *	11/2014	Lu	.....	D8/323	
2003/0012595 A1 *	1/2003	Park	.....	E06C 1/32	403/84

\* cited by examiner

FIG. 1

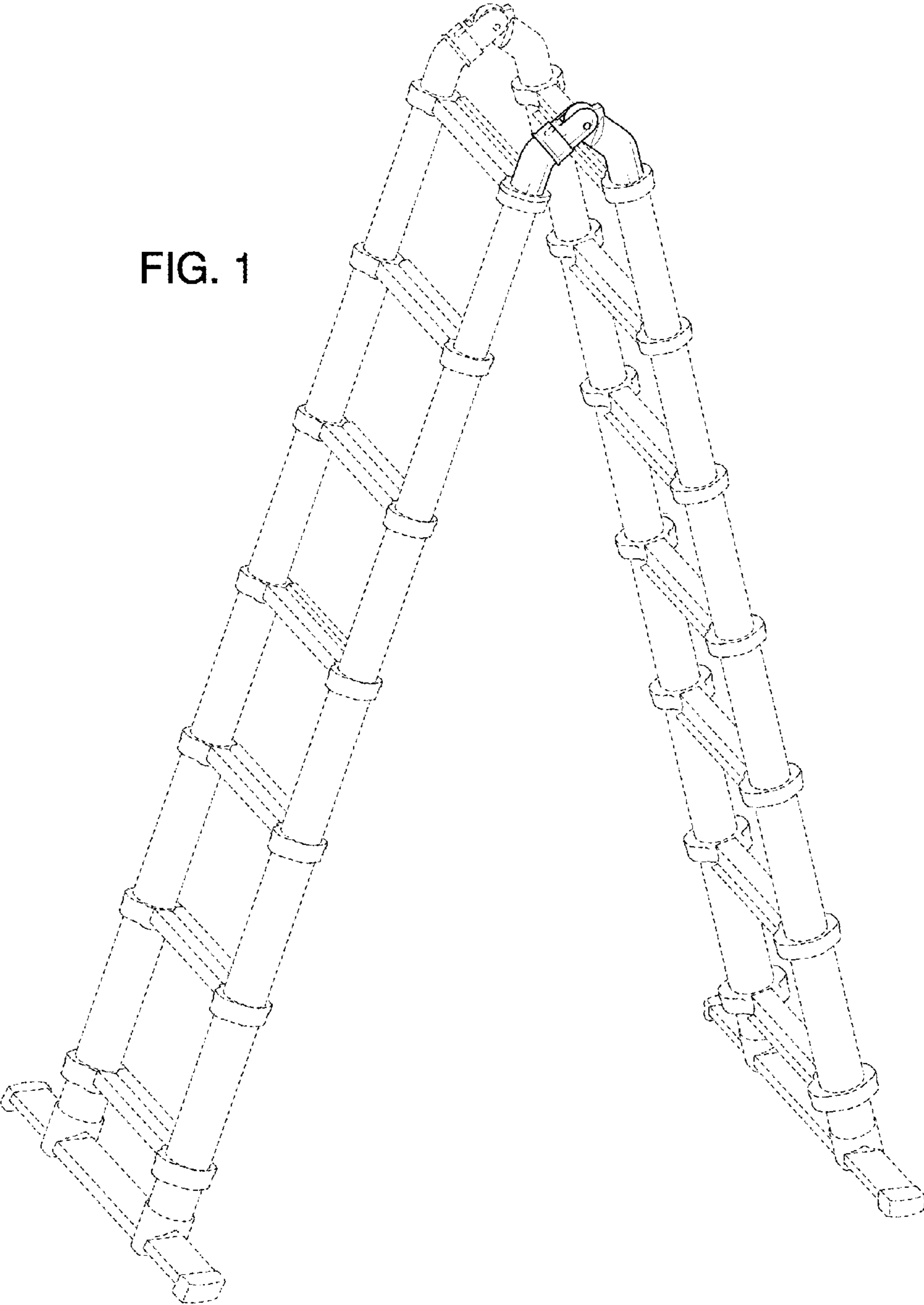
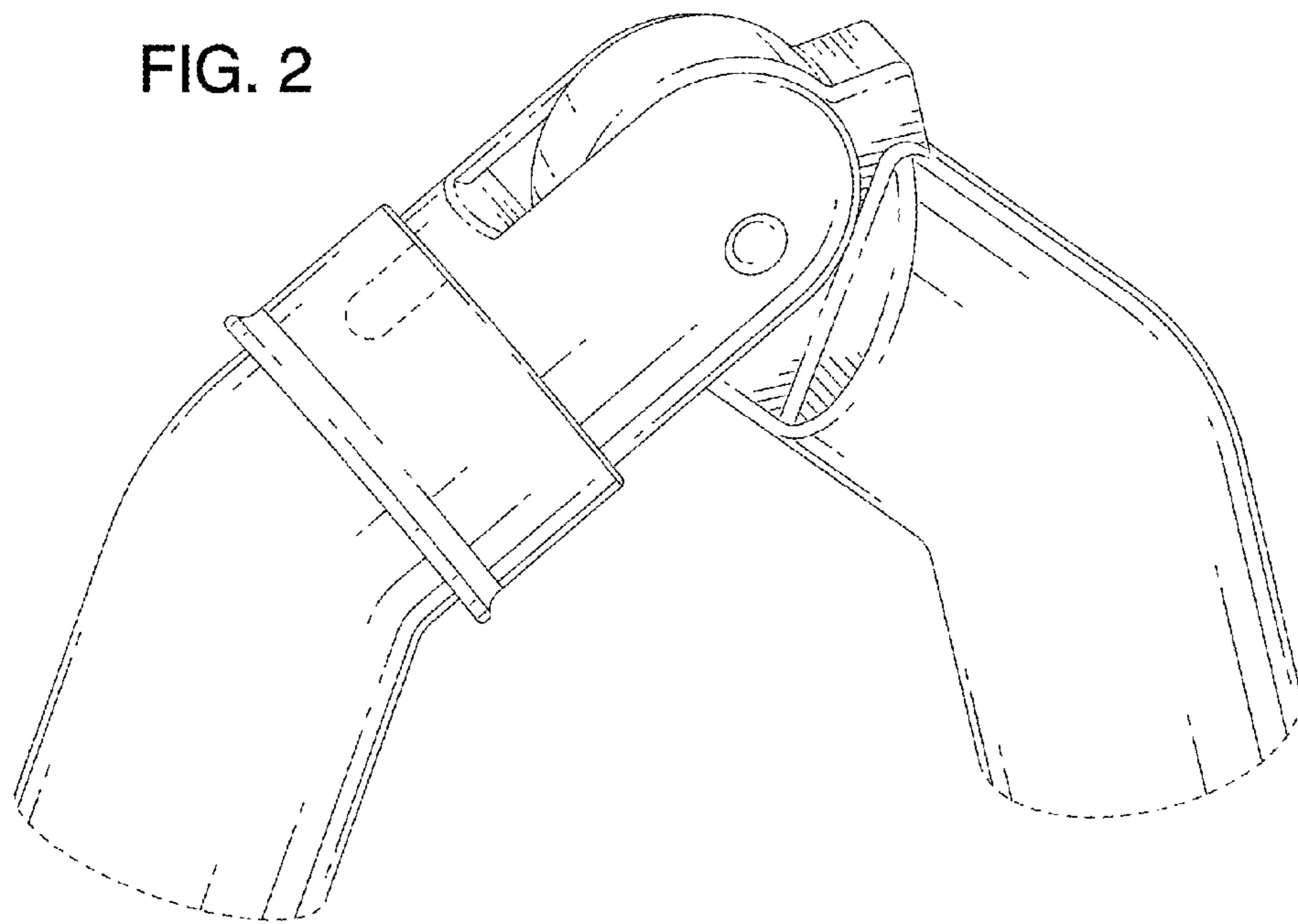


FIG. 2



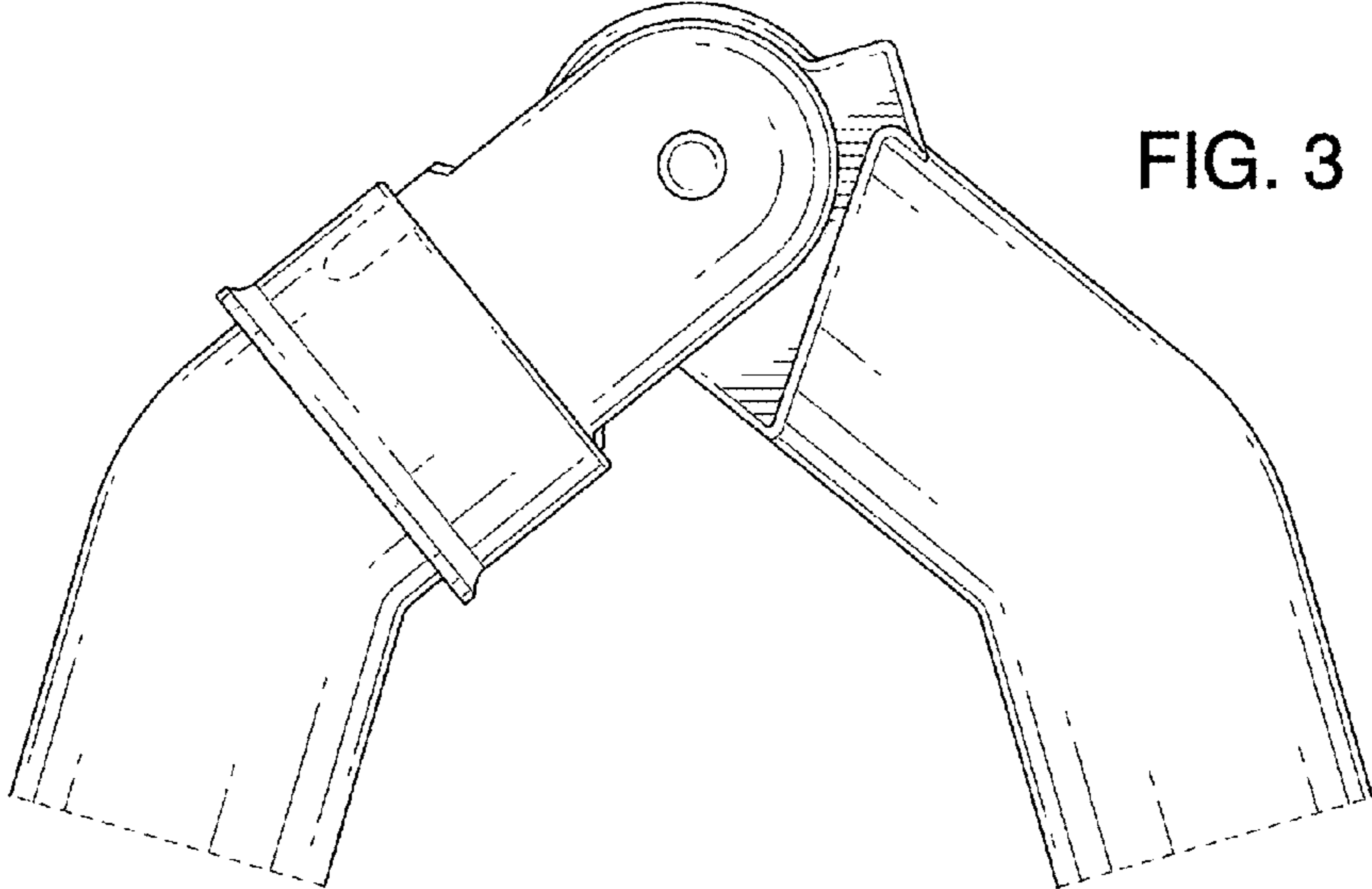


FIG. 3

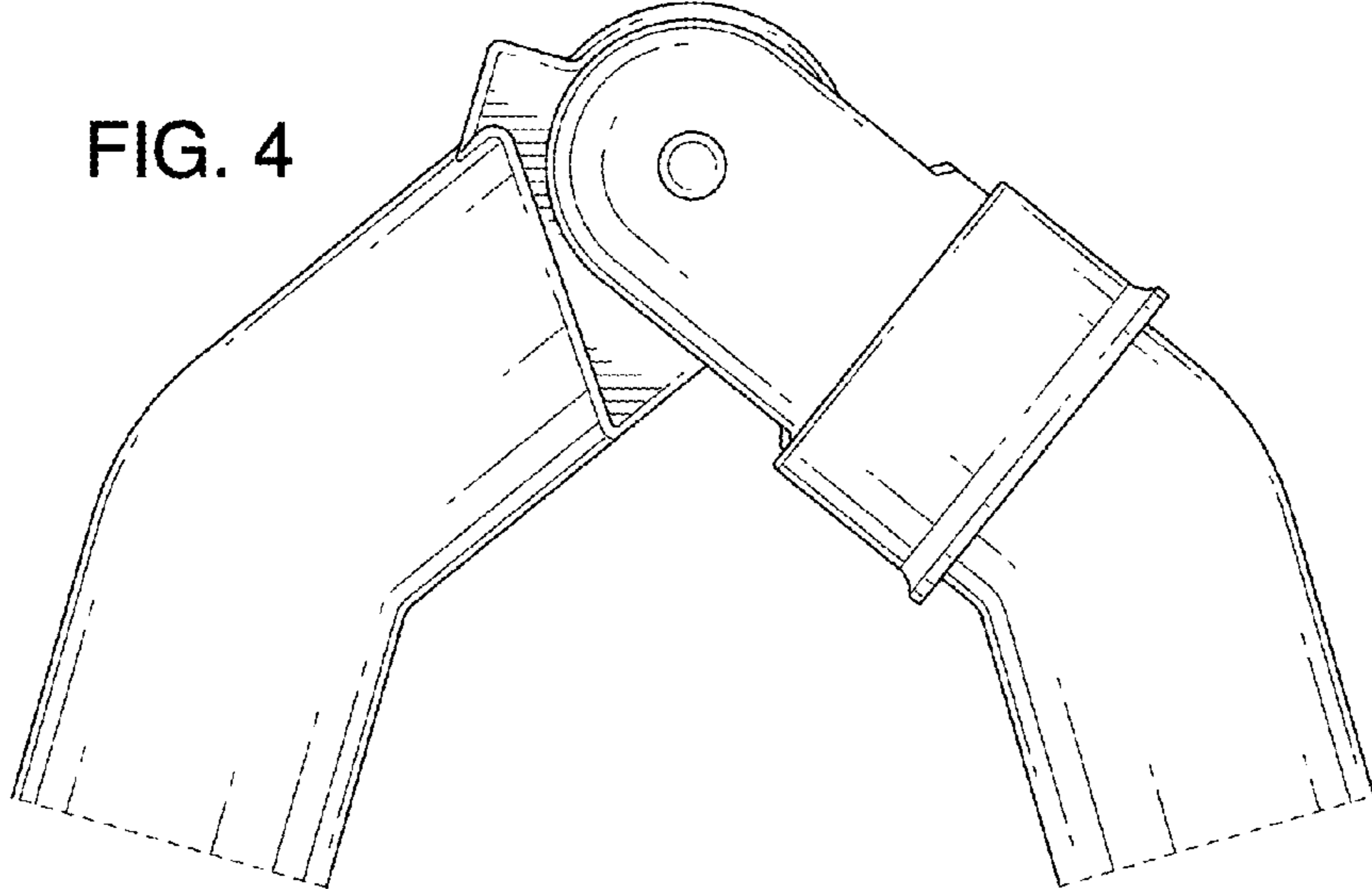


FIG. 4

FIG. 5

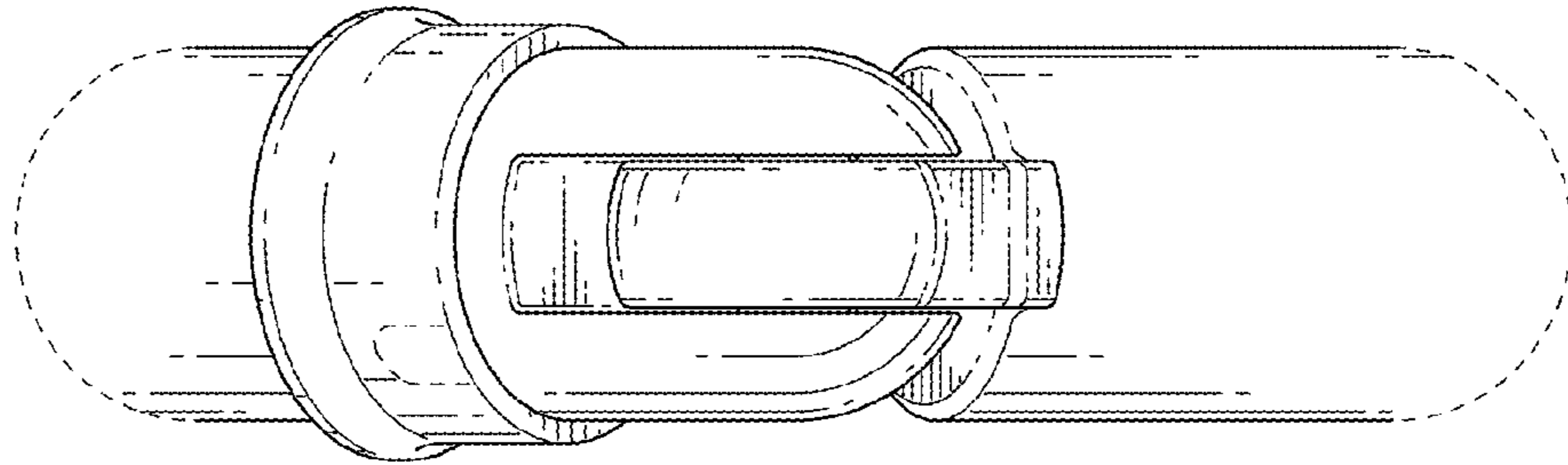


FIG. 6

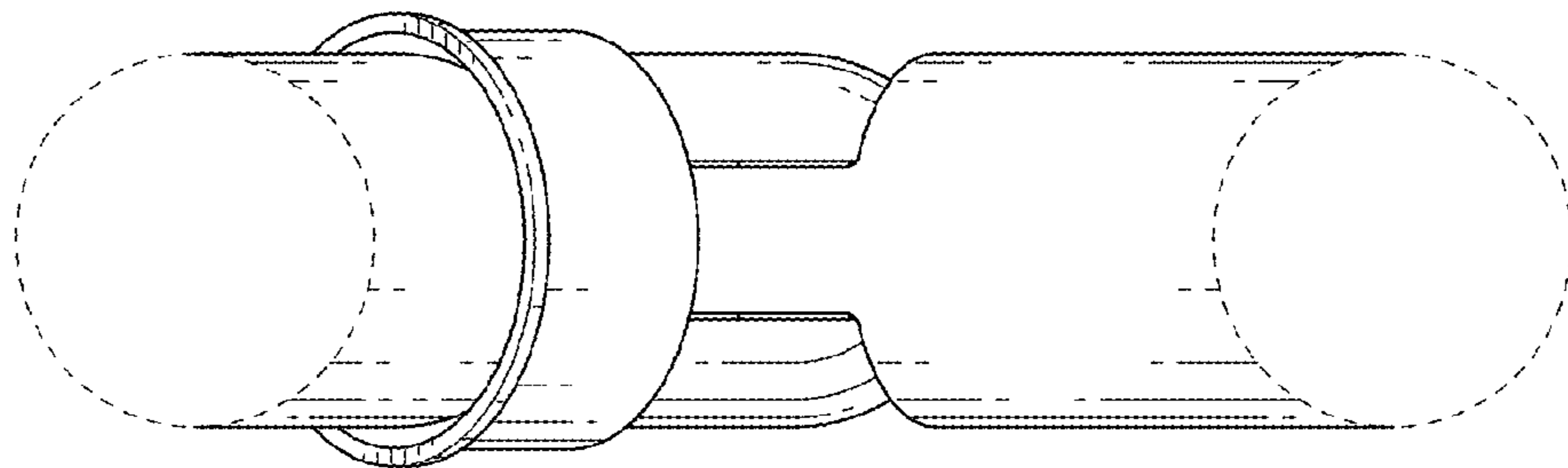


FIG. 7

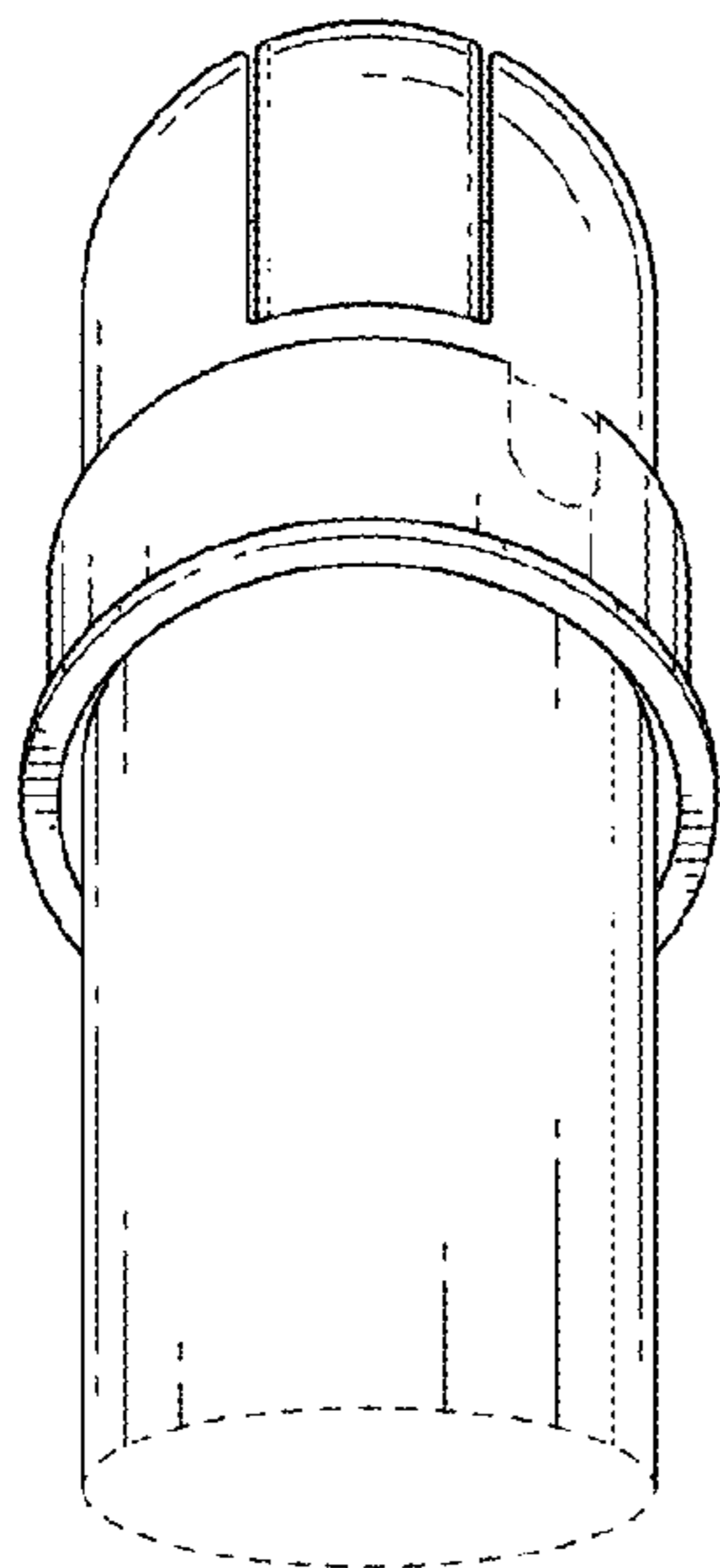
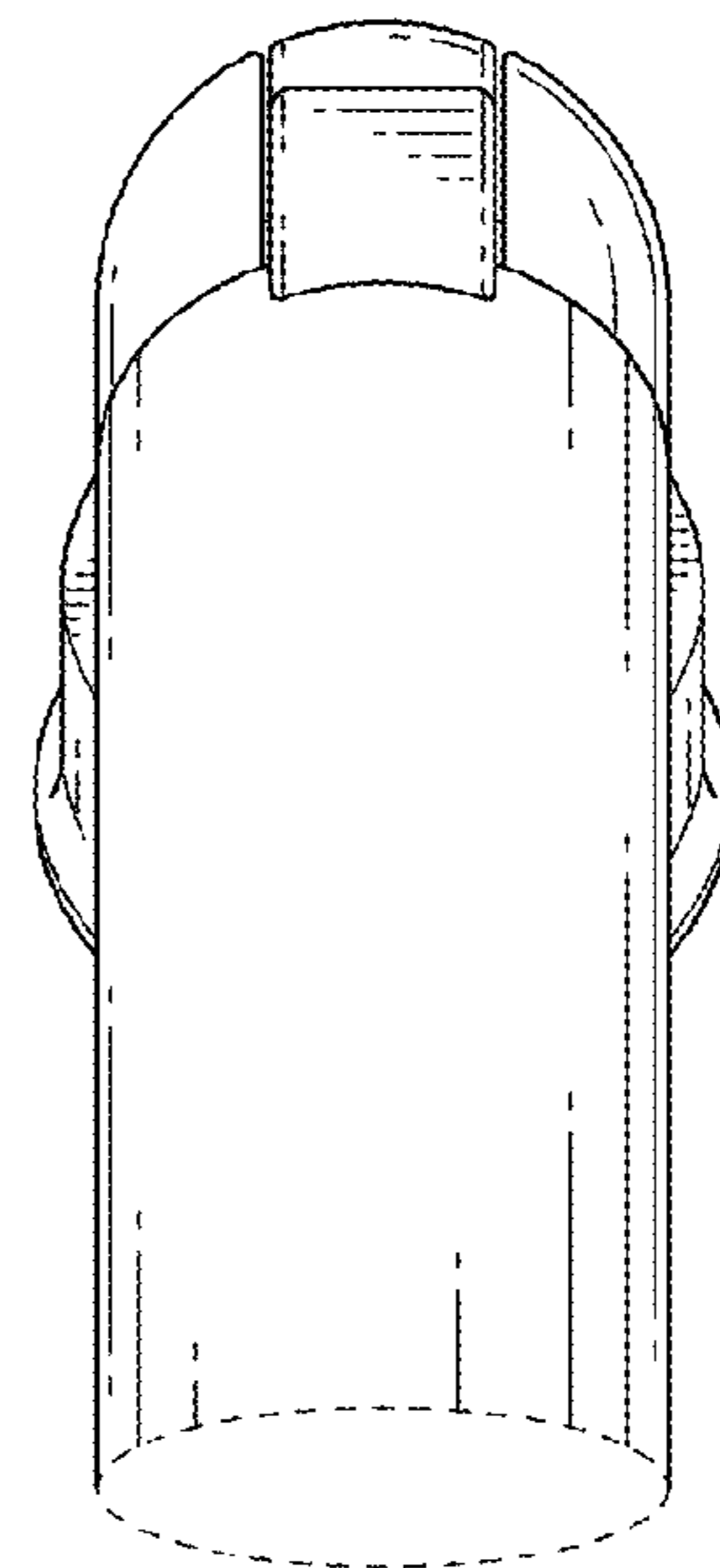


FIG. 8



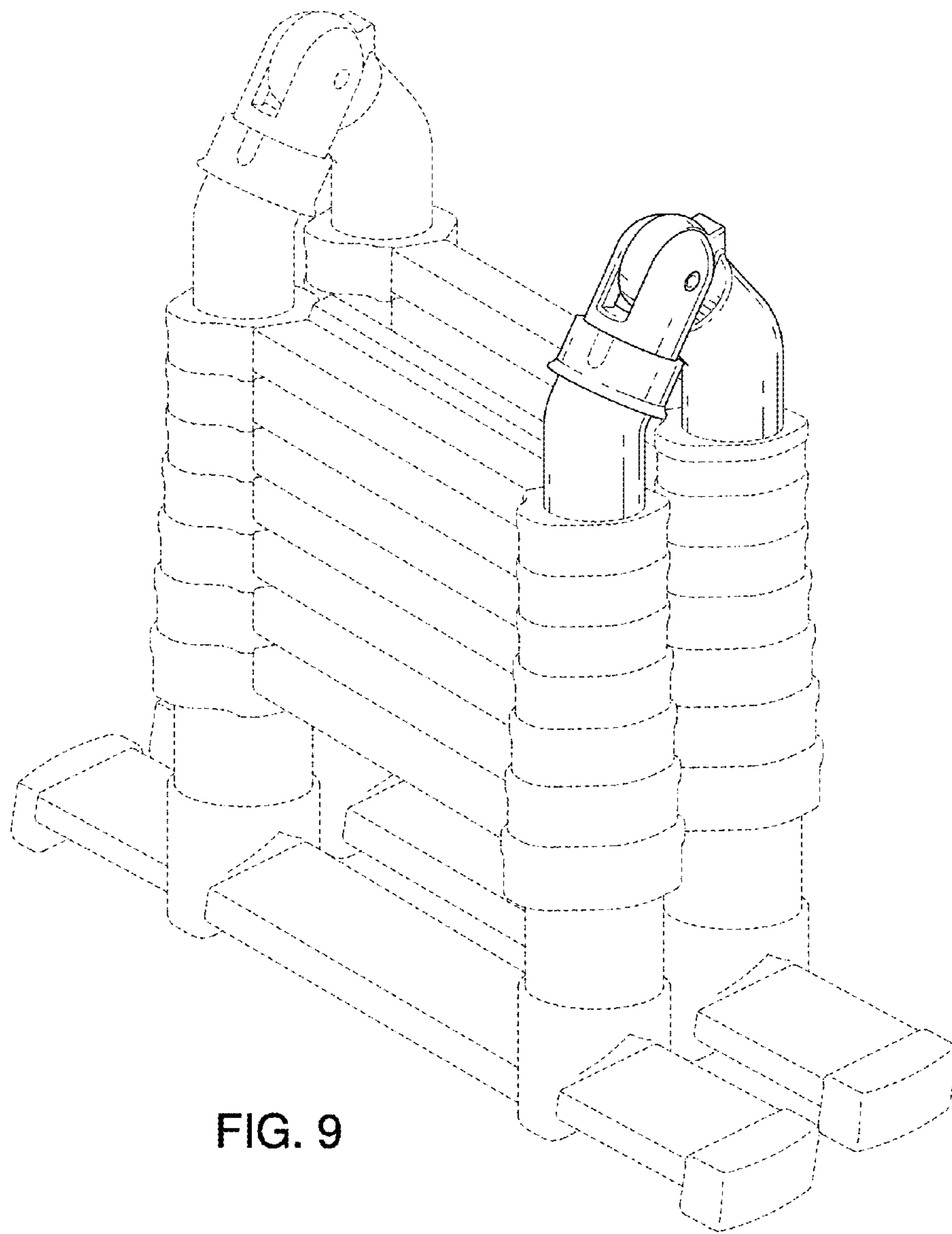
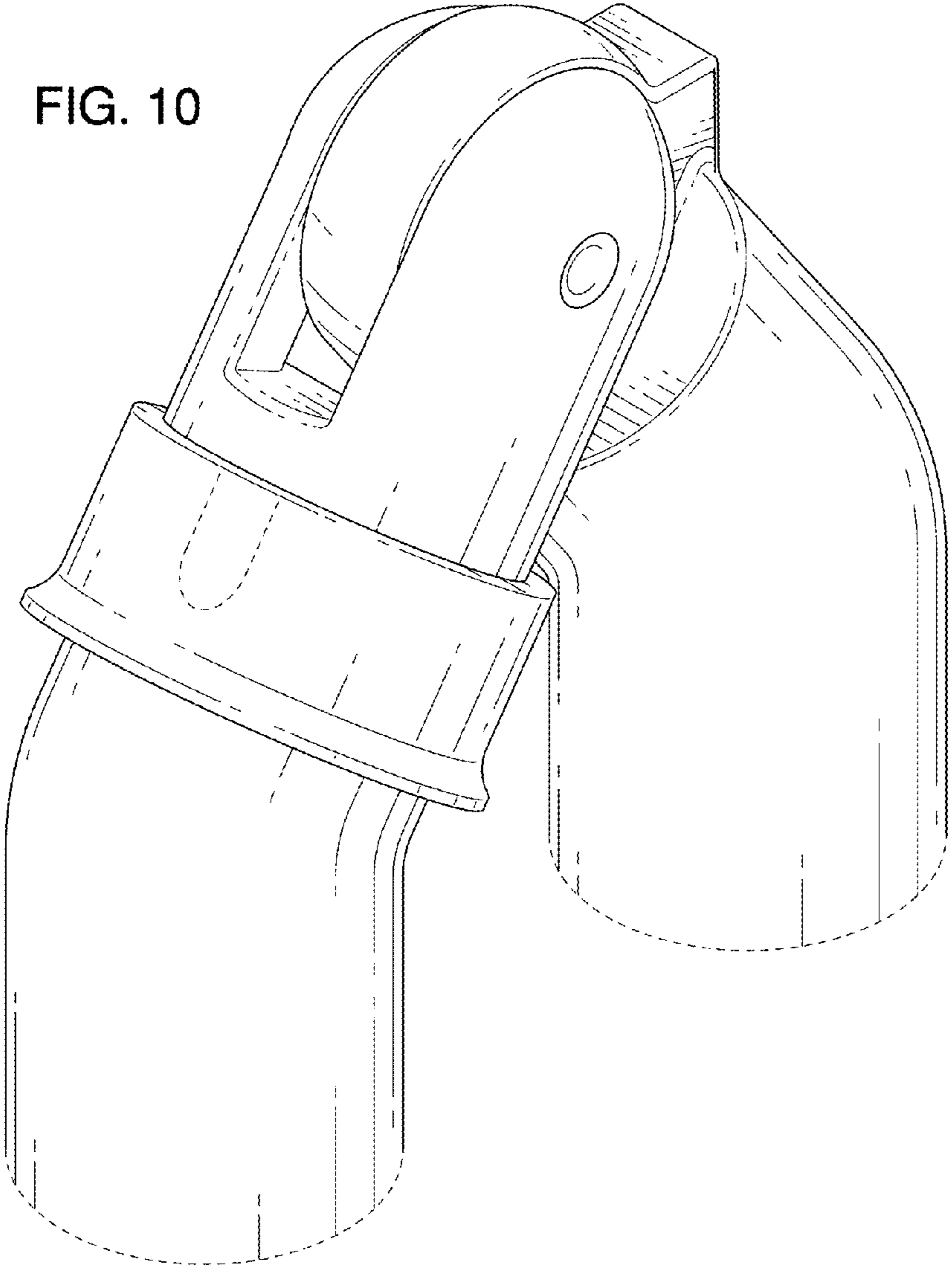


FIG. 9

FIG. 10





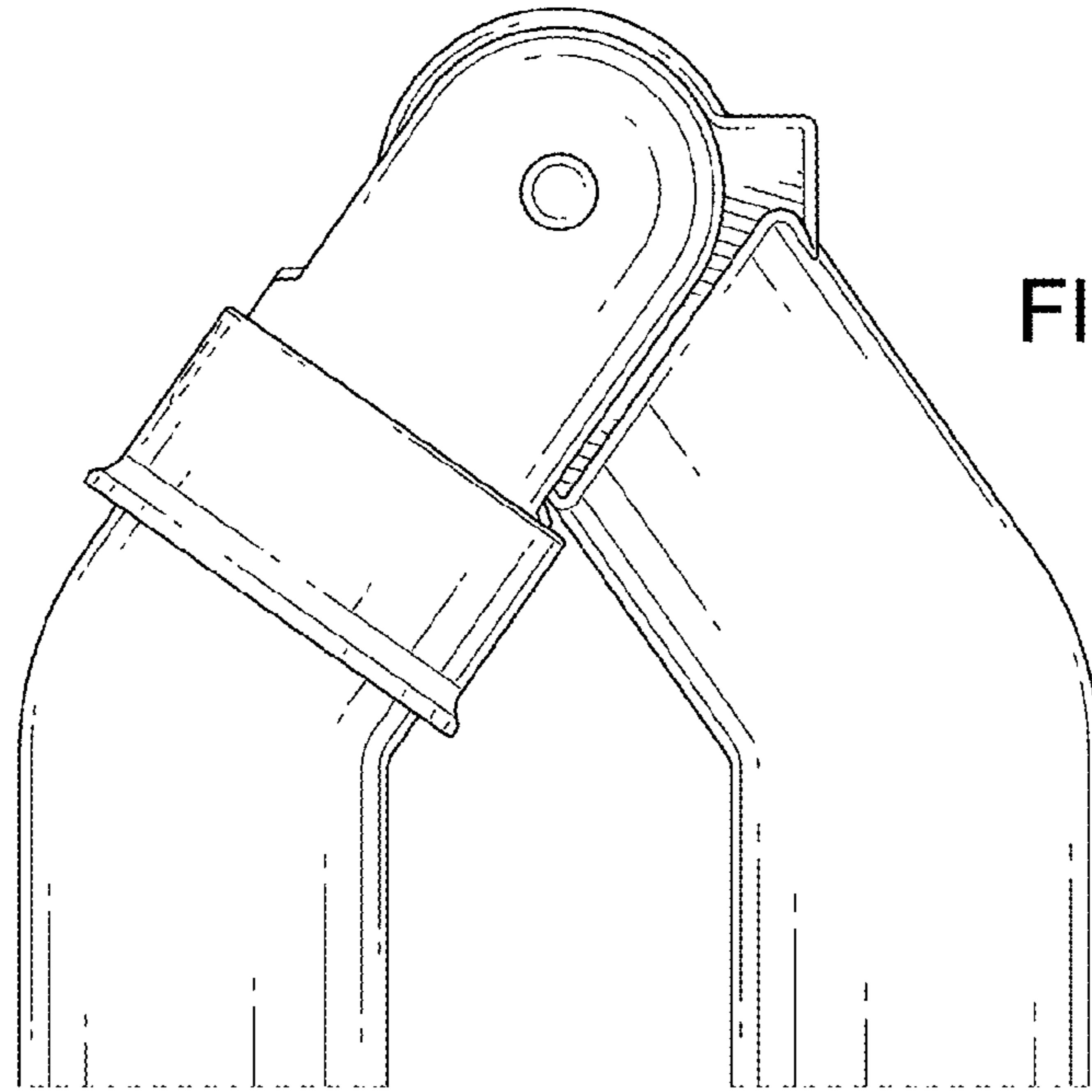


FIG. 11

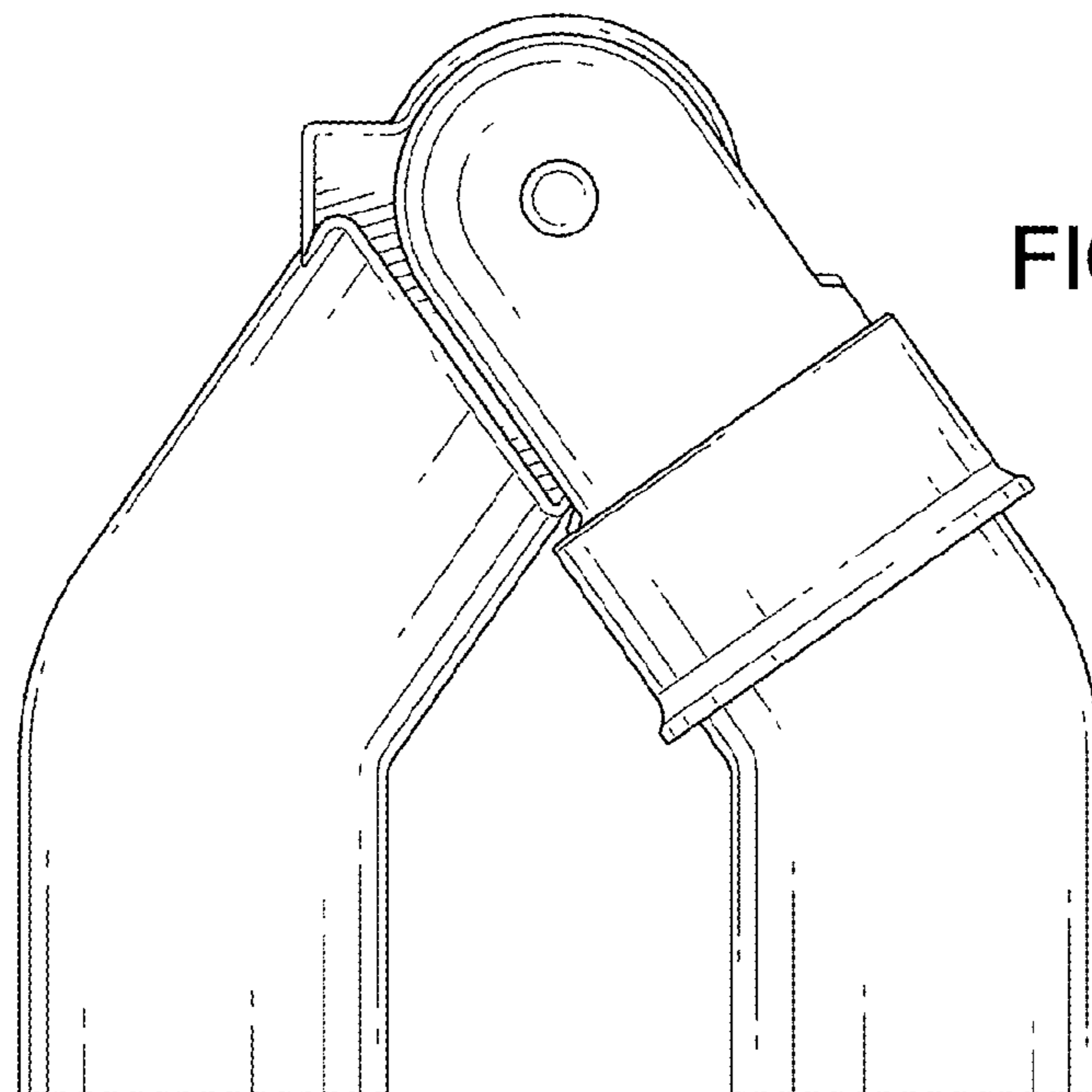


FIG. 12

FIG. 13

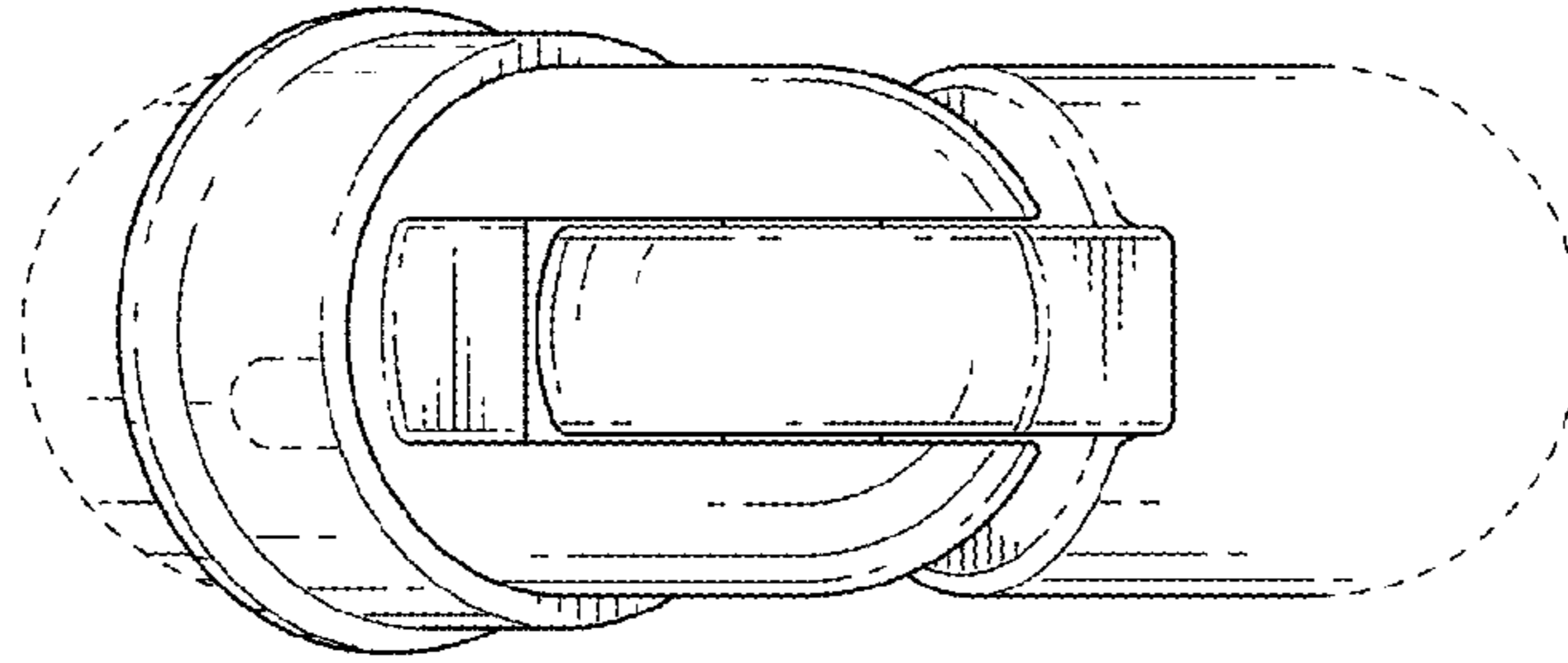


FIG. 14

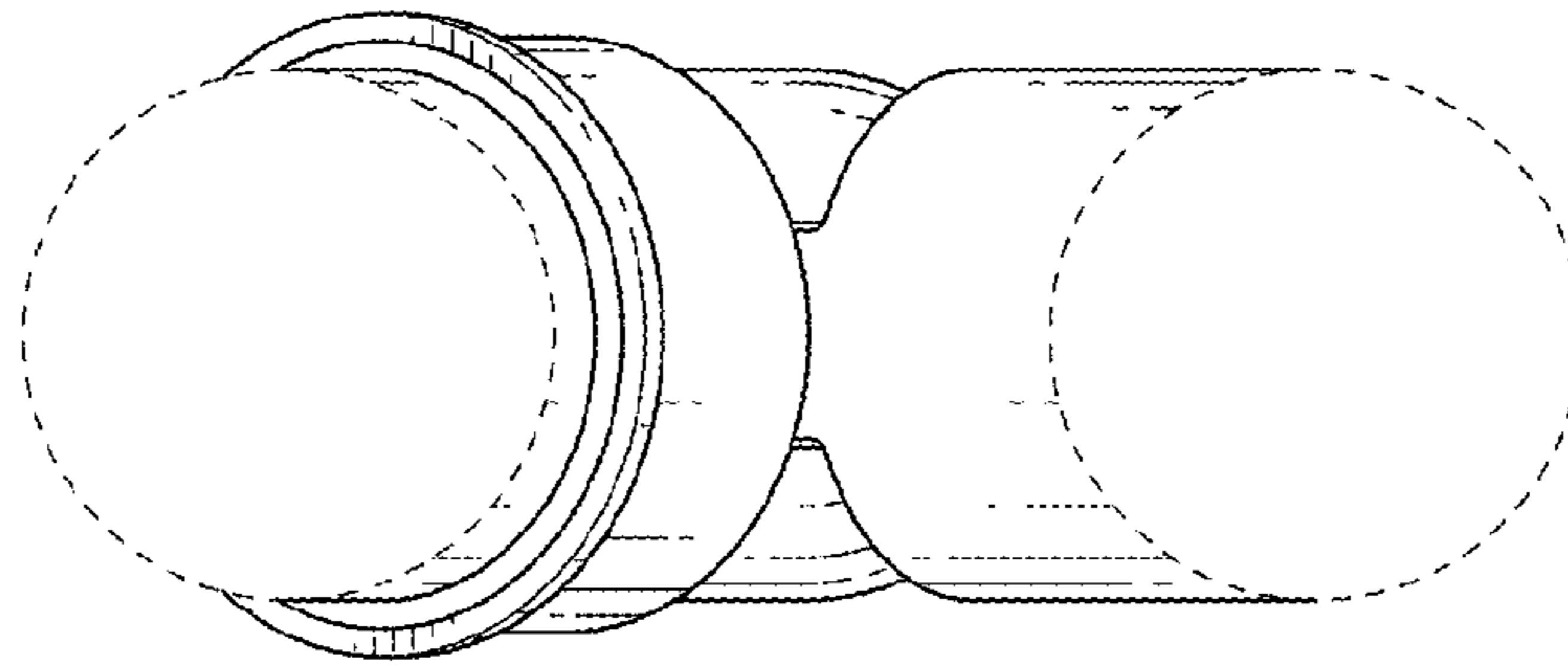


FIG. 15

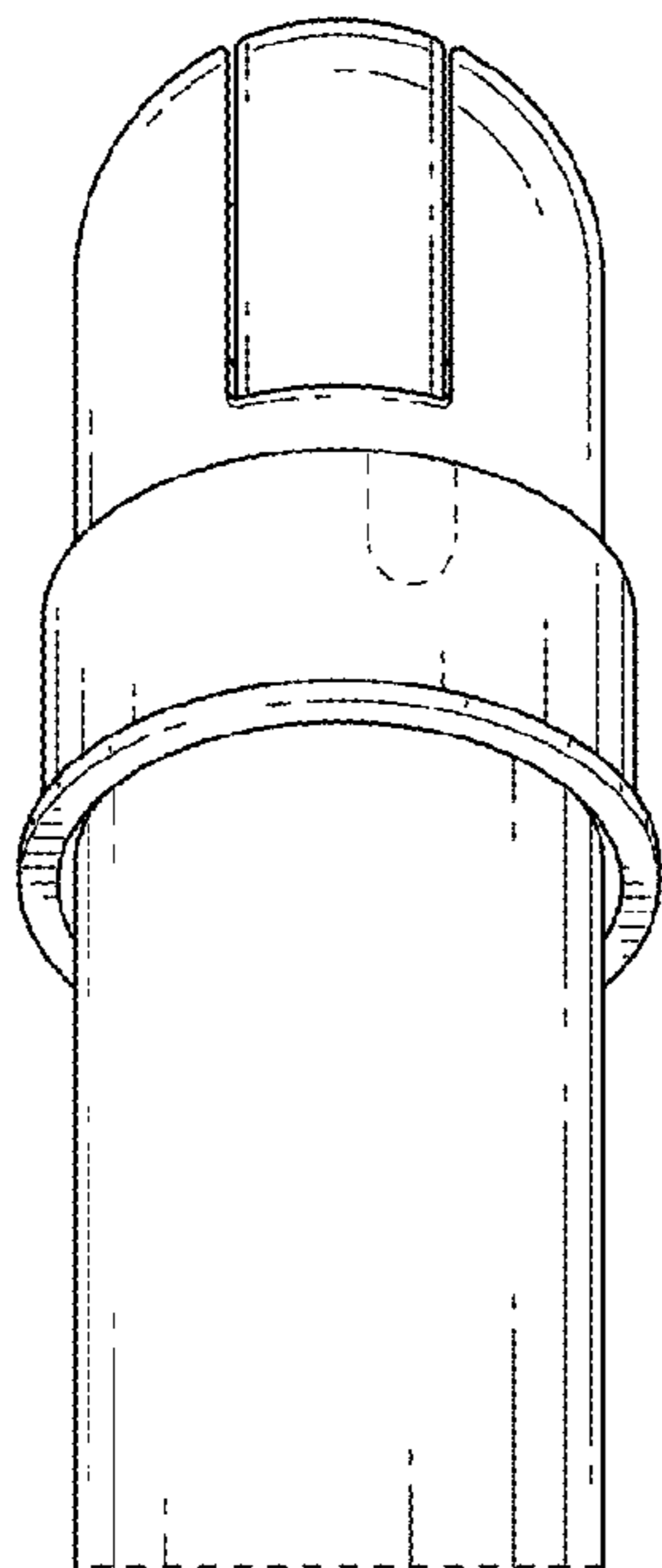


FIG. 16

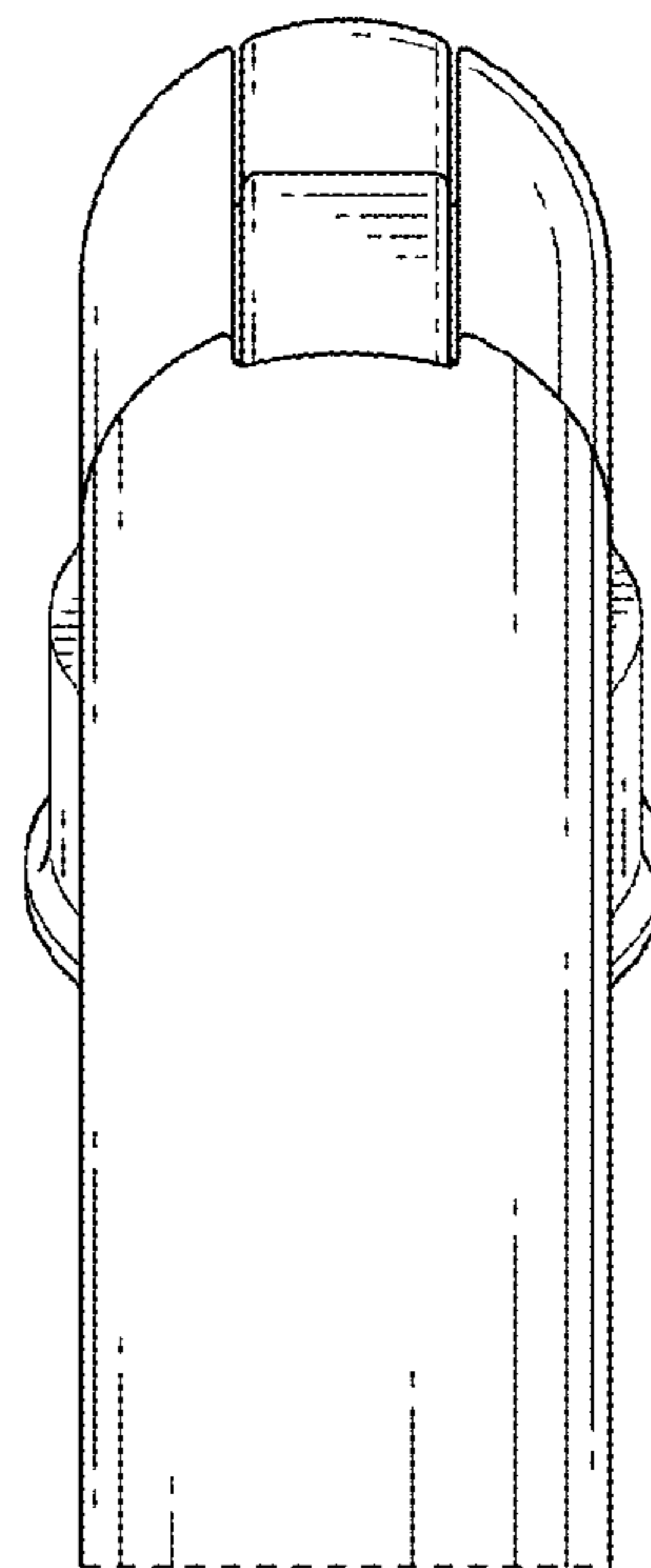


FIG. 17

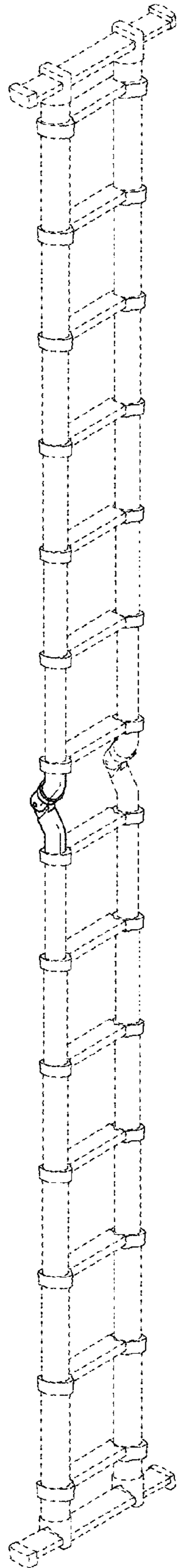


FIG. 18

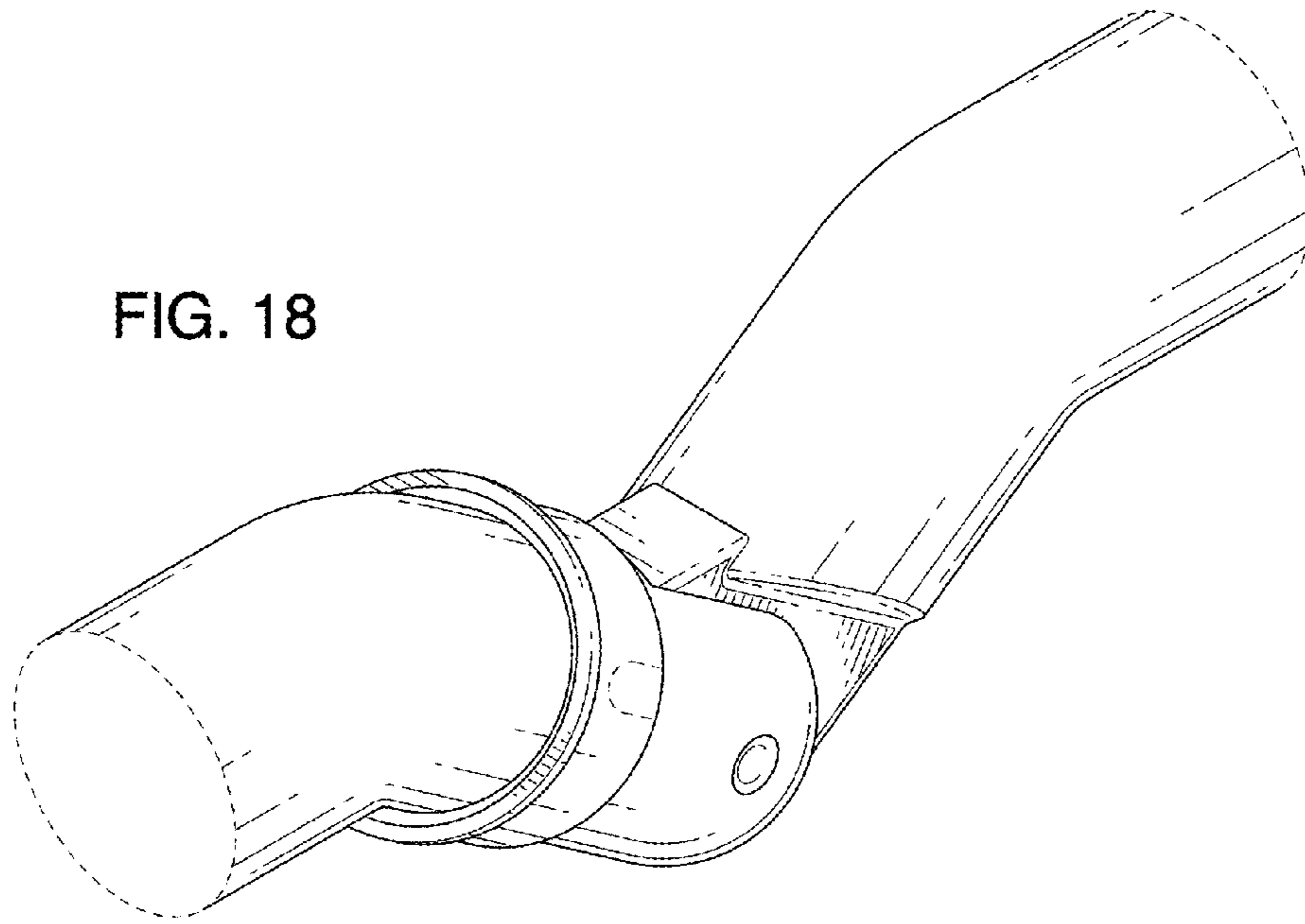


FIG. 19

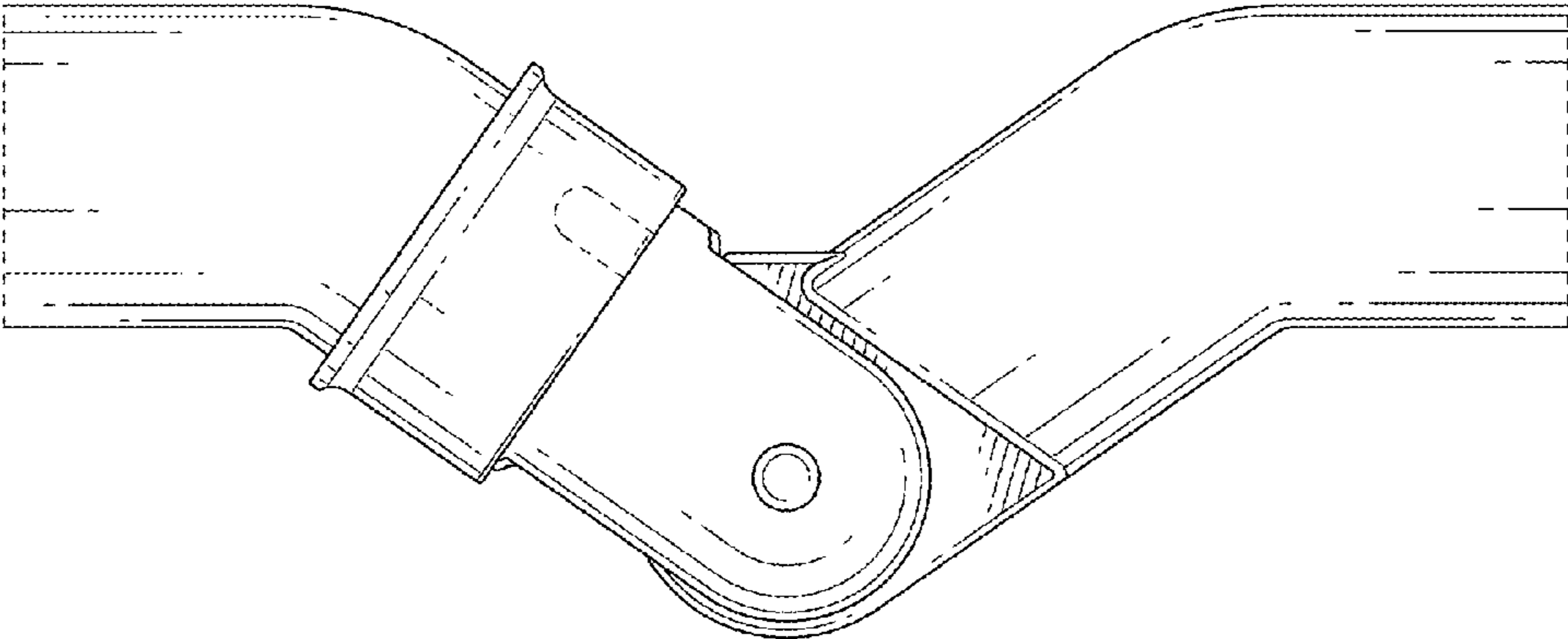


FIG. 20

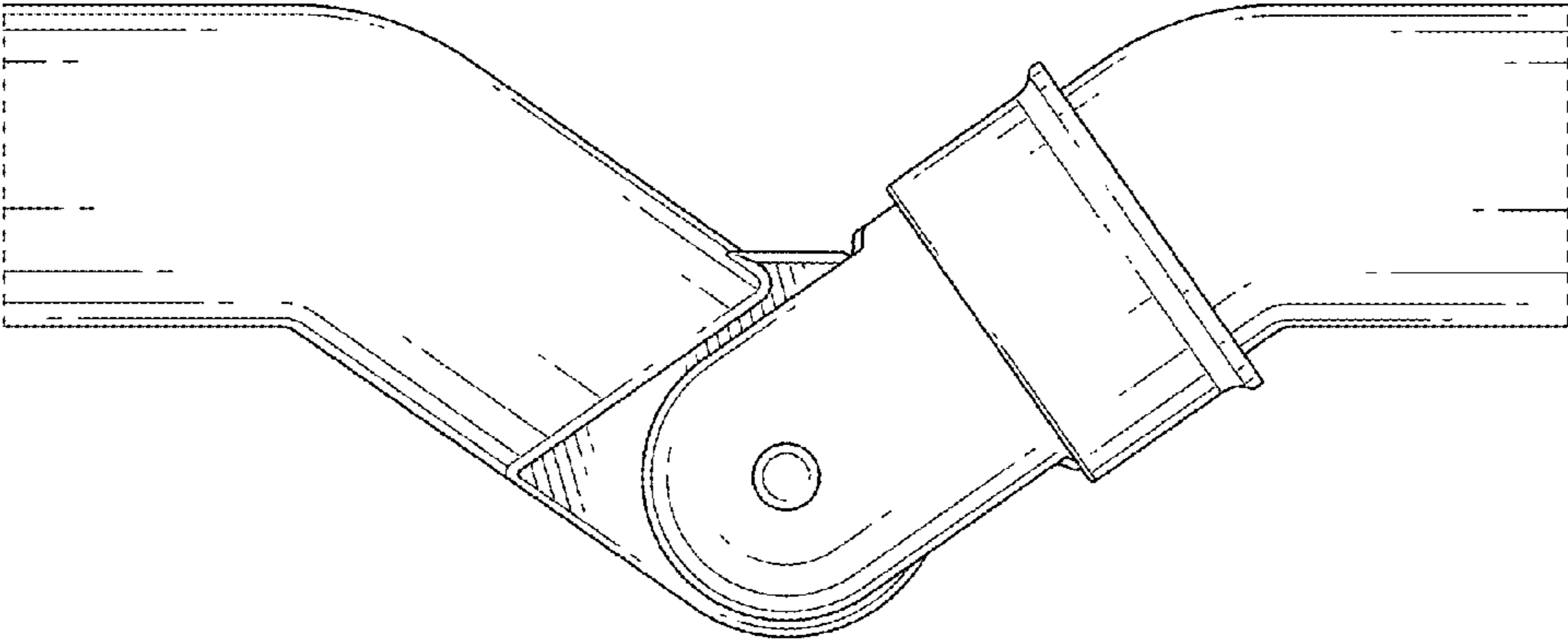


FIG. 21

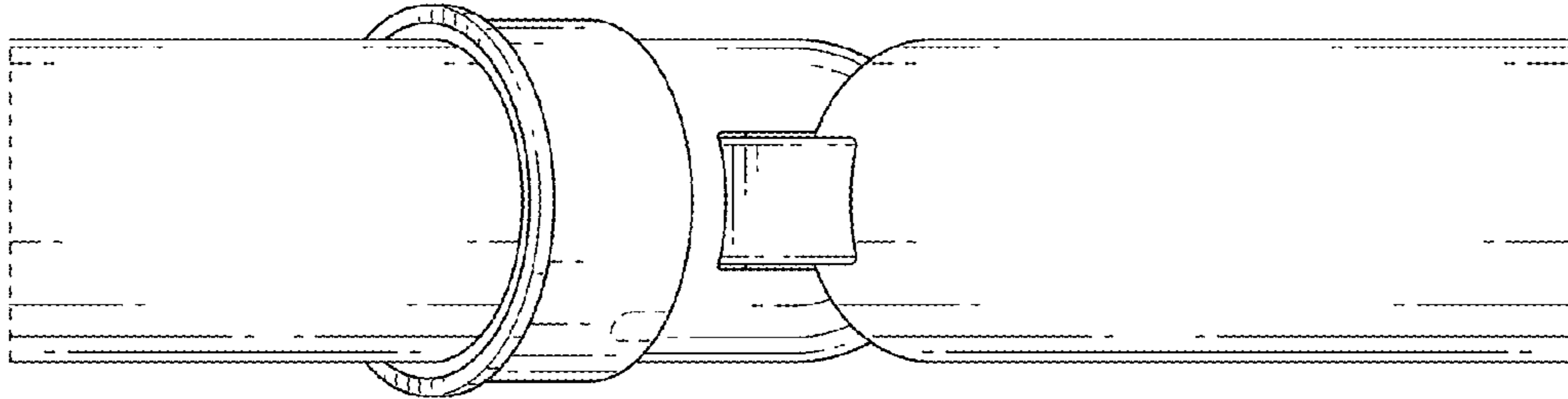


FIG. 22

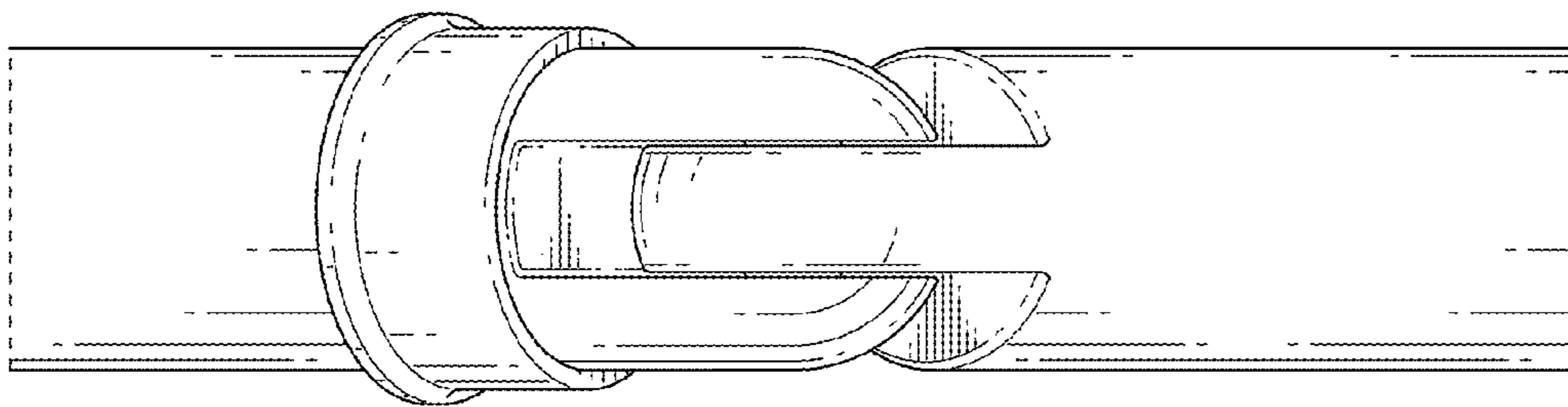


FIG. 23

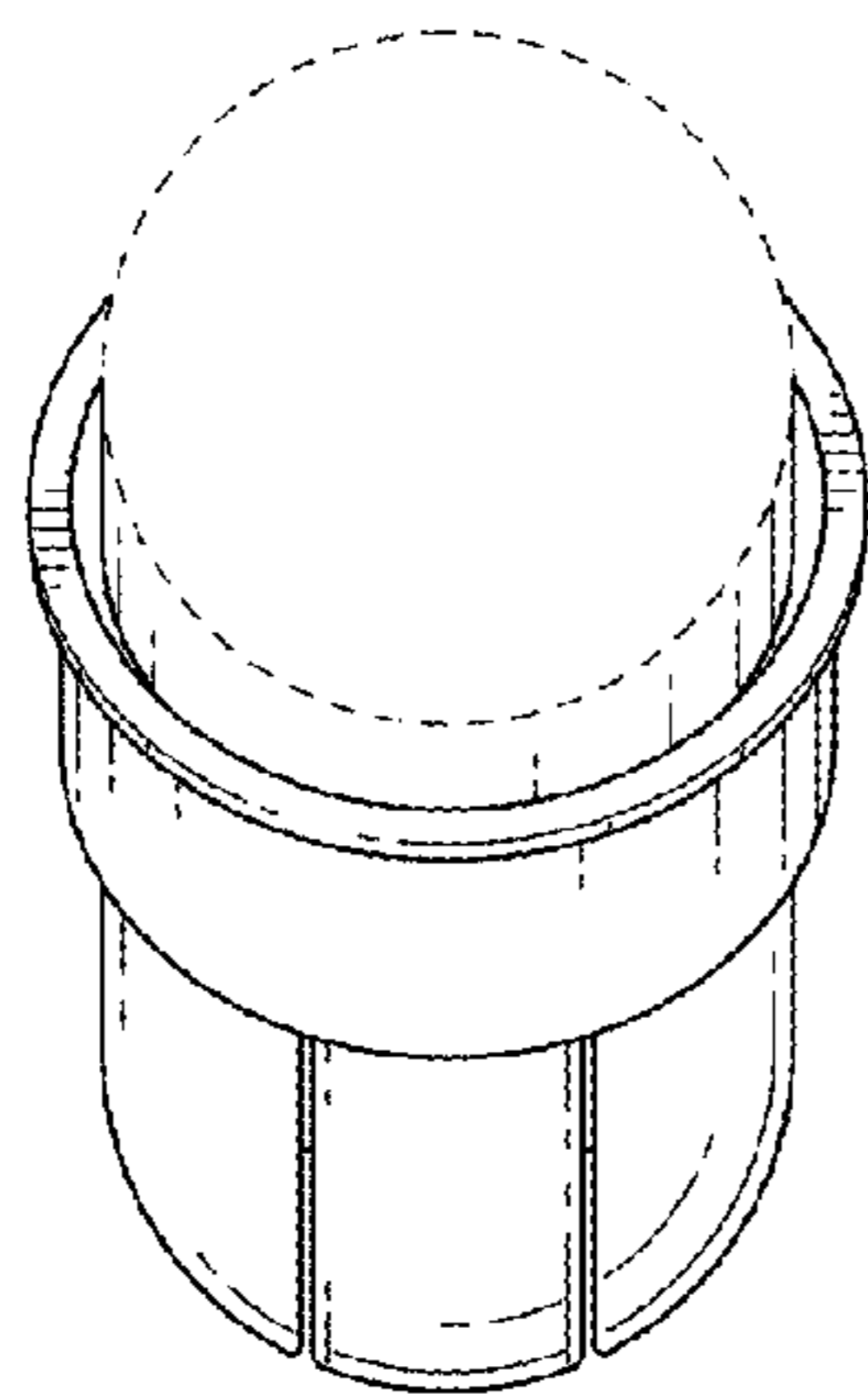


FIG. 24

