



US00D767781S

(12) **United States Design Patent** (10) **Patent No.:** **US D767,781 S**
Gong (45) **Date of Patent:** **** Sep. 27, 2016**

(54) **MASSAGER**

(71) Applicant: **QINGDAO RICHRIVER ELECTRICS CO., LTD.**, Qingdao (CN)

(72) Inventor: **Zhiqiang Gong**, Qingdao (CN)

(73) Assignee: **QINGDAO RICHRIVER ELECTRICS CO., LTD.**, Qingdao (CN)

(**) Term: **15 Years**

(21) Appl. No.: **29/535,503**

(22) Filed: **Aug. 6, 2015**

(30) **Foreign Application Priority Data**

Jul. 21, 2015 (CN) 2015 3 0264111

(51) **LOC (10) Cl.** **28-03**

(52) **U.S. Cl.**
USPC **D24/215**

(58) **Field of Classification Search**
USPC D24/200, 211, 212, 213, 214, 215;
601/19, 27-32, 46, 48, 52, DIG. 12,
601/DIG. 14, DIG. 15, DIG. 16, DIG. 17, 99,
601/112, 113, 118, 119, 120, 121;
D30/160; D14/218; D11/26
CPC A61H 19/30; A61H 19/32; A61H 19/34;
A61H 19/40; A61H 19/44; A61H 19/50;
A61H 19/00; A61H 2201/0153; A61H
2201/0207; A61H 2201/0263; A61H
2201/0111; A61H 2201/1253; A61H
2205/082; A61H 2205/085; A61H 15/0085;
A61H 15/0092

See application file for complete search history.

(56) **References Cited**

U.S. PATENT DOCUMENTS

3,645,256	A *	2/1972	Morrison	A61H 15/00 601/122
D228,967	S *	10/1973	Holladay	D24/211
5,772,614	A *	6/1998	Lindquist	A63B 21/00061 601/116
6,419,650	B1 *	7/2002	Ryan	A61H 15/00 601/122
D563,557	S *	3/2008	Fink	D24/200
D567,951	S *	4/2008	Fink	D24/200
D567,953	S *	4/2008	Fink	D24/200
D567,954	S *	4/2008	Fink	D24/200
D567,955	S *	4/2008	Fink	D24/200
D581,471	S *	11/2008	Mishan	D21/687
D639,974	S *	6/2011	Kurosu	D24/211
D700,709	S *	3/2014	Khodabakhshian	D24/211
D736,398	S *	8/2015	Kwon	D24/211

* cited by examiner

Primary Examiner — Sandra Snapp

(74) *Attorney, Agent, or Firm* — J.C. Patents

(57) **CLAIM**

The ornamental design for a massager, as shown and described.

DESCRIPTION

FIG. 1 is a top, left front perspective view of a massager showing our new design;
FIG. 2 is a front elevational view thereof;
FIG. 3 is a behind elevational view thereof;
FIG. 4 is a right side elevational view thereof;
FIG. 5 is a left side elevational view thereof;
FIG. 6 is a rear elevational view thereof; and,
FIG. 7 is a bottom view thereof.

1 Claim, 4 Drawing Sheets

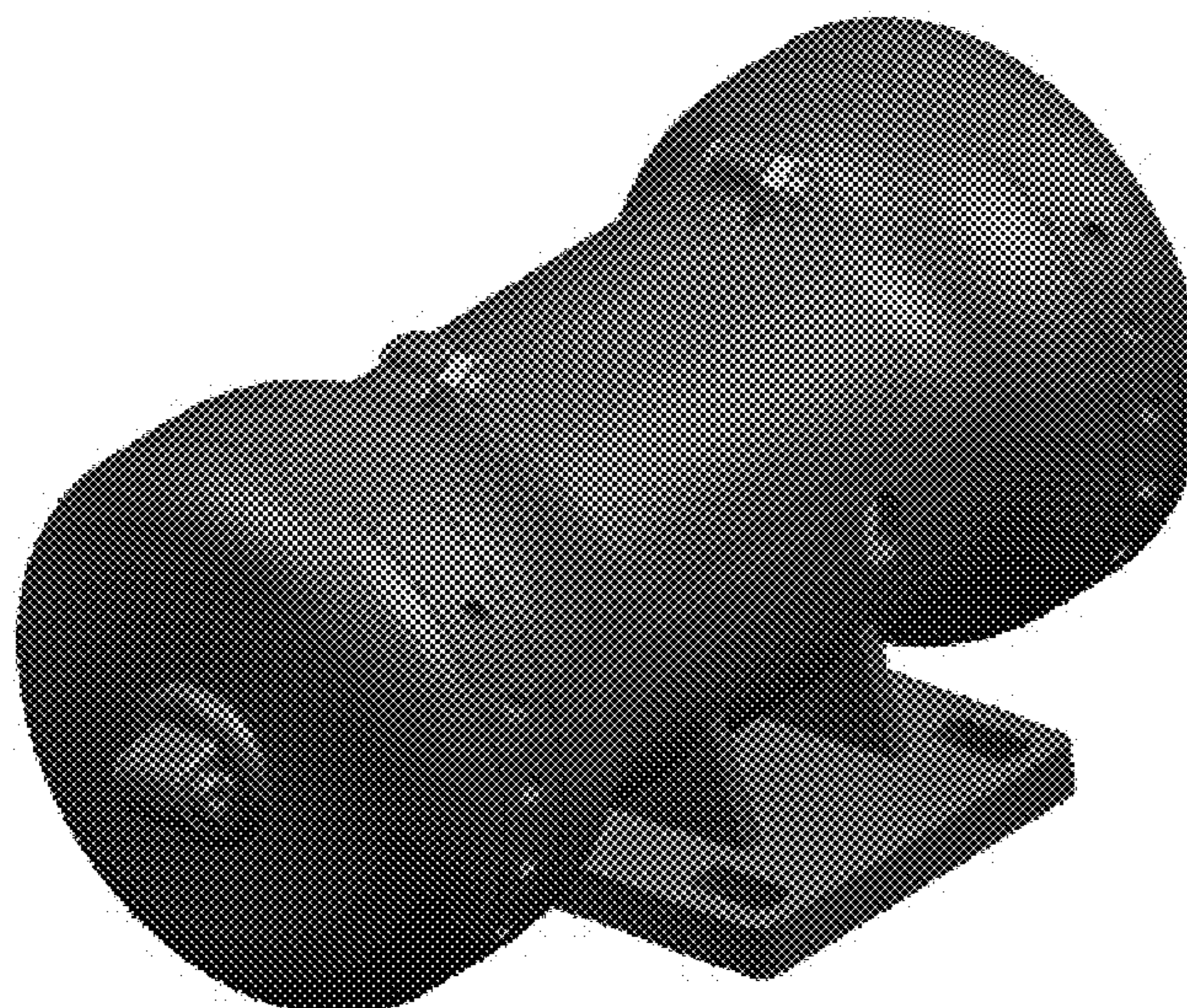




FIG. 1

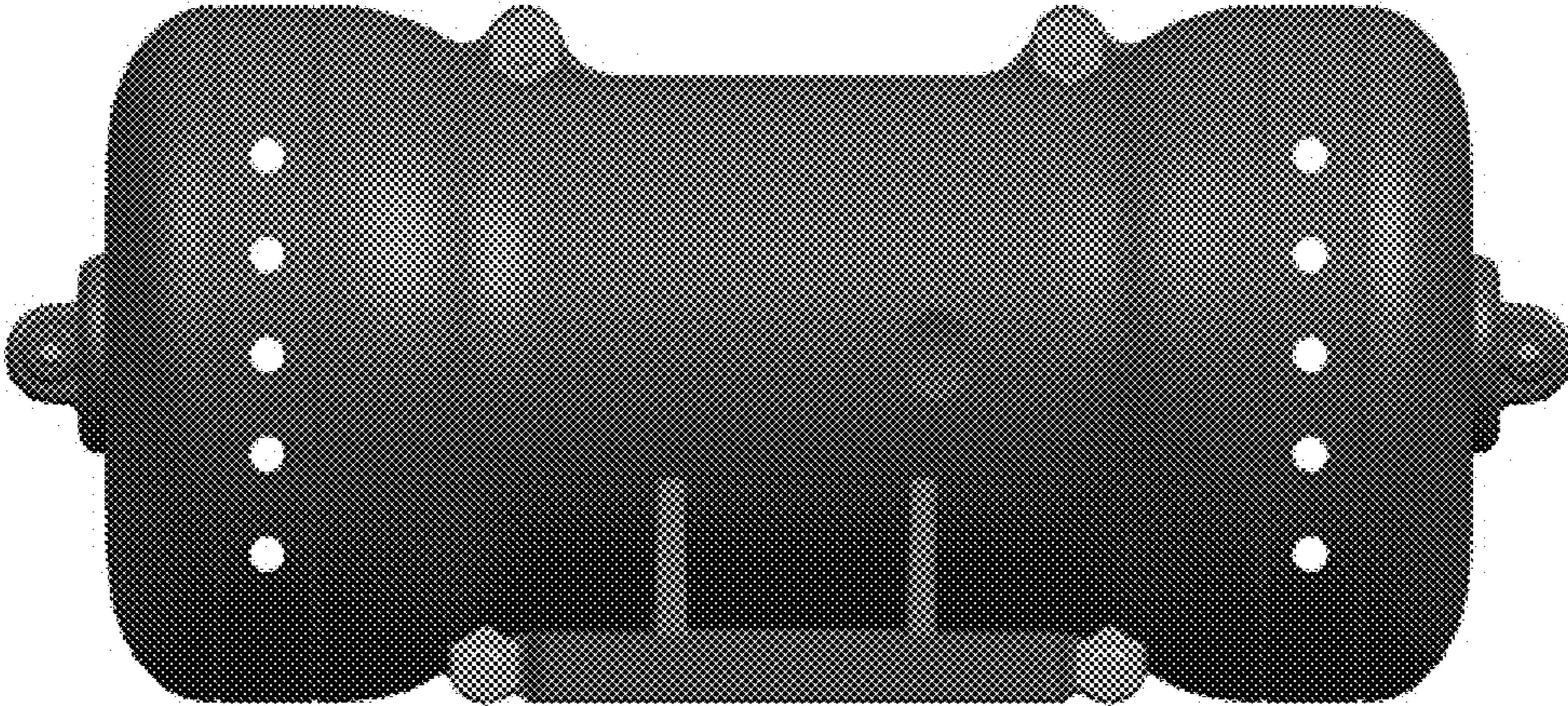


FIG. 2

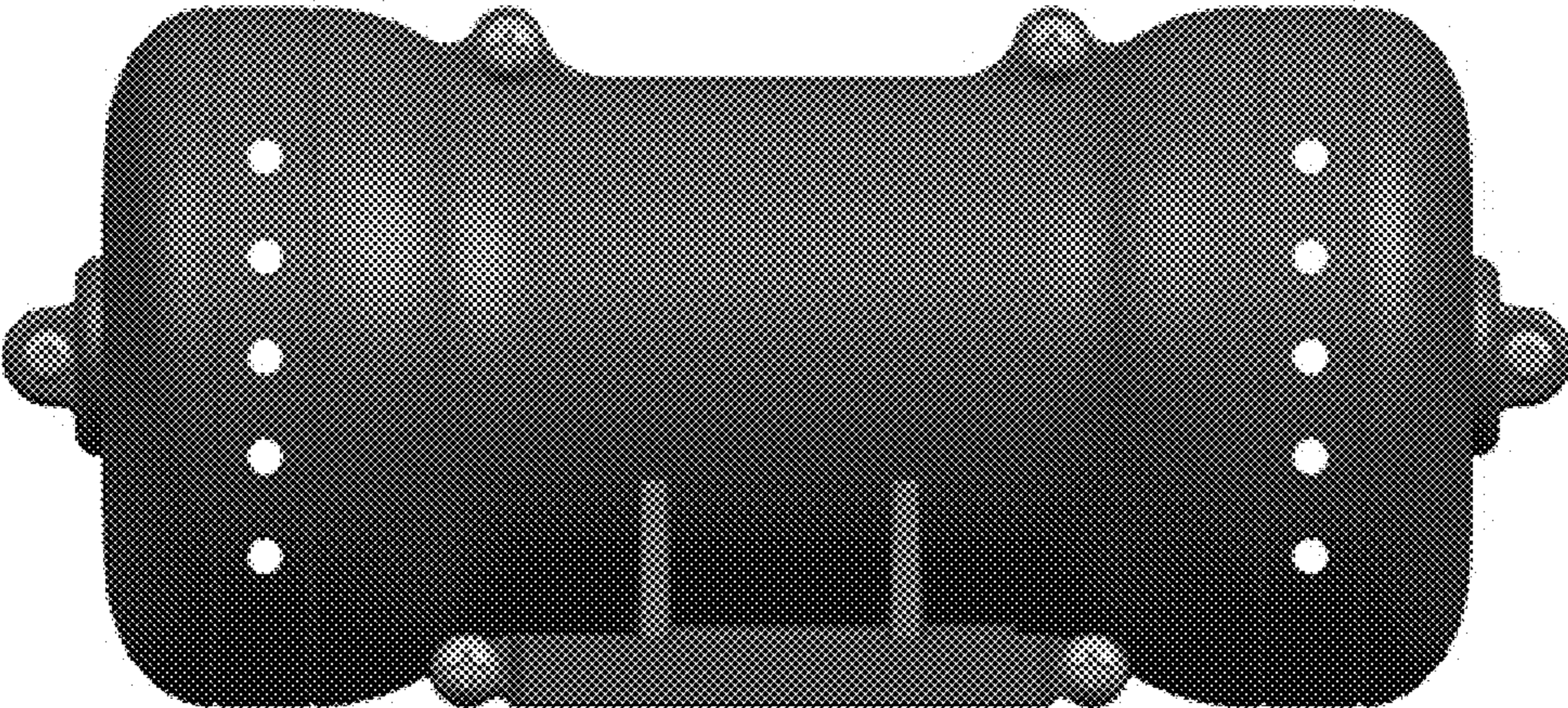


FIG. 3

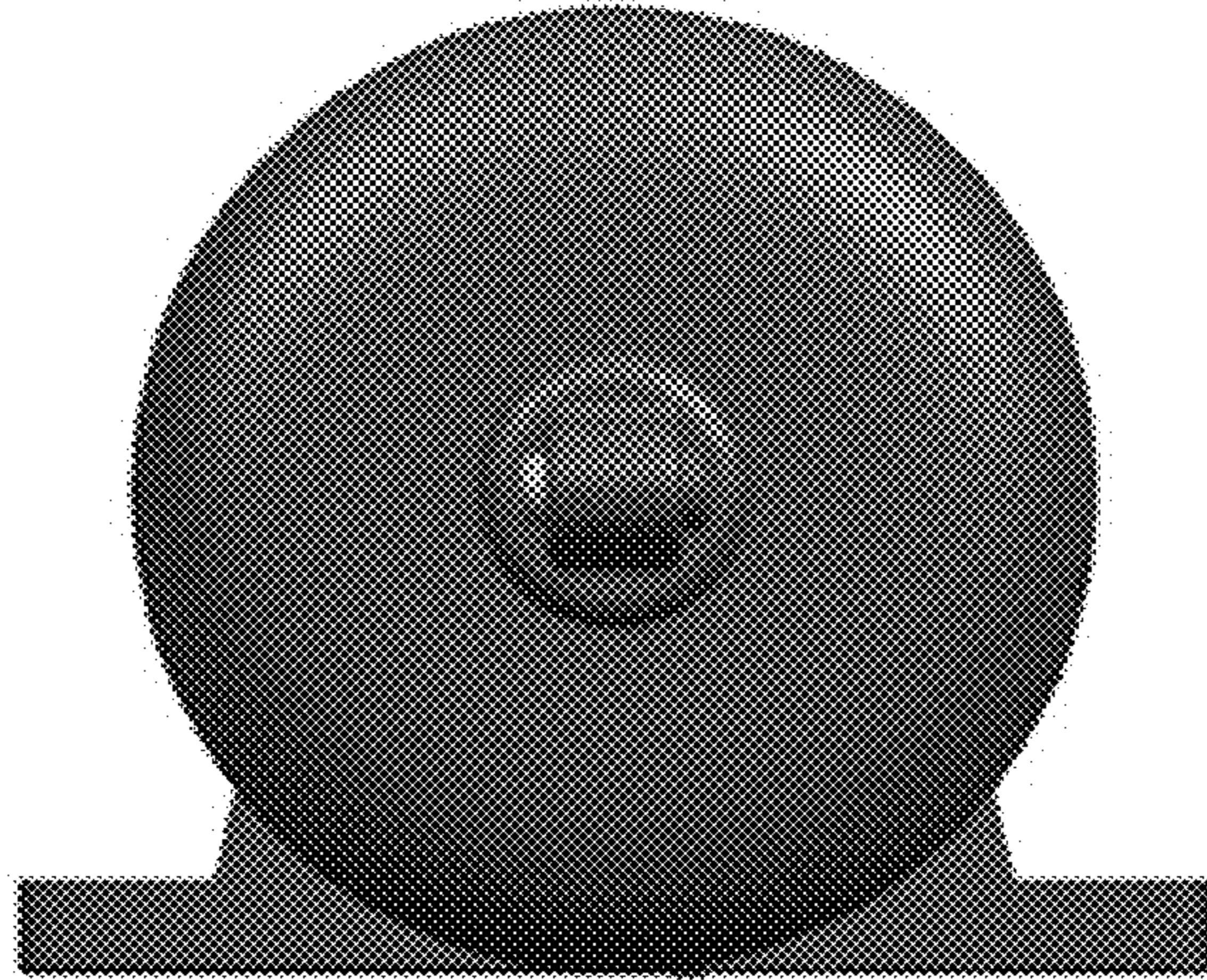


FIG. 4

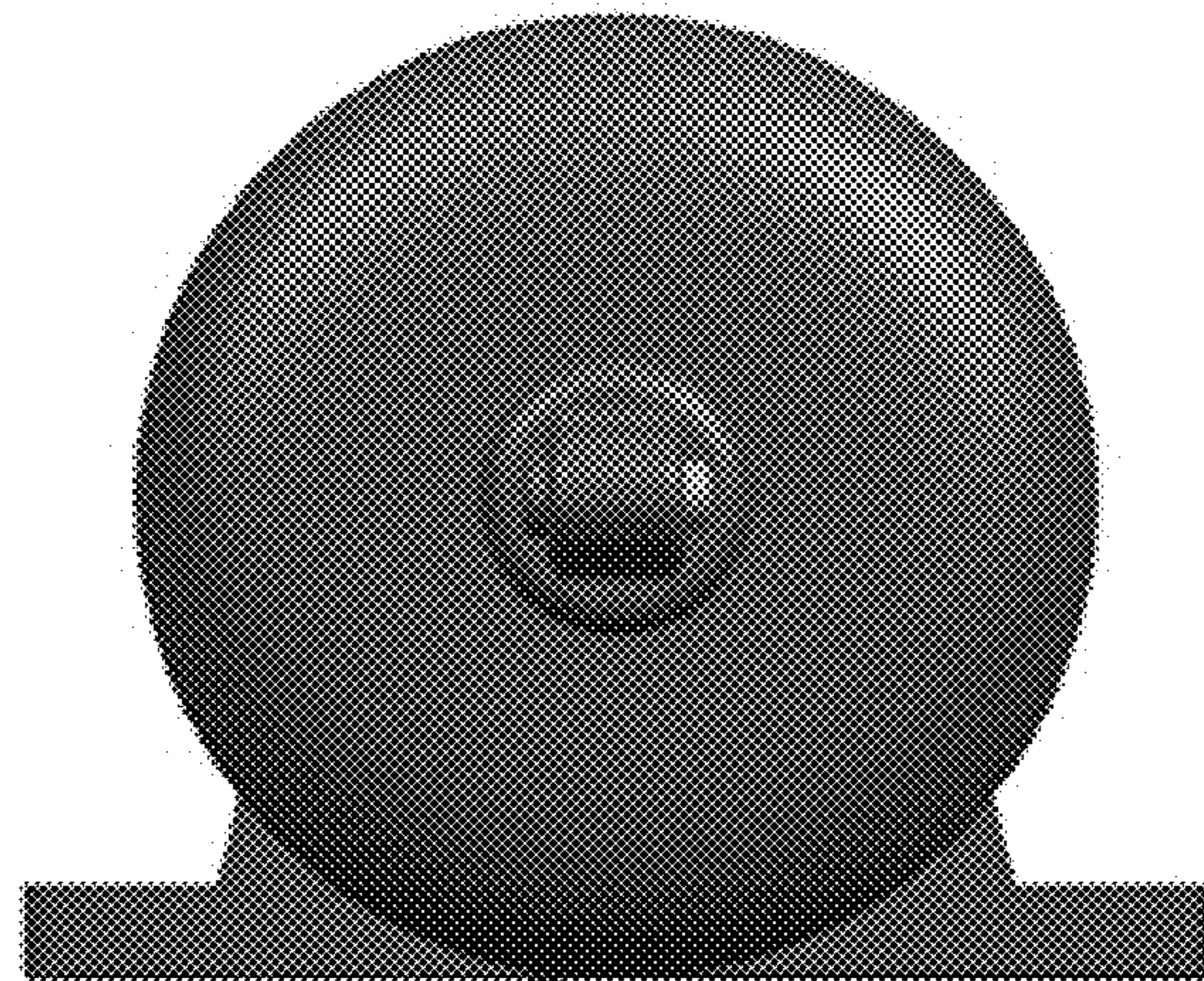


FIG. 5

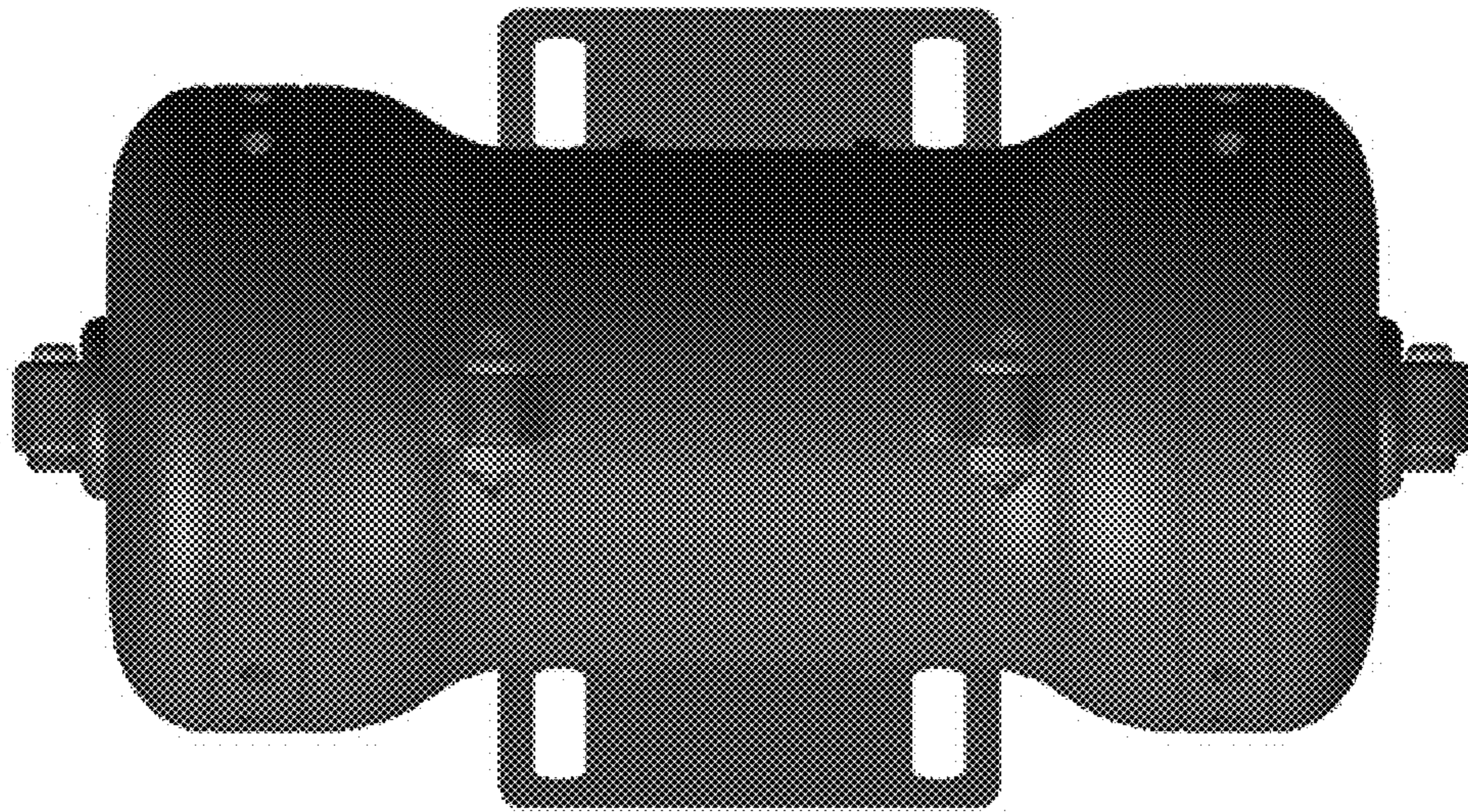


FIG. 6

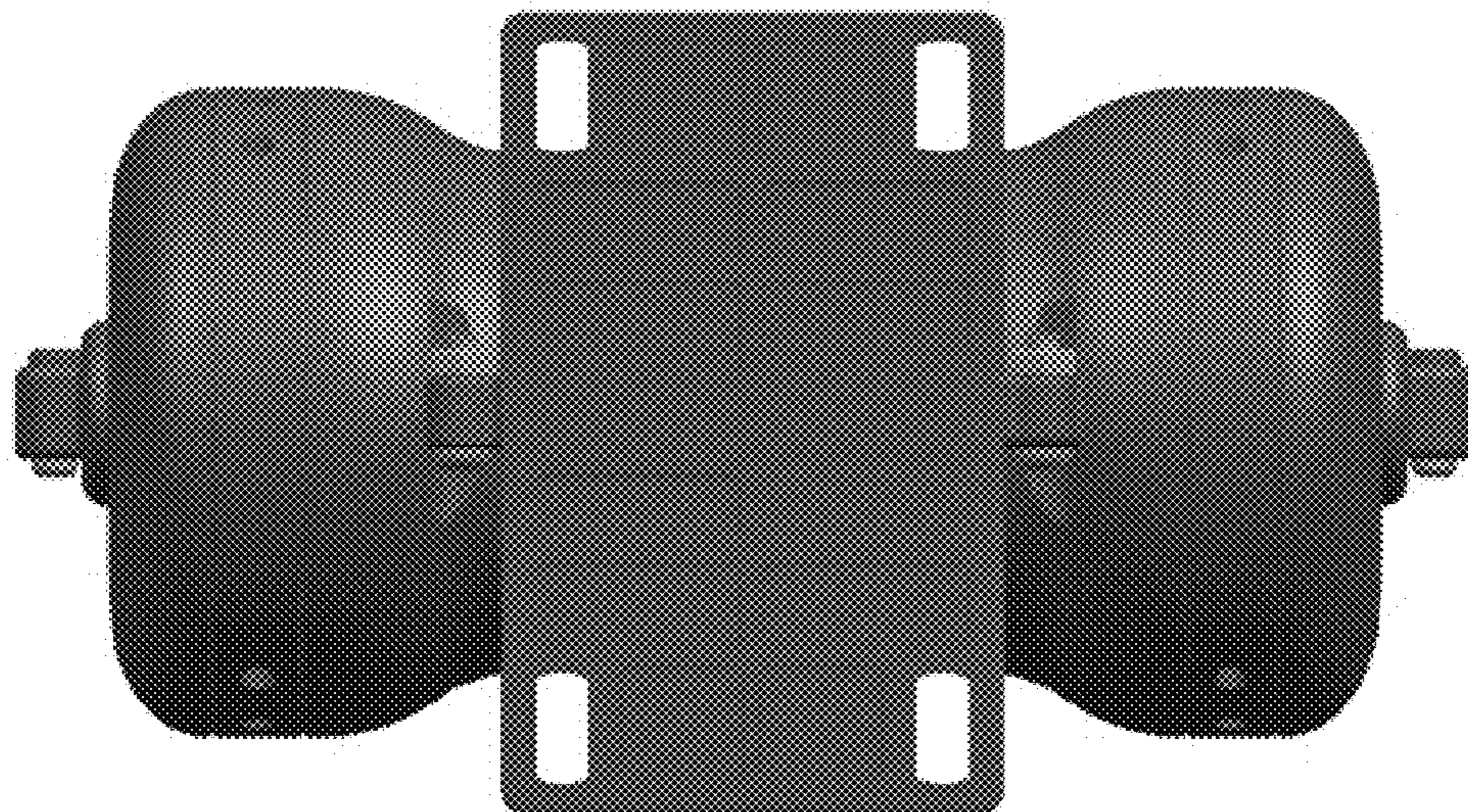


FIG. 7