



US00D767780S

(12) **United States Design Patent**  
**Pursel et al.**

(10) **Patent No.:** **US D767,780 S**

(45) **Date of Patent:** **\*\* Sep. 27, 2016**

(54) **MULTI-EDGE INSTRUMENT FOR  
TREATMENT OF SOFT TISSUE**

(71) Applicant: **Tissue Tools LLC**, Conshohocken, PA  
(US)

(72) Inventors: **Mark W. Pursel**, Grantville, PA (US);  
**Francis X. Osborne**, West  
Conshohocken, PA (US); **Sean P.  
MacNeal**, Conshohocken, PA (US)

(73) Assignee: **Tissue Tools LLC**, Conshohocken, PA  
(US)

(\*\*) Term: **15 Years**

(21) Appl. No.: **29/533,956**

(22) Filed: **Jul. 23, 2015**

(51) **LOC (10) Cl.** ..... **28-03**

(52) **U.S. Cl.**

USPC ..... **D24/214**

(58) **Field of Classification Search**

USPC ..... D24/200, 211, 212, 213, 214, 215;  
601/19, 27-32, 46, 48, 52, DIG. 12,  
601/DIG. 14, DIG. 15, DIG. 16, DIG. 17, 99,  
601/112, 113, 118, 119, 120, 121;  
D30/160; D14/218; D11/26  
CPC ..... A61H 19/30; A61H 19/32; A61H 19/34;  
A61H 19/40; A61H 19/44; A61H 19/50;  
A61H 19/00; A61H 2201/0153; A61H  
2201/0207; A61H 2201/0263; A61H  
2201/0111; A61H 2201/1253; A61H  
2205/082; A61H 2205/085; A61H 15/0085;  
A61H 15/0092

See application file for complete search history.

(56) **References Cited**

**U.S. PATENT DOCUMENTS**

D175,450 S 8/1955 Weiss  
5,231,977 A 8/1993 Graston

D417,281 S 11/1999 East  
6,010,469 A 1/2000 McAtee  
6,077,239 A 6/2000 Lin  
D472,642 S 4/2003 Henckel  
6,641,547 B2 11/2003 Sevier et al.

(Continued)

**OTHER PUBLICATIONS**

Wikipedia, "Graston Technique", downloaded from [http://en.wikipedia.org/wiki/Graston\\_Technique](http://en.wikipedia.org/wiki/Graston_Technique), Apr. 17, 2013.

(Continued)

*Primary Examiner* — Sandra Snapp

(74) *Attorney, Agent, or Firm* — Design IP; James J. Aquilina

(57) **CLAIM**

The ornamental design for a multi-edge instrument for treatment of soft tissue, as shown and described.

**DESCRIPTION**

FIG. 1 is a top perspective view of an embodiment of a multi-edge instrument for treatment of soft tissue showing our new design;

FIG. 2 is a front elevation view thereof;

FIG. 3 is a rear elevation view thereof;

FIG. 4 is a left elevation view thereof;

FIG. 5 is a right elevation view thereof;

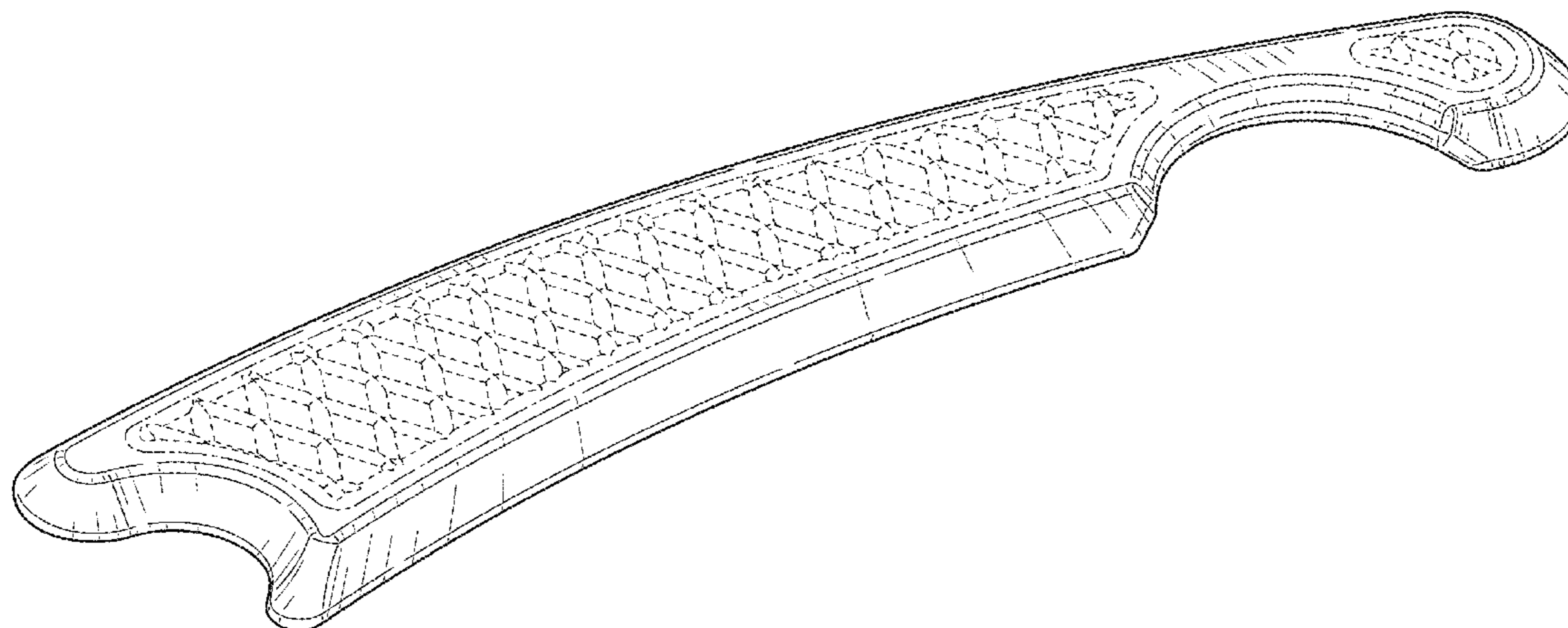
FIG. 6 is a top plan view thereof;

FIG. 7 is a bottom plan view thereof; and,

FIG. 8 is a bottom perspective view thereof.

The dashed broken lines shown in FIGS. 1-8 are included for the purpose of illustrating unclaimed portions of the multi-edge instrument for treatment of soft tissue and form no part of the claimed design. The dash-dot broken lines shown in FIGS. 1 and 6-8 are included for the purpose of illustrating boundaries between claimed and unclaimed subject matter, with the dash-dot broken lines themselves being unclaimed subject matter. The relatively light shade lines in FIGS. 1-8 indicate contour and not surface ornamentation.

**1 Claim, 4 Drawing Sheets**



(56)

References Cited

OTHER PUBLICATIONS

U.S. PATENT DOCUMENTS

D524,445 S 7/2006 Liang  
 D633,627 S 3/2011 Kambic  
 D634,022 S 3/2011 Scappaticci  
 D638,549 S 5/2011 Scappaticci  
 D645,568 S 9/2011 Walker et al.  
 D656,276 S 3/2012 Kurland  
 D678,539 S \* 3/2013 Narson ..... D24/200  
 D681,841 S 5/2013 Scappaticci  
 D683,862 S 6/2013 Hartman  
 D686,333 S 7/2013 Innes  
 D687,962 S 8/2013 DiVittorio et al.  
 D696,414 S 12/2013 Tabe et al.  
 D697,221 S 1/2014 Hall et al.  
 D700,351 S 2/2014 Kojima  
 D728,814 S 5/2015 Pursel et al.  
 D752,239 S \* 3/2016 Stock ..... D24/214  
 D754,869 S \* 4/2016 Stock ..... D24/214

Myo-Bar LLC, "Healing Edge Tools for IASTM", downloaded from [http://myo-bar.com/individual\\_tool\\_info/healing\\_edge\\_tools\\_for\\_iastm](http://myo-bar.com/individual_tool_info/healing_edge_tools_for_iastm), Apr. 17, 2013.  
 Adhesion Breakers, "5PC. Set AB1 Thru AB5 Includes Carrying Bag", downloaded from <http://www.adhesionbreakers.com/shop/5pc-set-ab1-thru-ab5-includes-carrying-bag/>, Apr. 17, 2013.  
 Bio-Edge Tool, downloaded from <http://www.bioedgetool.com/>, Apr. 17, 2013.  
 Hawkgrrips HG4-HG9 Tools, downloaded from <http://www.hawkgrrips.com/products/>, Jul. 7, 2015.  
 Myofascial Releaser Ellipse3, Ellipse4, and Ergo Tools, downloaded from <http://www.myofascialreleaser.com/product/prd1/>, Jul. 7, 2015.

\* cited by examiner

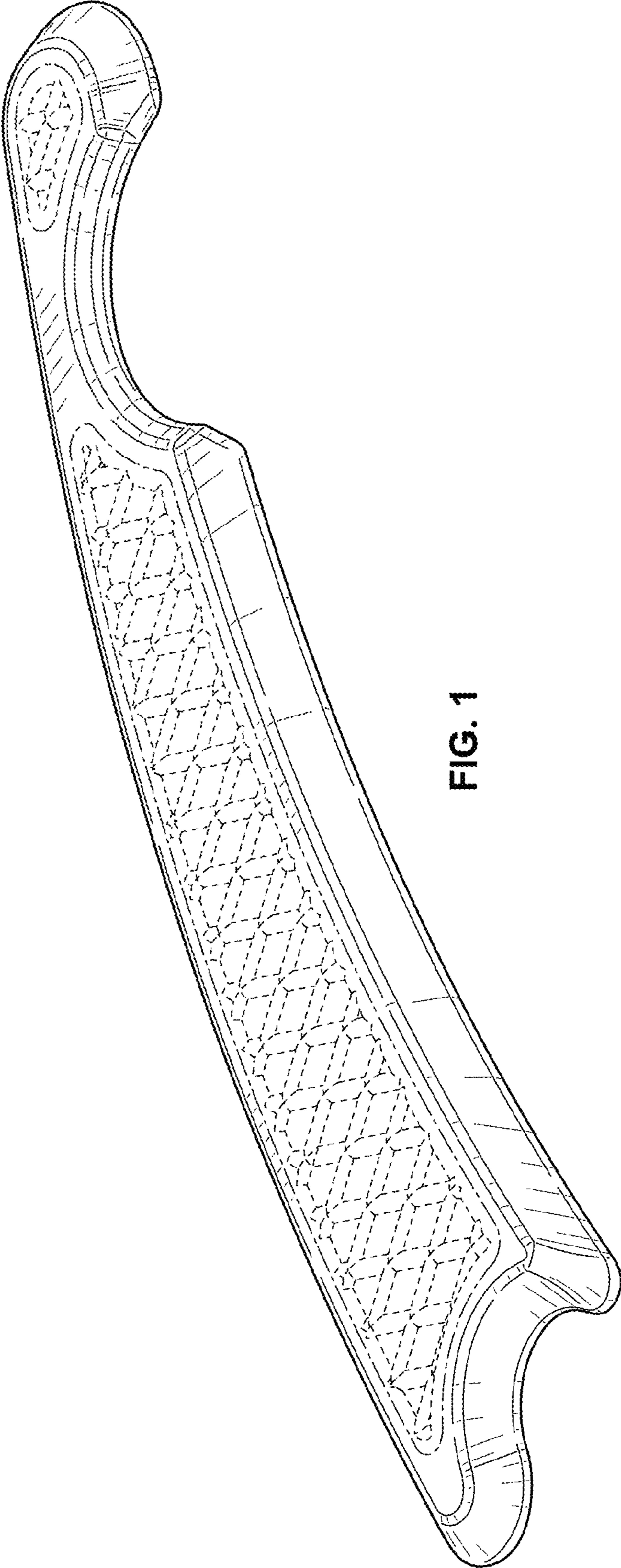


FIG. 1



FIG. 2

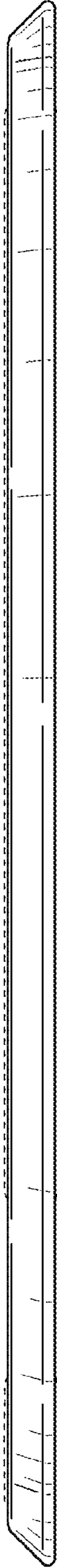


FIG. 3



FIG. 4



FIG. 5

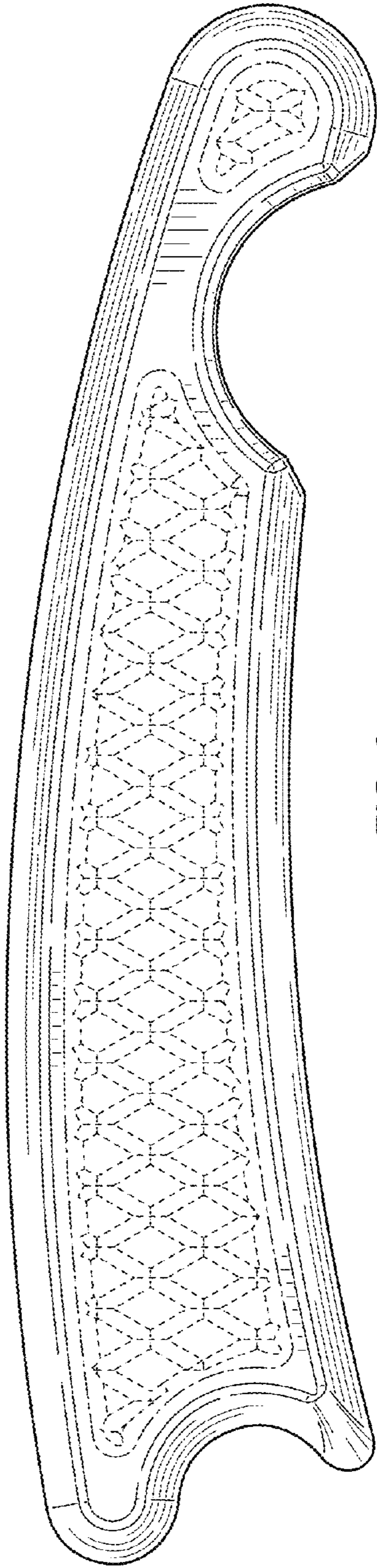


FIG. 6

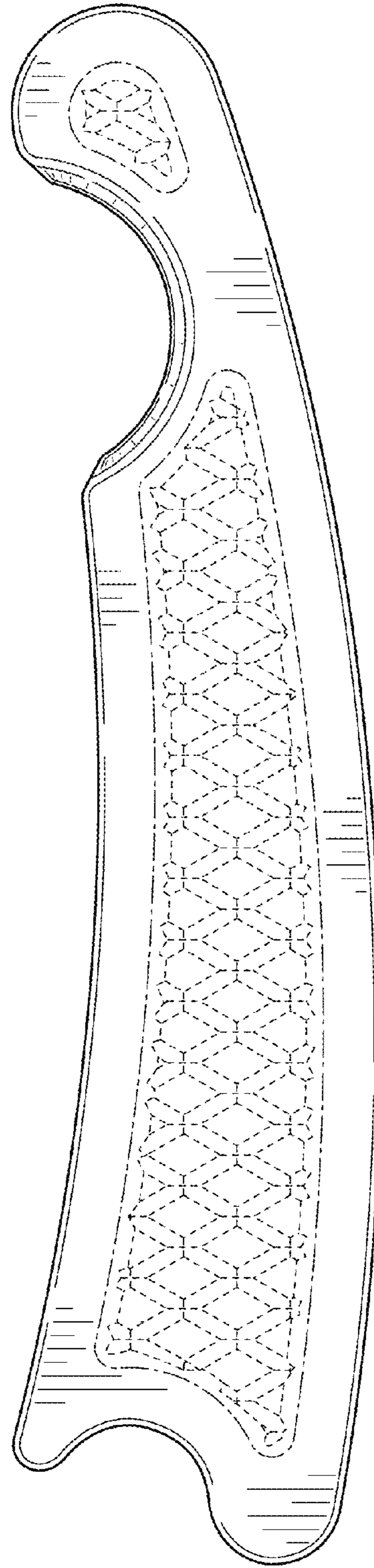


FIG. 7

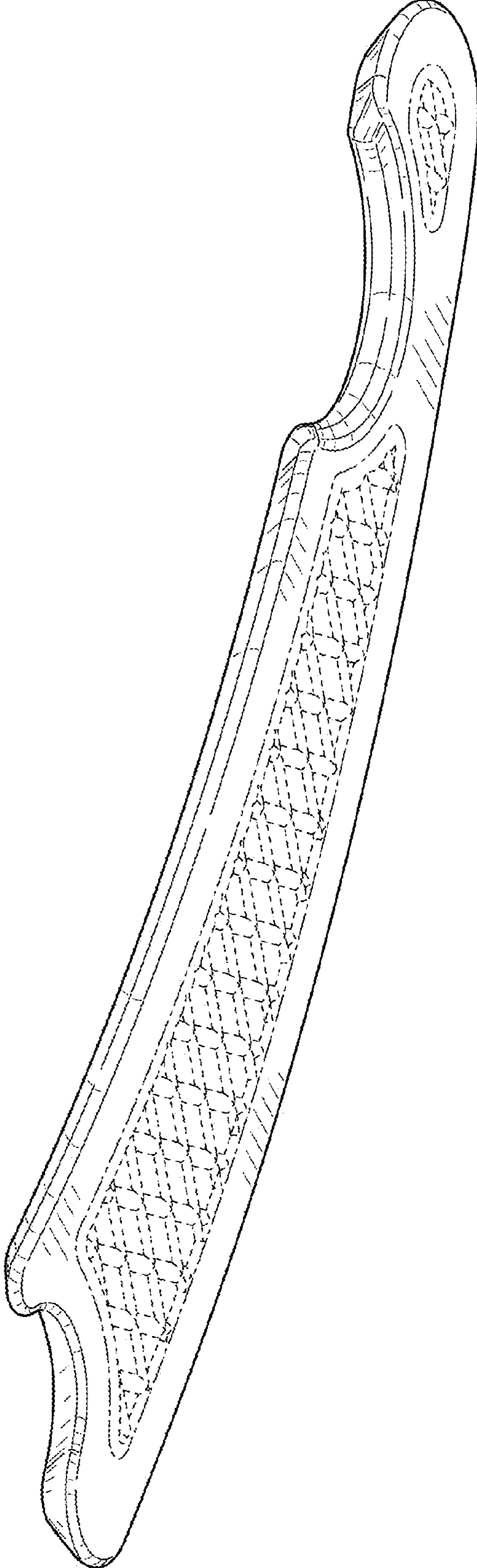


FIG. 8