



US00D767778S

(12) **United States Design Patent**
Geringer

(10) **Patent No.:** **US D767,778 S**

(45) **Date of Patent:** **** Sep. 27, 2016**

- (54) **KNEE AND ELBOW ICER**
- (71) Applicant: **Sheldon Geringer**, Aiea, HI (US)
- (72) Inventor: **Sheldon Geringer**, Aiea, HI (US)
- (**) Term: **15 Years**
- (21) Appl. No.: **29/527,840**
- (22) Filed: **May 22, 2015**
- (51) **LOC (10) Cl.** **24-04**
- (52) **U.S. Cl.**
USPC **D24/207**
- (58) **Field of Classification Search**
USPC D24/206–208, 200; D9/516, 531, 738
CPC A61F 7/0085; A61F 7/02; A61F 7/10;
A61F 7/103; A61F 2007/0001; A61F
2007/0032; A61F 2007/0039; A61F
2007/0042; A61F 2007/0056; A61F
2007/0063; A61F 2007/022; A61F 2007/105;
A61F 2007/108; B65D 1/42; B65D 1/0223
See application file for complete search history.

(56) **References Cited**

U.S. PATENT DOCUMENTS

- 2,783,807 A * 3/1957 Duffield A61F 2007/0001
383/3
- 2,792,830 A * 5/1957 Dacey A61H 23/02
D24/206

- D298,458 S * 11/1988 Margolin D13/179
- 6,416,532 B1 * 7/2002 Fallik A61F 7/02
607/104
- 6,567,696 B2 * 5/2003 Voznesensky A61F 7/007
607/108
- 2009/0048650 A1 * 2/2009 Junkins A61F 7/103
607/112

* cited by examiner

Primary Examiner — Wan Laymon

(74) *Attorney, Agent, or Firm* — Dunlap Bennett & Ludwig
PLLC

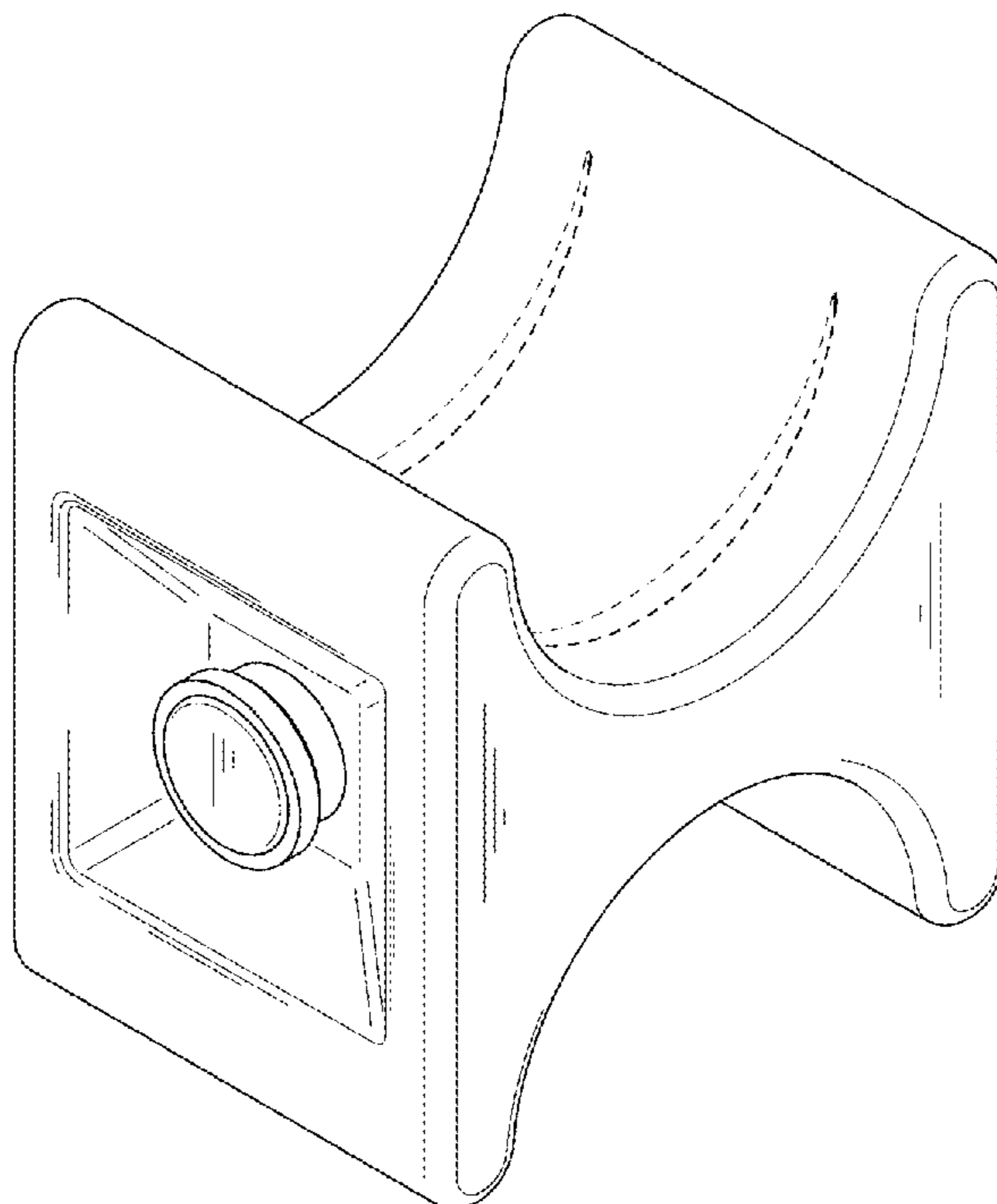
(57) **CLAIM**

The ornamental design for a knee and elbow icer, as shown and described.

DESCRIPTION

FIG. 1 is a front perspective view of a knee and elbow icer; FIG. 2 is a front elevation view thereof; FIG. 3 is a rear elevation view thereof; FIG. 4 is a left side elevation view thereof, the right side elevation view being a mirror image thereof; FIG. 5 is a top plan view thereof; and, FIG. 6 is a bottom plan view thereof. The broken lines shown in the drawings depict portions of the knee and elbow icer that form no part of the claimed design.

1 Claim, 3 Drawing Sheets



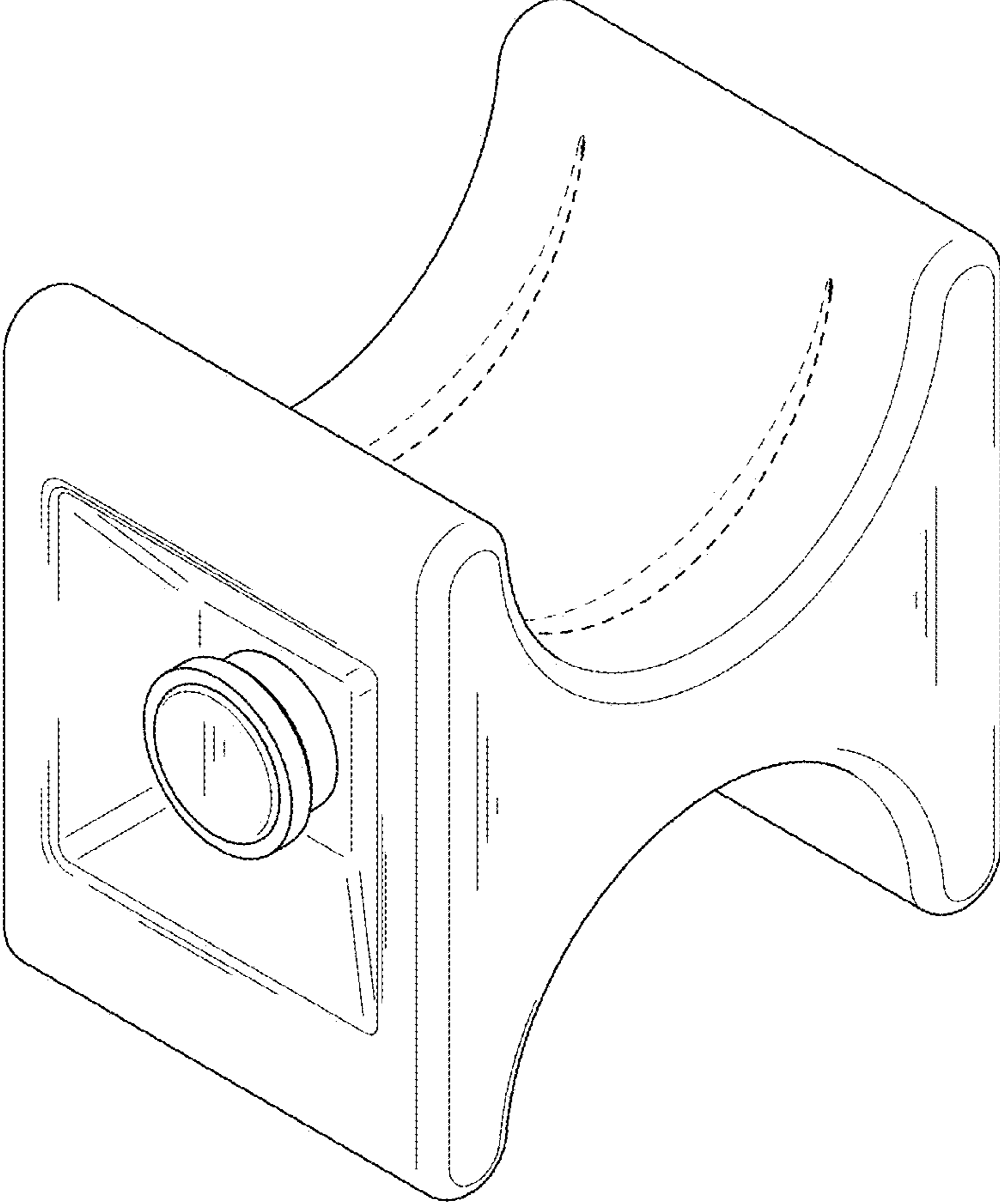


FIG. 1

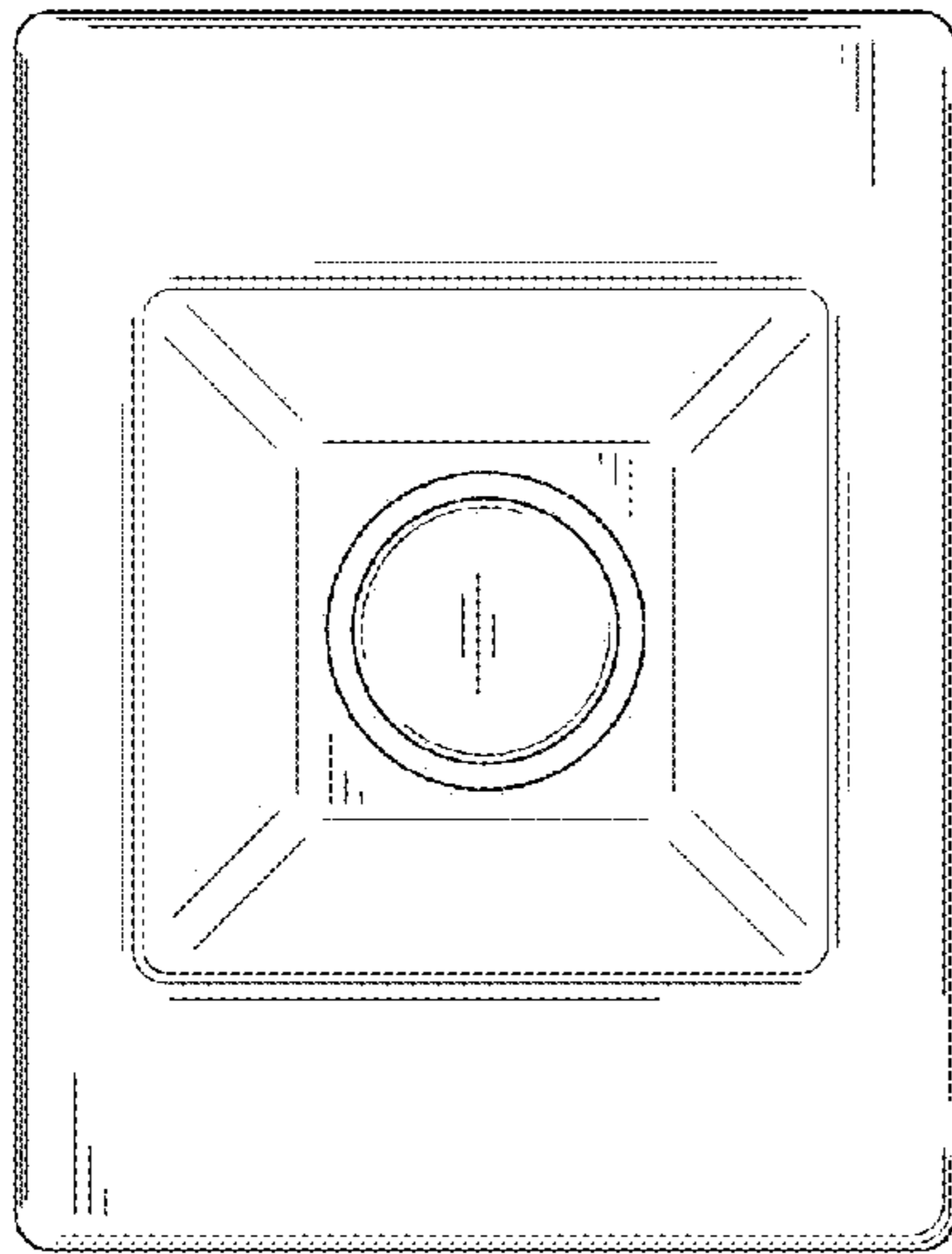


FIG. 2

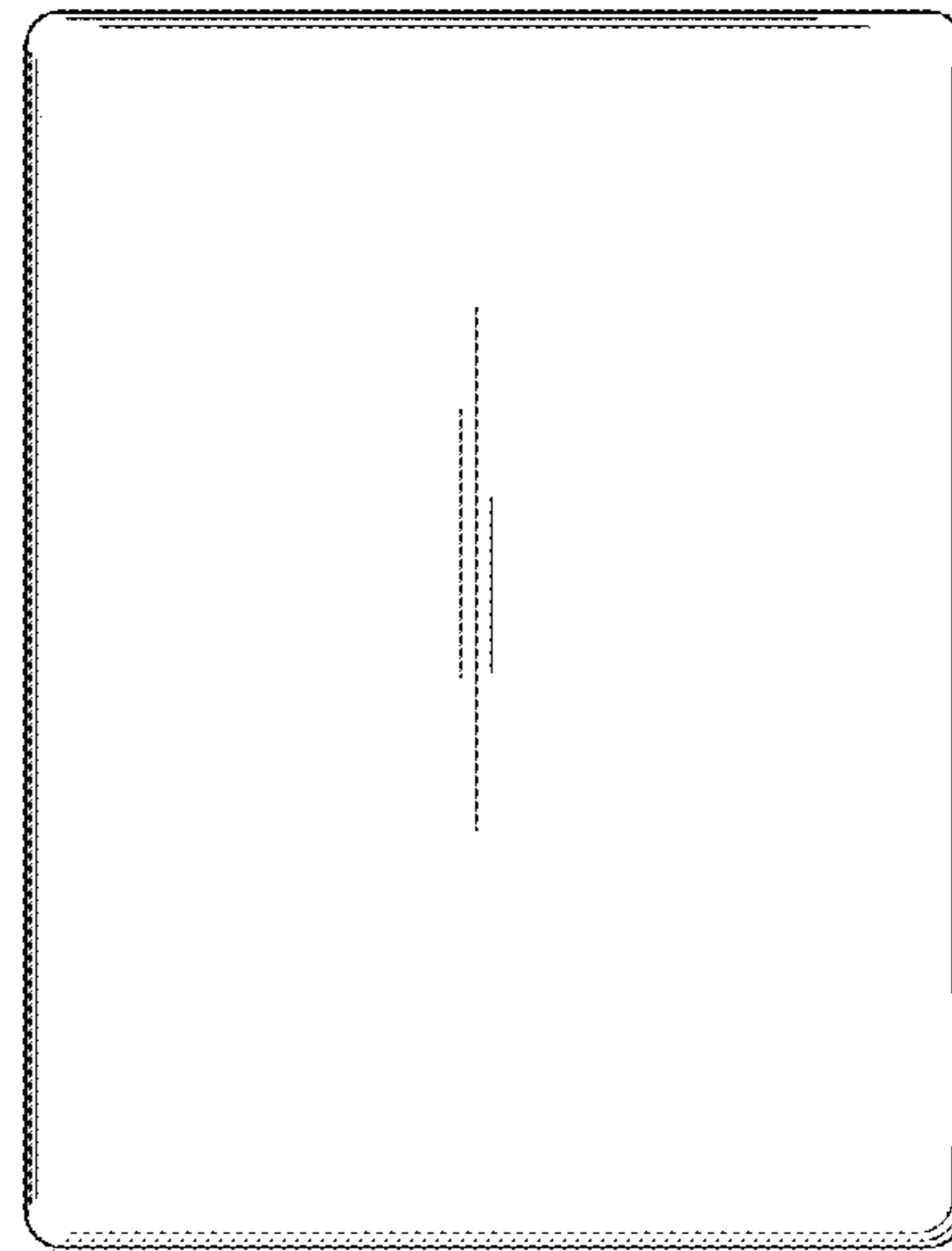


FIG. 3

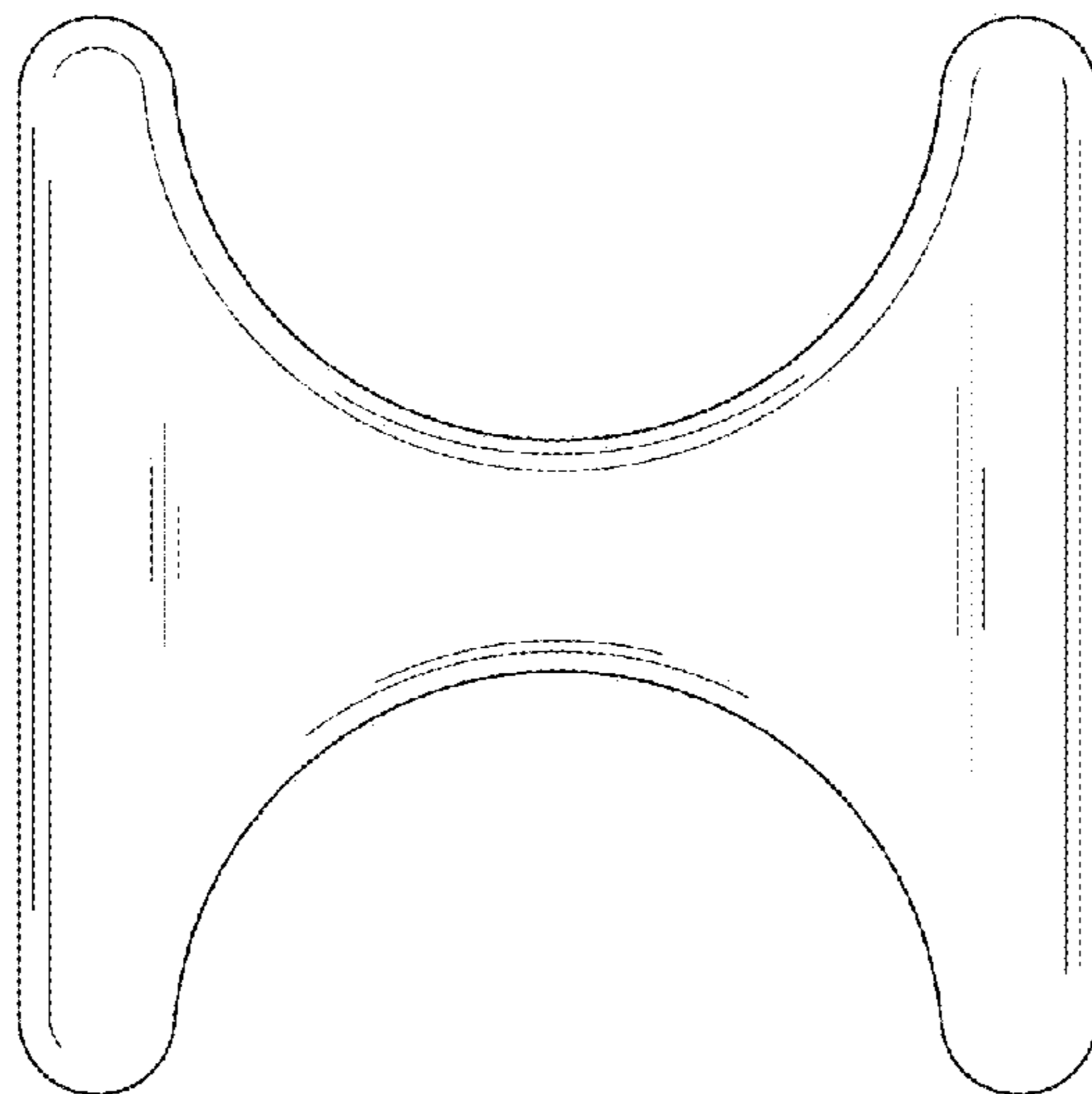


FIG. 4

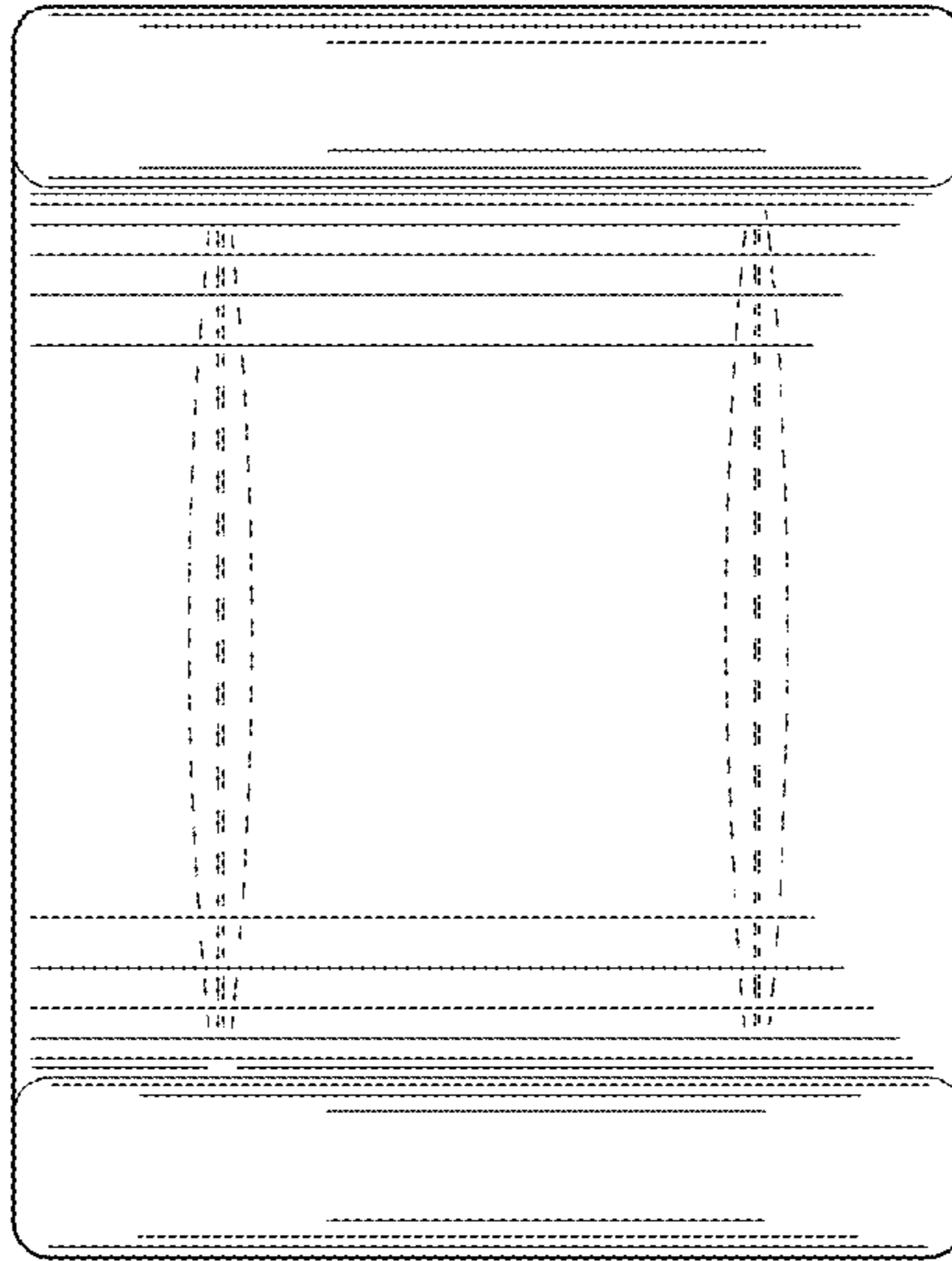


FIG. 5

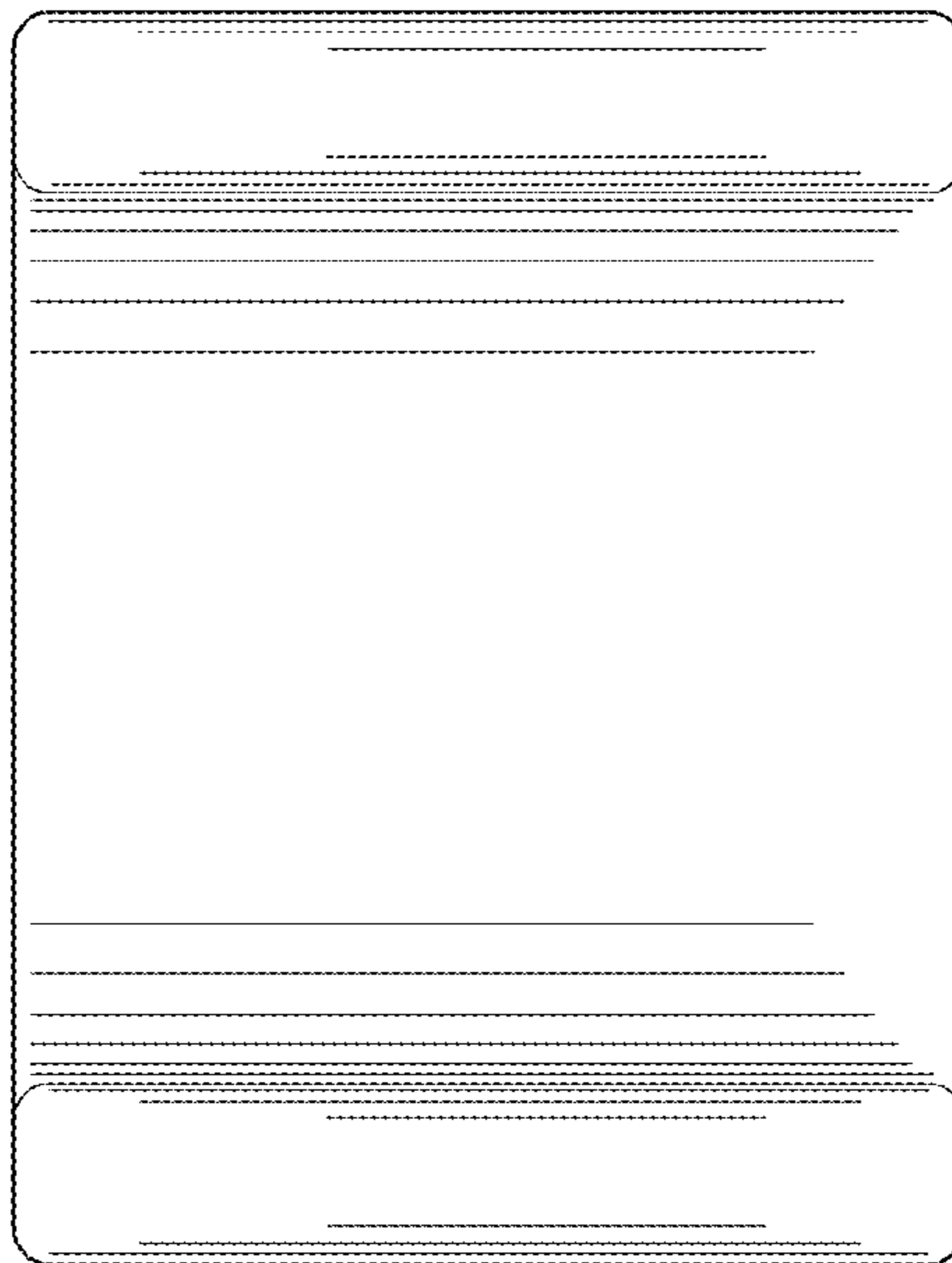


FIG. 6