



US00D767772S

(12) **United States Design Patent**
Jiminez

(10) **Patent No.:** **US D767,772 S**

(45) **Date of Patent:** **** *Sep. 27, 2016**

- (54) **SLEEVE**
- (71) Applicant: **Andre Jiminez**, Jersey City, NJ (US)
- (72) Inventor: **Andre Jiminez**, Jersey City, NJ (US)
- (73) Assignee: **IdeaVillage Products Corp.**, Wayne, NJ (US)
- (*) Notice: This patent is subject to a terminal disclaimer.
- (**) Term: **14 Years**
- (21) Appl. No.: **29/474,856**
- (22) Filed: **Mar. 2, 2015**
- (51) **LOC (10) Cl.** **24-01**
- (52) **U.S. Cl.**
USPC **D24/190**
- (58) **Field of Classification Search**
USPC D2/610, 624, 901, 860, 703; D24/190;
D29/120.1; 601/46; 602/60, 6, 5; 2/22
CPC .. A41D 13/06; A41D 13/08; A41D 2400/38;
A41D 3/06
See application file for complete search history.

(56) **References Cited**

U.S. PATENT DOCUMENTS

D282,409 S *	2/1986	Dryzal	D2/860
D487,171 S *	2/2004	Miller	D29/120.1
D580,063 S *	11/2008	Lin	D24/190
D580,065 S *	11/2008	Lin	D24/190
7,615,024 B2 *	11/2009	Chiang	A61F 5/01 602/5
D623,758 S *	9/2010	Chiang	D24/190
D623,759 S *	9/2010	Chiang	D24/190
D630,333 S *	1/2011	Chiang	D24/190
D635,266 S *	3/2011	Chiang	D24/190
D706,430 S *	6/2014	Strebeigh	D24/190

D707,361 S *	6/2014	Banks	D24/190
8,764,688 B1 *	7/2014	Nauman	A61H 23/0263 601/46
D726,327 S *	4/2015	Tanaka	D24/190
D728,805 S *	5/2015	Tanaka	D24/190
D733,995 S *	7/2015	Callahan	D2/703
D746,997 S *	1/2016	Higgins	D24/190
2005/0049536 A1 *	3/2005	Chiang	A61F 13/061 602/60
2013/0160176 A1 *	6/2013	Magri	A41D 13/0543 2/22

FOREIGN PATENT DOCUMENTS

JP	4709722 B2 *	6/2011
JP	5627336 B2 *	11/2014
JP	5627346 B2 *	11/2014

* cited by examiner

Primary Examiner — Manpreet Matharu

Assistant Examiner — Keith Wilson

(74) *Attorney, Agent, or Firm* — Dan DeLaRosa

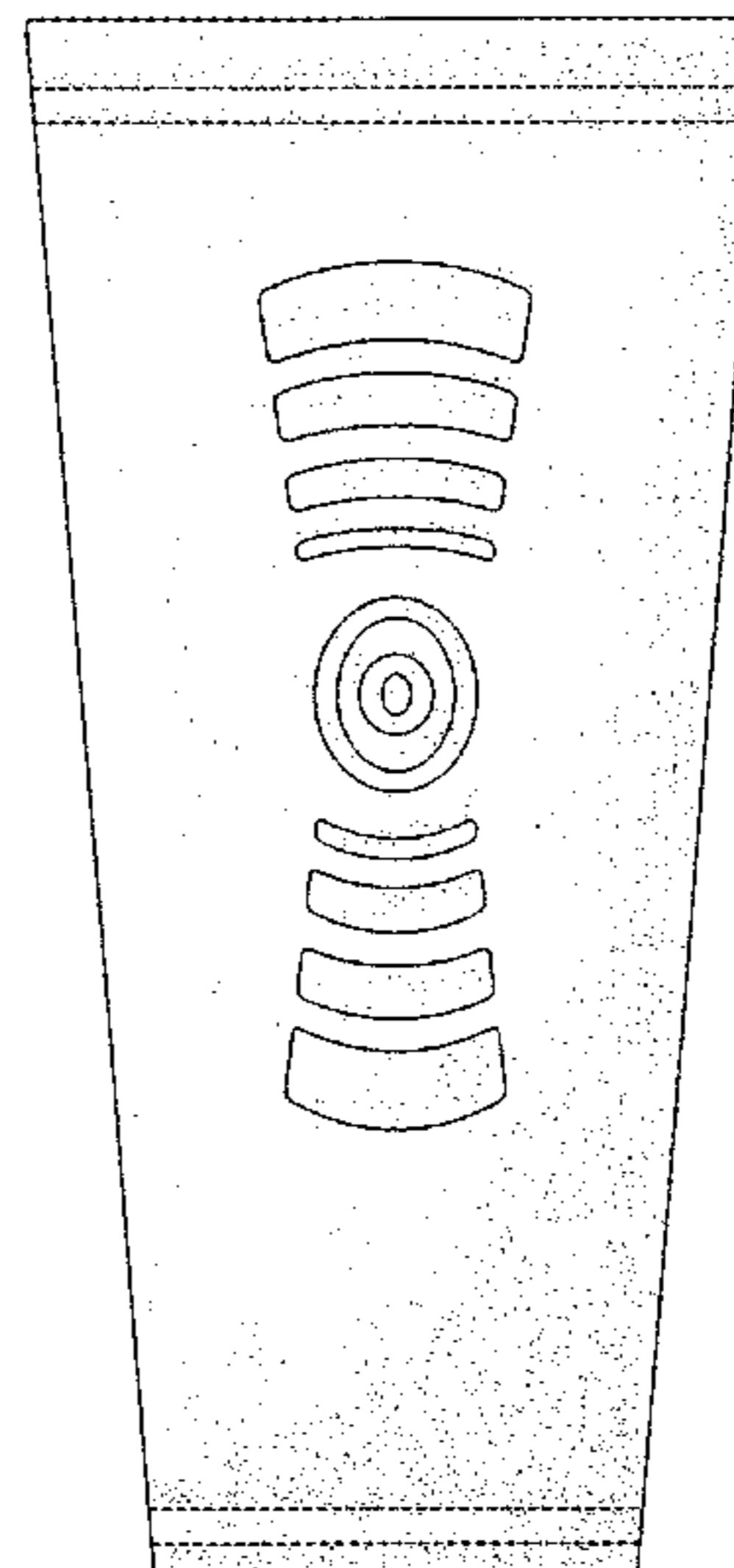
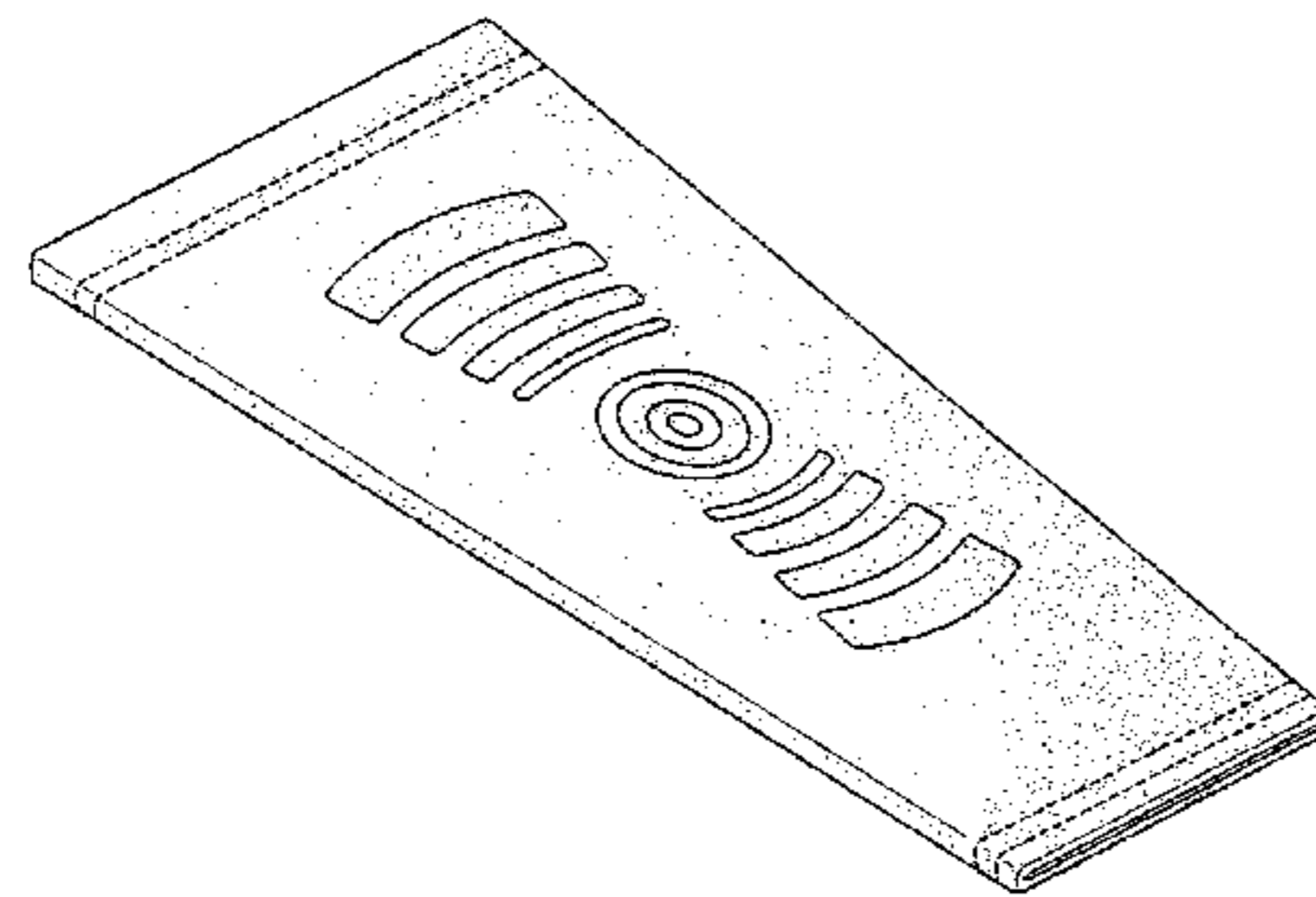
(57) **CLAIM**

The ornamental design for a sleeve, as shown and described.

DESCRIPTION

FIG. 1 is a front perspective view of the sleeve of the present invention showing my new design;
 FIG. 2 is a front side elevation view thereof;
 FIG. 3 is back side elevation view thereof;
 FIG. 4 is a side elevation view thereof;
 FIG. 5 is another side elevation view thereof
 FIG. 6 is a top plan view thereof;
 FIG. 7 is a bottom plan view thereof; and,
 FIG. 8 is a perspective view of the sleeve in use.
 The broken lines shown in the figure drawings illustrate stitching.

1 Claim, 6 Drawing Sheets



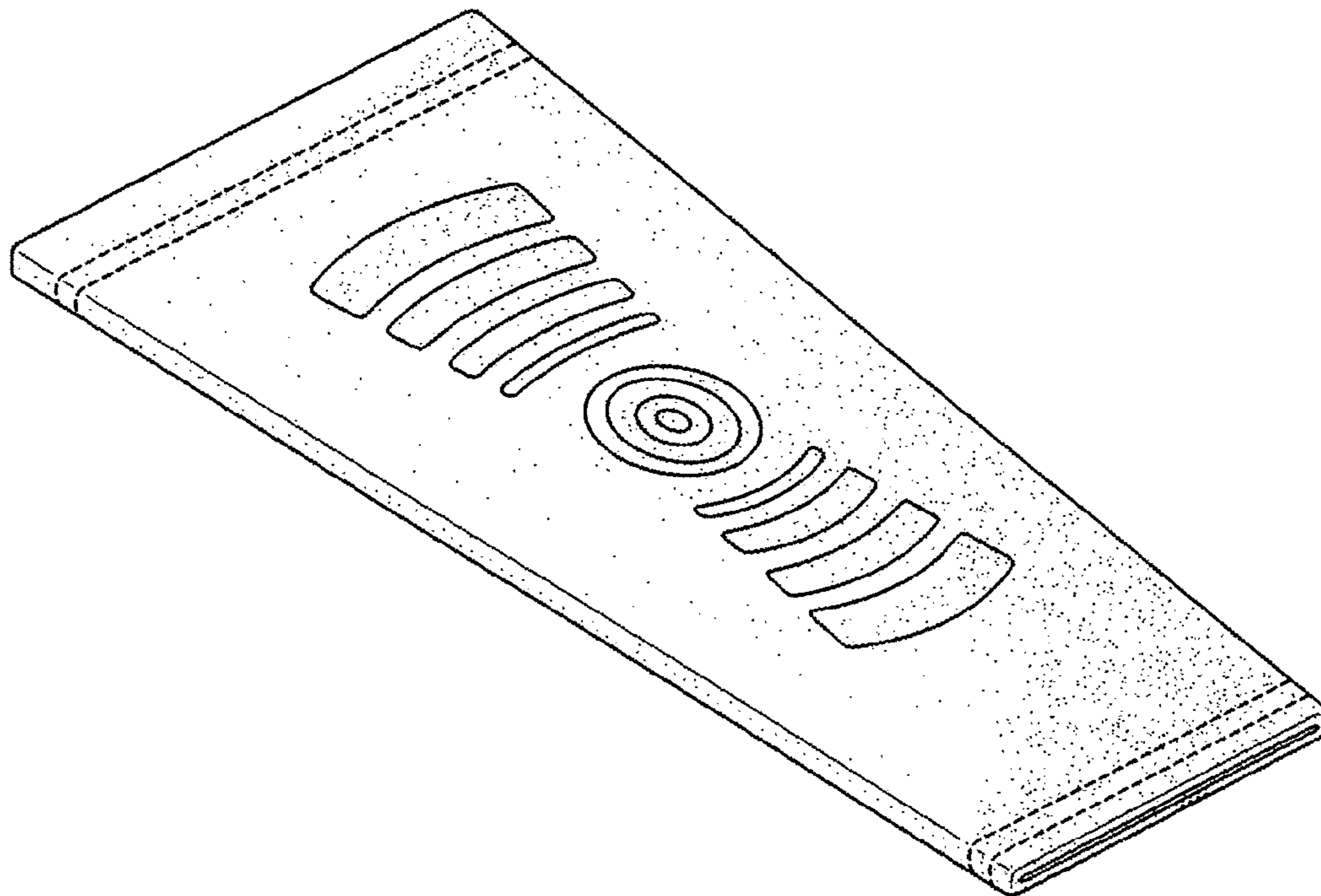


FIG. 1

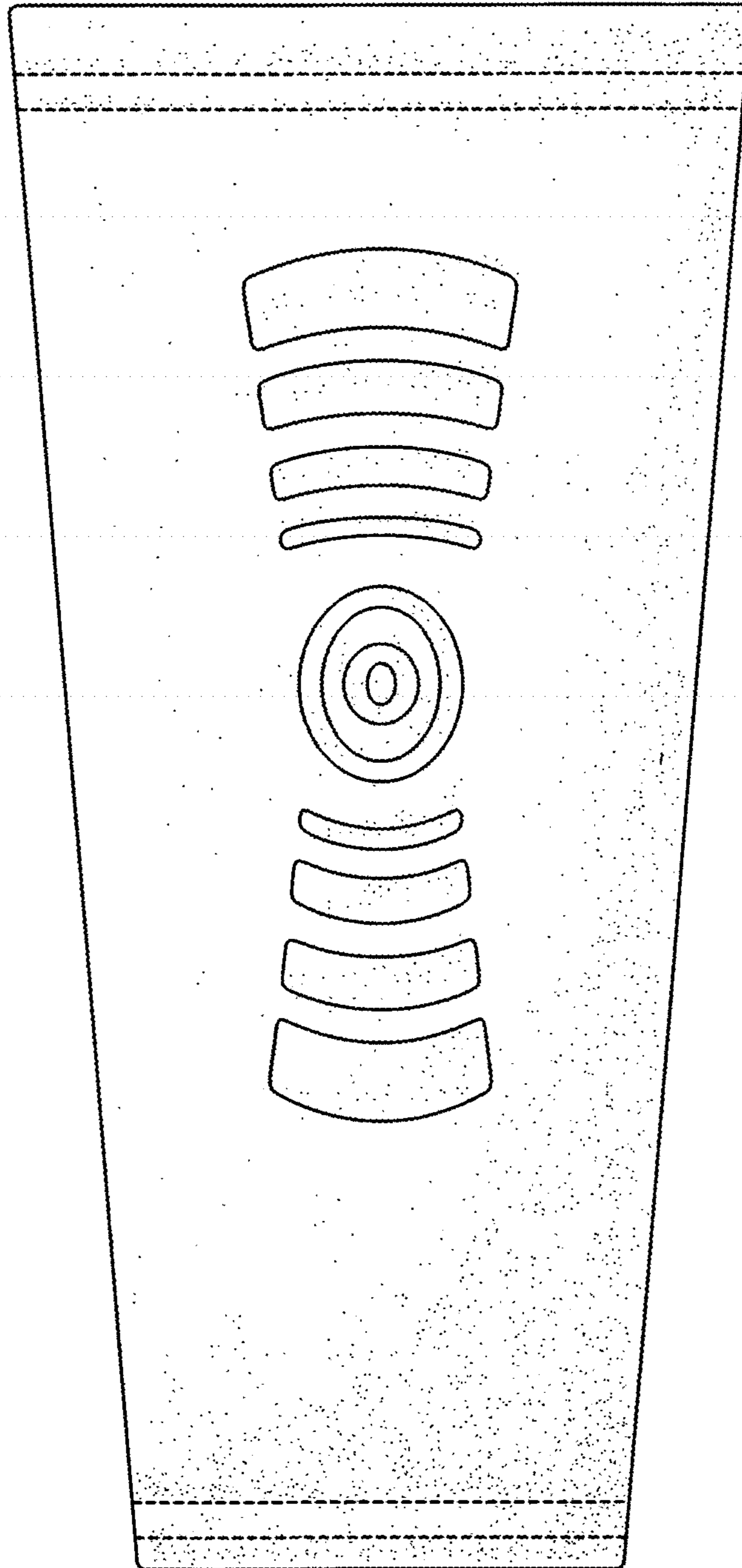


FIG. 2

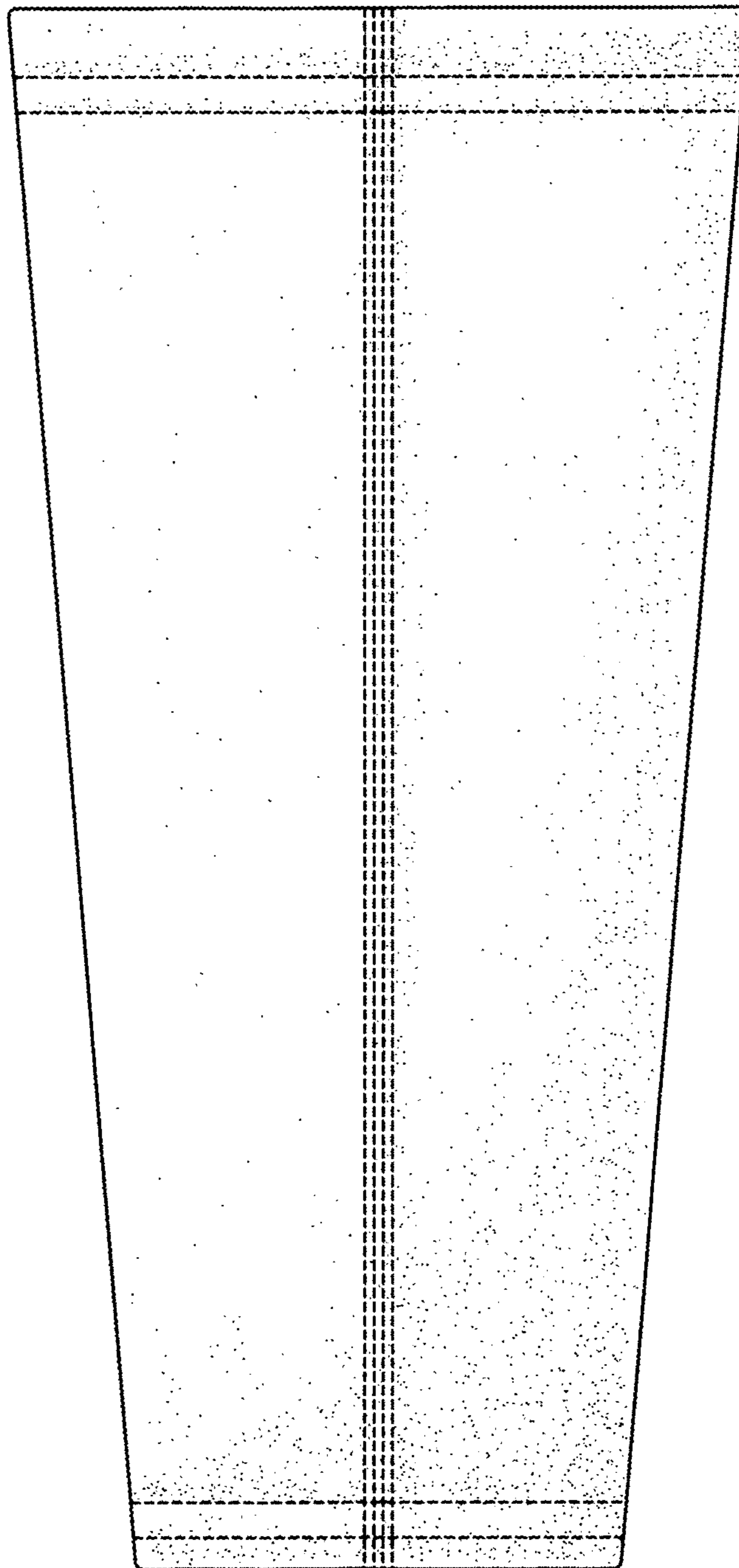


FIG. 3



FIG. 4



FIG. 5

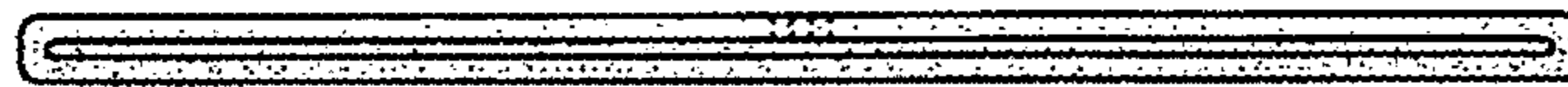


FIG. 6

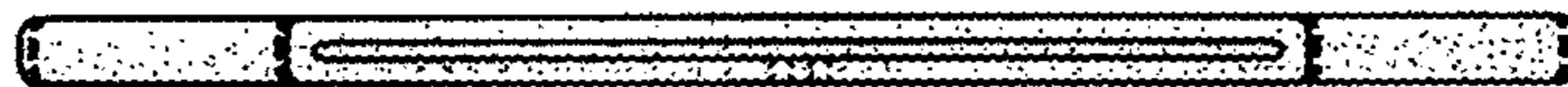


FIG. 7

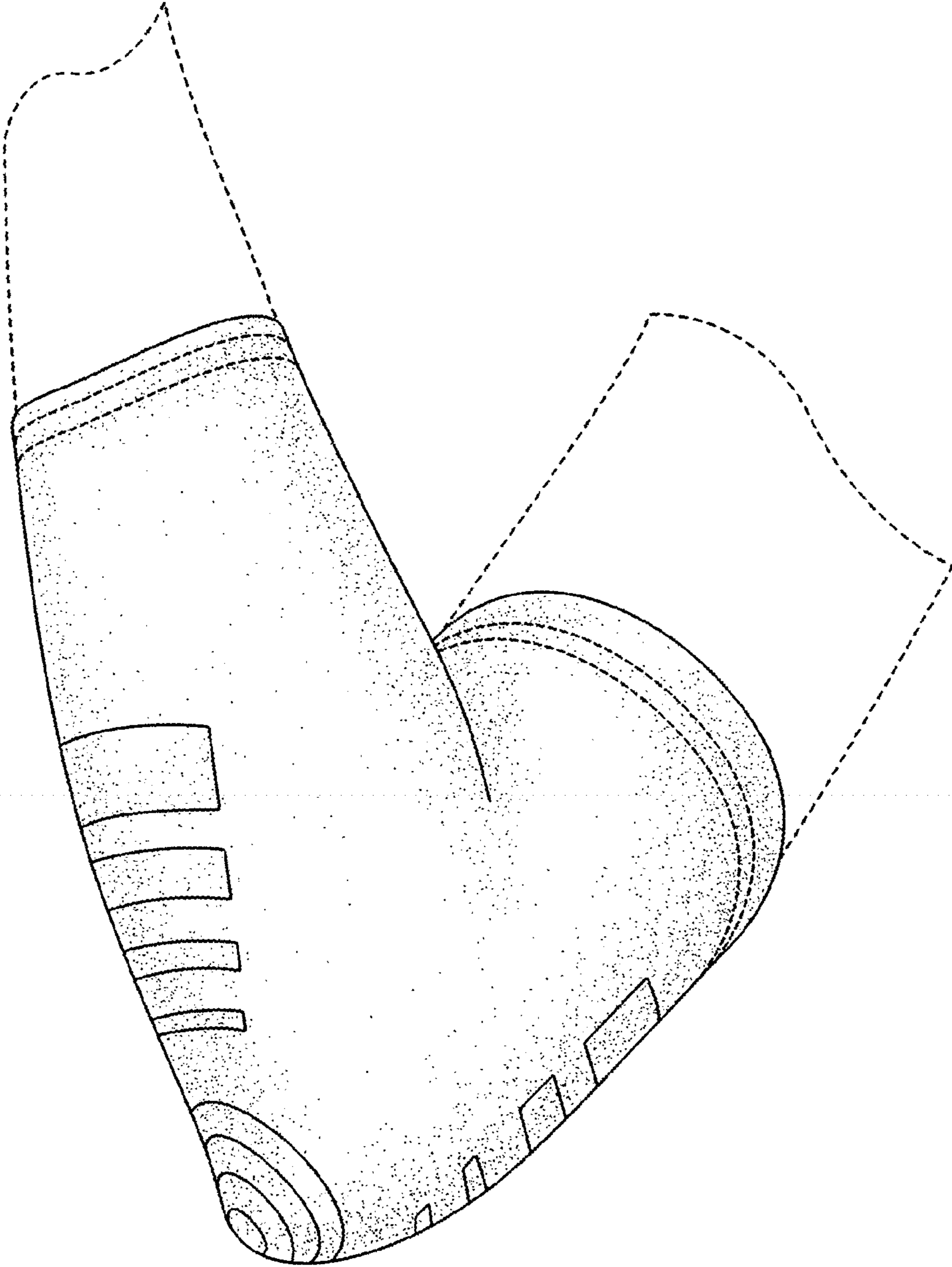


FIG. 8