



US00D767769S

(12) **United States Design Patent**
Suvilaakso

(10) **Patent No.:** **US D767,769 S**

(45) **Date of Patent:** **** Sep. 27, 2016**

(54) **PERSONAL LIFESTYLE MONITORING AND MANAGEMENT DEVICE**

(71) Applicant: **Polar Electro Oy**, Kempele (FI)

(72) Inventor: **Anna-Marja Suvilaakso**, Oulu (FI)

(73) Assignee: **POLAR ELECTRO OY**, Kempele (FI)

(**) Term: **15 Years**

(21) Appl. No.: **29/530,942**

(22) Filed: **Jun. 22, 2015**

(30) **Foreign Application Priority Data**

Dec. 29, 2014 (EM) 002606574-0001

(51) **LOC (10) Cl.** **24-02**

(52) **U.S. Cl.**

USPC **D24/186**

(58) **Field of Classification Search**

USPC D24/165-168, 186, 187, 107, 231;
D10/70, 75, 98, 30-32, 38; D11/3-5;
D14/344, 138 R

CPC .. A61B 5/6802; A61B 5/681; A61B 5/6824;
A61B 2560/0412; A61B 2560/0431; A61B
2560/0443; A61B 2560/0462; A61B
2560/0468; A61B 5/02405; A61B 5/02411;
A61B 5/02427; A61B 5/02438; A61B 5/002;
G08B 21/0211

See application file for complete search history.

(56) **References Cited**

U.S. PATENT DOCUMENTS

7,341,561 B2 * 3/2008 Tanaka A61B 5/02438
600/344
D680,651 S * 4/2013 Lumme D24/167

D720,074 S * 12/2014 Suvilaakso D24/167
D725,497 S * 3/2015 Henne D10/38
D736,652 S * 8/2015 Isaacs D10/32
2014/0268522 A1 * 9/2014 Tanaka A61B 5/681
361/679.01
2016/0022213 A1 * 1/2016 Lee A61B 5/6824
600/301

* cited by examiner

Primary Examiner — Anhdao Doan

(74) *Attorney, Agent, or Firm* — Hoffmann & Baron, LLP

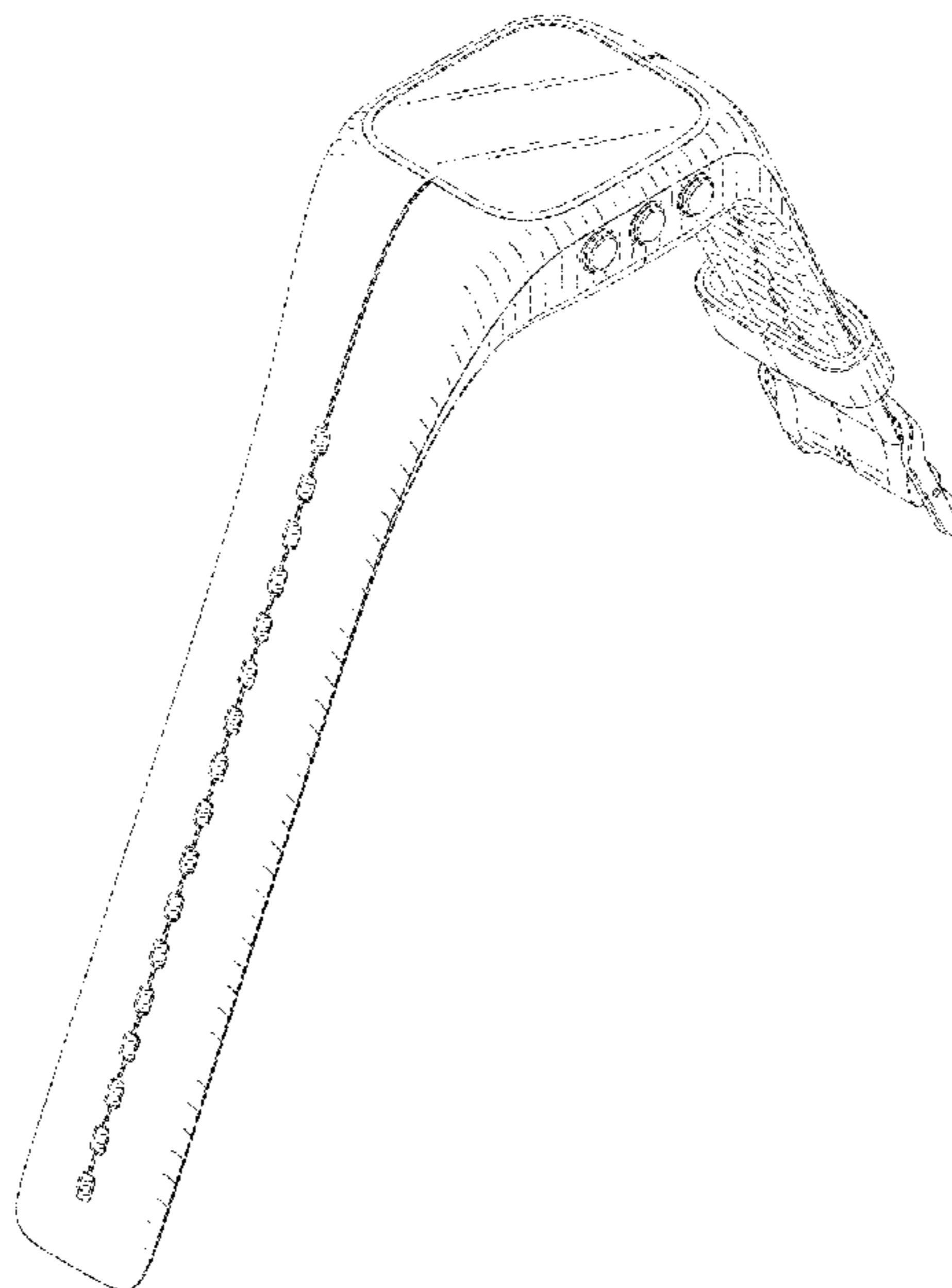
(57) **CLAIM**

The ornamental design for a personal lifestyle monitoring and management device, as shown and described.

DESCRIPTION

FIG. 1 is an isometric view of a personal lifestyle monitoring and management device;
FIG. 2 is a left-side view of the personal lifestyle monitoring and management device;
FIG. 3 is a right-side view of the personal lifestyle monitoring and management device;
FIG. 4 is a top view of the personal lifestyle monitoring and management device;
FIG. 5 is a bottom-end view of the personal lifestyle monitoring and management device;
FIG. 6 is a top-end view of the personal lifestyle monitoring and management device; and,
FIG. 7 is a bottom view of the personal lifestyle monitoring and management device.

1 Claim, 7 Drawing Sheets



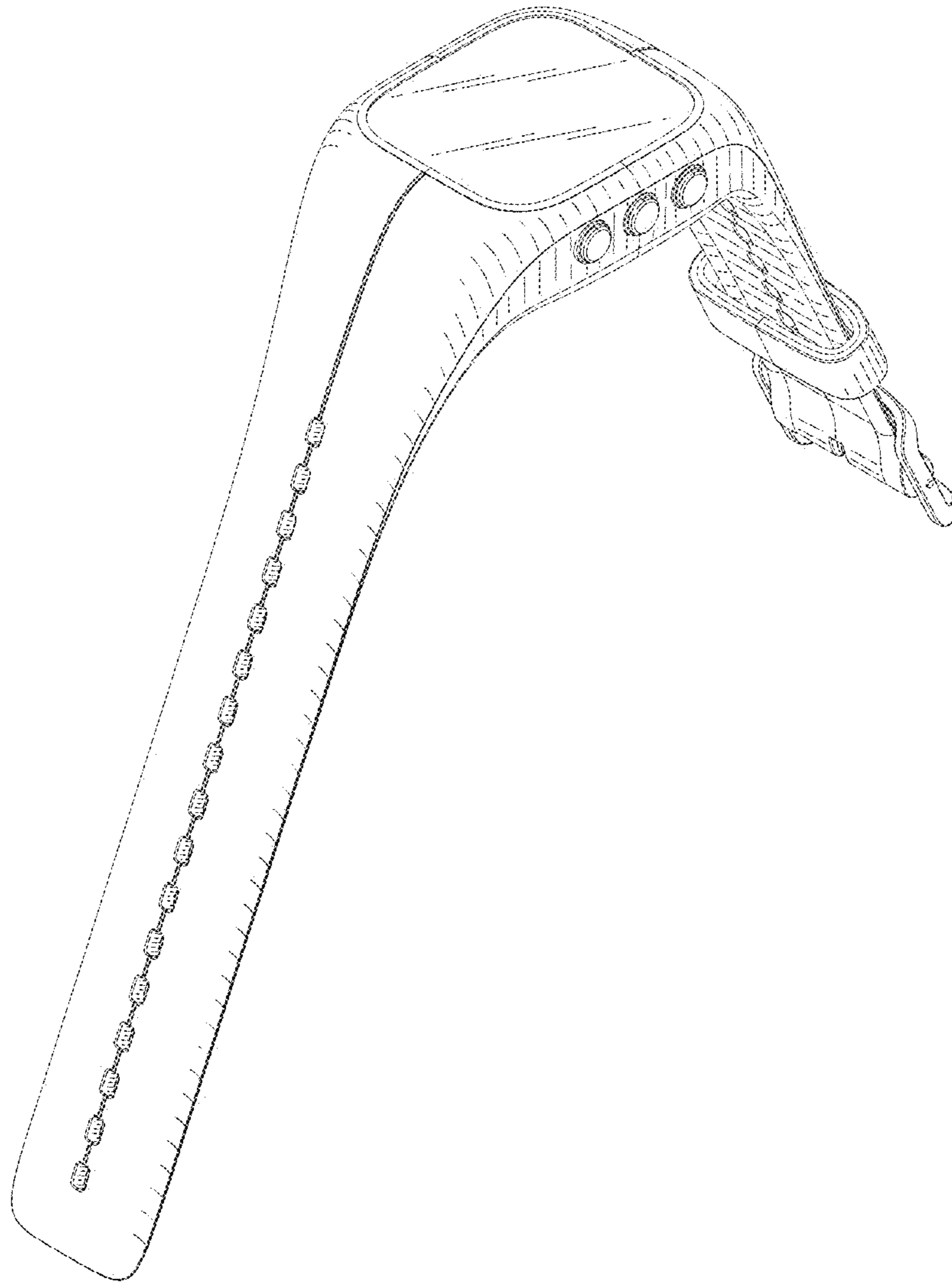


FIG. 1

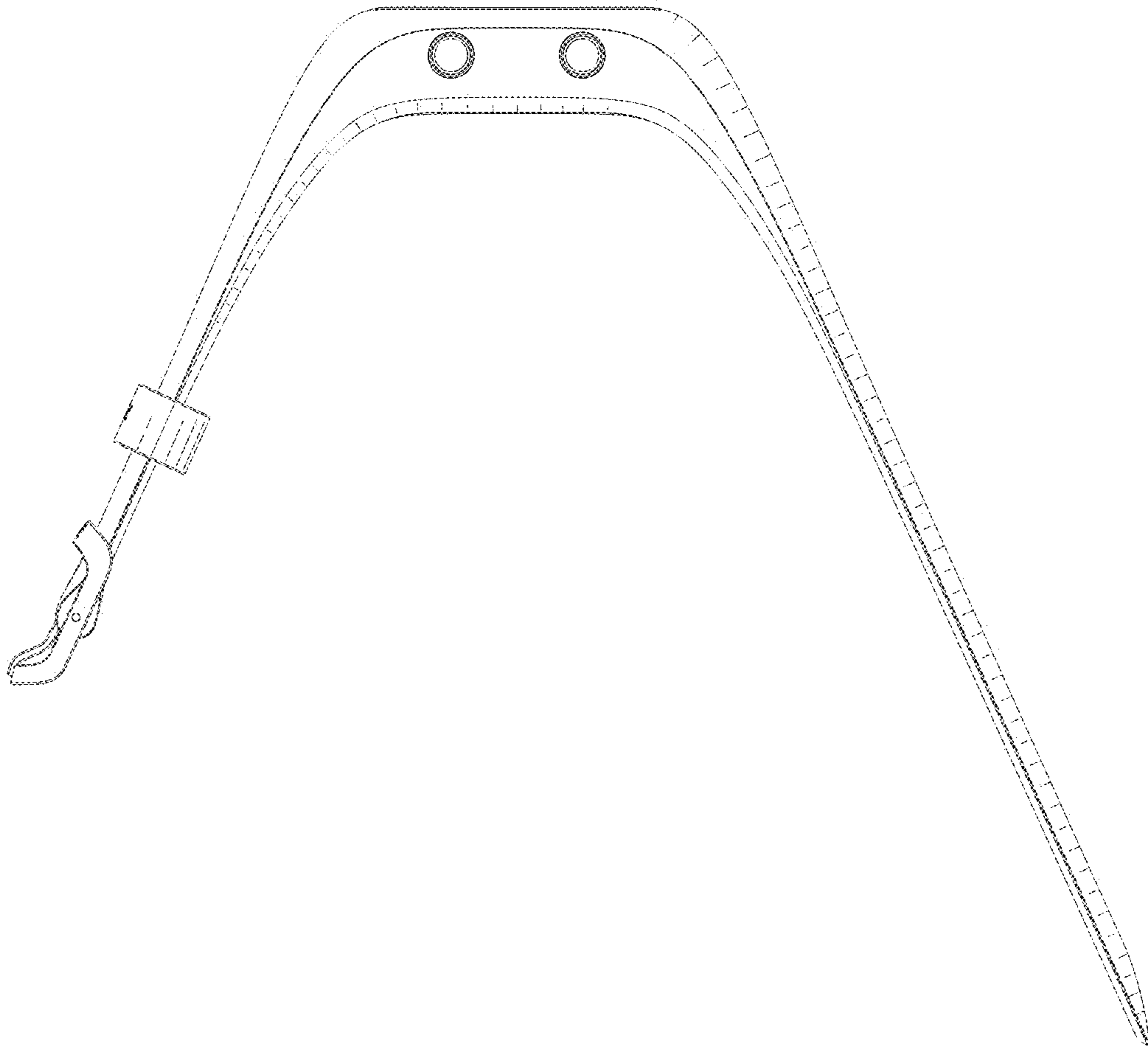


FIG. 2

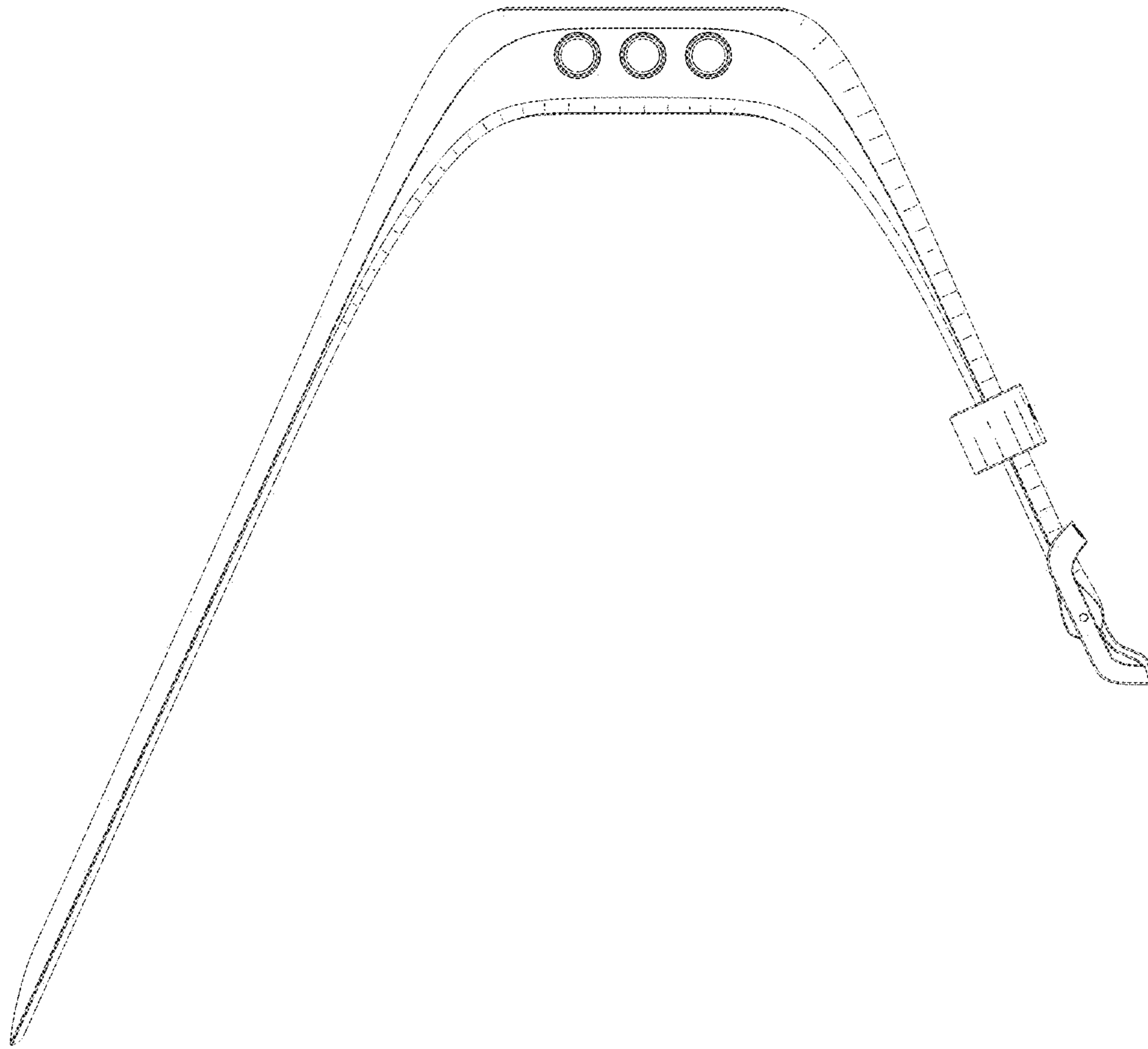


FIG. 3

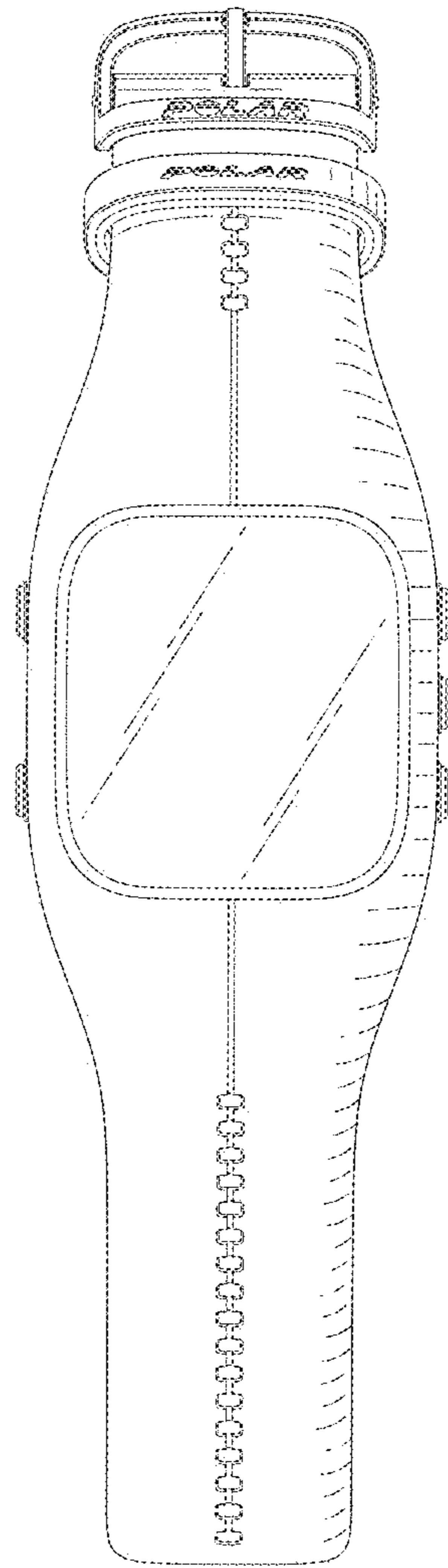


FIG. 4

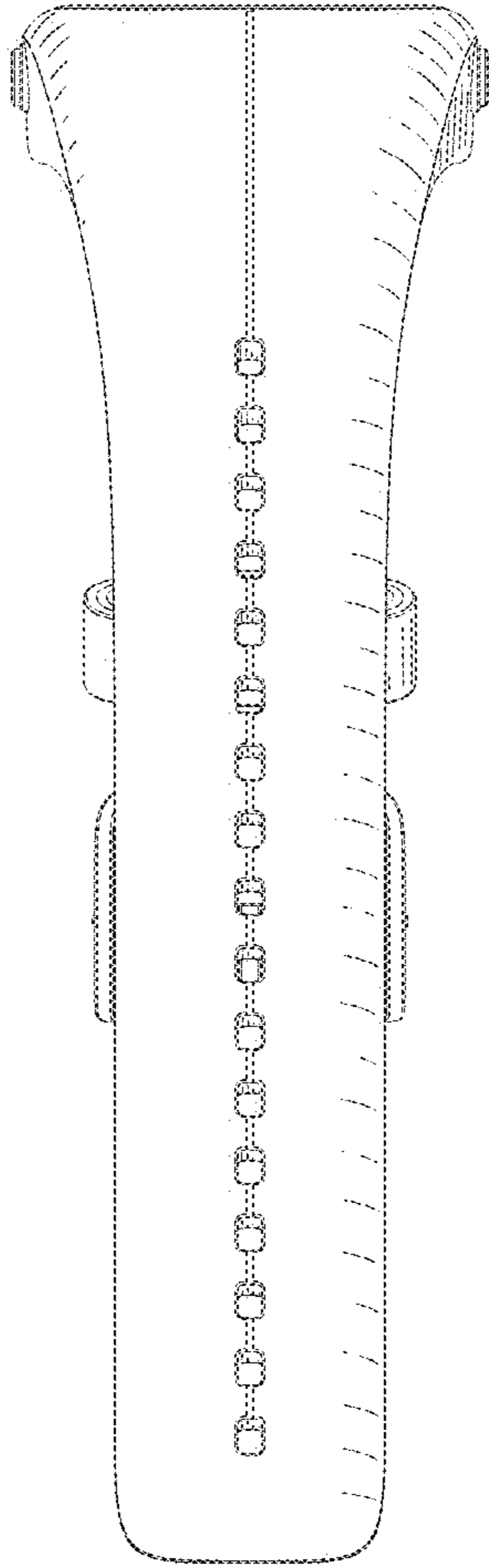


FIG. 5

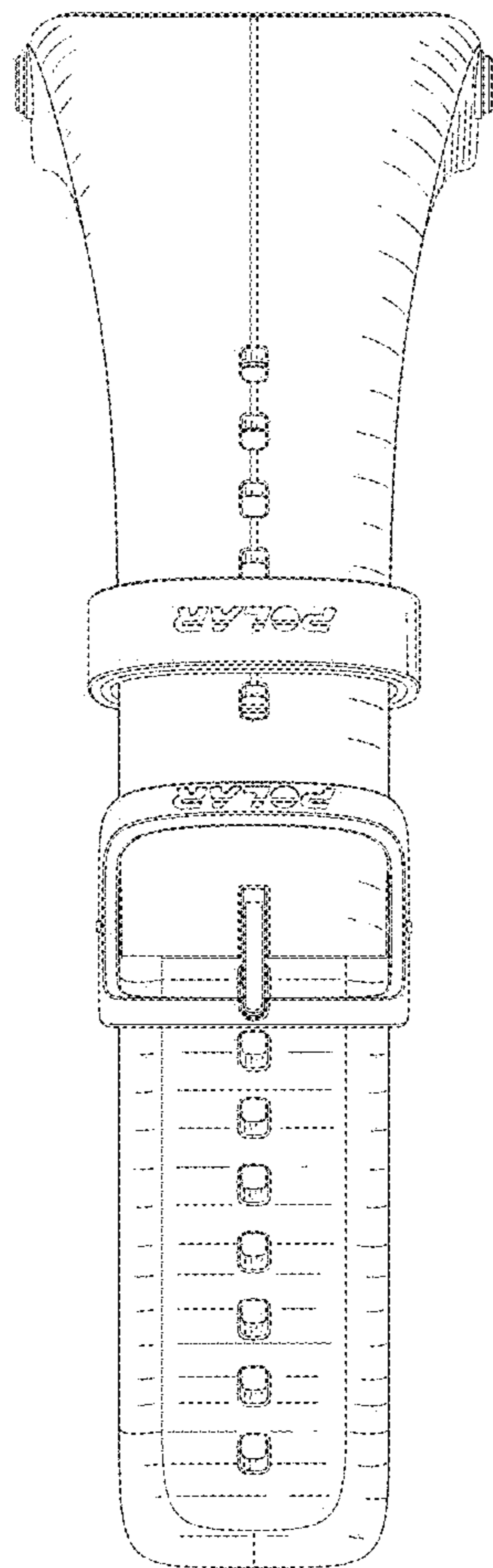


FIG. 6

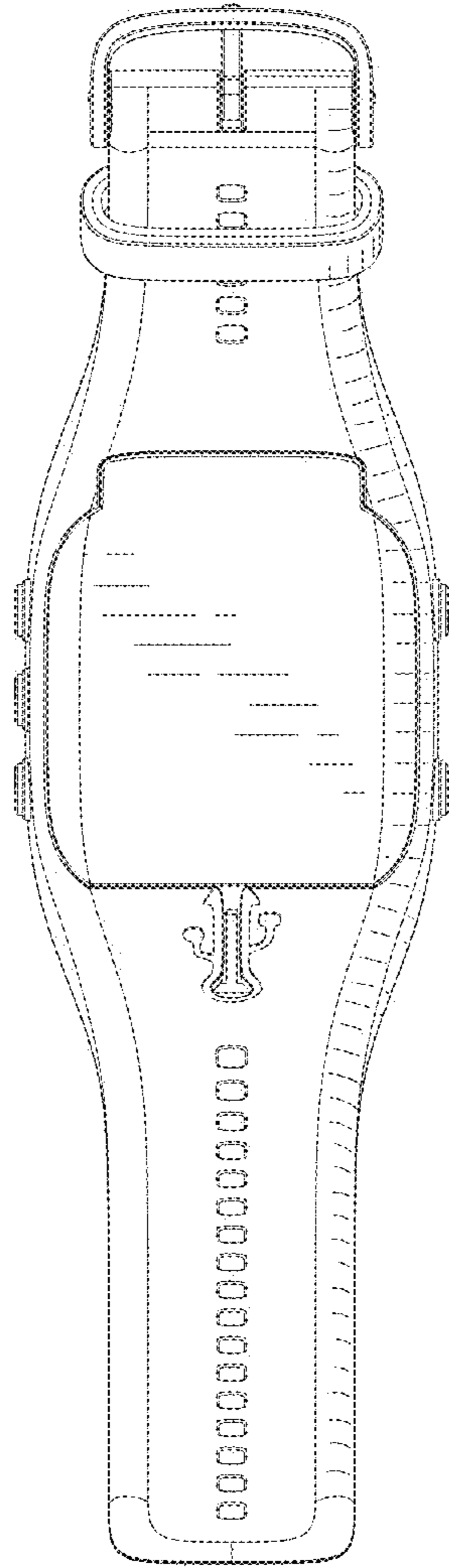


FIG. 7