



US00D767768S

(12) **United States Design Patent** (10) **Patent No.:** **US D767,768 S**
Ahmed et al. (45) **Date of Patent:** **** Sep. 27, 2016**

(54) **WEARABLE CONTINUOUS
PHYSIOLOGICAL MONITORING DEVICE**

(71) Applicant: **Whoop, Inc.**, Boston, MA (US)

(72) Inventors: **William Ahmed**, Boston, MA (US);
John Capodilupo, Boston, MA (US);
Aurelian Nicolae, Brookline, MA (US);
Rinat Aruh, New York, NY (US); **Carl
Johan Liden**, New York, NY (US);
Brett Tobias Tom, New York, NY (US)

(73) Assignee: **Whoop, Inc.**, Boston, MA (US)

(**) Term: **15 Years**

(21) Appl. No.: **29/529,218**

(22) Filed: **Jun. 4, 2015**

(51) **LOC (10) Cl.** **24-01**

(52) **U.S. Cl.**
USPC **D24/186**

(58) **Field of Classification Search**
USPC D24/164–168, 186, 187; D10/30–32,
D10/37, 38, 75, 70, 78; D14/344, 138 R
CPC .. A61B 5/0402; A61B 5/0404; A61B 5/021;
A61B 5/024; A61B 5/02438; A61B 5/681;
A61B 2560/0205; A61B 2560/0462
See application file for complete search history.

(56) **References Cited**

U.S. PATENT DOCUMENTS

D466,488 S * 12/2002 Wada D10/31
D525,710 S * 7/2006 Kobayashi D24/165

D544,377 S * 6/2007 Chodat D10/38
D571,249 S * 6/2008 Frederick D10/104.1
D645,968 S * 9/2011 Kasabach D24/186
D677,792 S * 3/2013 Vandiver D24/167
D687,951 S * 8/2013 Della Torre D24/167
D745,868 S * 12/2015 Choi D10/32
D747,494 S * 1/2016 Tamsiran D24/186
2005/0054940 A1 3/2005 Almen et al.
2009/0018456 A1* 1/2009 Hung A61B 5/0402
600/509

* cited by examiner

Primary Examiner — Anhdao Doan

(74) *Attorney, Agent, or Firm* — Strategic Patents, P.C.

(57) **CLAIM**

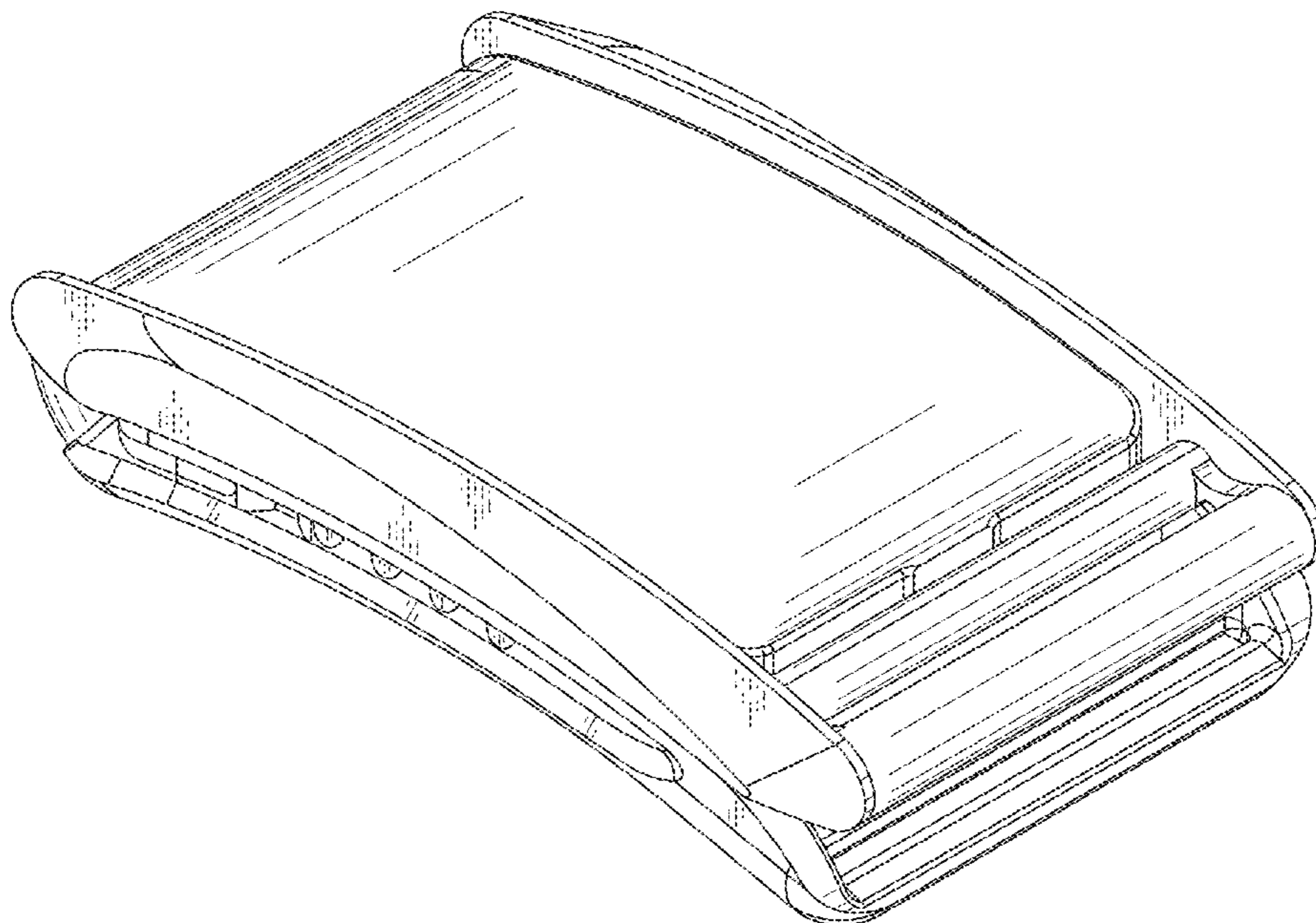
What is claimed is the ornamental design for a wearable continuous physiological monitoring device, as shown and described.

DESCRIPTION

FIG. 1 is a top, front perspective view of a design for a wearable continuous physiological monitoring device.
FIG. 2 is a top view of the design.
FIG. 3 is a bottom view of the design.
FIG. 4 is a front view of the design.
FIG. 5 is a rear view of the design.
FIG. 6 is a left side view of the design.
FIG. 7 is a right side view of the design; and,
FIG. 8 is a perspective view of the design shown in condition of use.

The broken lines in FIG. 8 depict environmental subject matter only and form no part of the claimed design.

1 Claim, 8 Drawing Sheets



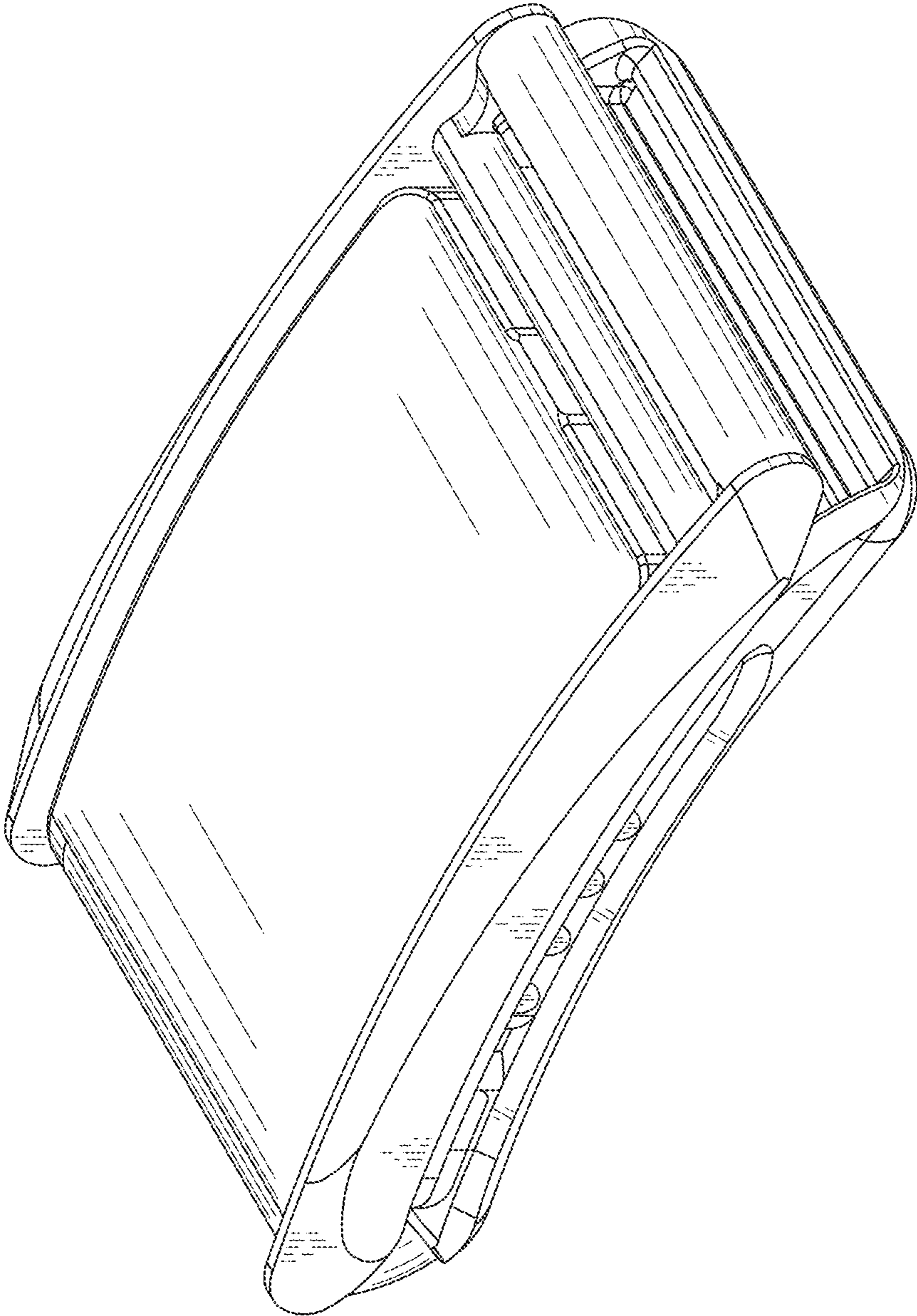


FIG. 1

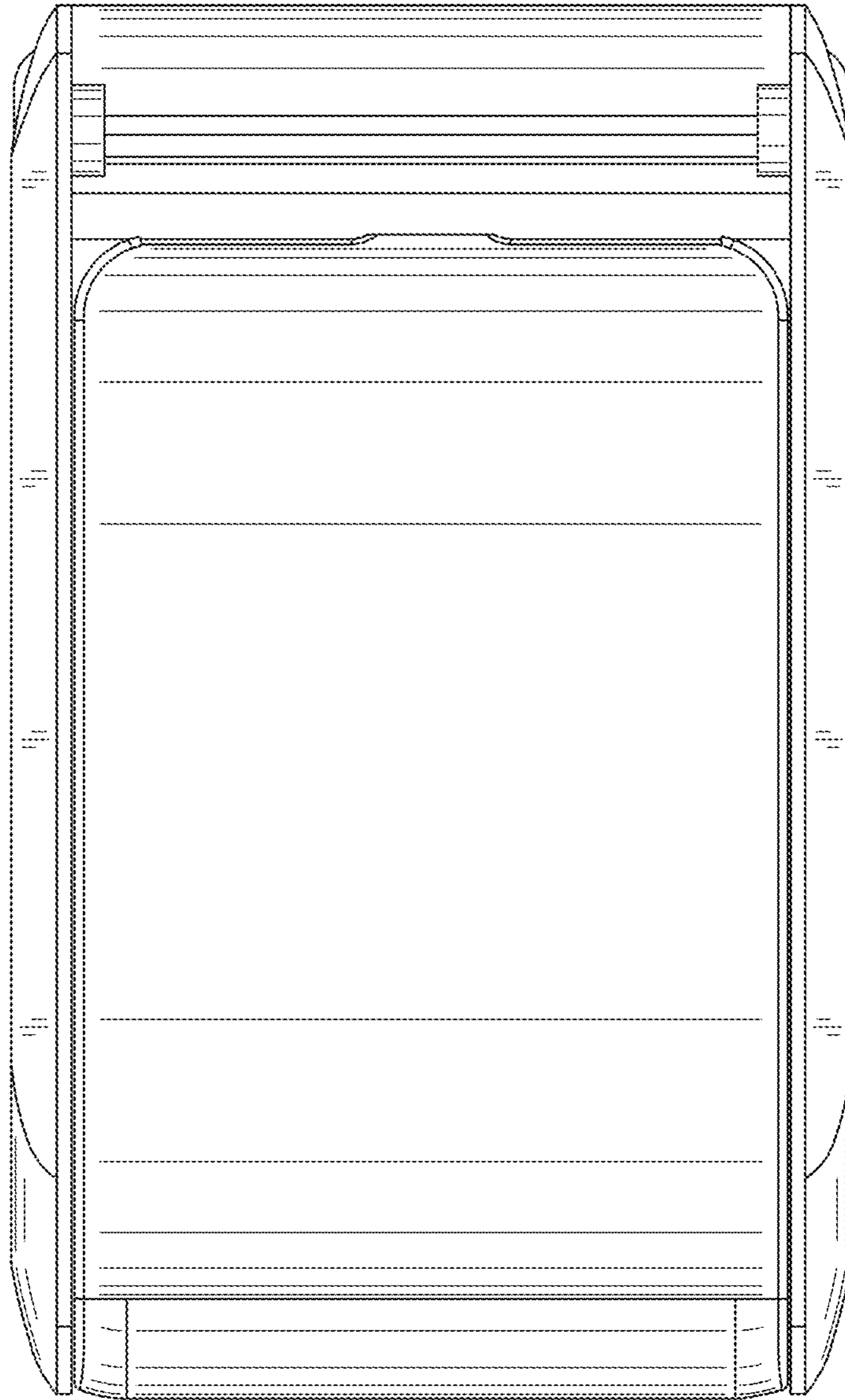


FIG. 2

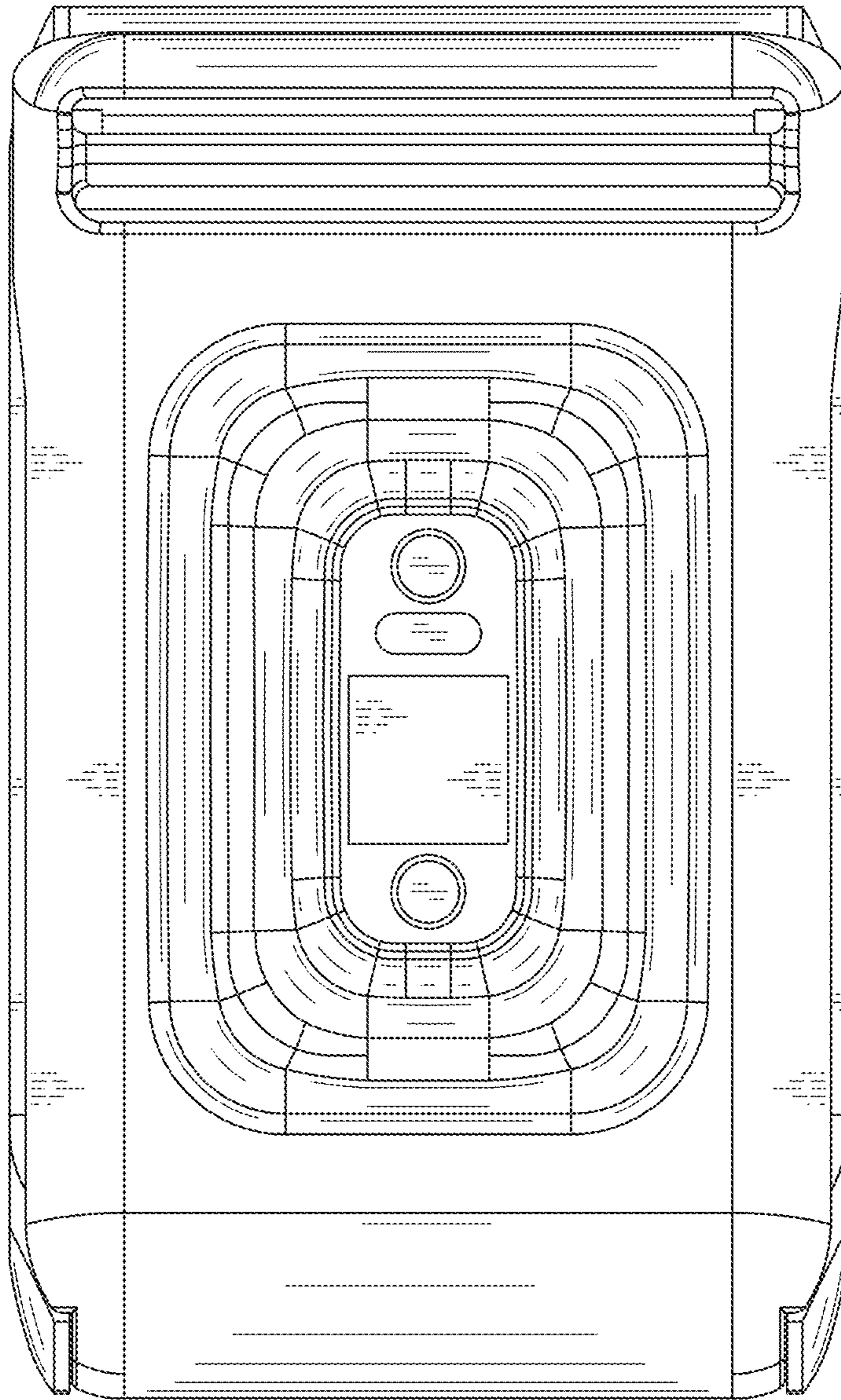


FIG. 3

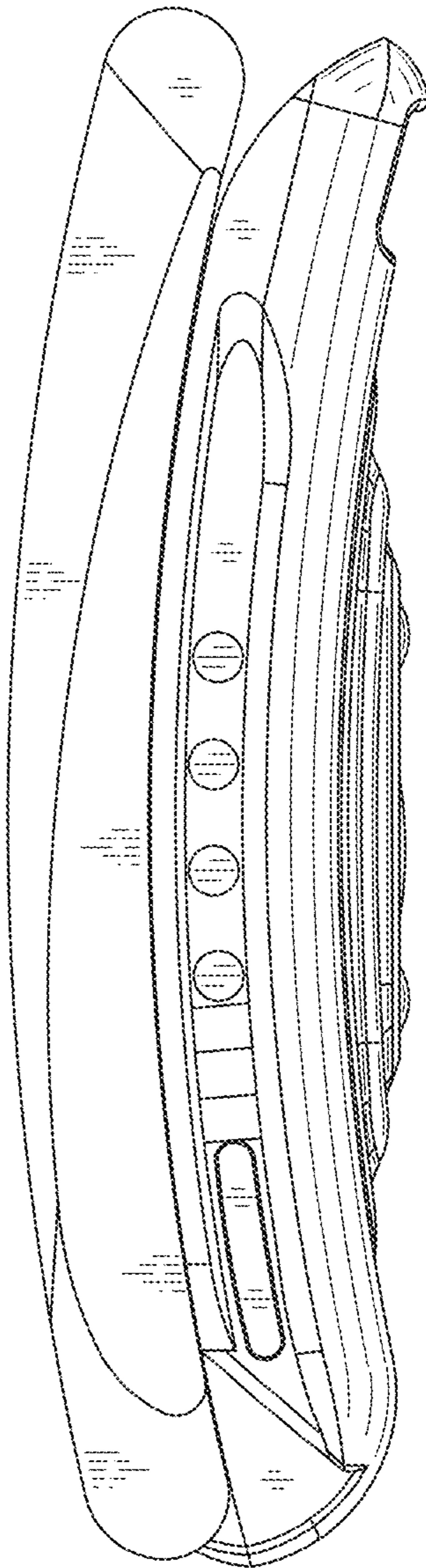


FIG. 4

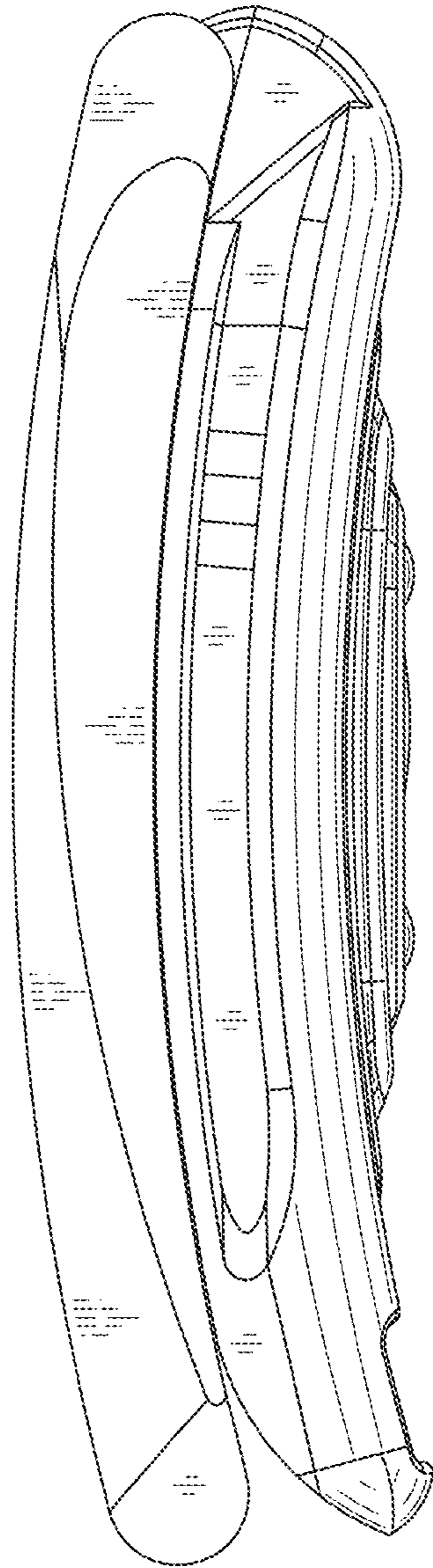


FIG. 5

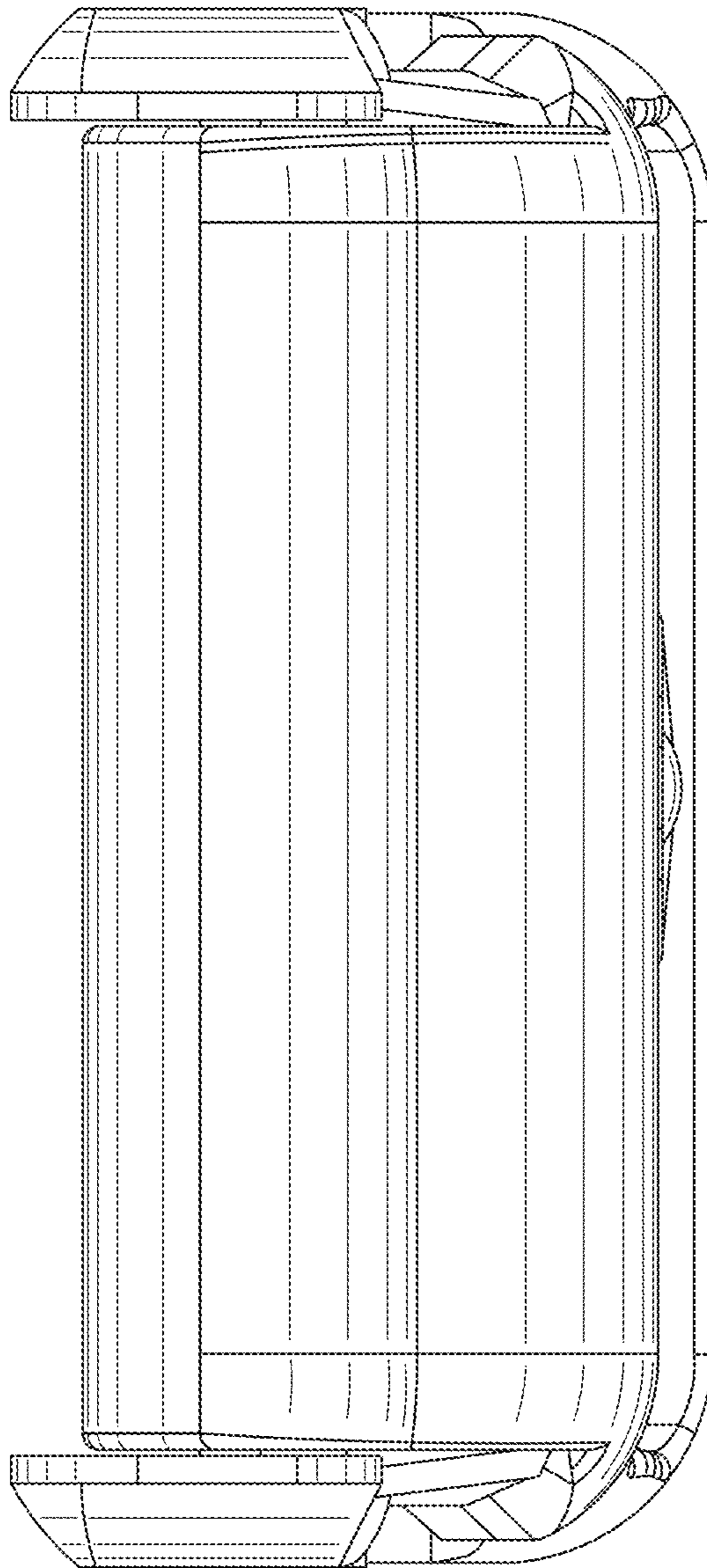


FIG. 6

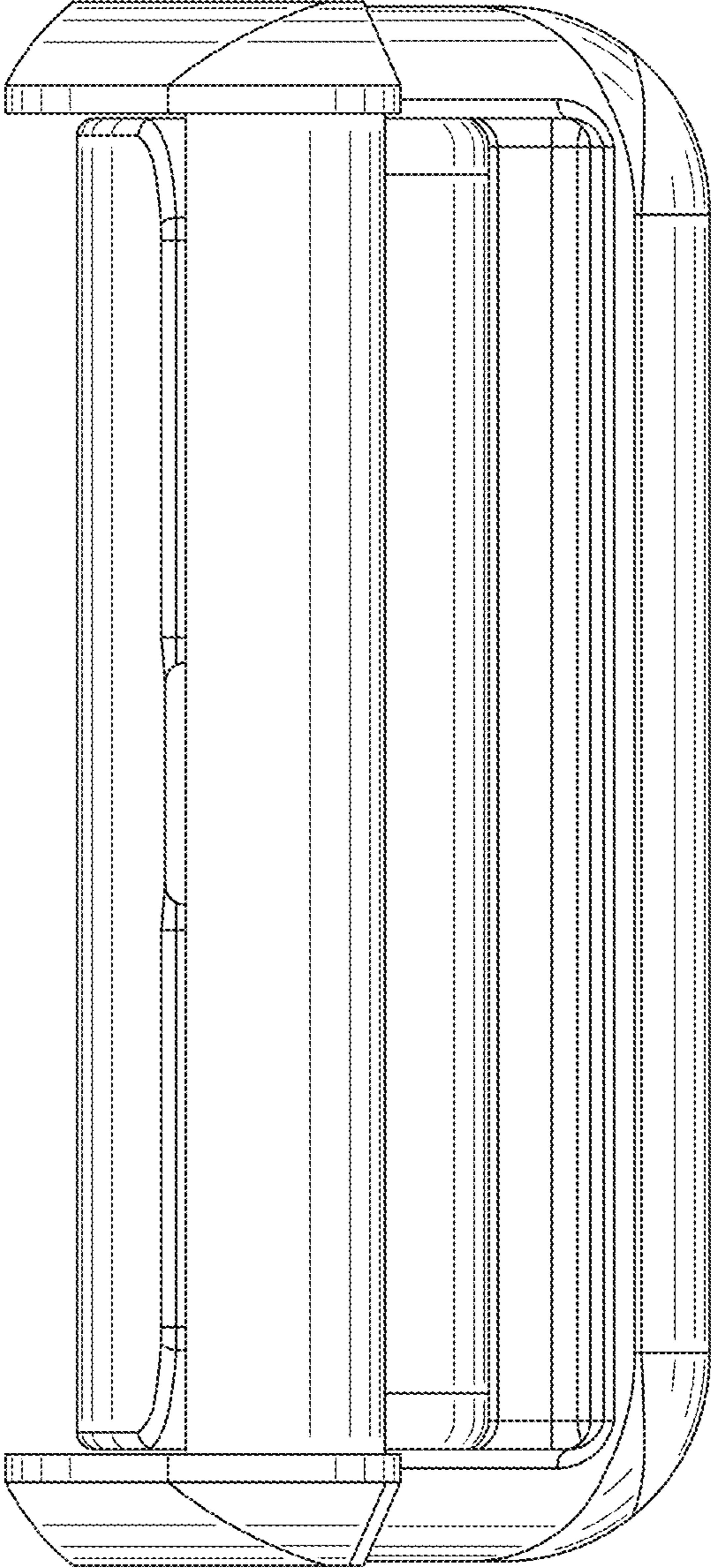


FIG. 7

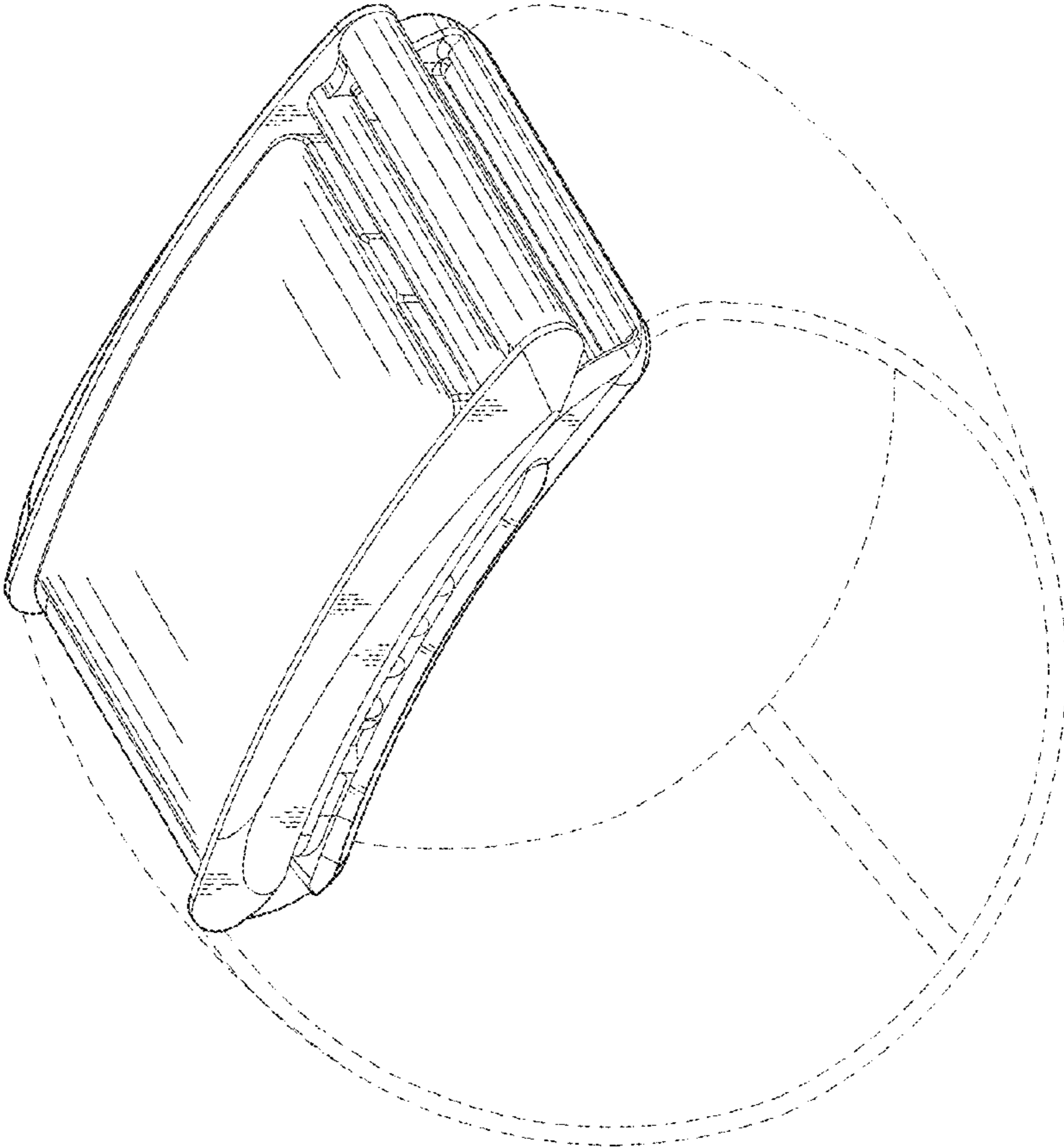


FIG. 8