



US00D767767S

(12) **United States Design Patent**  
**Moerth-Cross**

(10) **Patent No.:** **US D767,767 S**

(45) **Date of Patent:** **\*\* Sep. 27, 2016**

- (54) **FOLDING MESSAGE TABLE**
- (71) Applicant: **Michele Moerth-Cross**, Sherman Oaks, CA (US)
- (72) Inventor: **Michele Moerth-Cross**, Sherman Oaks, CA (US)
- (\*\*) Term: **14 Years**
- (21) Appl. No.: **29/504,199**
- (22) Filed: **Oct. 2, 2014**
- (51) **LOC (10) Cl.** ..... **24-01**
- (52) **U.S. Cl.**  
USPC ..... **D24/183**
- (58) **Field of Classification Search**  
USPC ..... 108/162, 166; D24/183, 184; D6/390, D6/718.13, 601, 606; 5/600-624, 625, 5/626, 627, 630, 631, 632, 635, 636, 640, 5/643, 646, 648, 651, 3-6, 655.3, 655.9  
CPC ..... A61G 1/00; A61G 1/013; A61G 1/04; A61G 7/00; A61G 7/05; A61G 7/0506; A61G 7/0507; A61G 7/065; A61G 7/07; A61G 7/072; A61G 13/00; A61G 13/0018; A61G 13/009; A61G 13/105; A61G 13/121; A61G 13/12; A61G 13/126; A61G 13/1235; A61H 2201/0138; A61H 1/001; A61H 1/006; A61H 1/008; A61H 1/0222; A61H 1/0229; A61B 5/704; A61B 6/04; A61B 6/0407; A47G 9/1027; A47G 9/10; A47G 9/1072; A47G 9/1081; A47G 2009/1018  
See application file for complete search history.

- 6,408,465 B1 \* 6/2002 Fleming ..... A47B 23/04 5/620
- D585,139 S \* 1/2009 Andrews ..... D24/184
- D656,618 S \* 3/2012 Gorovitz ..... D24/183
- 9,241,859 B2 \* 1/2016 Woog ..... A47B 3/0912
- 2016/0096062 A1 \* 4/2016 Moerth-Cross ..... A61G 13/105 482/101

\* cited by examiner

*Primary Examiner* — Rosemary K Tarcza

*Assistant Examiner* — Christy Nemeth

(74) *Attorney, Agent, or Firm* — Kelly & Kelley, LLP

(56) **References Cited**

**U.S. PATENT DOCUMENTS**

- D295,349 S \* 4/1988 Mueller ..... D6/392
- 5,769,005 A \* 6/1998 Haynes ..... A47B 3/087 108/116

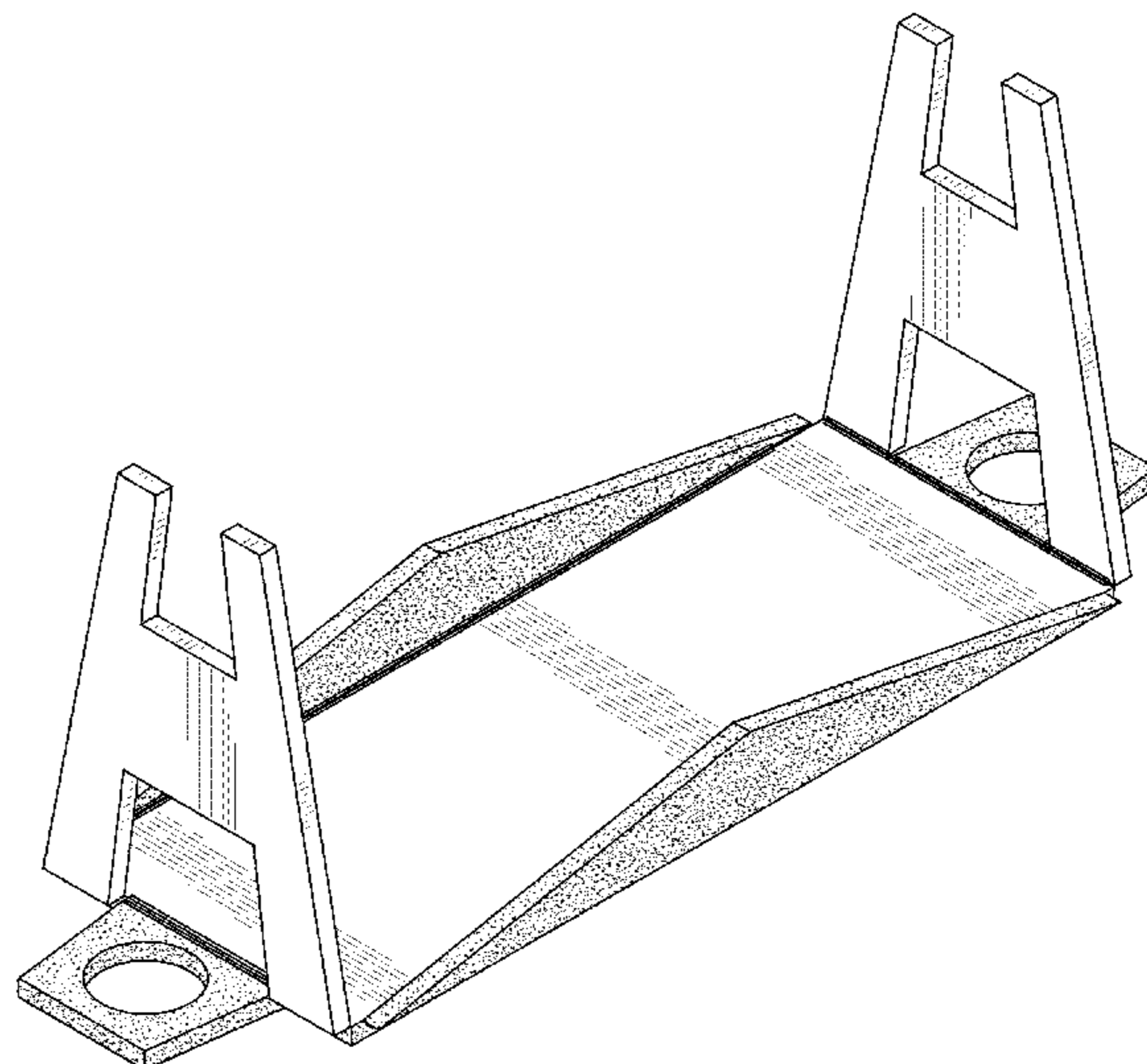
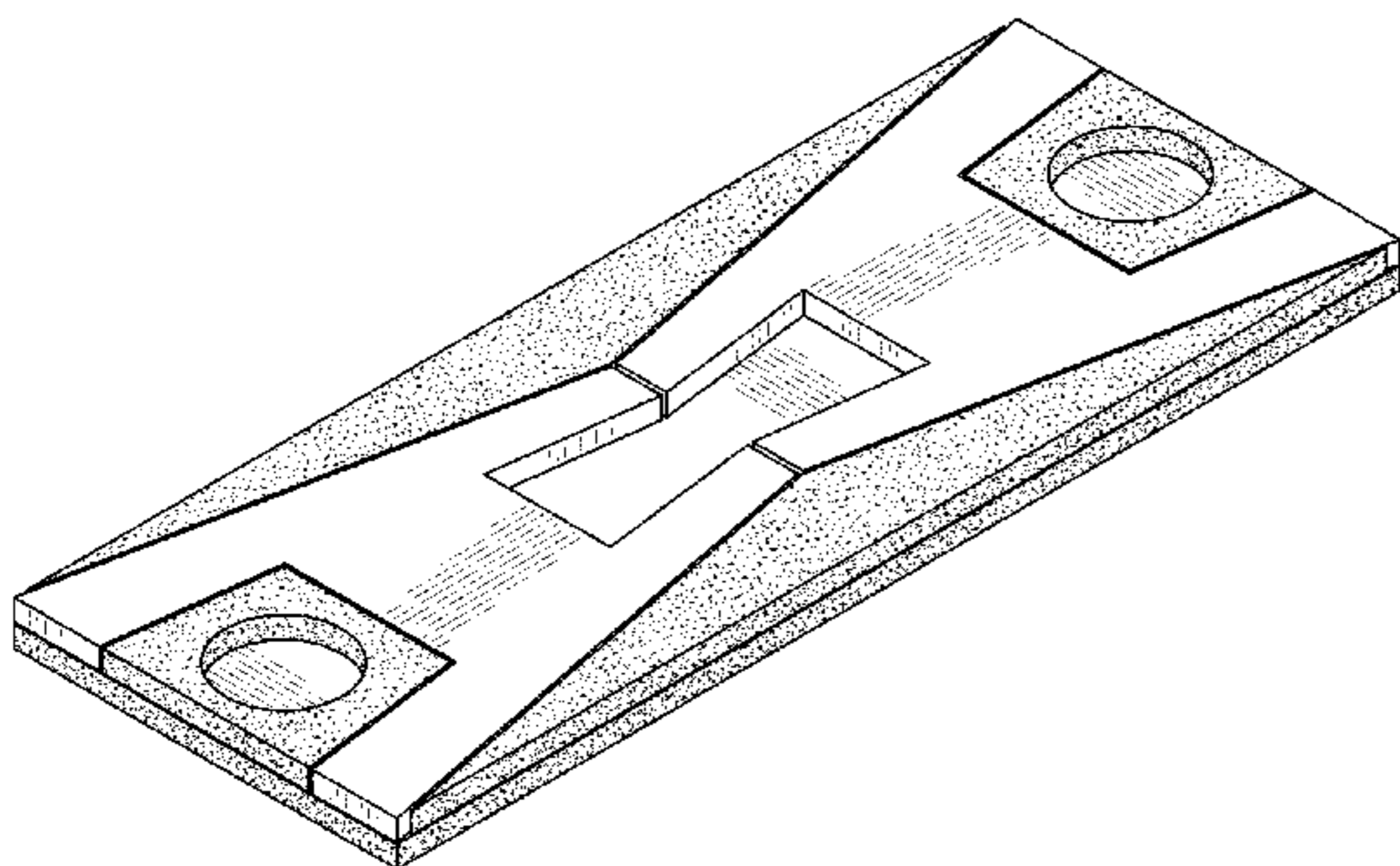
(57) **CLAIM**

The ornamental design for a folding message table, as shown.

**DESCRIPTION**

FIG. 1 is a bottom perspective view of the folding message table in a folded position;  
 FIG. 2 is a bottom plan view of the folding message table in a folded position;  
 FIG. 3 is a top plan view of the folding message table in a folded position;  
 FIG. 4 is a left side view of the folding message table in a folded position; the right side view is a mirror image;  
 FIG. 5 is a front edge view of the folding message table in a folded position; the back edge view is a mirror image;  
 FIG. 6 is a bottom perspective view of the folding message table with the legs in an extended position; and,  
 FIG. 7 is a bottom perspective view of the folding message table with the legs, head rest, and wings in an extended position.

**1 Claim, 4 Drawing Sheets**



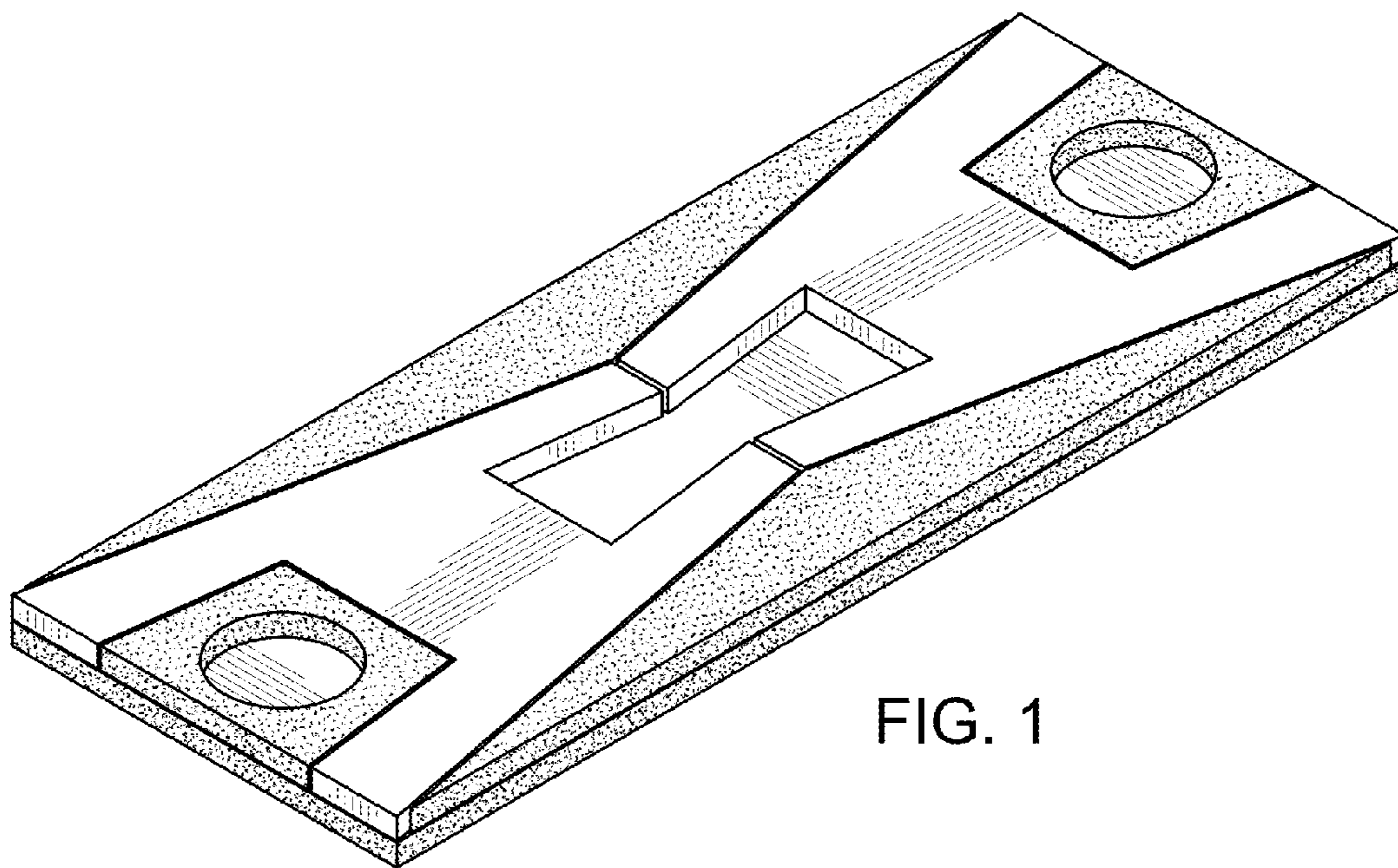


FIG. 1

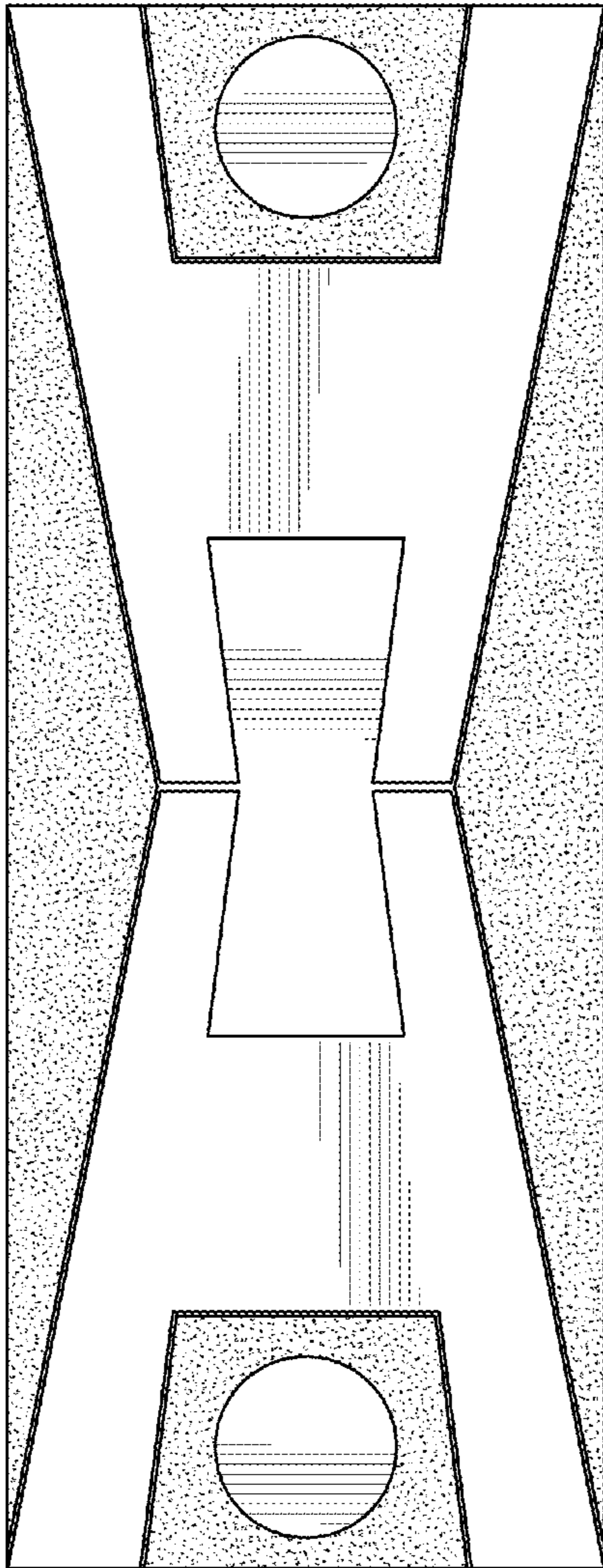


FIG. 2

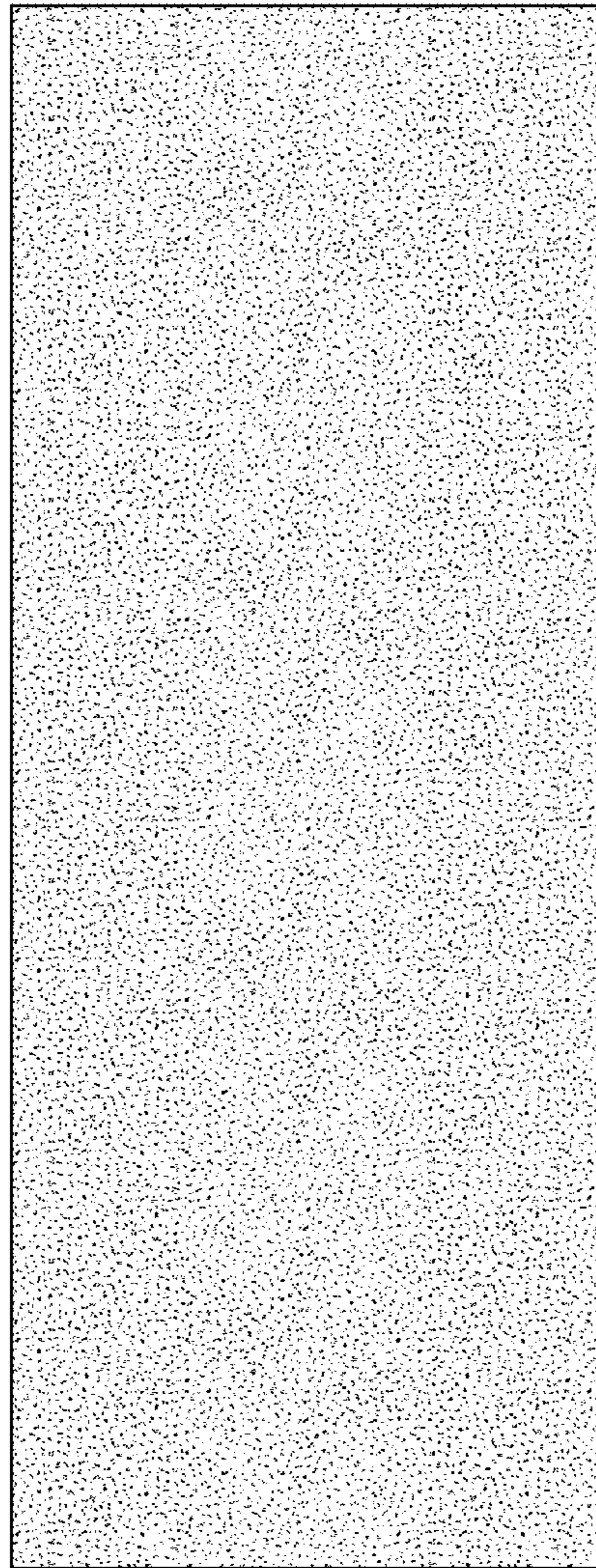


FIG. 3



FIG. 4

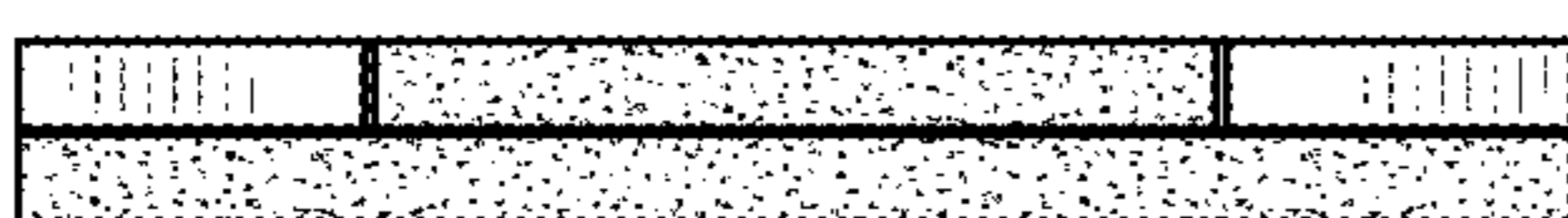


FIG. 5

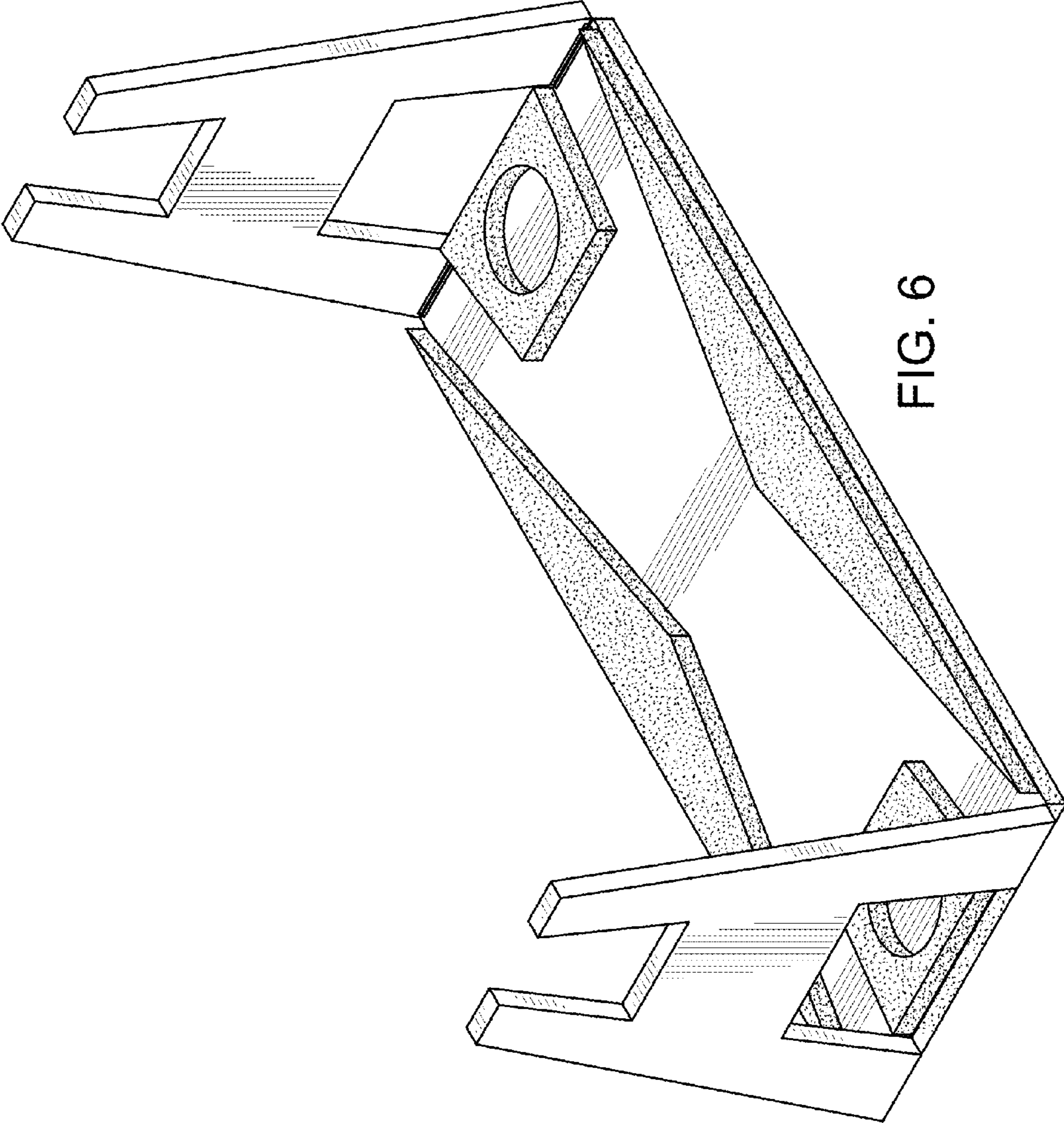


FIG. 6

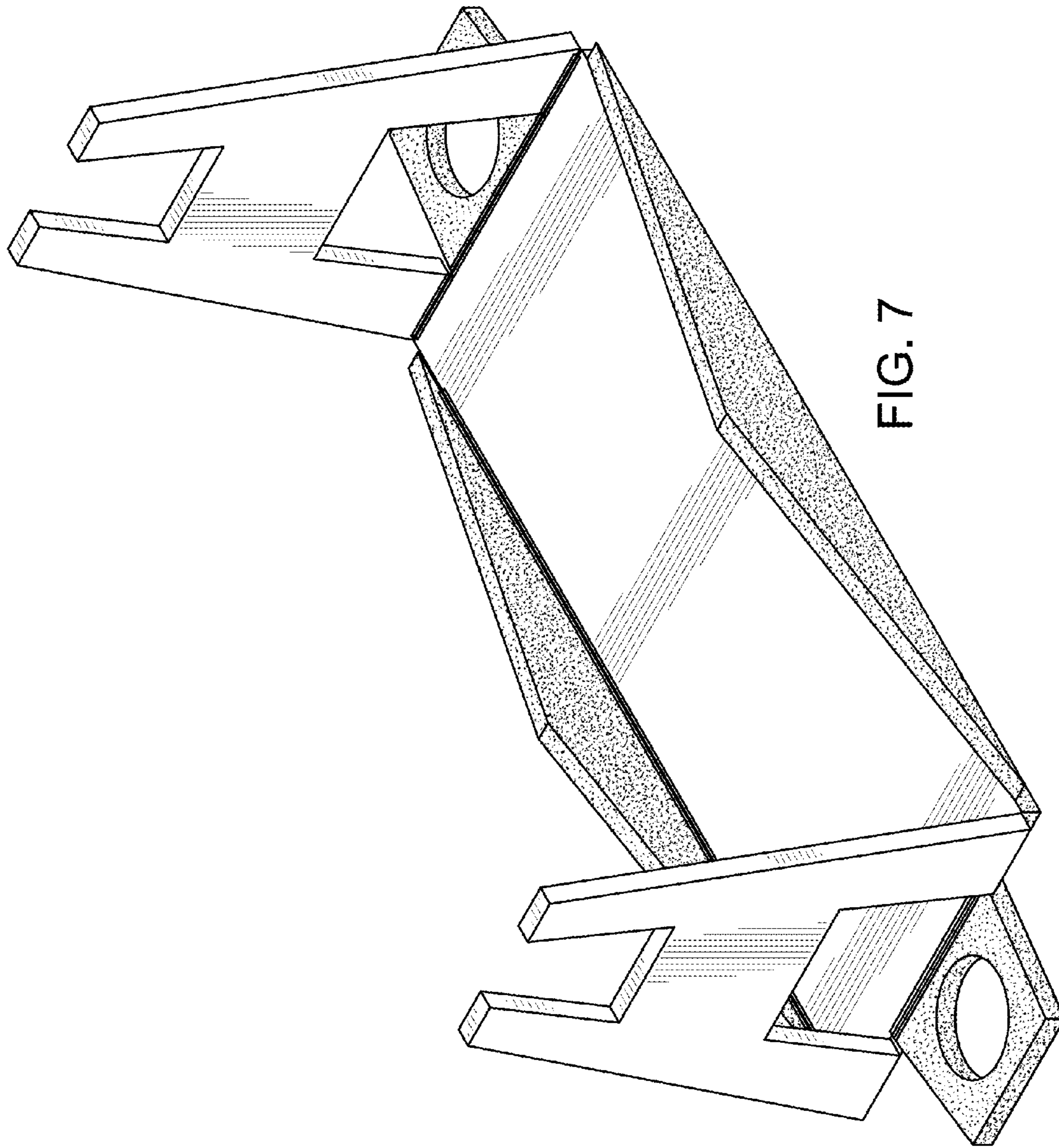


FIG. 7