



US00D767766S

(12) **United States Design Patent** (10) **Patent No.:** **US D767,766 S**  
**Sanga** (45) **Date of Patent:** **\*\* Sep. 27, 2016**

(54) **PORTABLE DENTAL EQUIPMENT**

(71) Applicant: **Toshinari Sanga**, Kanuma (JP)

(72) Inventor: **Toshinari Sanga**, Kanuma (JP)

(73) Assignee: **Nakanishi Inc.**, Kanuma-shi (JP)

(\*\*) Term: **15 Years**

(21) Appl. No.: **29/532,272**

(22) Filed: **Jul. 3, 2015**

(51) **LOC (10) Cl.** ..... **24-02**

(52) **U.S. Cl.**  
USPC ..... **D24/177**

(58) **Field of Classification Search**  
USPC ..... D24/176-179, 152, 107, 111; 433/49,  
433/53, 59, 72, 77, 55, 82, 229; D13/162,  
D13/184; D10/46  
CPC .. A61C 1/0053; A61C 1/0015; A61C 1/003;  
A61C 1/08; A61C 1/088; A61C 19/02;  
A61C 19/041; A61C 5/025; A61C 5/02;  
A61C 17/20

See application file for complete search history.

(56) **References Cited**

**U.S. PATENT DOCUMENTS**

4,243,388 A \* 1/1981 Arai ..... A61C 5/025  
433/102  
6,482,008 B2 \* 11/2002 Perdomini ..... A61C 5/02  
433/224

D618,353 S \* 6/2010 Sanga ..... D13/163  
D663,423 S \* 7/2012 Kagawa ..... D24/177  
9,041,323 B2 \* 5/2015 Brown ..... A61C 1/003  
318/267  
9,072,565 B2 \* 7/2015 Pruckner ..... A61C 1/0015  
2010/0279250 A1 \* 11/2010 Pond ..... A61C 17/20  
433/80  
2015/0223909 A1 \* 8/2015 Brown ..... A61C 1/003  
433/118

\* cited by examiner

*Primary Examiner* — Wan Laymon

(74) *Attorney, Agent, or Firm* — Jason D. Voight

(57) **CLAIM**

The ornamental design for a portable dental equipment, as shown and described.

**DESCRIPTION**

FIG. 1 is a perspective view of a portable dental equipment, with the case cover opened;  
 FIG. 2 is a front view thereof;  
 FIG. 3 is a rear view thereof;  
 FIG. 4 is a top plan view thereof;  
 FIG. 5 is a bottom view thereof;  
 FIG. 6 is a right side view thereof;  
 FIG. 7 is a left side view thereof; and,  
 FIG. 8 is an enlarged view of the control panel thereof.  
 The broken lines are included for the purpose of illustrating portions of the portable dental equipment that form no part of the claimed design.

**1 Claim, 4 Drawing Sheets**

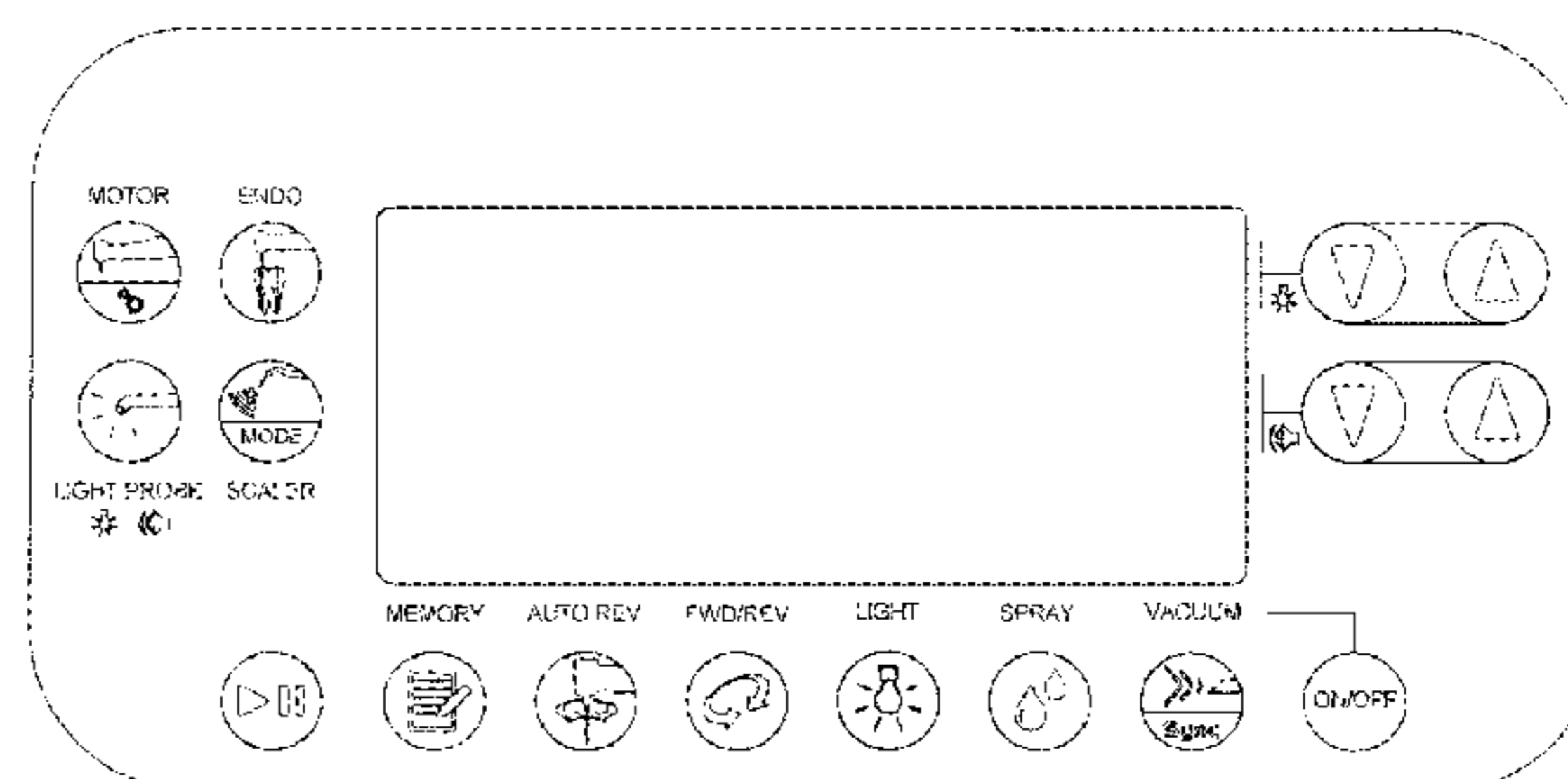
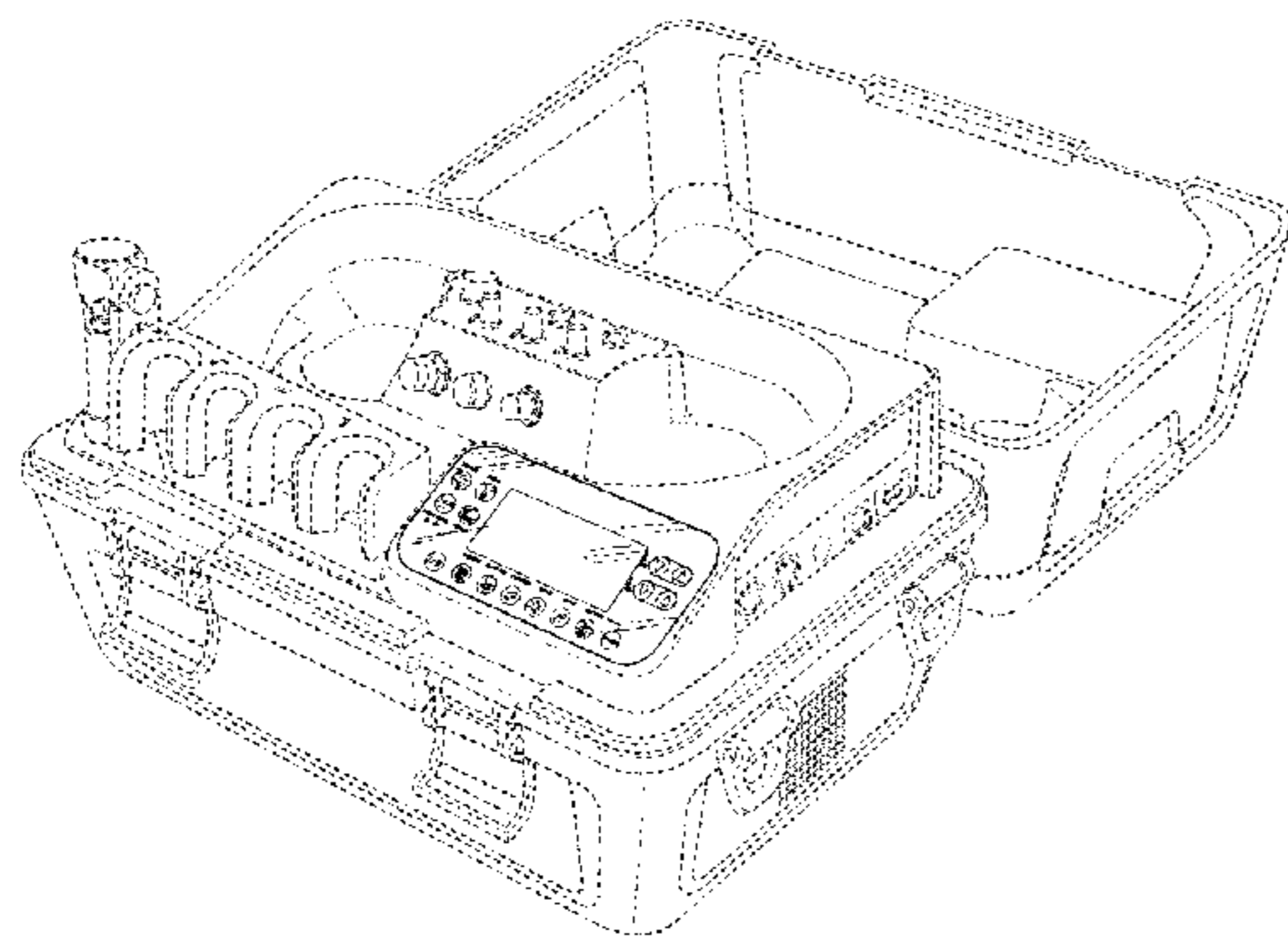


FIG.1

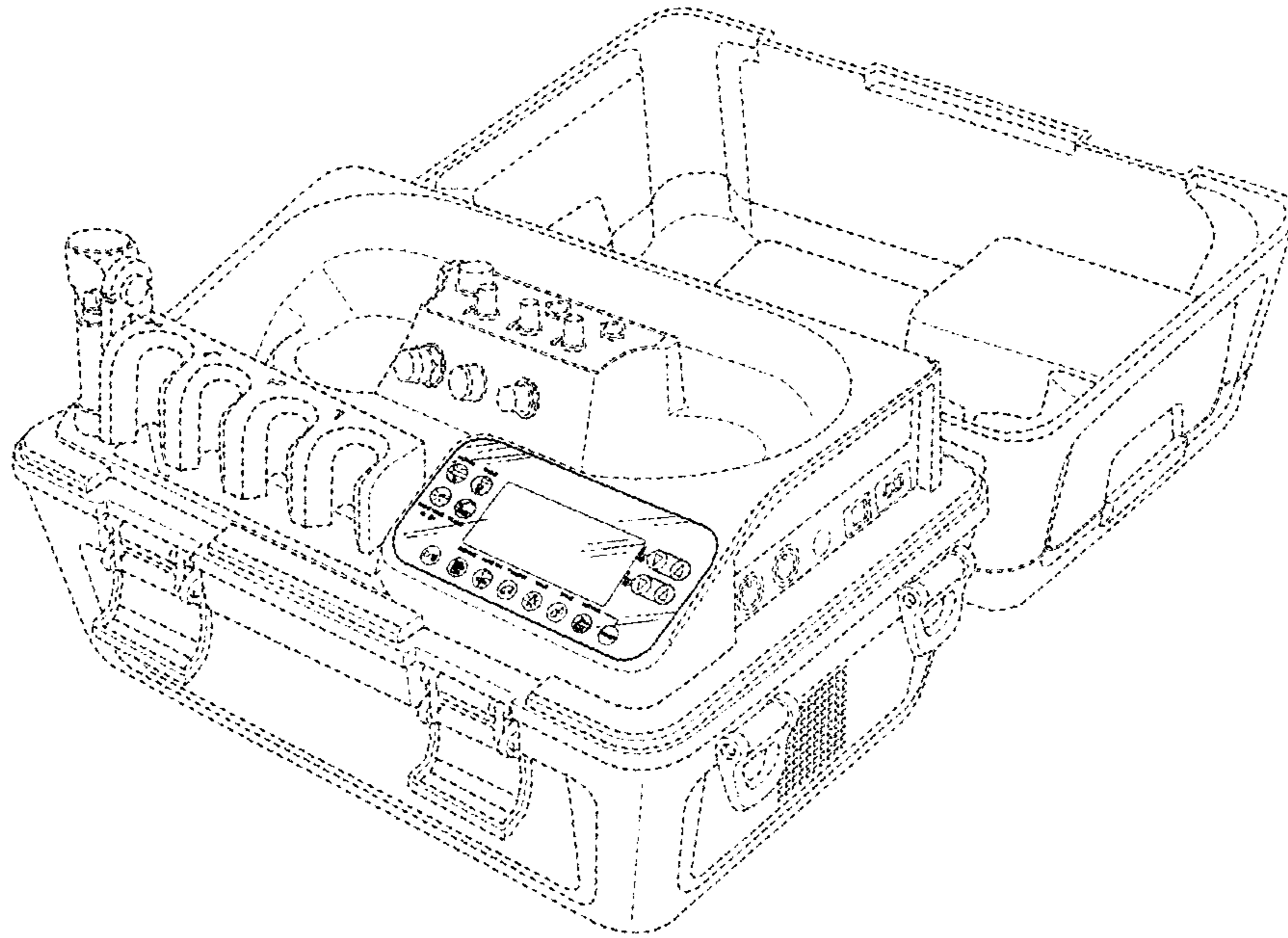


FIG.2

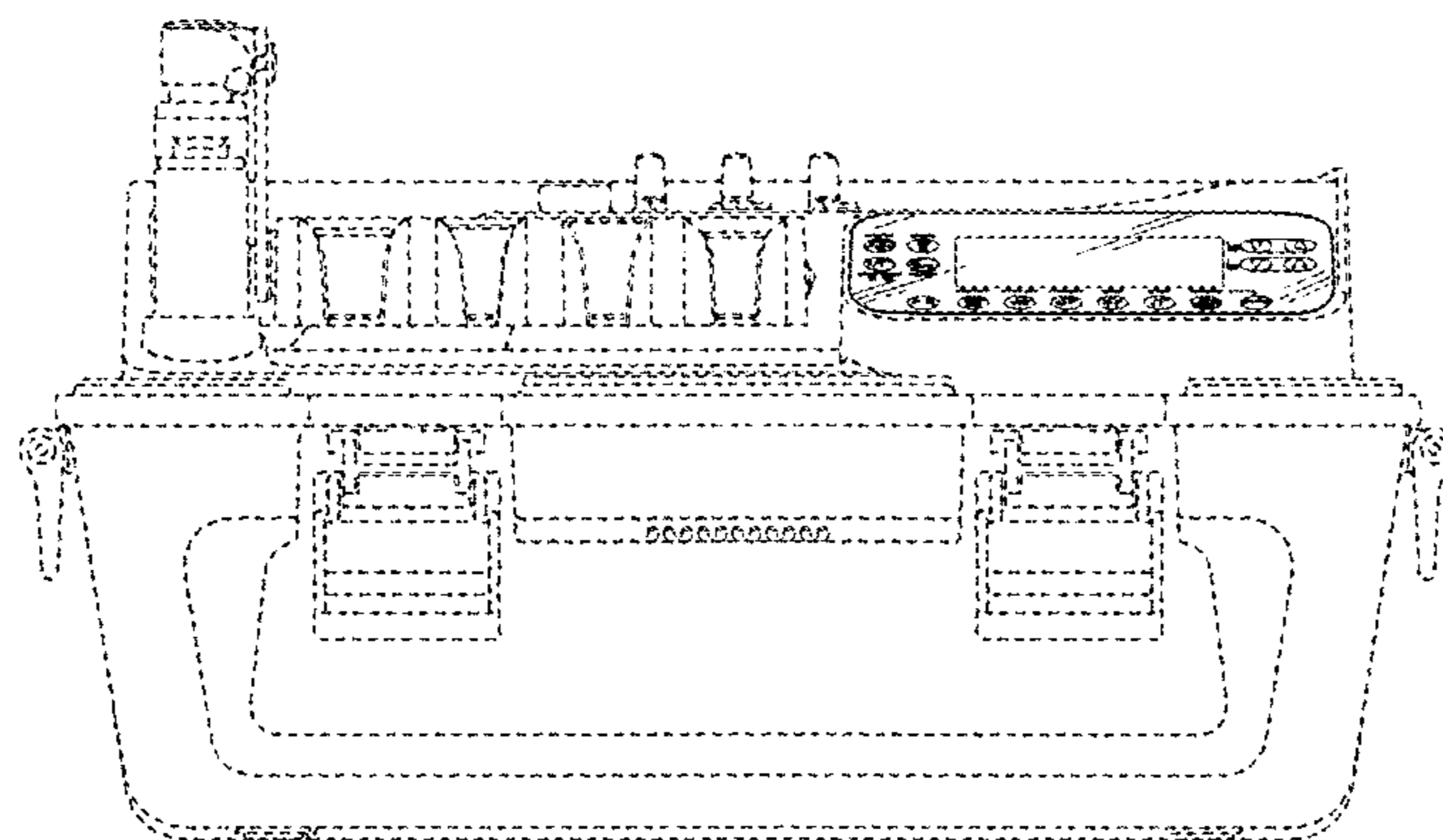


FIG.3

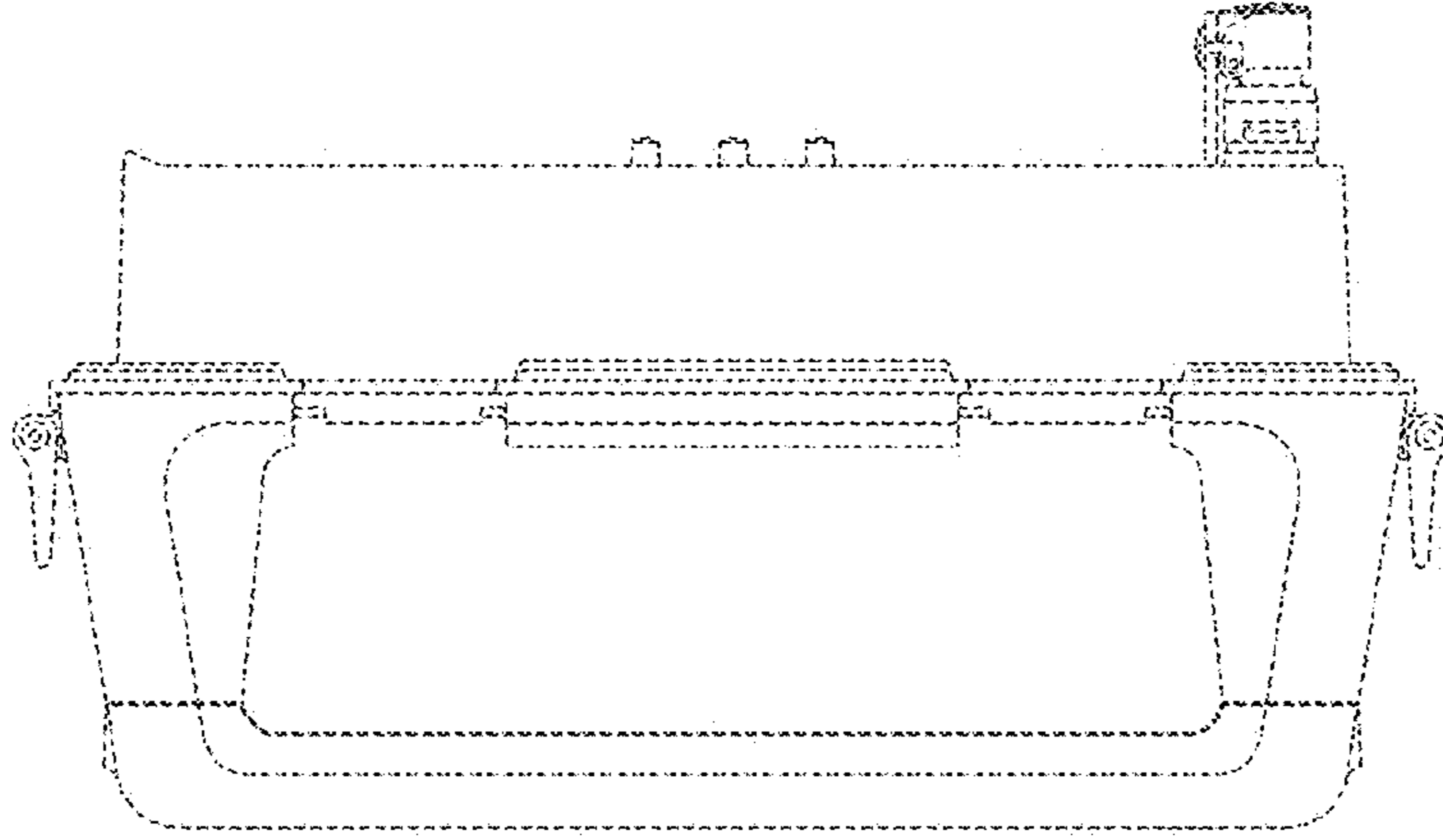


FIG.4

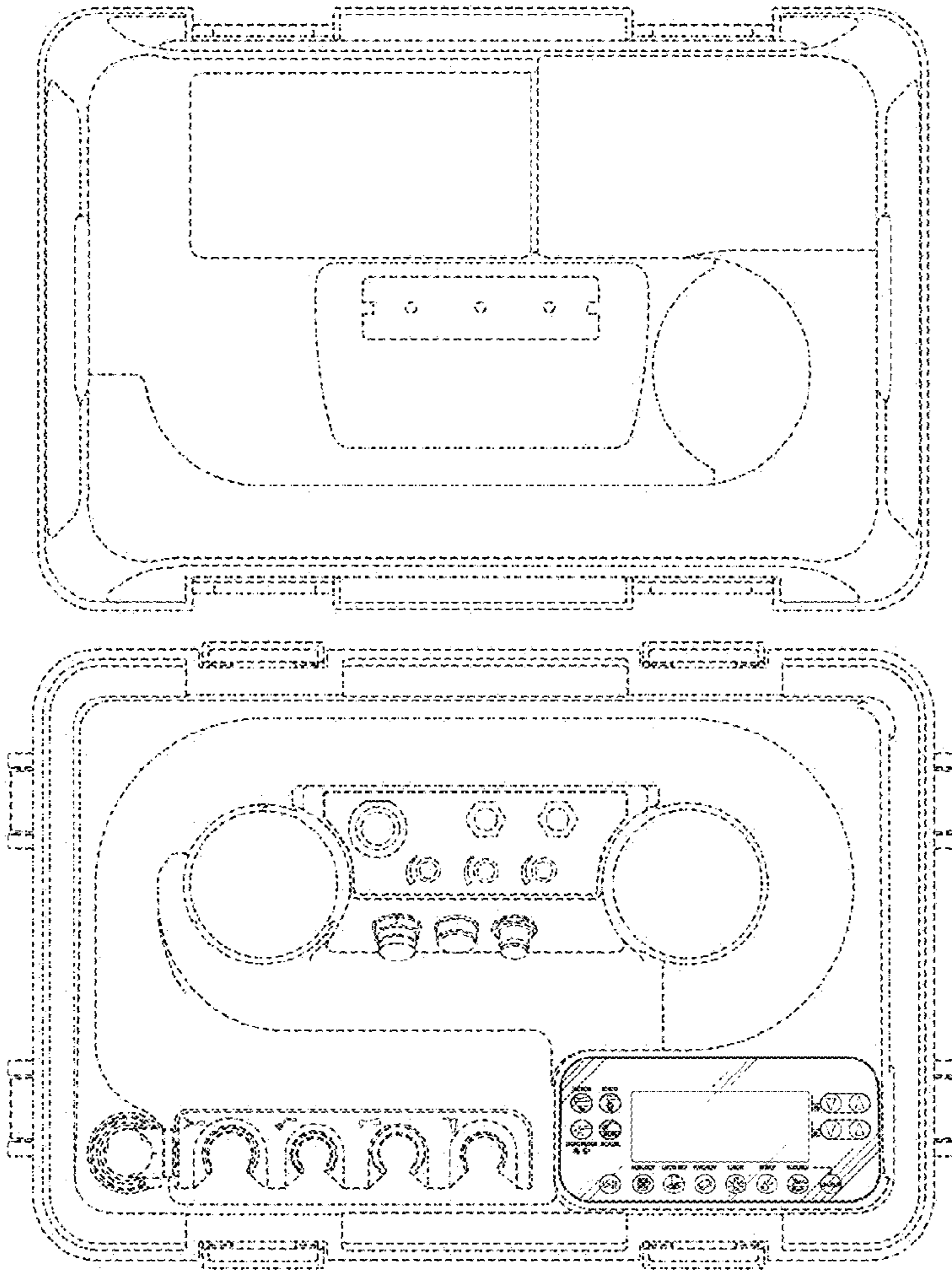




FIG.5

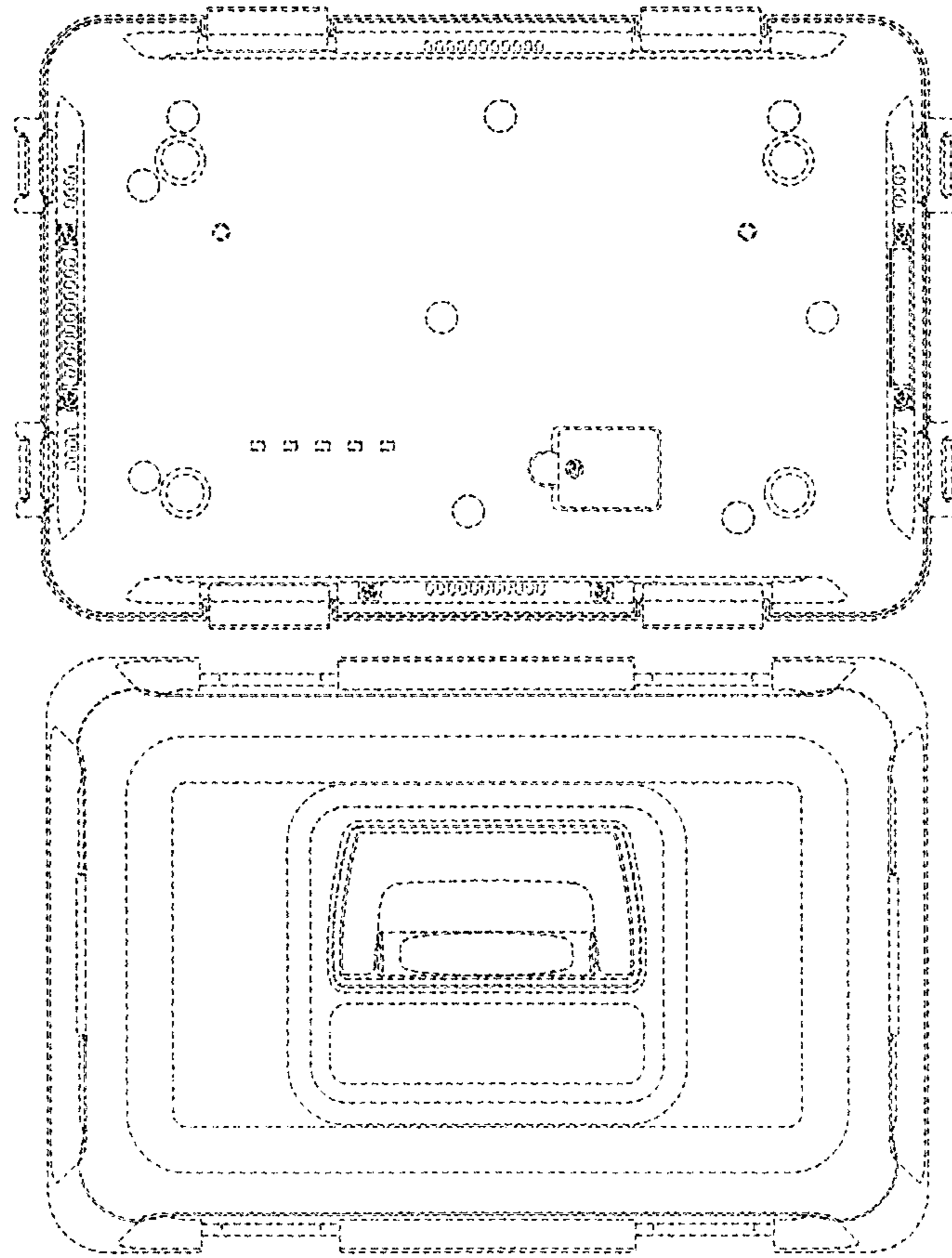


FIG.6

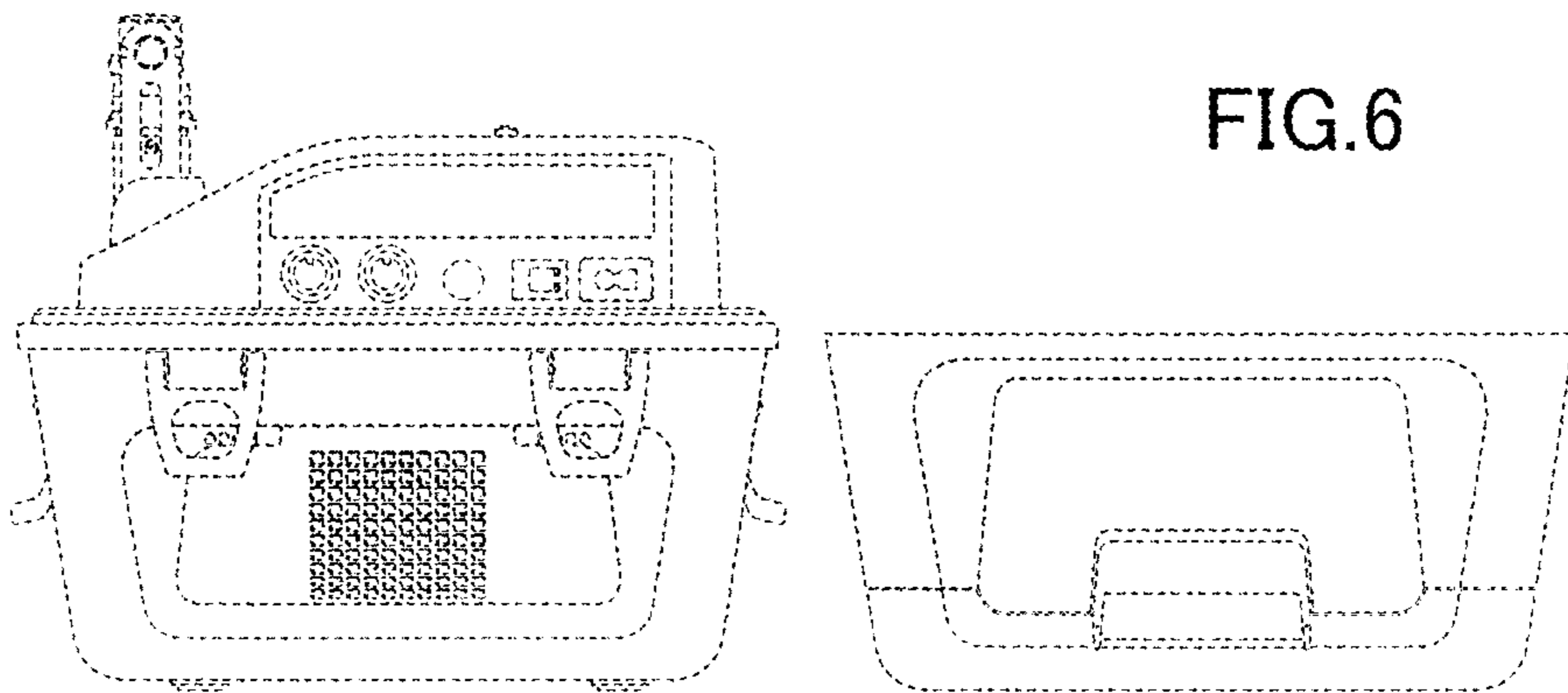


FIG. 7

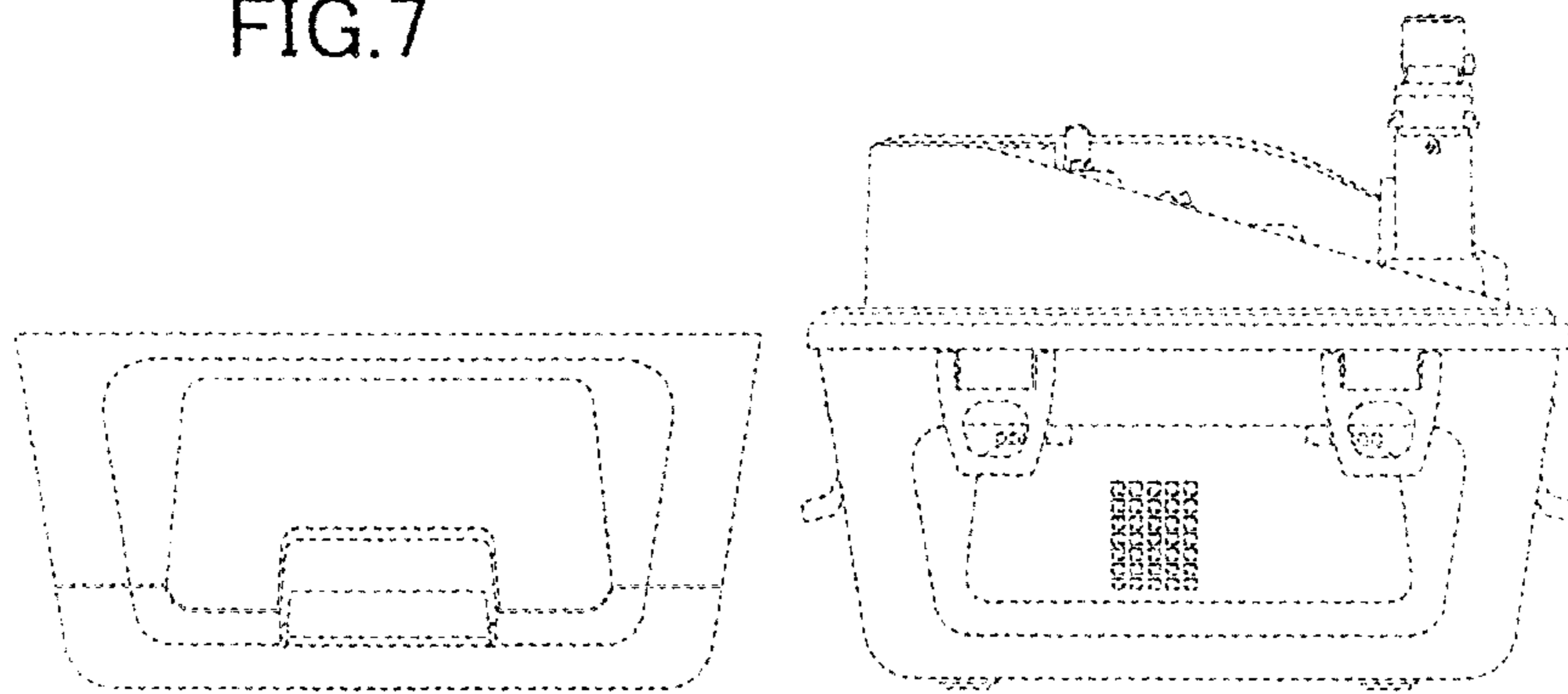


FIG. 8

