

US00D767765S

(12) **United States Design Patent**
Lin et al.

(10) **Patent No.:** **US D767,765 S**
(45) **Date of Patent:** **** Sep. 27, 2016**

(54) **STAND FOR X-RAY DIGITAL IMAGING APPARATUS**

D725,778 S * 3/2015 Sul D24/158
D752,225 S * 3/2016 Sul D24/158
2016/0073985 A1* 3/2016 Moon A61B 6/4429
378/181

(71) Applicant: **Shanghai United Imaging Healthcare Co., Ltd.**, Shanghai (CN)

* cited by examiner

(72) Inventors: **Mengxi Lin**, Shanghai (CN); **Minkai Liu**, Shanghai (CN)

Primary Examiner — Anhdao Doan

(74) *Attorney, Agent, or Firm* — Muncy, Geissler, Olds & Lowe, P.C.

(73) Assignee: **SHANGHAI UNITED IMAGING HEALTHCARE CO., LTD.**, Shanghai (CN)

(57) **CLAIM**

The ornamental design for a stand for x-ray digital imaging apparatus, as shown and described.

DESCRIPTION

(**) Term: **15 Years**

(21) Appl. No.: **29/538,789**

(22) Filed: **Sep. 8, 2015**

(30) **Foreign Application Priority Data**

Apr. 1, 2015 (CN) 2015 3 0082583

(51) **LOC (10) Cl.** **24-01**

(52) **U.S. Cl.**
USPC **D24/158**

(58) **Field of Classification Search**
USPC D24/158–161, 185, 186, 107
CPC .. A61B 6/035; A61B 6/4405; A61B 6/4411;
A61B 6/4429; A61B 6/4435; A61B 6/4441;
A61B 6/4447; A61B 6/484
See application file for complete search history.

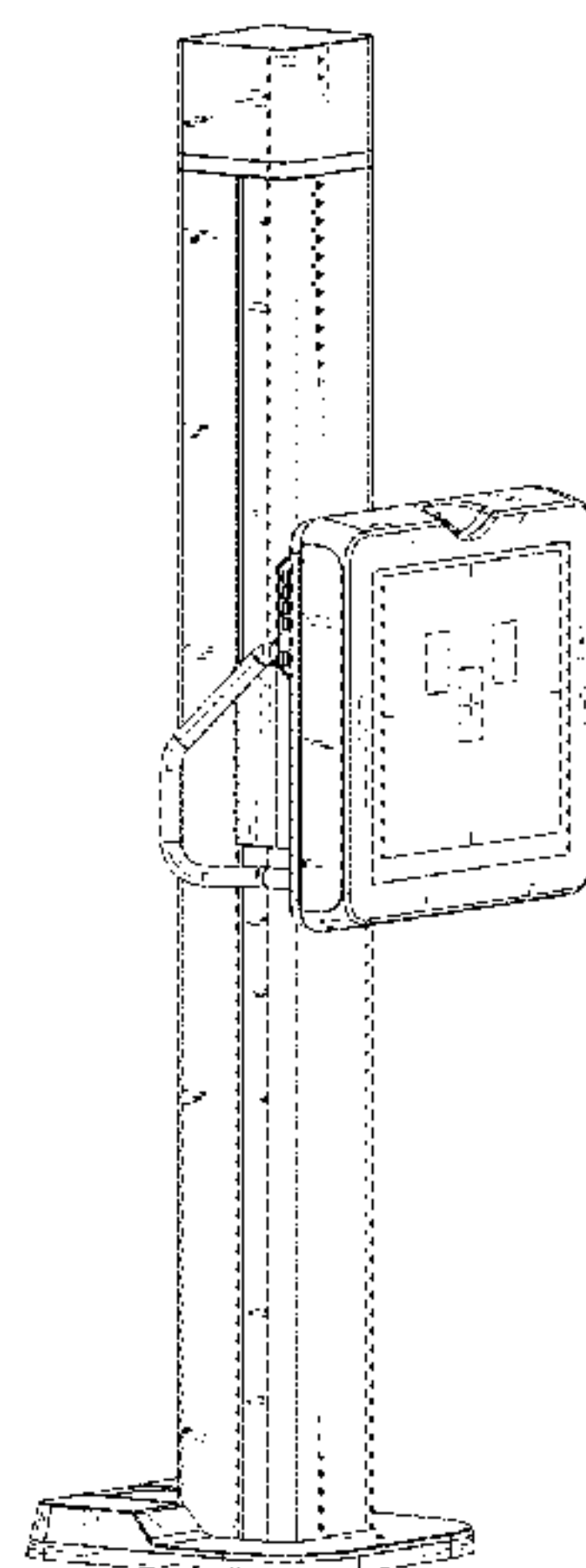
(56) **References Cited**

U.S. PATENT DOCUMENTS

D554,755 S * 11/2007 Iwasaki D24/158
D624,186 S * 9/2010 Youn D24/158
7,949,094 B2 * 5/2011 Ahn A61B 6/447
378/197
D671,217 S * 11/2012 Moon D24/158
D683,021 S * 5/2013 Moon D24/158
D710,013 S * 7/2014 Li D24/158
D715,441 S * 10/2014 Li D24/158
D715,938 S * 10/2014 Li D24/158
D715,940 S * 10/2014 Li D24/158
D715,941 S * 10/2014 Li D24/158

FIG. 1 is a front view of a first embodiment of a stand for x-ray digital imaging apparatus showing our new design; FIG. 2 is a rear view of the first embodiment of the stand for x-ray digital imaging apparatus; FIG. 3 is a left side view of the first embodiment of the stand for x-ray digital imaging apparatus; FIG. 4 is a right side view of the first embodiment of the stand for x-ray digital imaging apparatus; FIG. 5 is a top plan view of the first embodiment of the stand for x-ray digital imaging apparatus; FIG. 6 is a front perspective view of the first embodiment of the stand for x-ray digital imaging apparatus showing our new design; FIG. 7 is a rear perspective view of the first embodiment of the stand for x-ray digital imaging apparatus; FIG. 8 is a front view of a second embodiment of the stand for x-ray digital imaging apparatus; FIG. 9 is a rear view of the second embodiment of the stand for x-ray digital imaging apparatus; FIG. 10 is a left side view of the second embodiment of the stand for x-ray digital imaging apparatus; FIG. 11 is a right side view of the second embodiment of the stand for x-ray digital imaging apparatus; FIG. 12 is a top plan view of the second embodiment of the stand for x-ray digital imaging apparatus; FIG. 13 is a front perspective view of the second embodiment of the stand for x-ray digital imaging apparatus showing our new design; and, FIG. 14 is a rear perspective view of the second embodiment of the stand for x-ray digital imaging apparatus. The bottom plan views of the first and second embodiments are omitted.

1 Claim, 14 Drawing Sheets



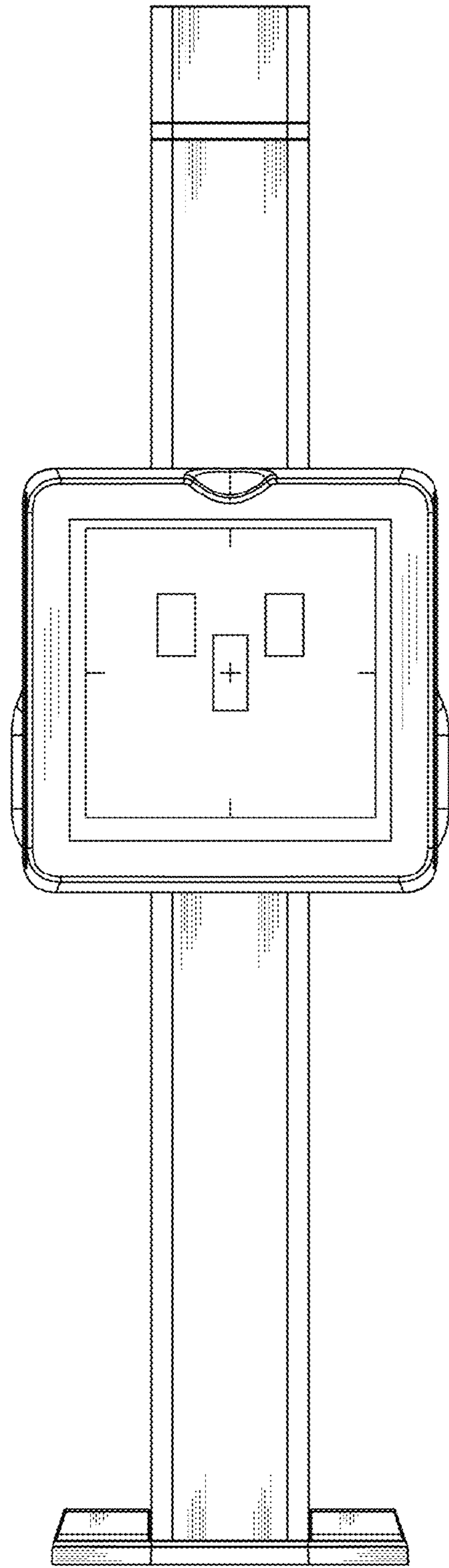


FIG. 1

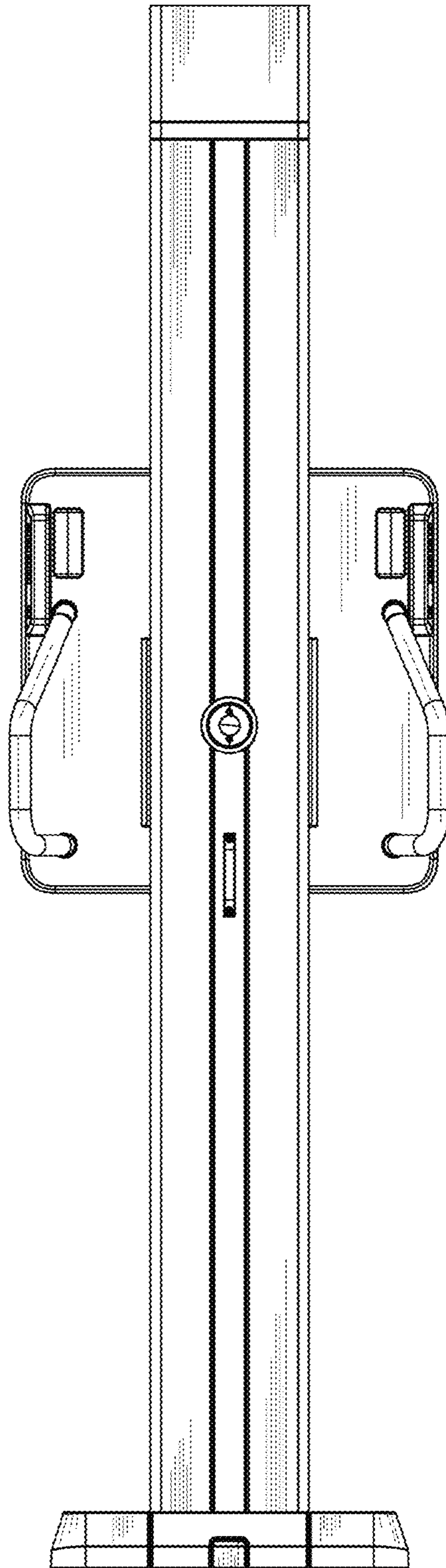


FIG. 2

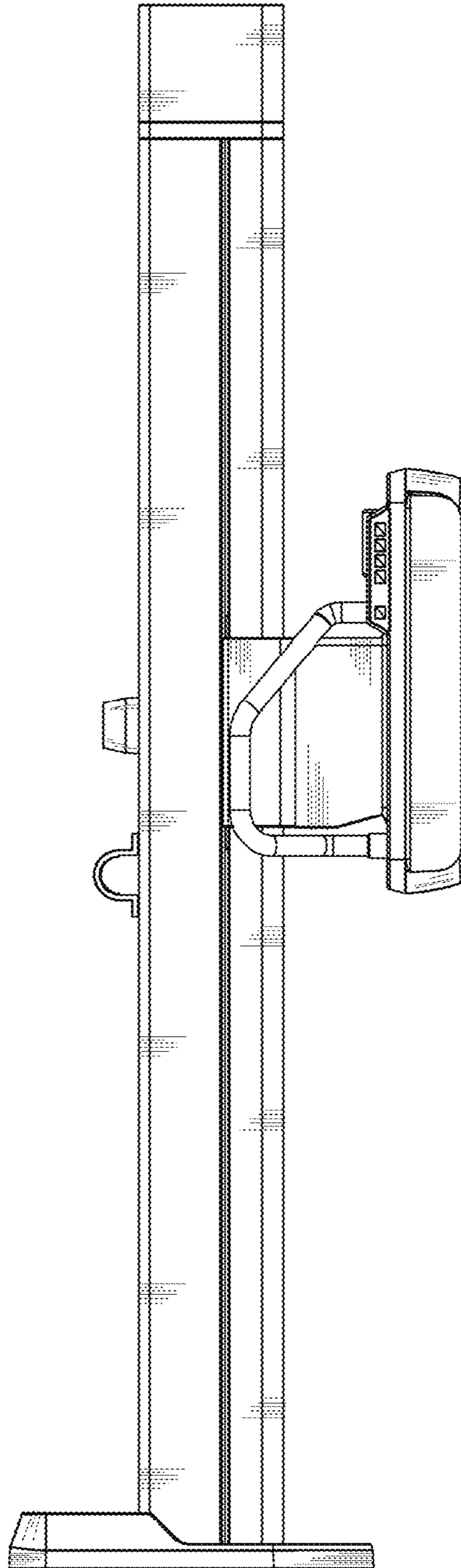


FIG. 3

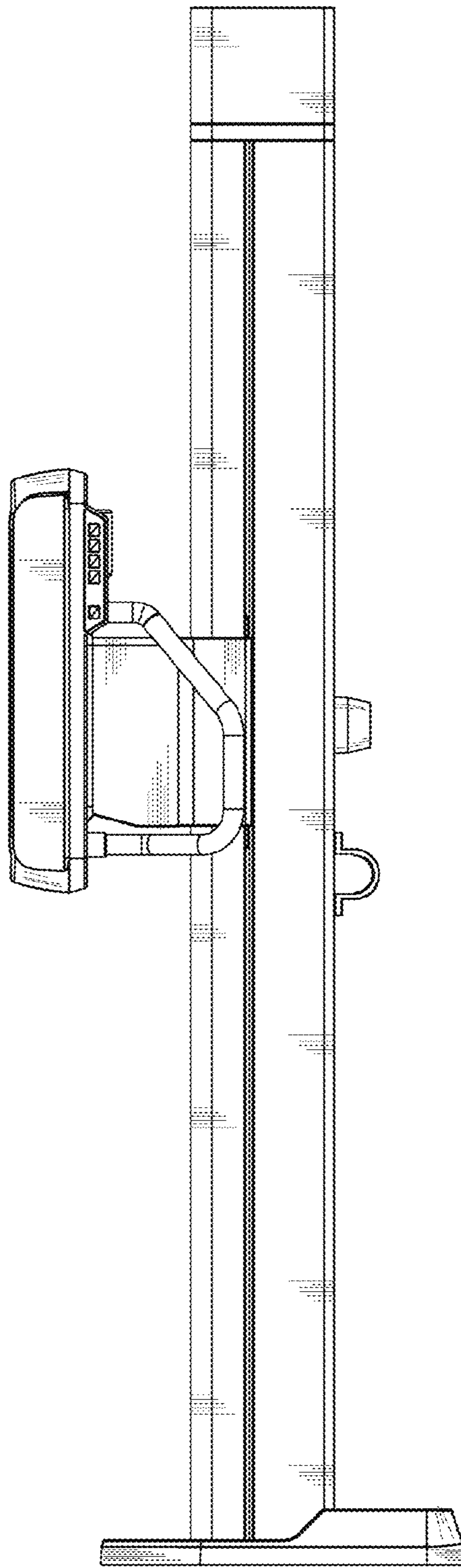


FIG. 4

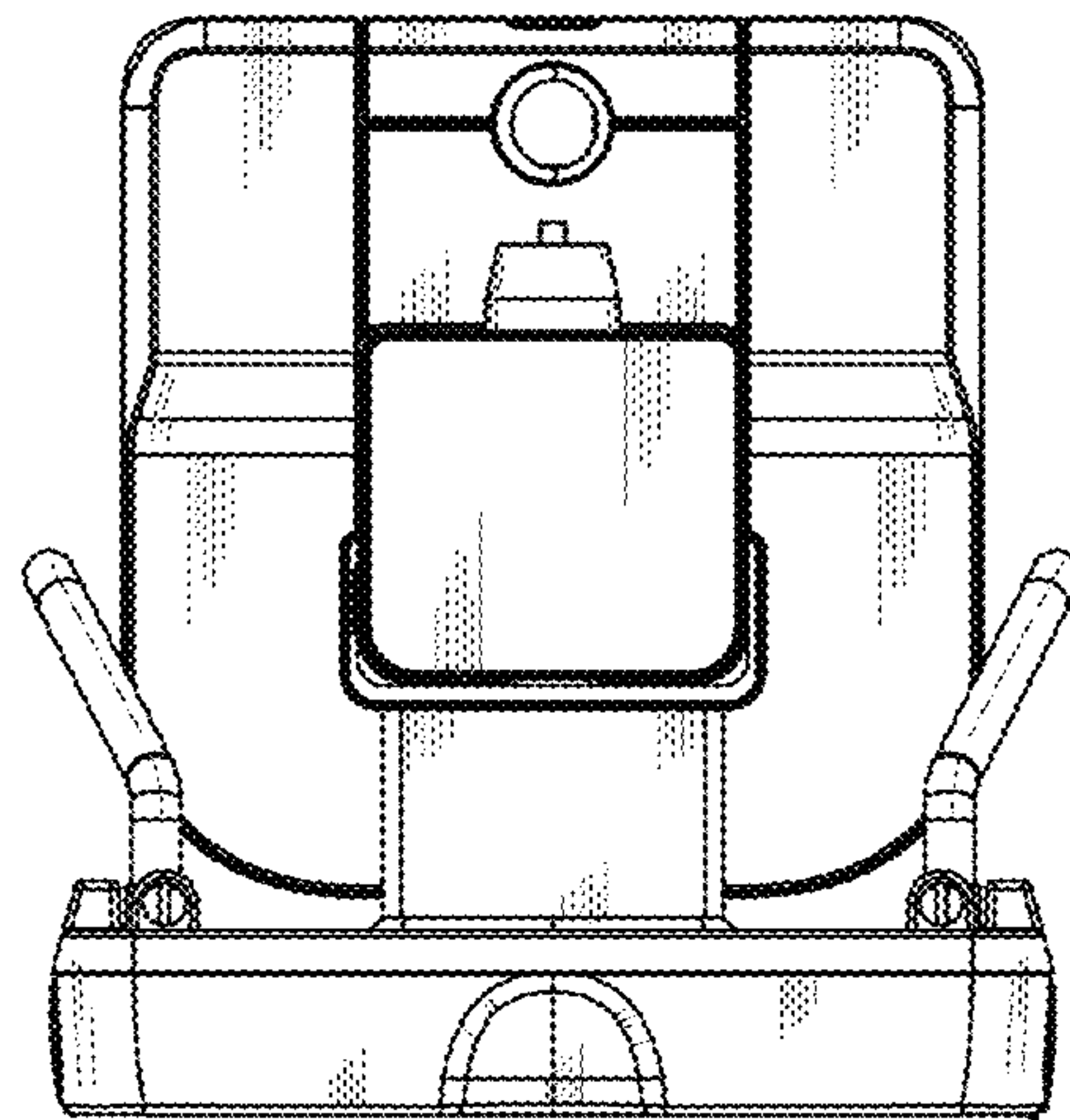


FIG. 5

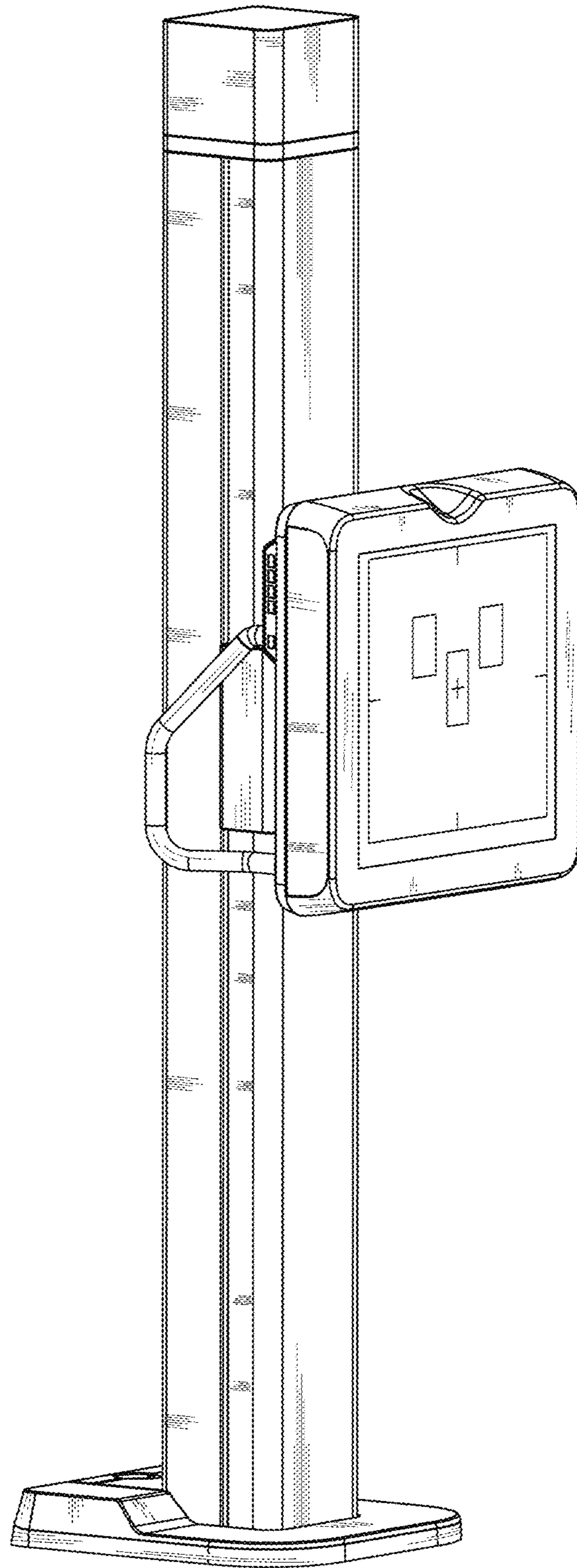


FIG. 6

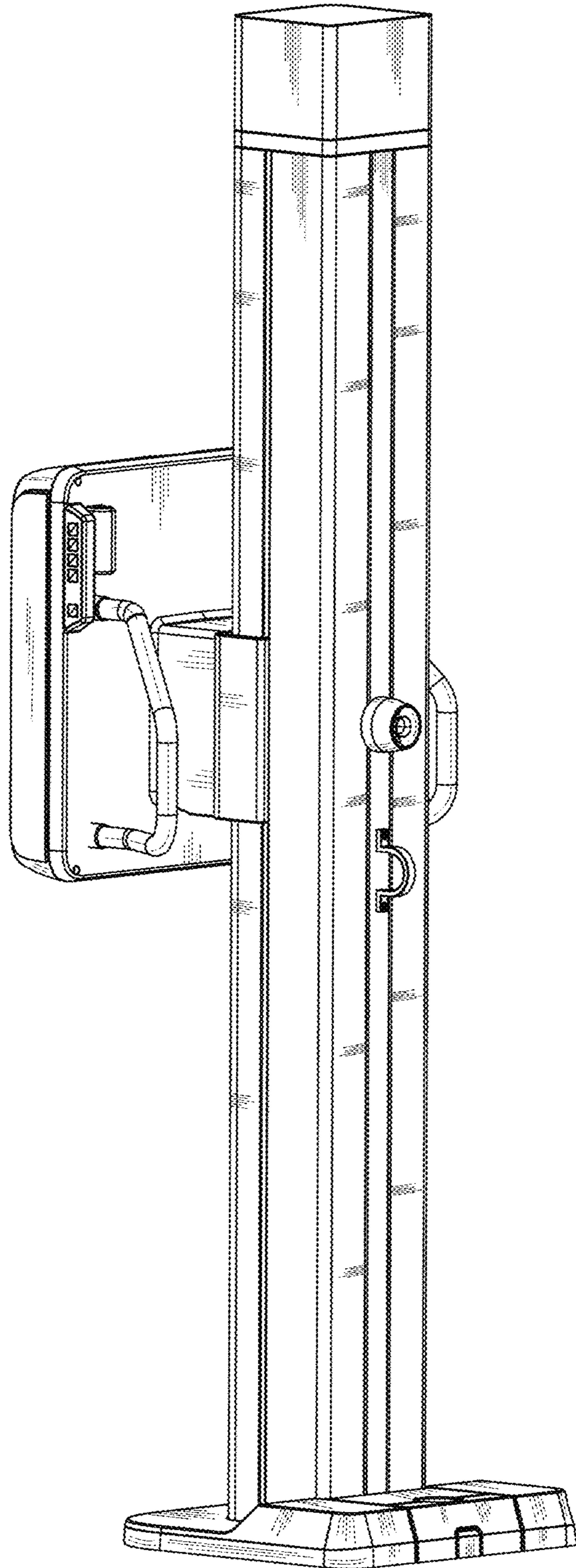


FIG. 7

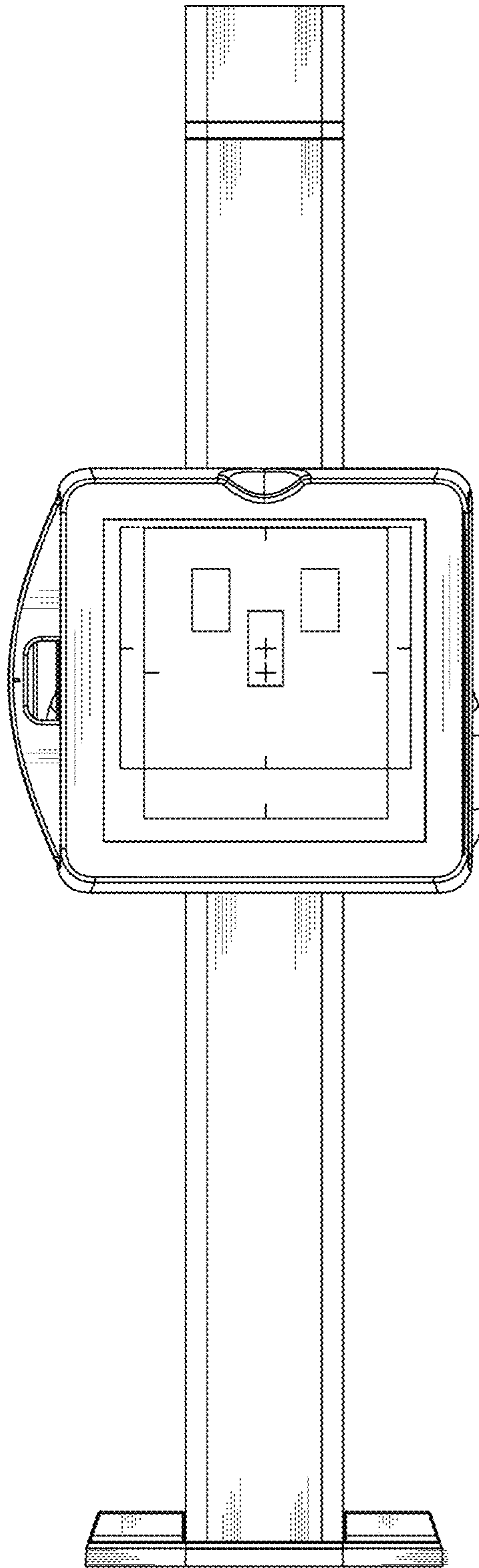


FIG. 8

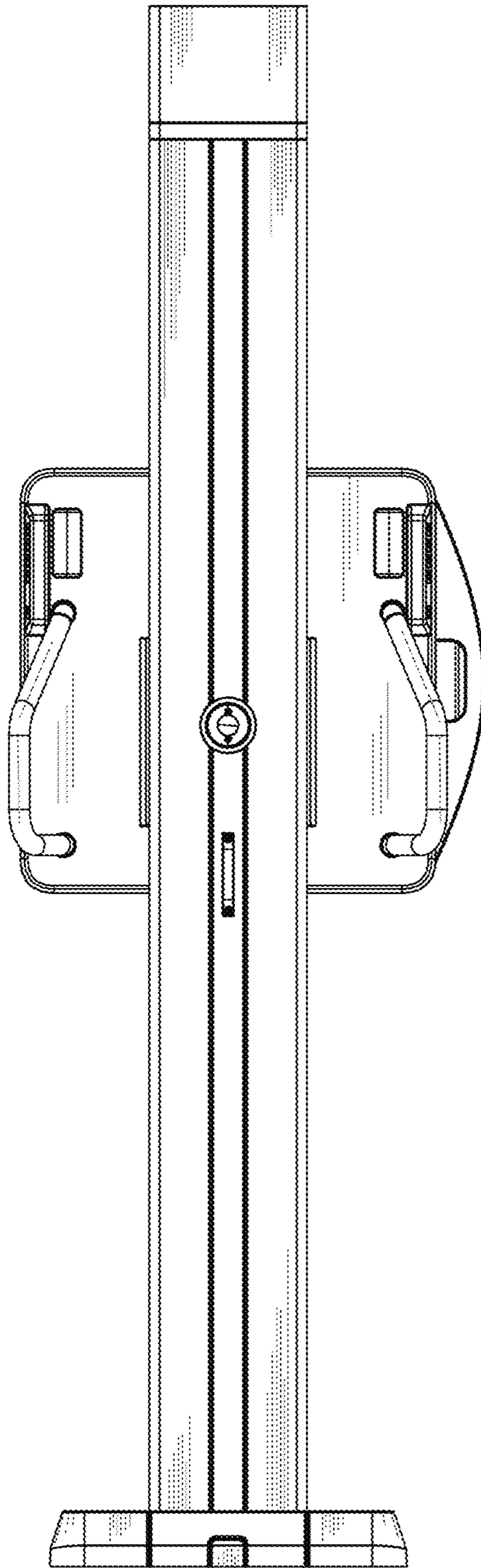


FIG. 9

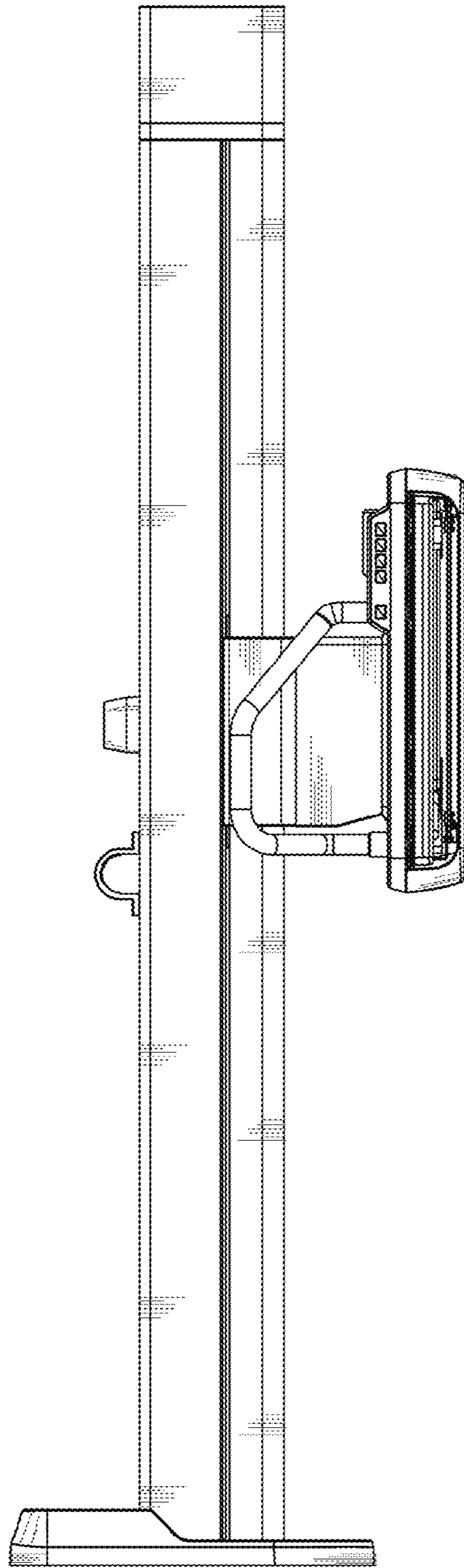


FIG. 10

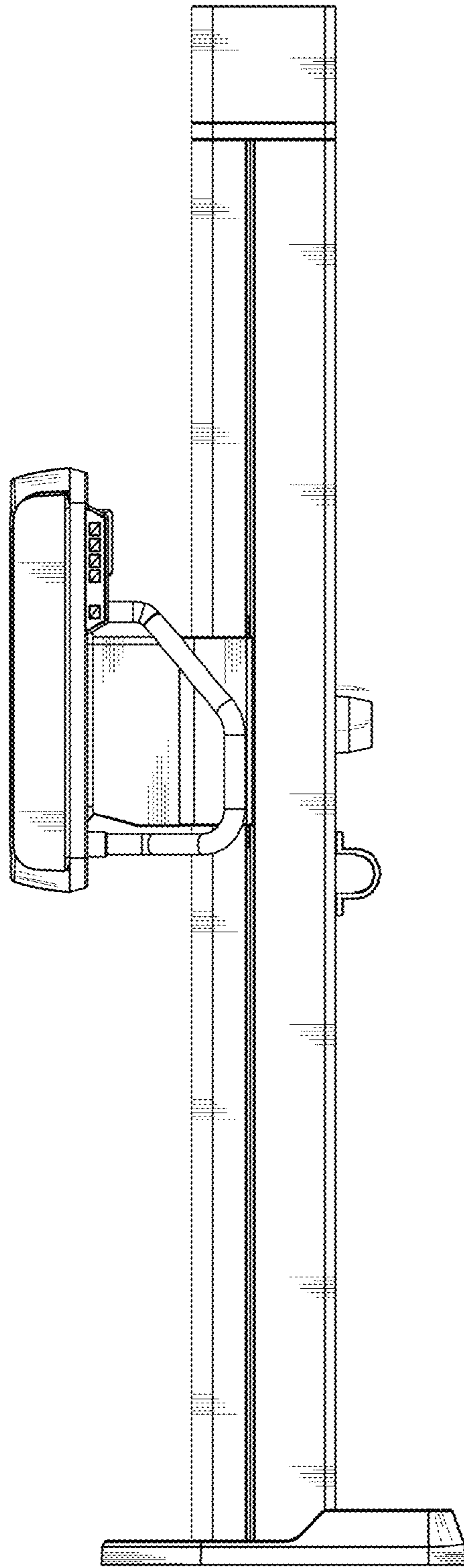


FIG. 11

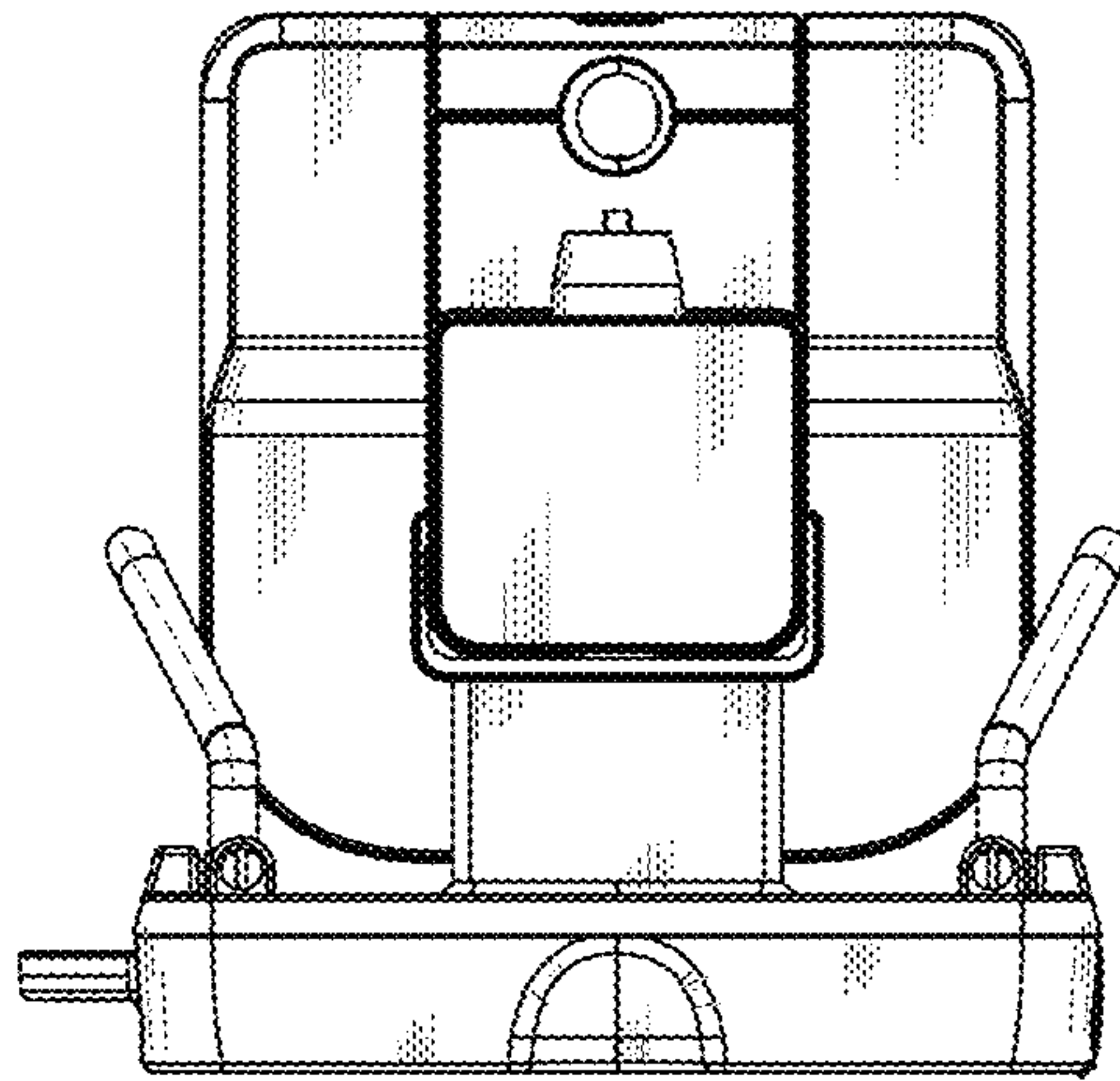


FIG. 12

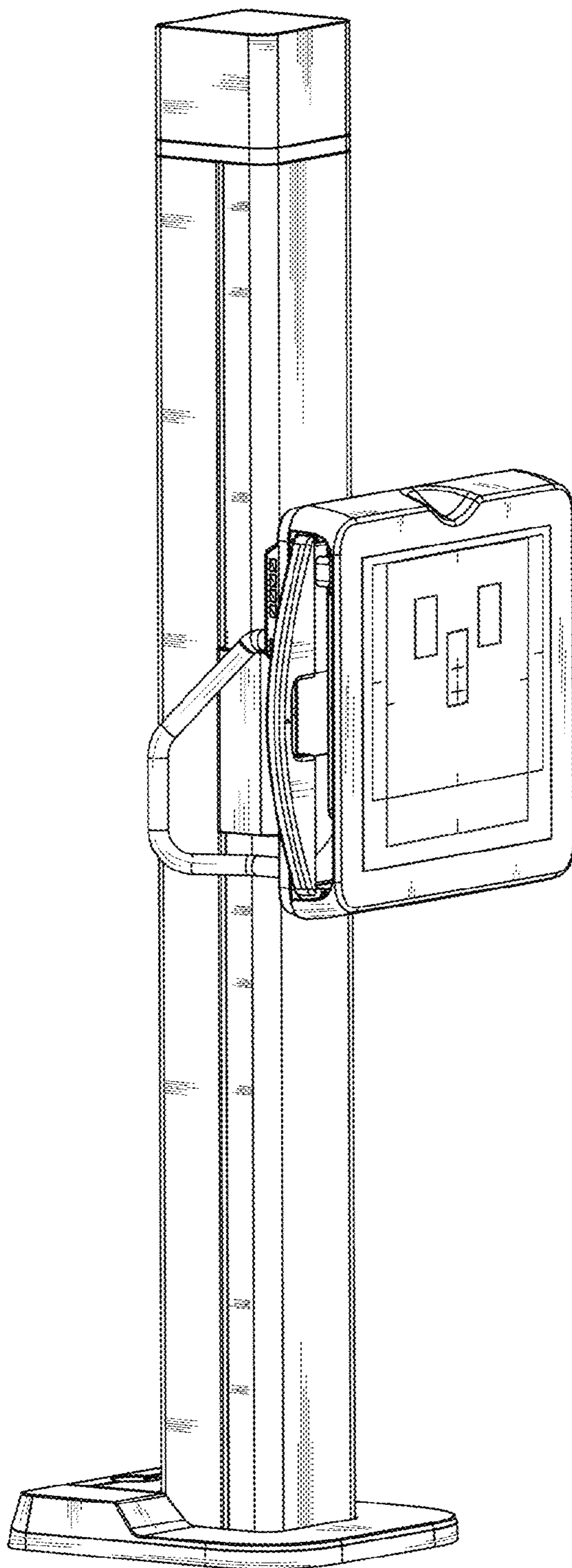


FIG. 13

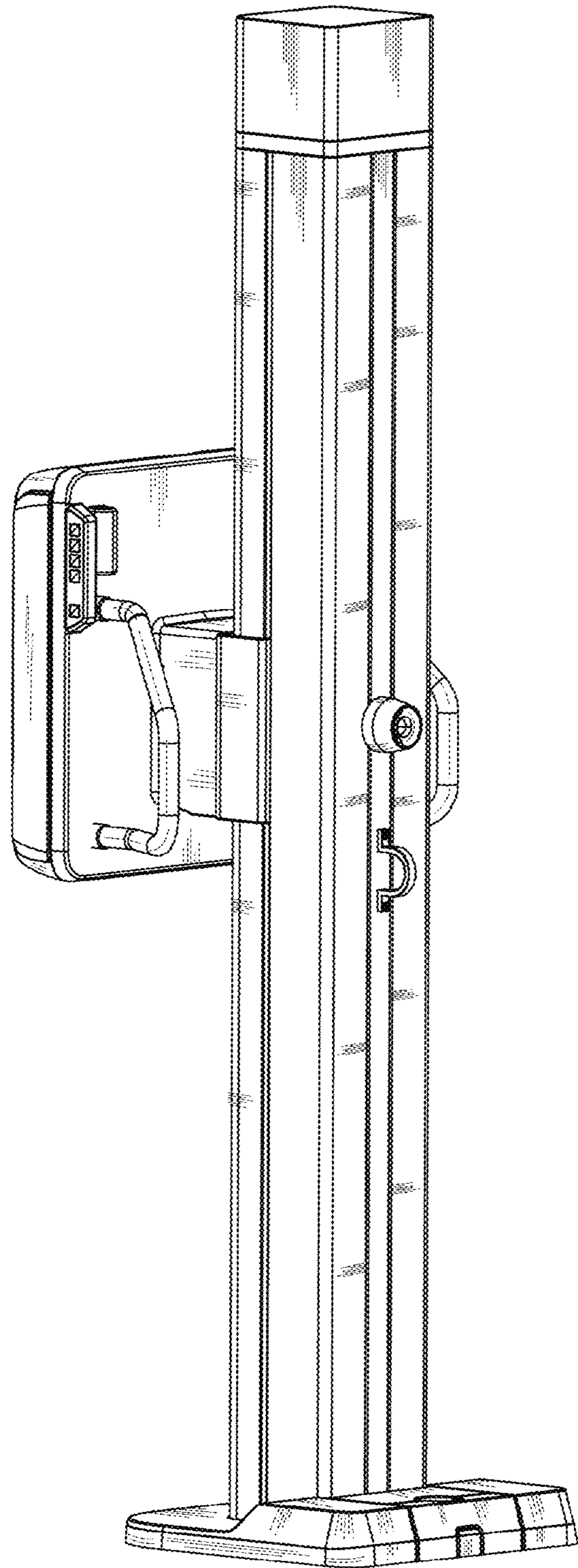


FIG. 14