



US00D767764S

(12) **United States Design Patent**  
**Chamberlain et al.**

(10) **Patent No.:** **US D767,764 S**

(45) **Date of Patent:** **\*\* Sep. 27, 2016**

(54) **ULTRASOUND DEVICE**

(71) Applicant: **FUJIFILM SonoSite, Inc.**, Bothell, WA (US)

(72) Inventors: **Craig Chamberlain**, Seattle, WA (US);  
**Evan McCormack**, Kenmore, WA (US); **Josh Hansen**, Bothell, WA (US)

(73) Assignee: **FUJIFILM SonoSite, Inc.**, Bothell, WA (US)

(\*\*) Term: **14 Years**

(21) Appl. No.: **29/525,653**

(22) Filed: **Apr. 30, 2015**

(51) **LOC (10) Cl.** ..... **24-01**

(52) **U.S. Cl.**  
USPC ..... **D24/158**

(58) **Field of Classification Search**  
USPC ..... D24/158-161, 185, 186, 107; D14/341  
CPC ..... A61B 8/13; A61B 8/44; A61B 8/42;  
A61B 8/46; A61B 8/54  
See application file for complete search history.

(56) **References Cited**

**U.S. PATENT DOCUMENTS**

D558,351 S \* 12/2007 Diener ..... D24/186  
D562,456 S \* 2/2008 Scruggs ..... D24/160

D593,551 S \* 6/2009 Ferrari ..... D14/341  
D621,515 S \* 8/2010 Chua ..... D24/186  
D629,113 S \* 12/2010 Wodecki ..... D24/186  
D650,484 S \* 12/2011 Shinohara ..... D24/186  
D723,173 S \* 2/2015 Kim ..... D24/160  
D725,784 S \* 3/2015 Xia ..... D24/186

\* cited by examiner

*Primary Examiner* — Anhdao Doan

(74) *Attorney, Agent, or Firm* — Perkins Coie LLP

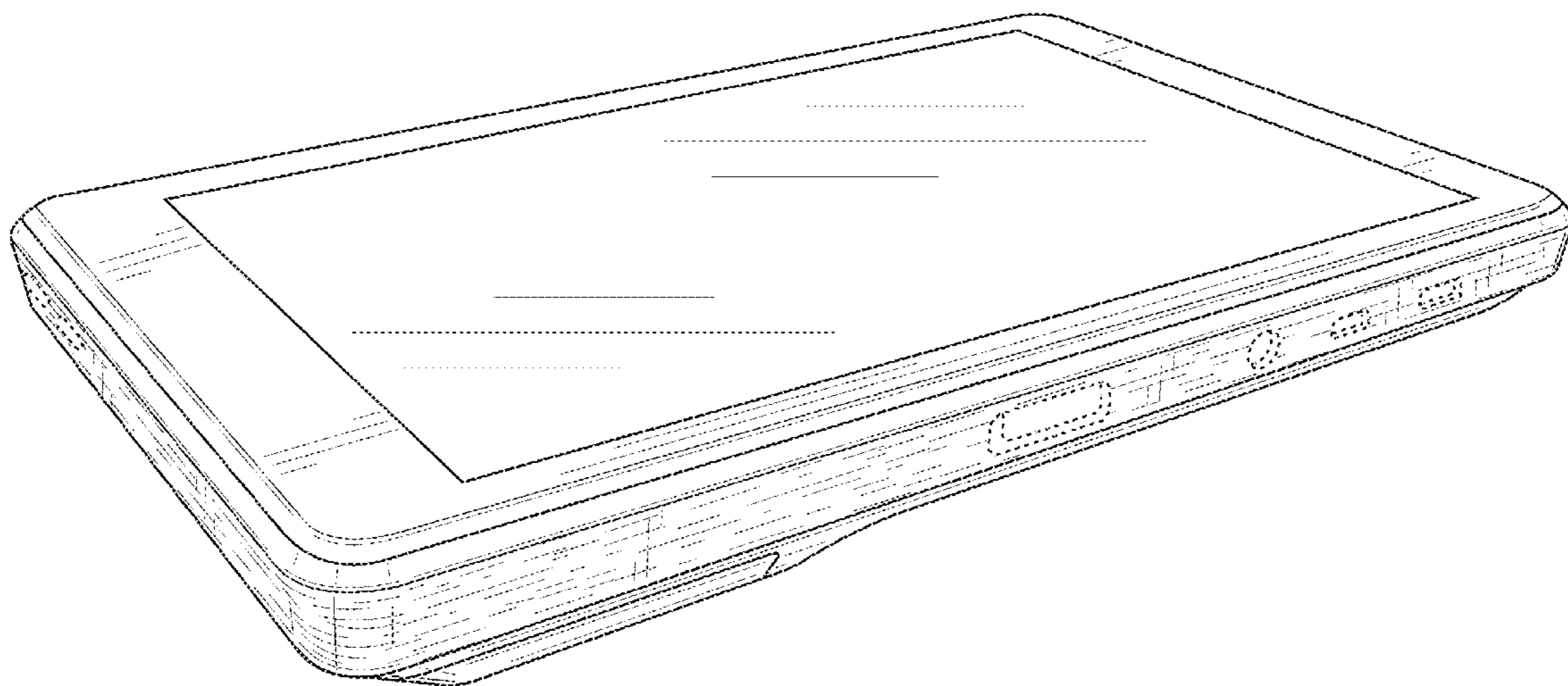
(57) **CLAIM**

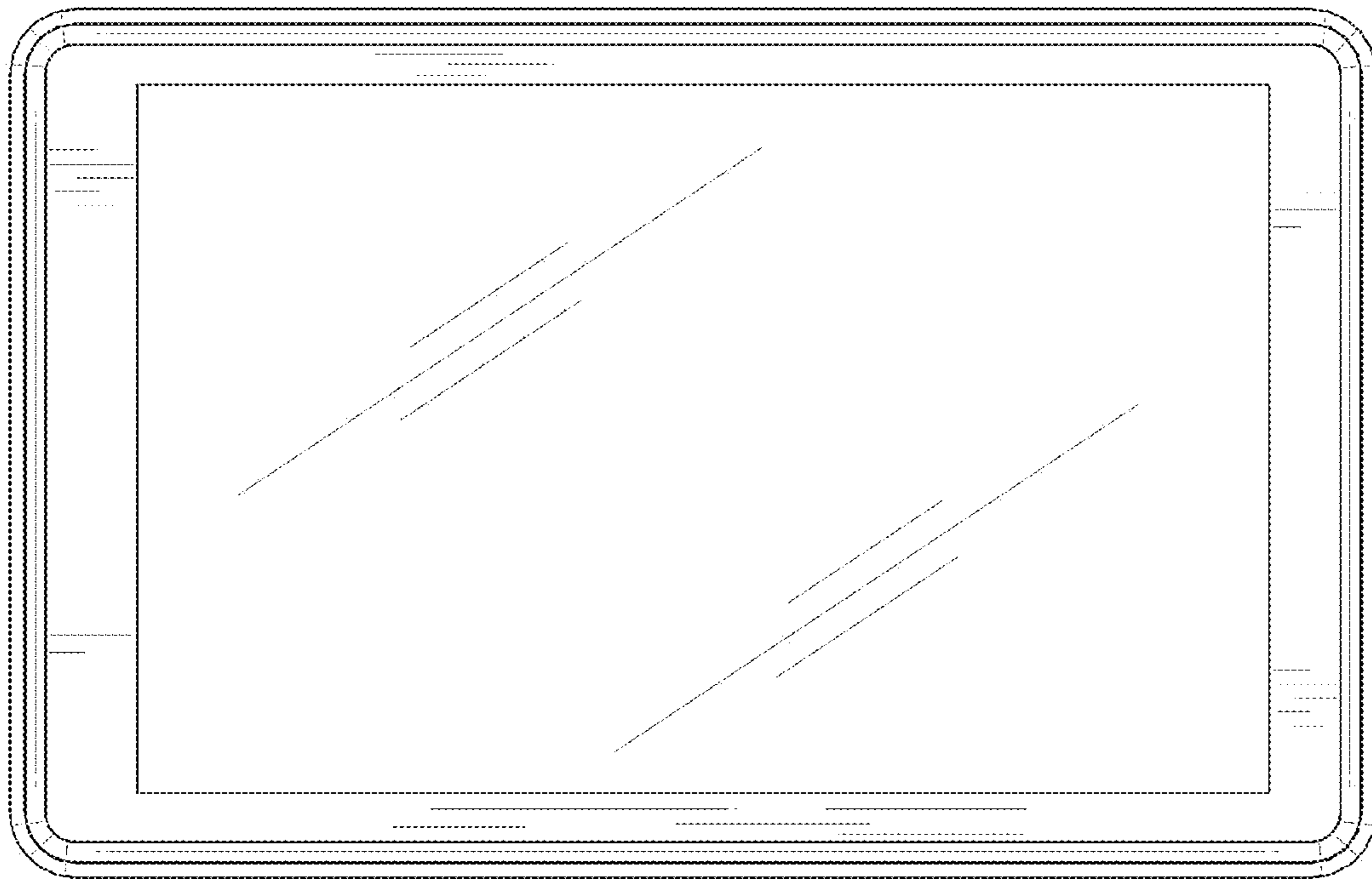
The ornamental design for an ultrasound device, as shown and described.

**DESCRIPTION**

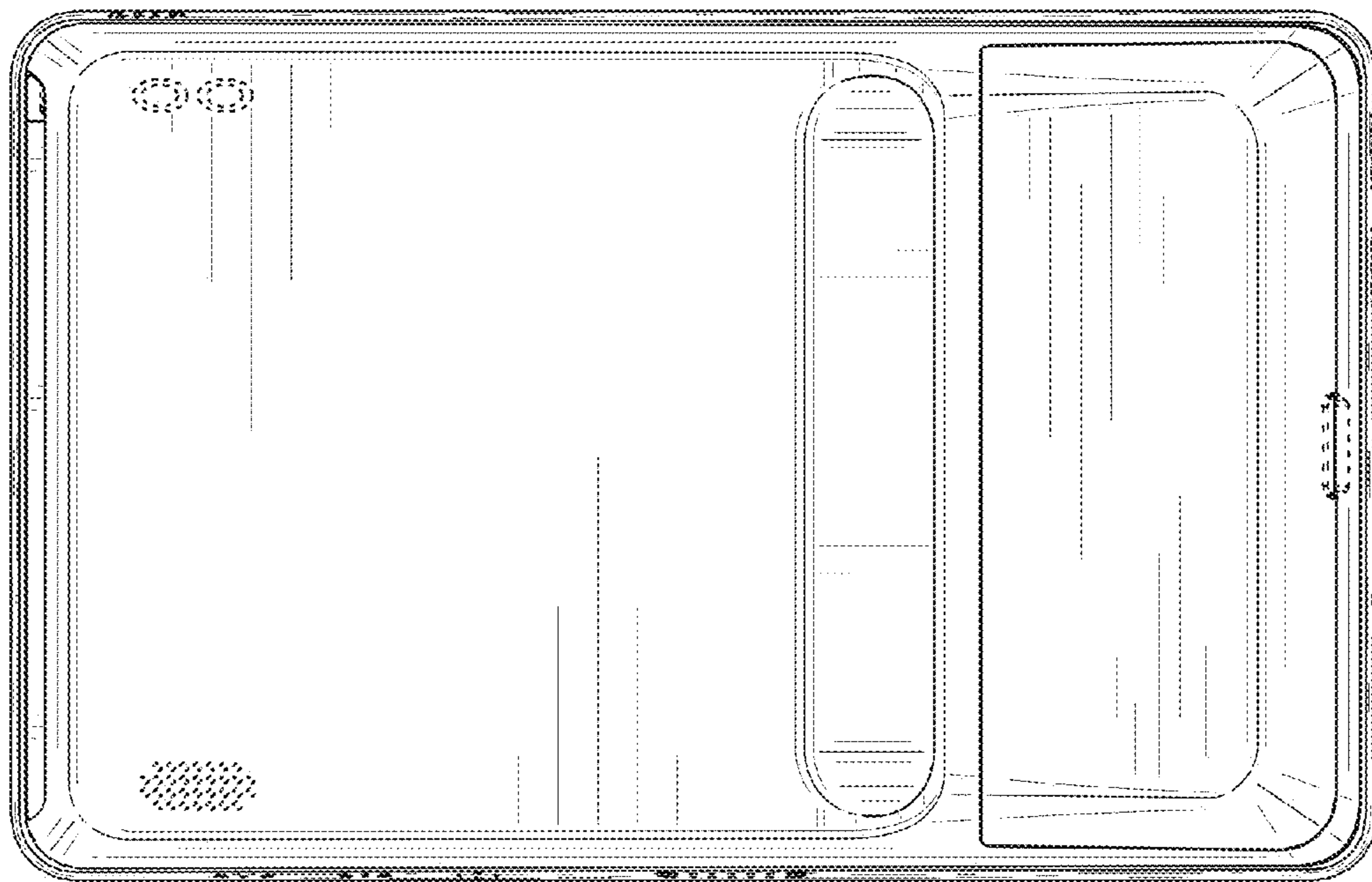
FIG. 1 is top view of an ultrasound device;  
FIG. 2 is an underside view thereof;  
FIG. 3 is a front view thereof;  
FIG. 4 is a rear view thereof;  
FIG. 5 is a first side view thereof.  
FIG. 6 is second side view thereof;  
FIG. 7 is a top perspective view thereof;  
FIG. 8 is an underside perspective view thereof; and,  
FIG. 9 is a side perspective view thereof.  
The broken lines in the drawings are included for the purpose of illustrating portions of the hand-held portable ultrasound device that form no part of the claimed design.

**1 Claim, 7 Drawing Sheets**





*Fig. 1*



*Fig. 2*

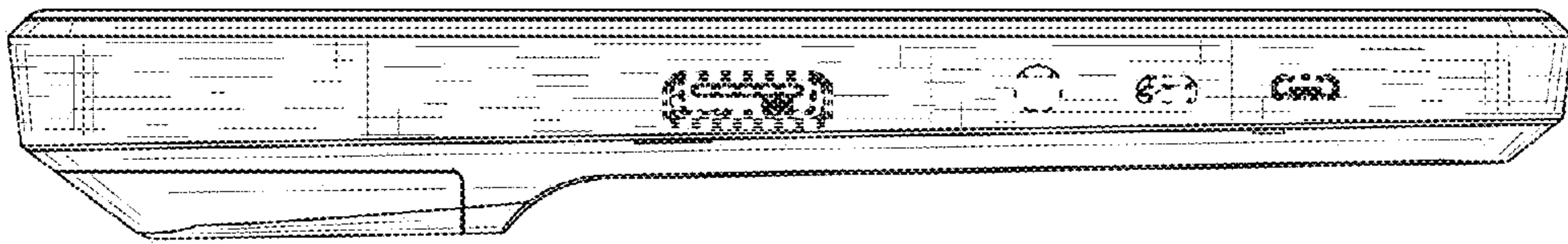


Fig. 3

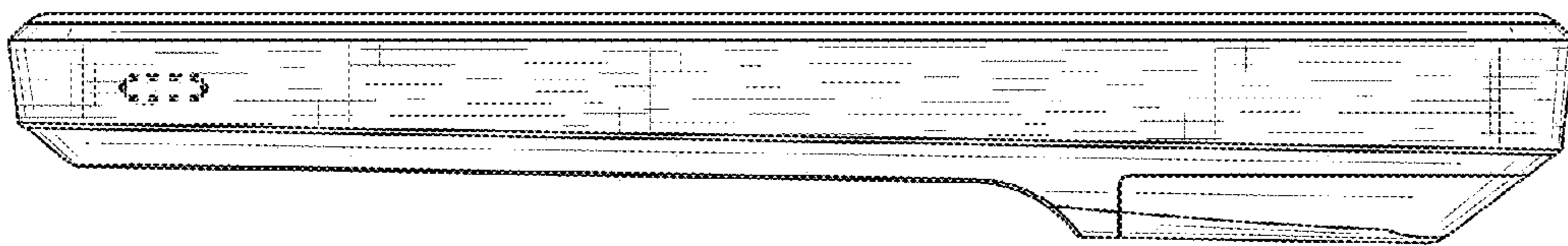
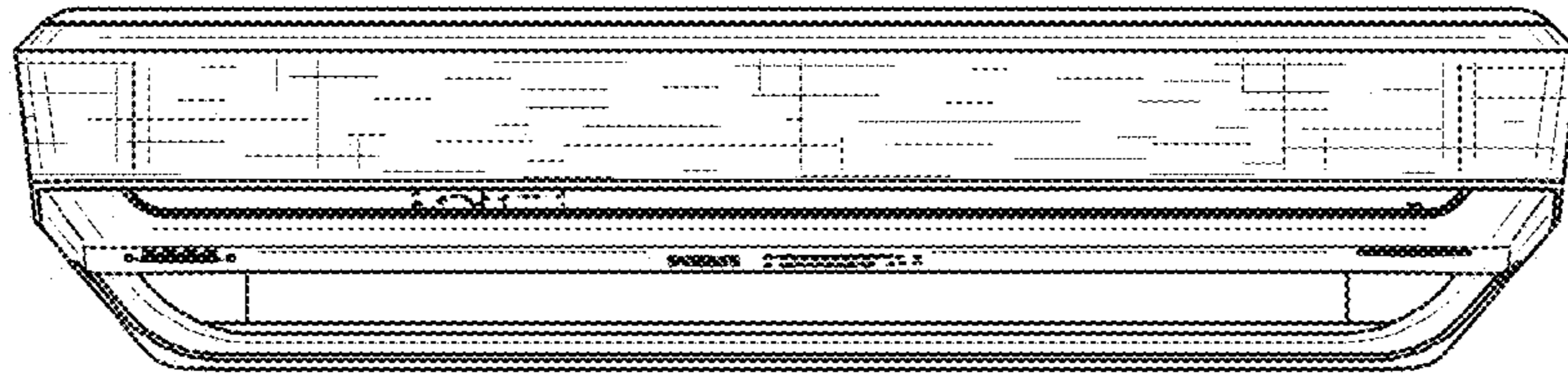
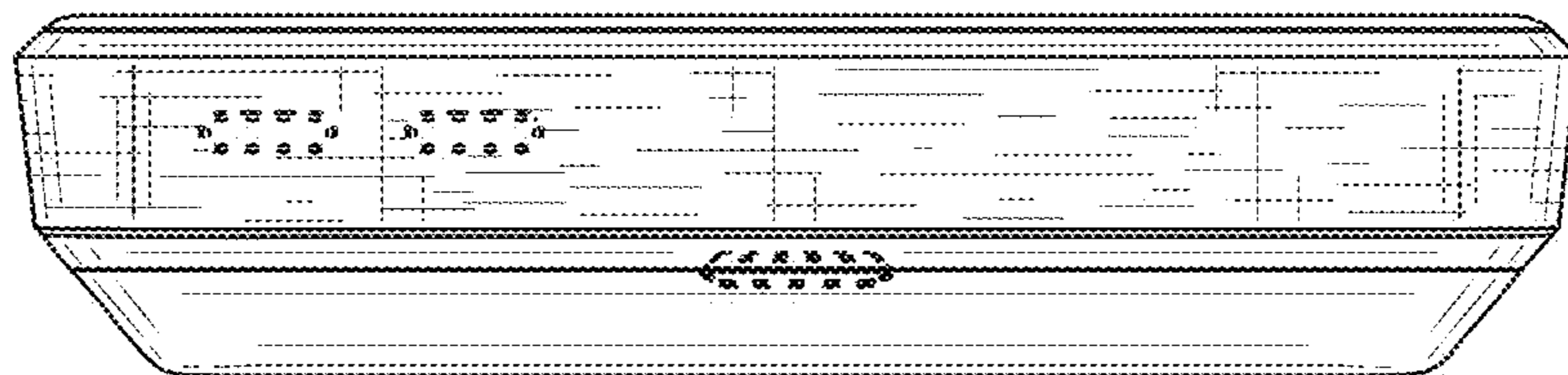


Fig. 4



*Fig. 5*



*Fig. 6*

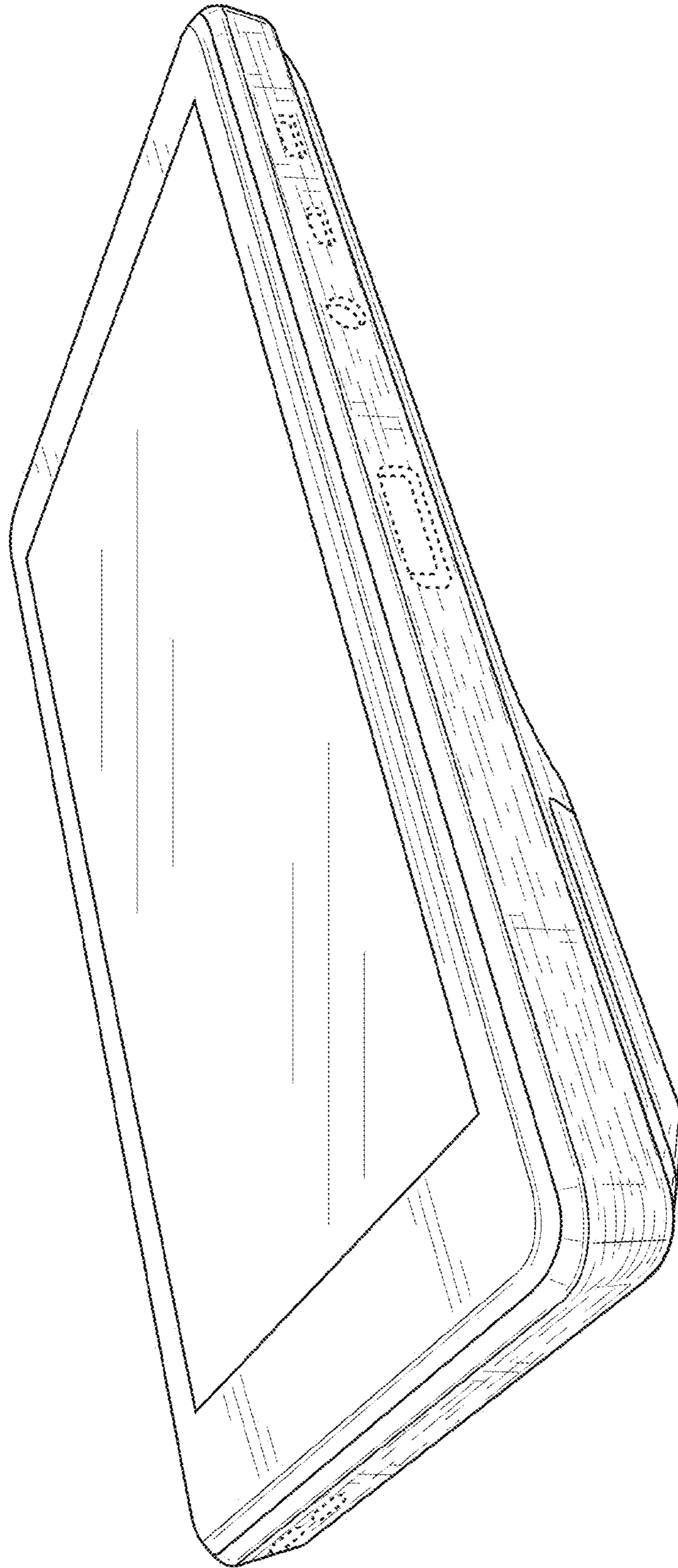


Fig. 7

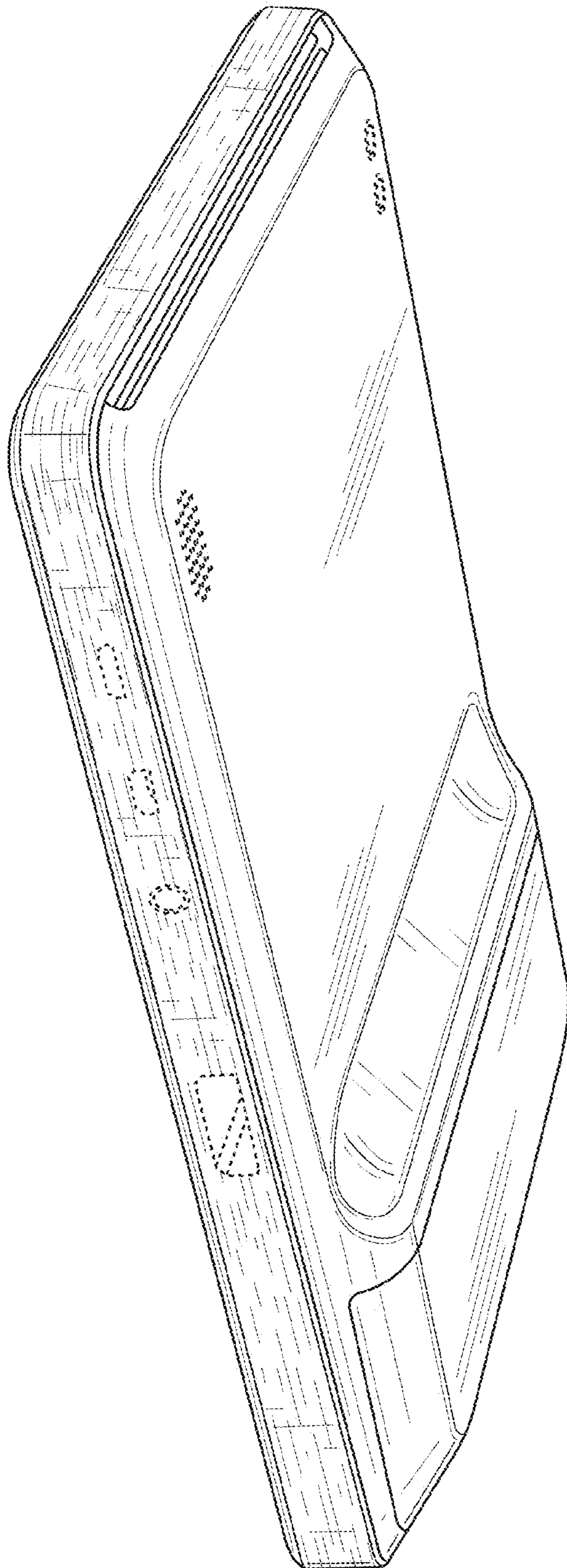


Fig. 8



Fig. 9