



US00D767763S

(12) **United States Design Patent** (10) **Patent No.:** **US D767,763 S**
Bar Shalom (45) **Date of Patent:** **** *Sep. 27, 2016**

(54) **DENTAL CONNECTOR ASSEMBLY**

(74) *Attorney, Agent, or Firm* — Pearl Cohen Zedek Latzer Baratz LLP

(71) Applicant: **A.B. Dental Devices Ltd**, Nir Galim (IL)

(72) Inventor: **Eliezer Bar Shalom**, Nir-Galim (IL)

(57) **CLAIM**

The ornamental design for a dental connector assembly, as shown and described.

(73) Assignee: **A.B. Dental Devices Ltd.**, Nir Galim (IL)

DESCRIPTION

(*) Notice: This patent is subject to a terminal disclaimer.

FIG. 1 is a top, front, right side perspective view of a first portion of the dental connector assembly;
 FIG. 2 is a right side elevational view thereof, the left side elevational view being identical thereto;
 FIG. 3 is a front elevational view of thereof;
 FIG. 4 is a back elevational view thereof;
 FIG. 5 is a top plan view thereof;
 FIG. 6 is a bottom plan view of thereof;
 FIG. 7 is a top, front, right side perspective view of a second portion of the dental connector assembly;
 FIG. 8 is a right side elevational view of thereof, the left side elevational view being identical thereto;
 FIG. 9 is a front elevational view of thereof;
 FIG. 10 is a back elevational view of thereof;
 FIG. 11 is a top plan view of thereof;
 FIG. 12 is a bottom plan view of thereof;
 FIG. 13 is a top, front, right side perspective view of the dental connector assembly;
 FIG. 14 is a right side elevational view thereof, the left side elevational view being identical thereto;
 FIG. 15 is a front elevational view of thereof;
 FIG. 16 is a back elevational view thereof;
 FIG. 17 is a top plan view of thereof; and
 FIG. 18 is a bottom plan view of thereof;
 FIG. 19 is a top, front, right side exploded perspective view of the dental connector assembly;
 FIG. 20 is a right side exploded elevational view thereof, the left side exploded elevational view being identical thereto;
 FIG. 21 is a top exploded elevational view thereof; and,
 FIG. 22 is a back exploded elevational view thereof.
 The portions shown in broken line form no part of the claimed subject matter.

(**) Term: **14 Years**

(21) Appl. No.: **29/464,021**

(22) Filed: **Aug. 12, 2013**

(30) **Foreign Application Priority Data**

Feb. 11, 2013 (IL) 53708

(51) **LOC (10) Cl.** **24-02**

(52) **U.S. Cl.**
USPC **D24/156**

(58) **Field of Classification Search**
 USPC D24/155–156, 176; D8/387; D15/21, D15/28; 433/172–174; 623/17.16, 17.17, 623/11.11, 23.26, 23.27; 606/304, 74
 CPC A61C 8/0089; A61C 8/0069; A61C 8/0054; A61C 8/00; A61C 8/0096; A61C 8/0039; A61C 8/0063; A61C 8/006; A61C 8/0001; A61C 8/0012; A61C 8/0075; A61C 13/225
 See application file for complete search history.

(56) **References Cited**

U.S. PATENT DOCUMENTS

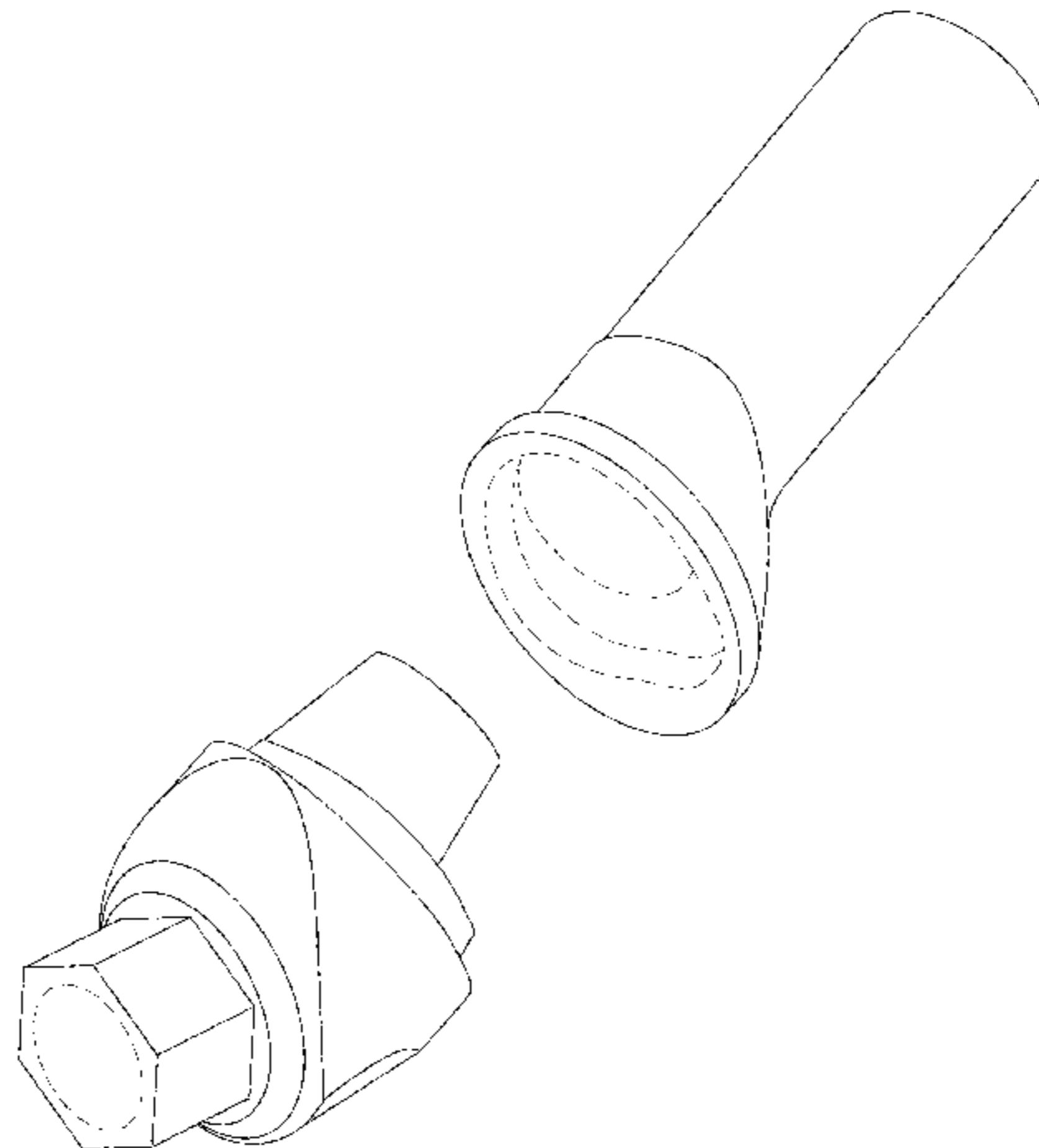
5,030,095 A * 7/1991 Niznick 433/173
 5,195,891 A * 3/1993 Sulc 433/173

(Continued)

Primary Examiner — Susan Bennett Hattan

Assistant Examiner — Charles Hanson

1 Claim, 22 Drawing Sheets



US D767,763 S

Page 2

(56)

References Cited

U.S. PATENT DOCUMENTS

6,786,725 B2 * 9/2004 Lustig et al. 433/173
6,994,547 B1 * 2/2006 Sethi et al. 433/72
7,249,949 B2 * 7/2007 Carter 433/173
7,632,095 B2 * 12/2009 Ostman et al. 433/172

D612,056 S * 3/2010 White, III D24/156
D646,786 S * 10/2011 Anita Aldecoa D24/156
8,033,826 B2 * 10/2011 Towse et al. 433/172
8,142,193 B2 * 3/2012 Bar Shalom 433/173
8,425,230 B2 * 4/2013 Towse et al. 433/173

* cited by examiner

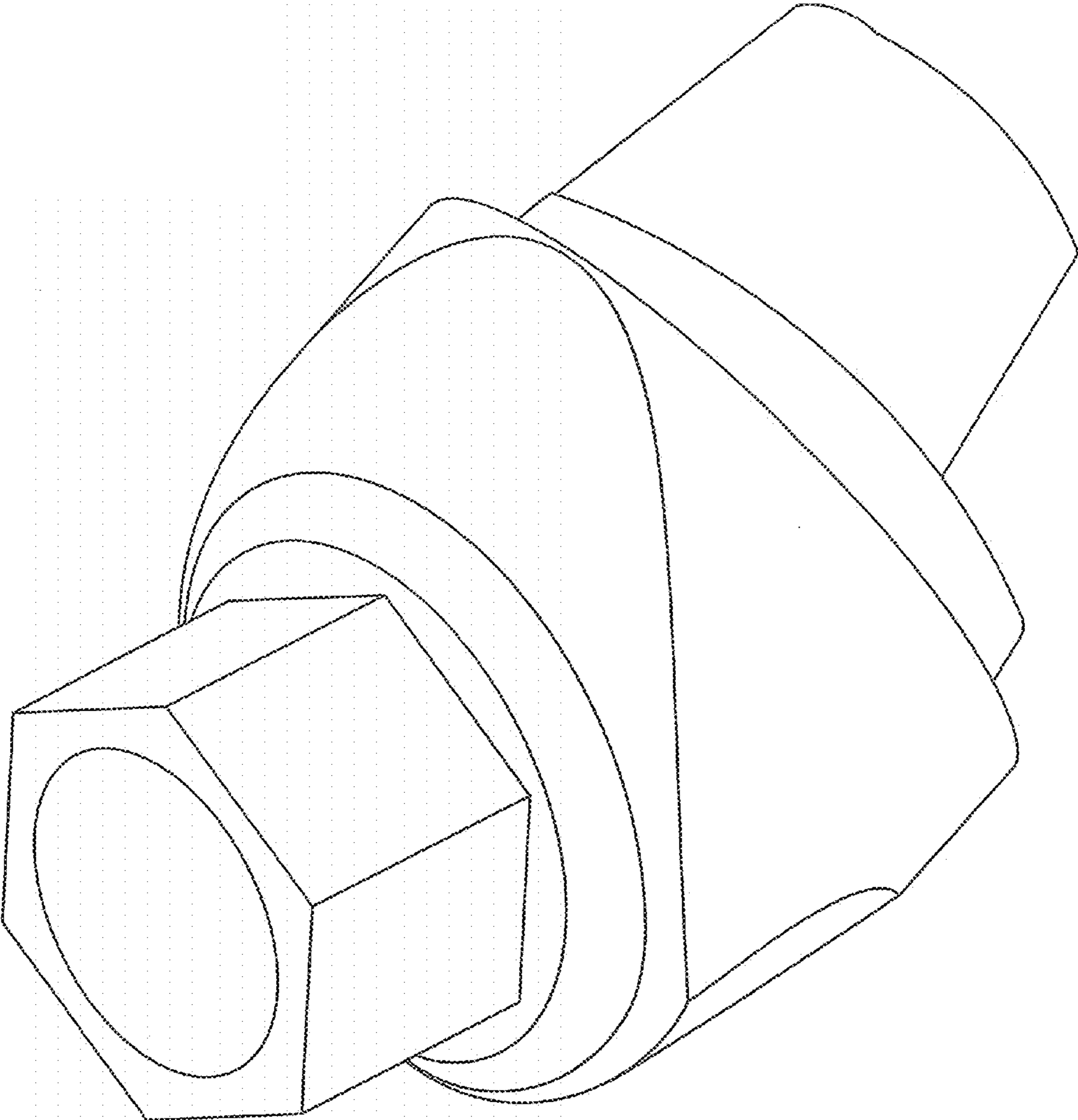


FIG. 1

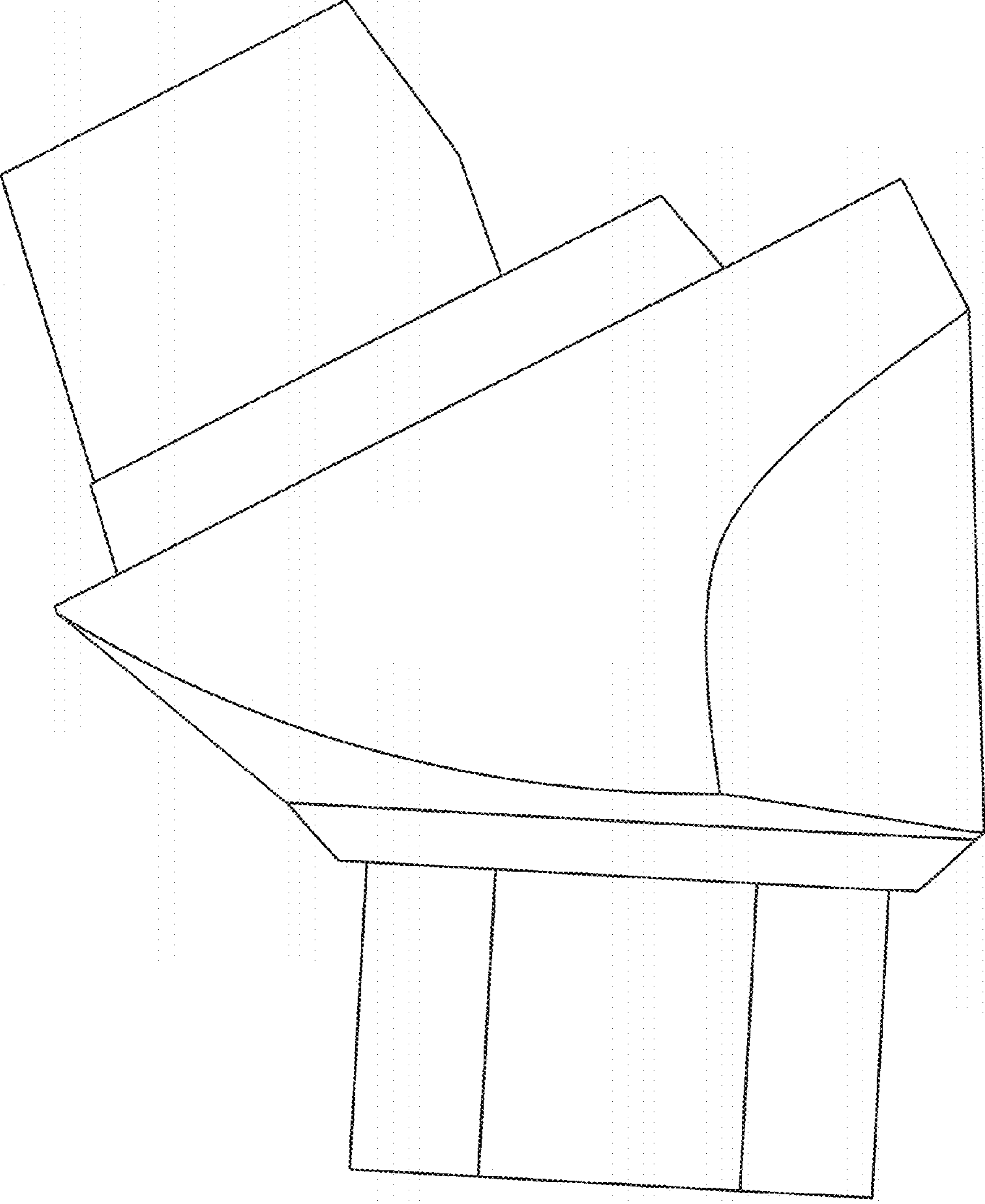


FIG. 2

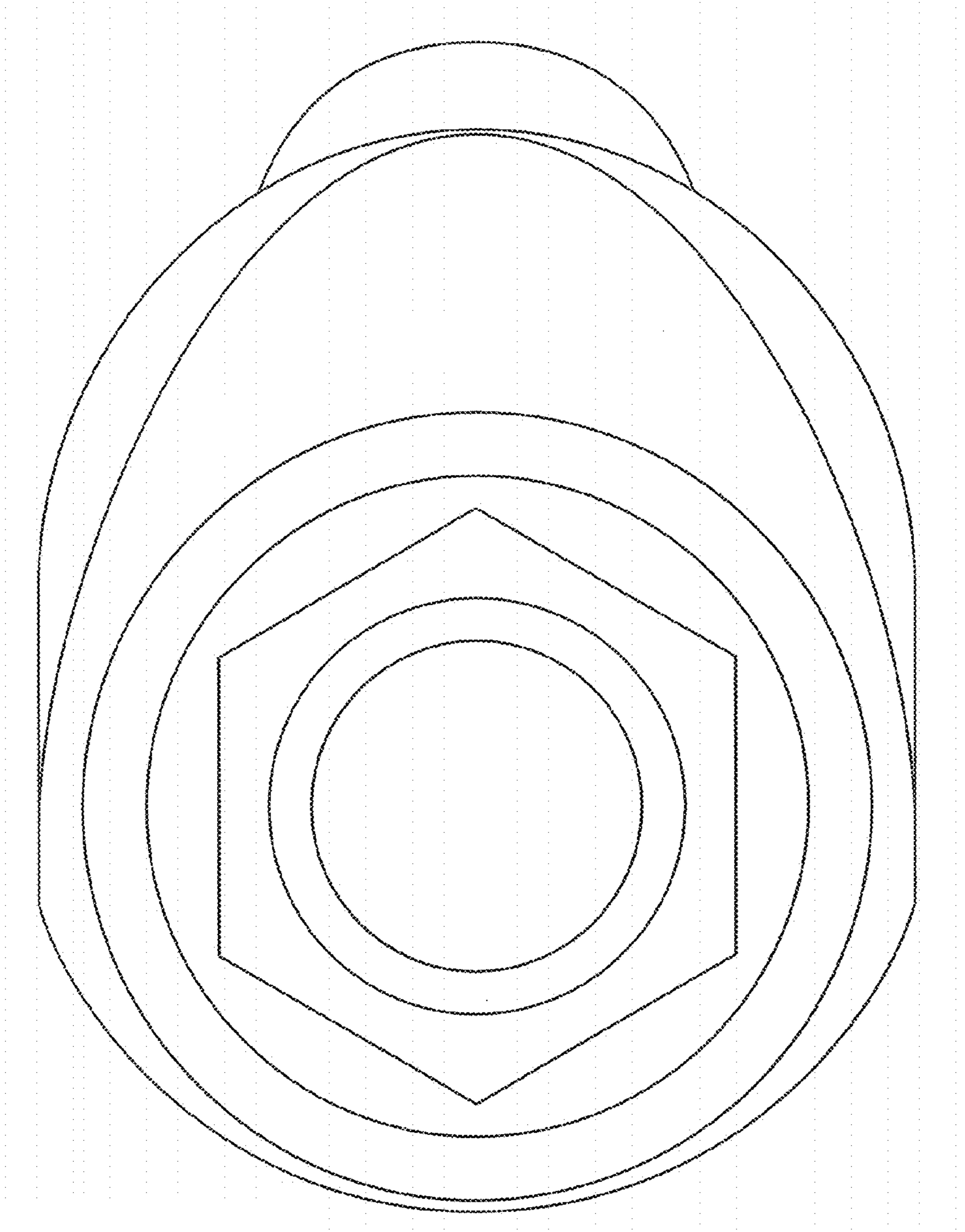


FIG. 3

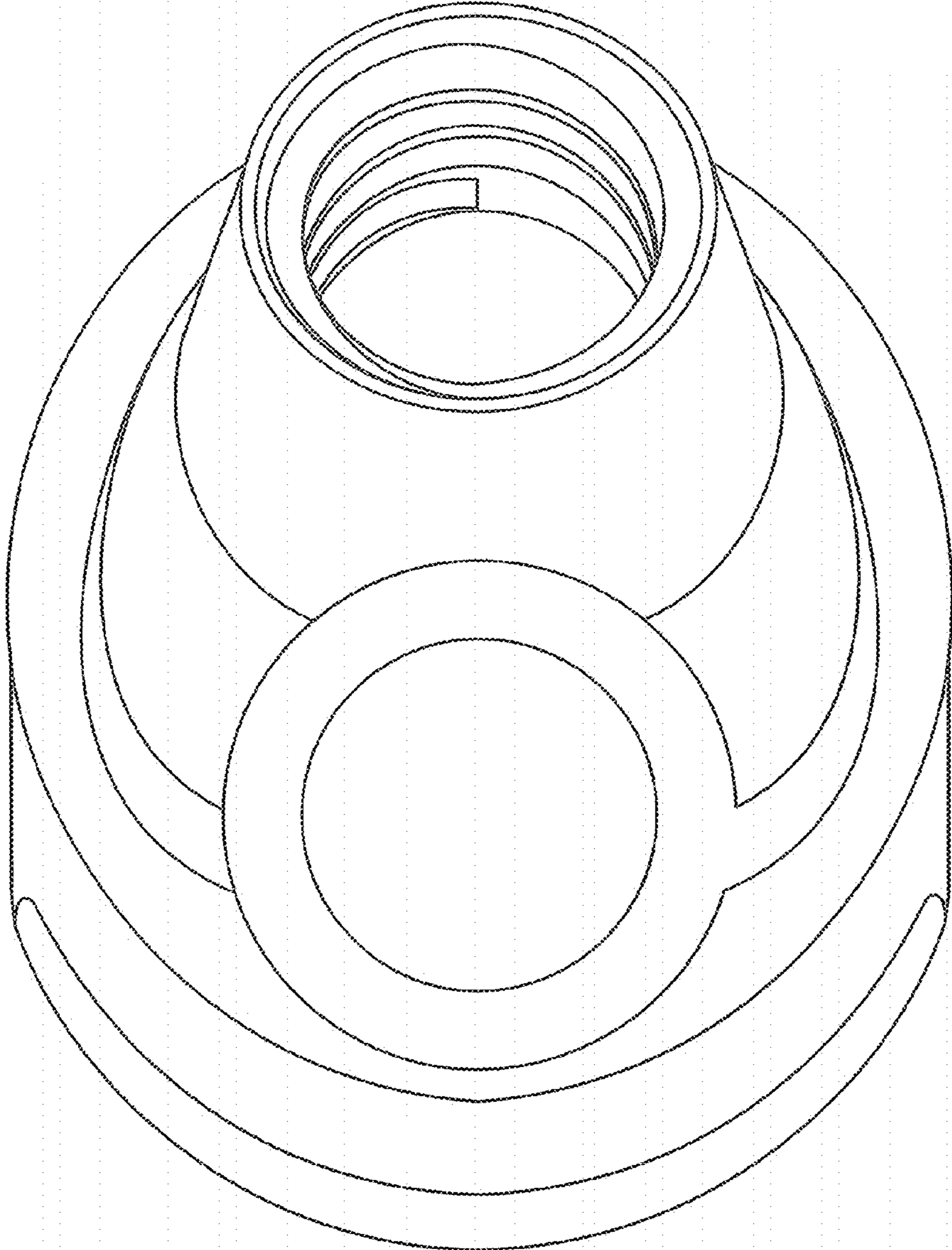


FIG. 4

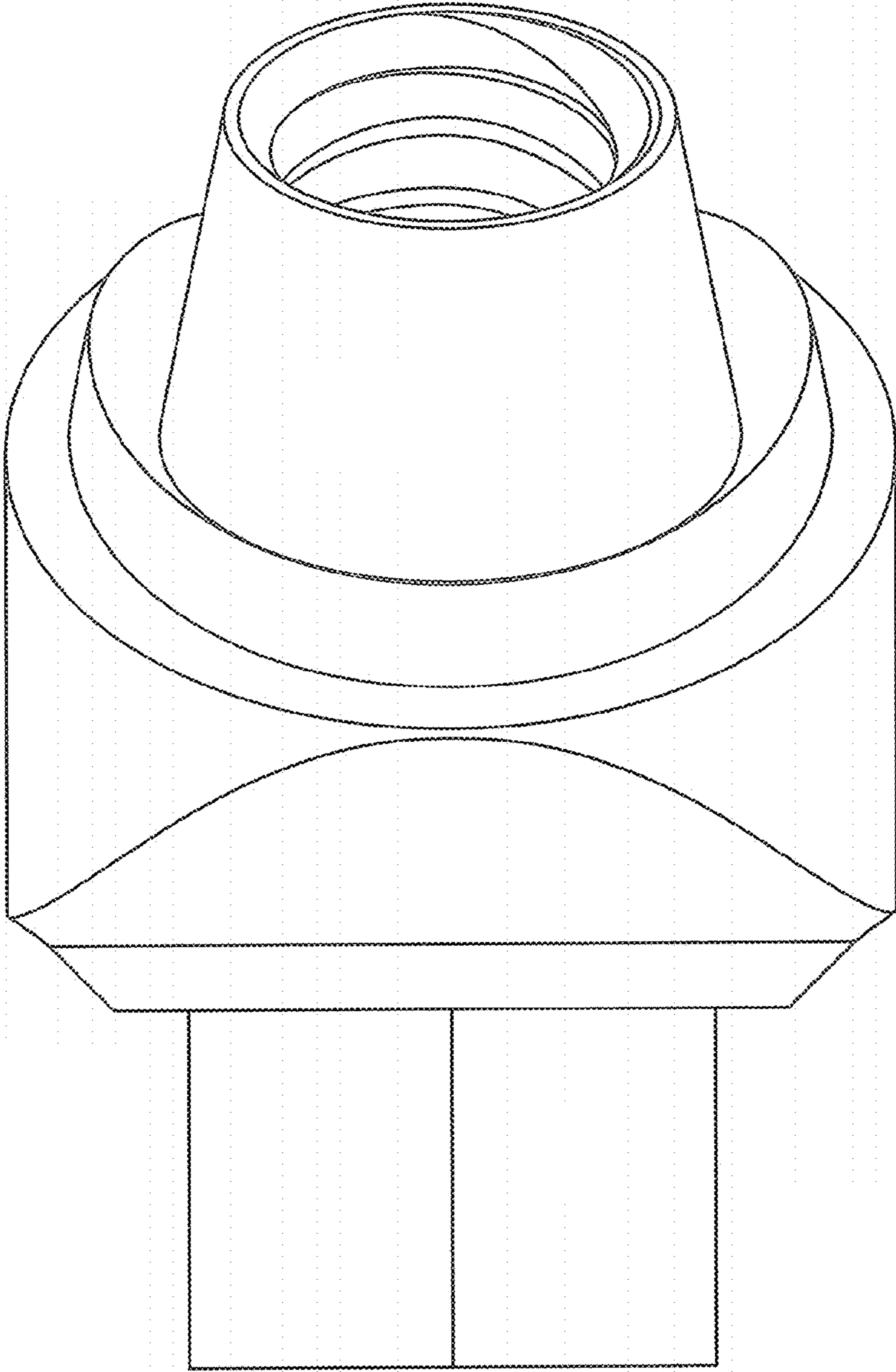


FIG. 5

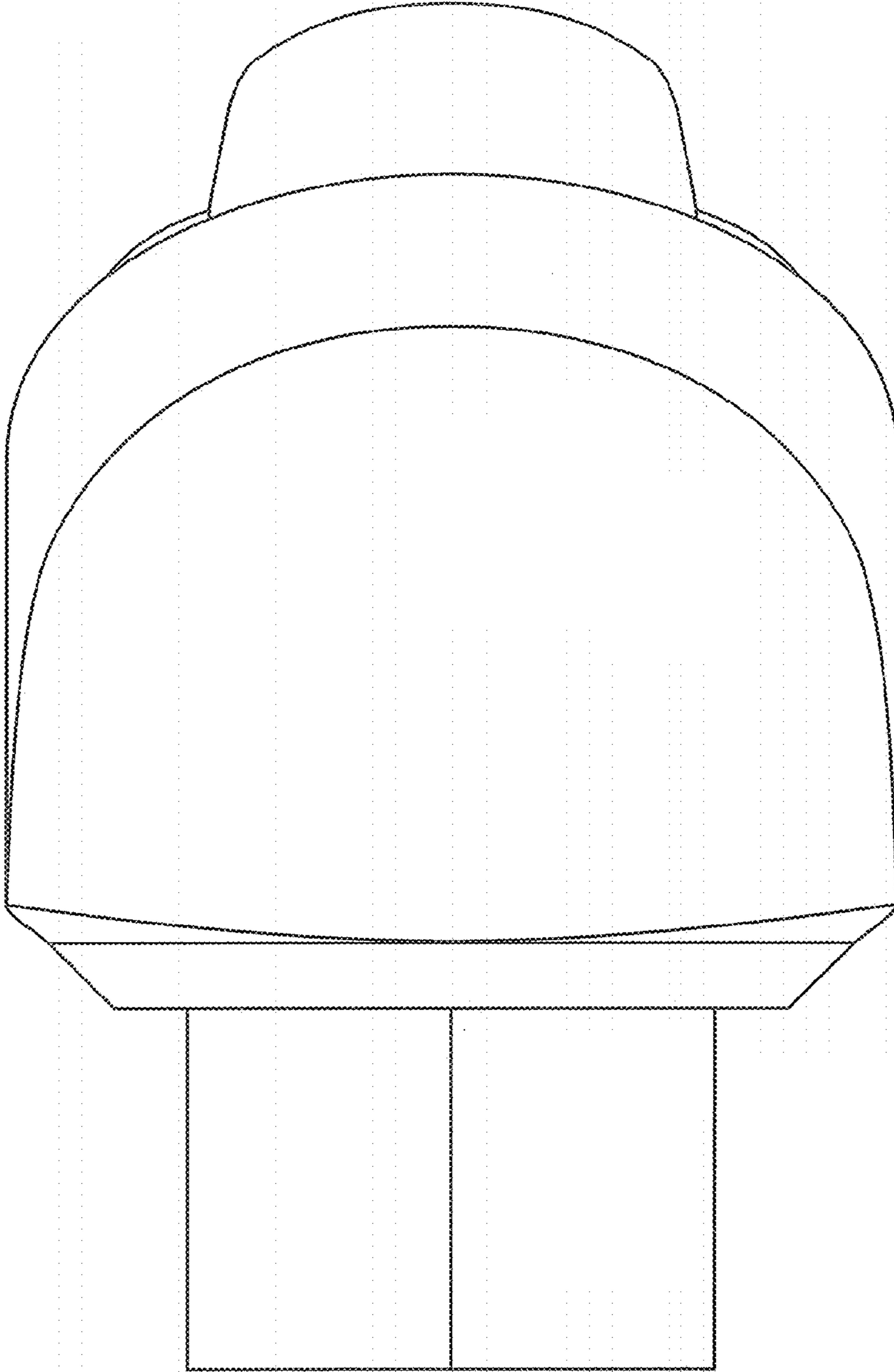


FIG. 6

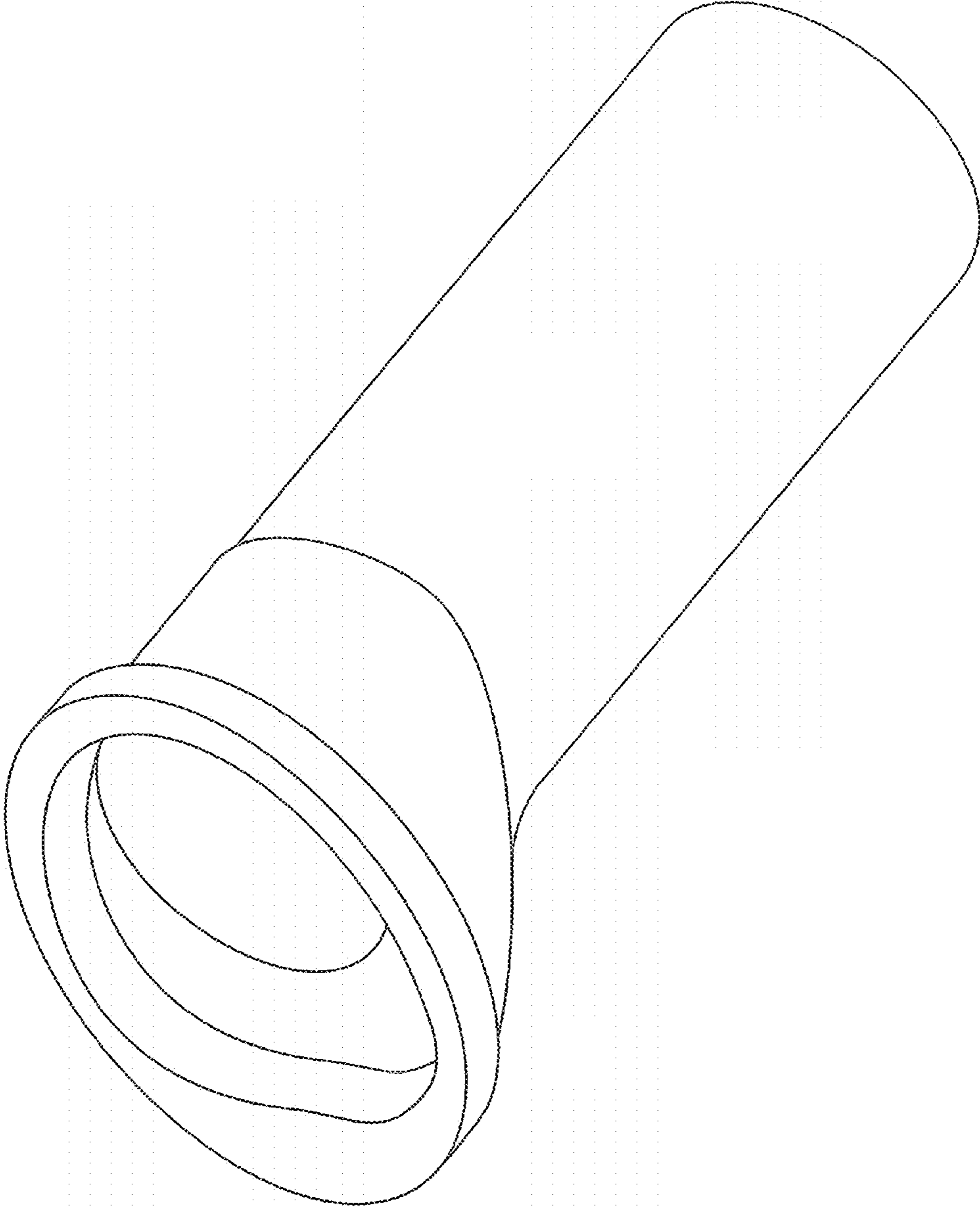


FIG. 7

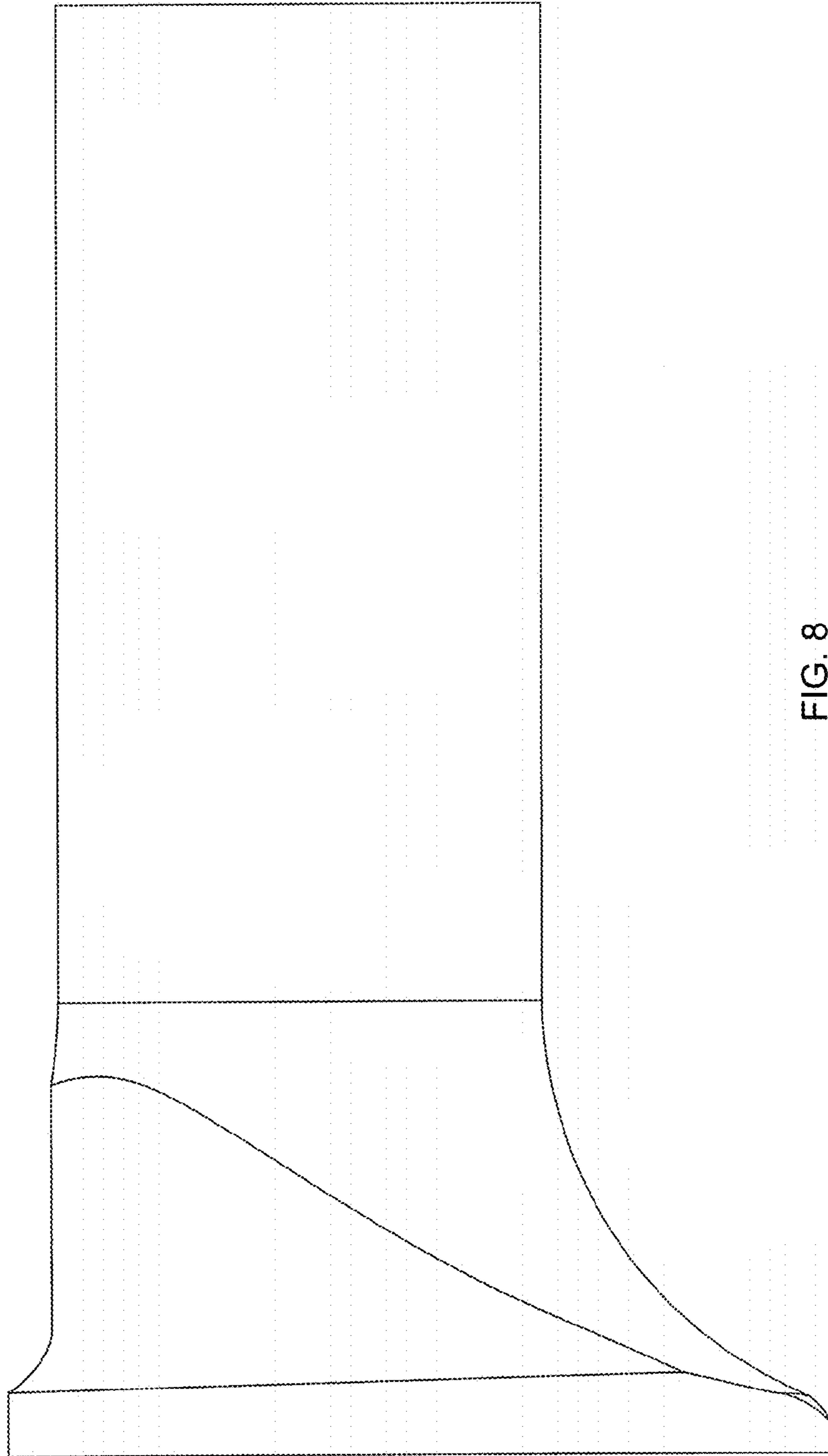


FIG. 8

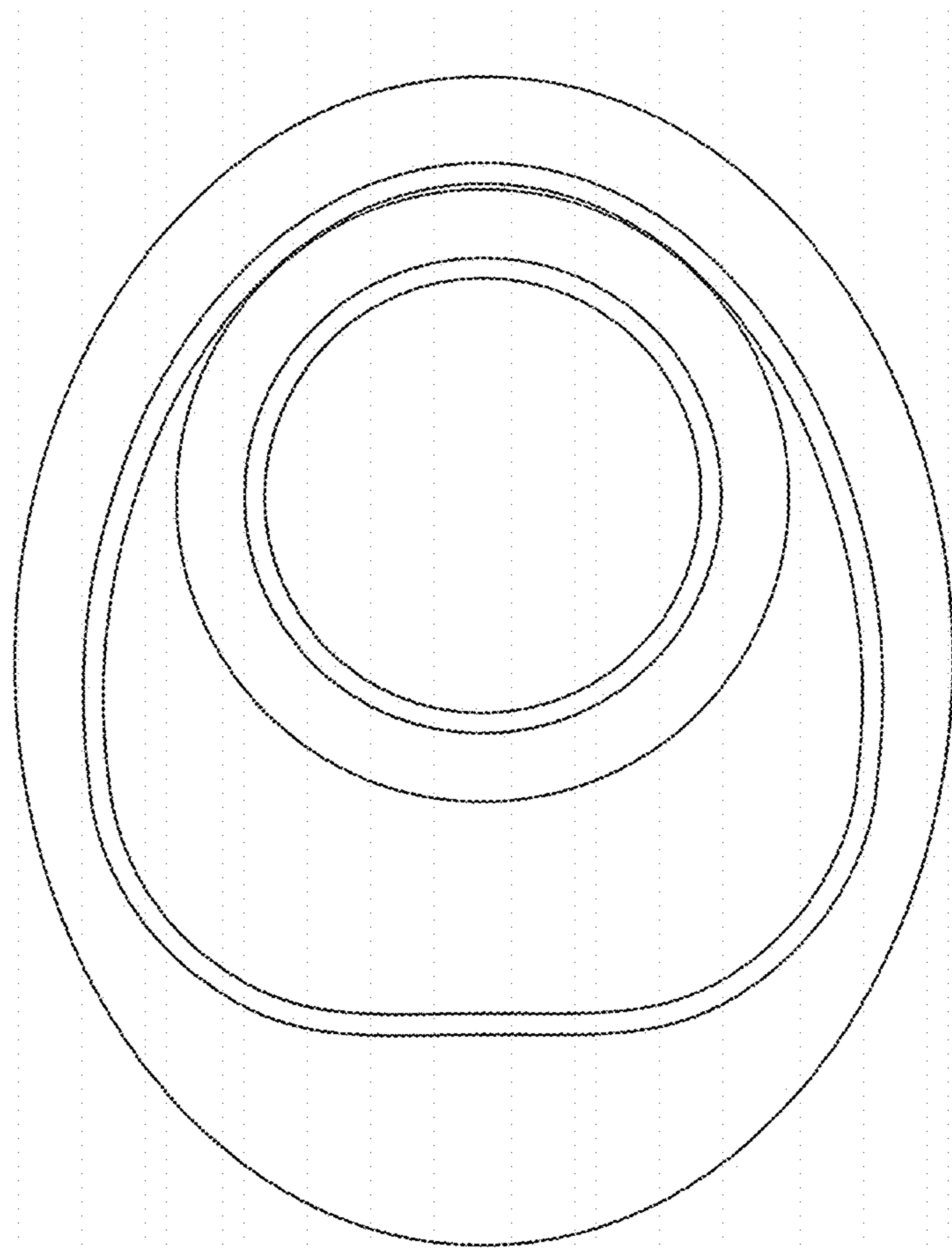


FIG. 9

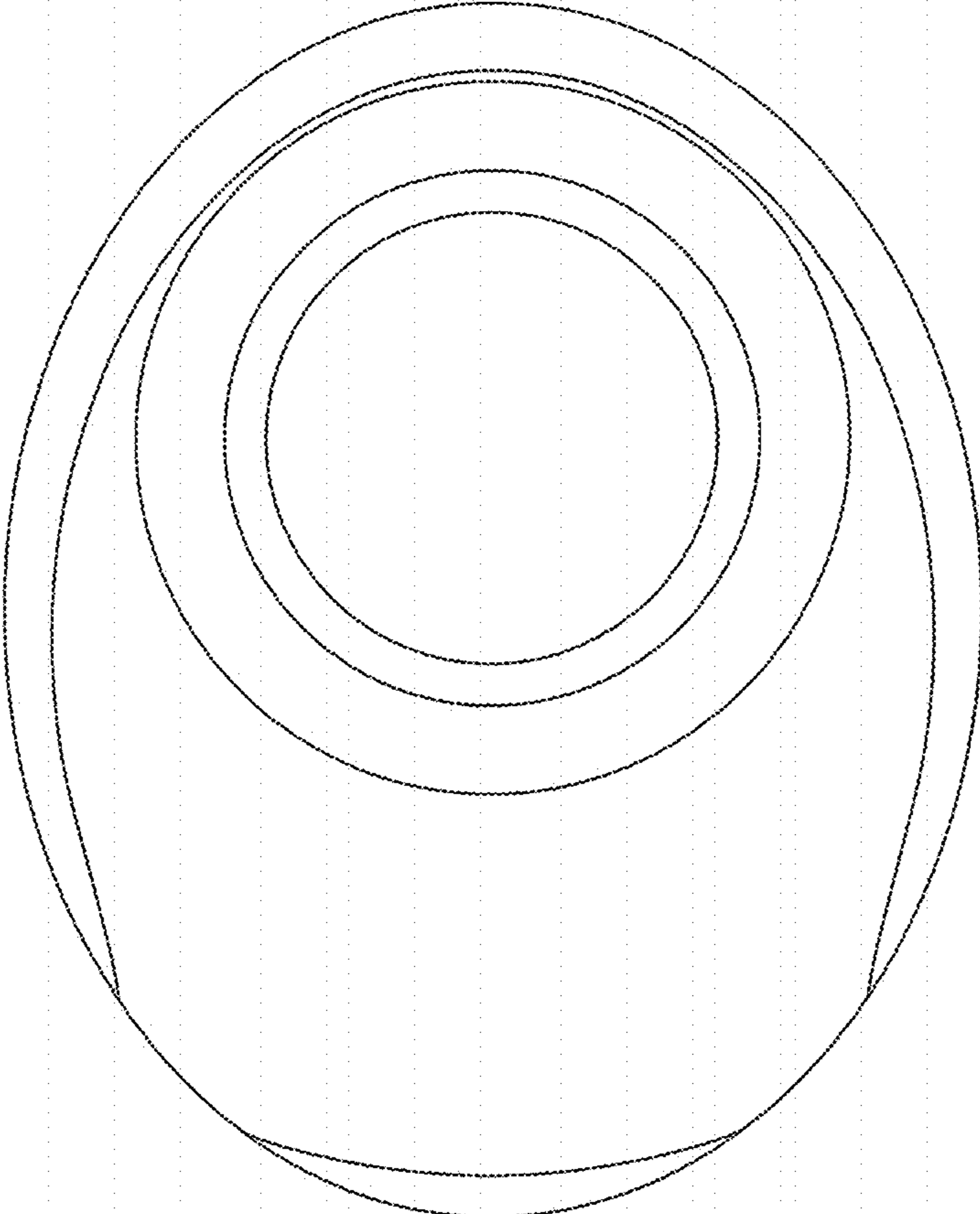


FIG. 10

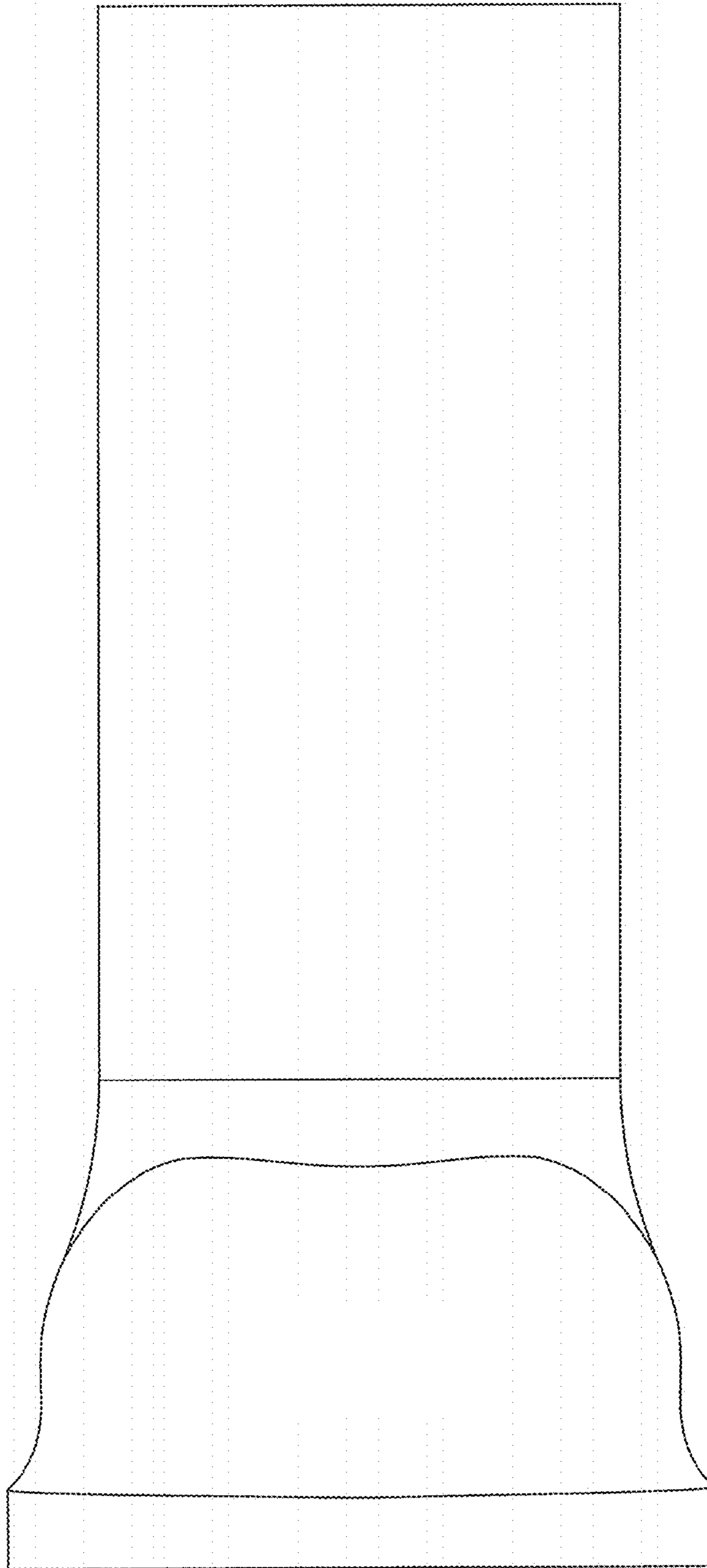


FIG. 11

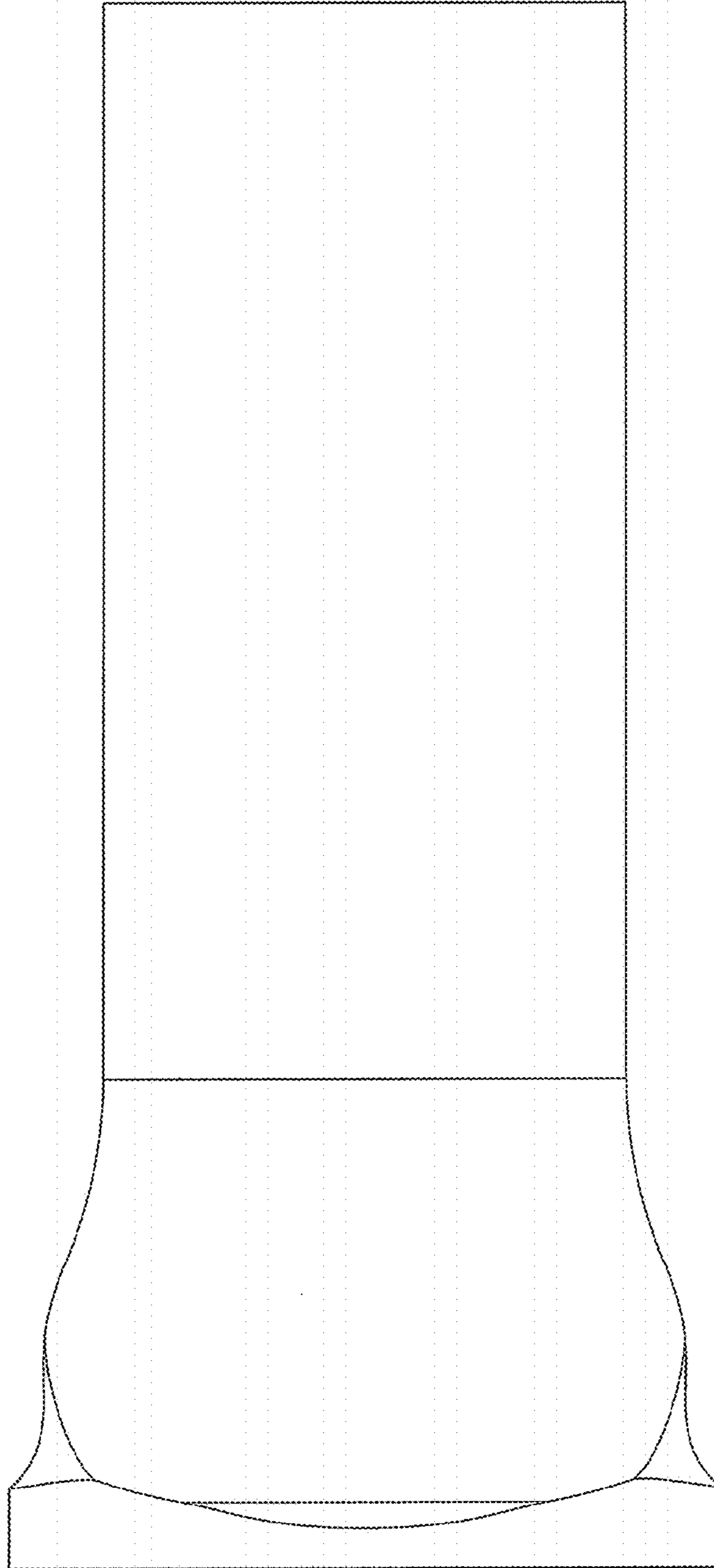


FIG. 12

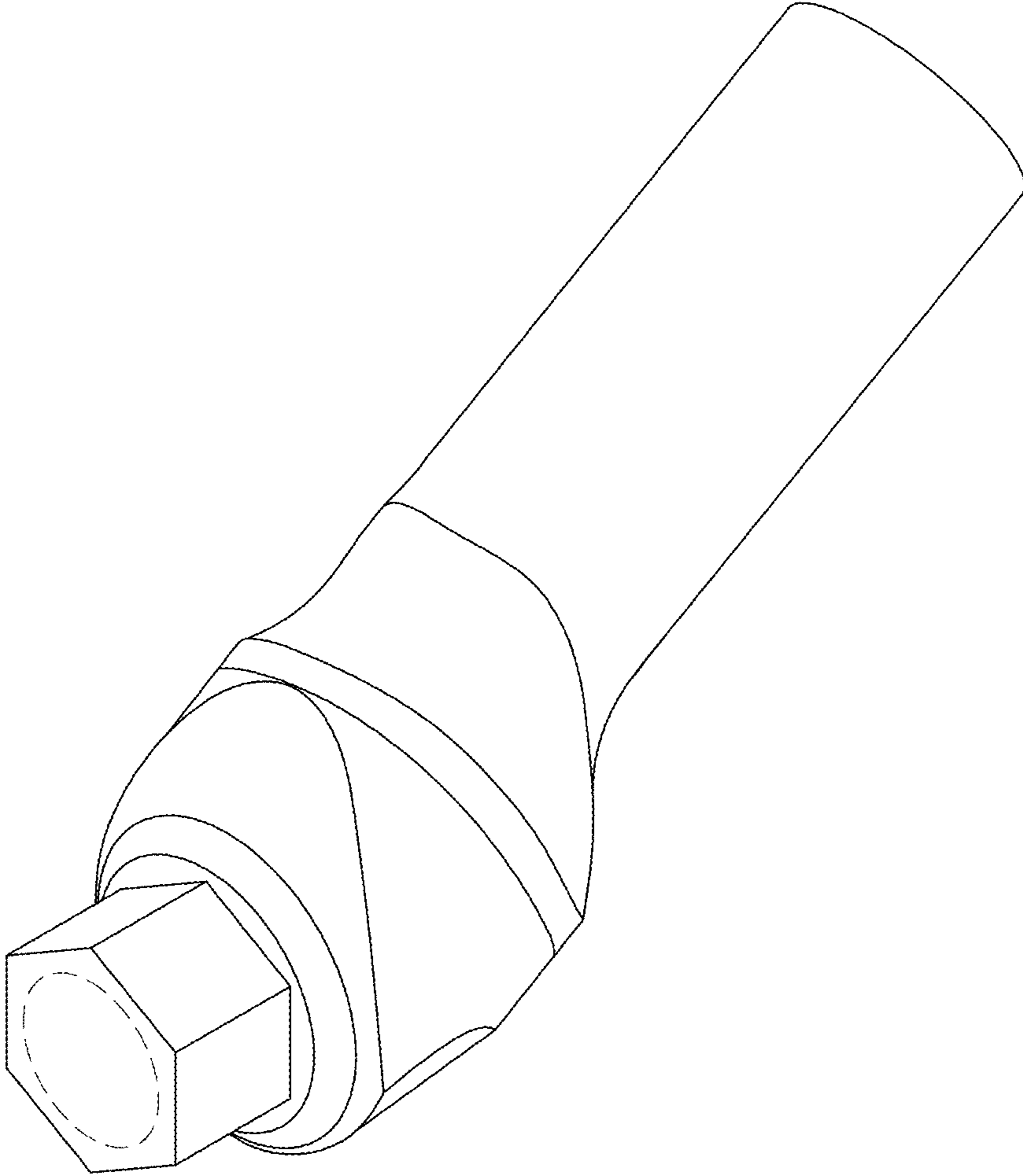


FIG.13

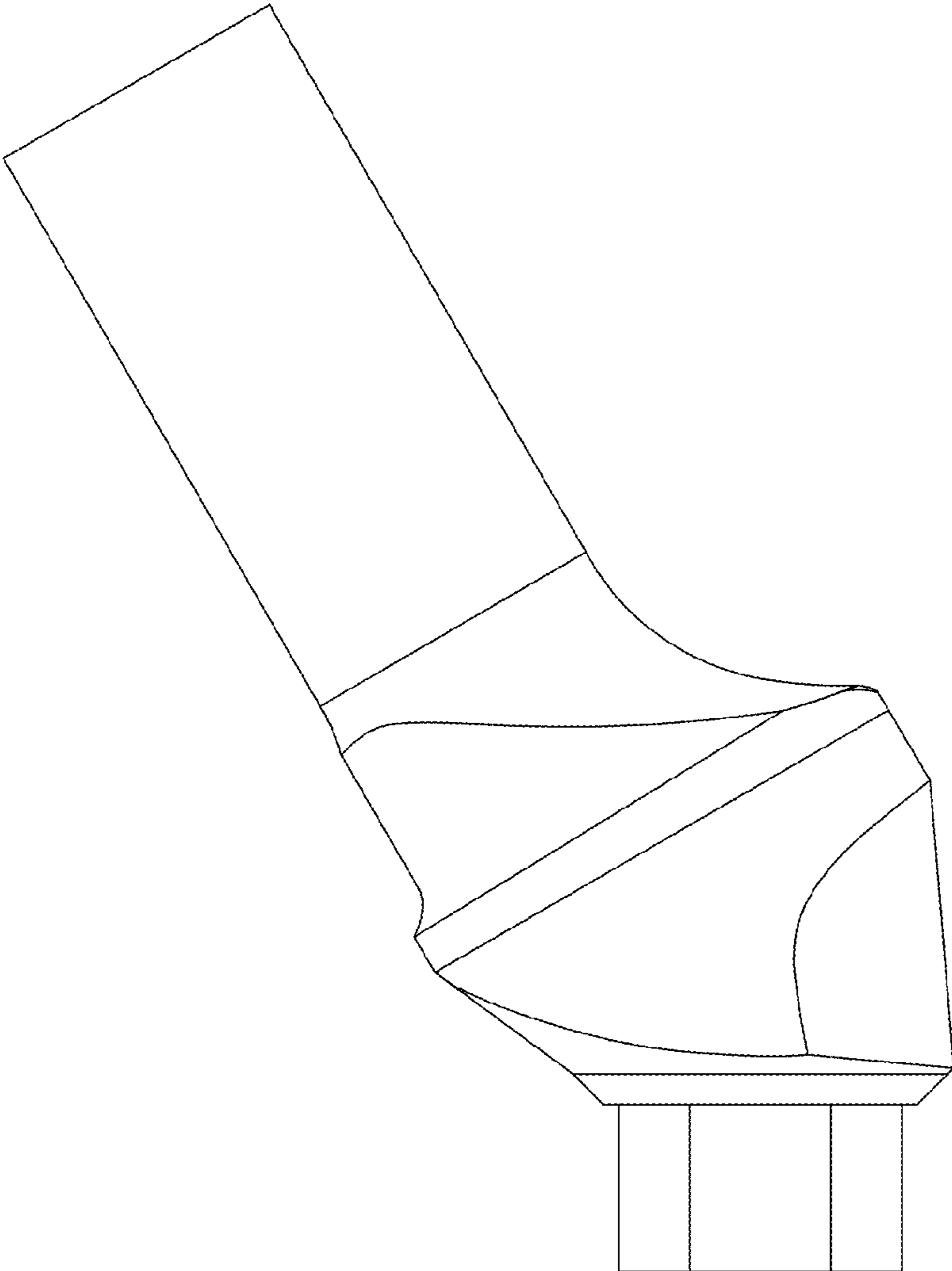


FIG.14

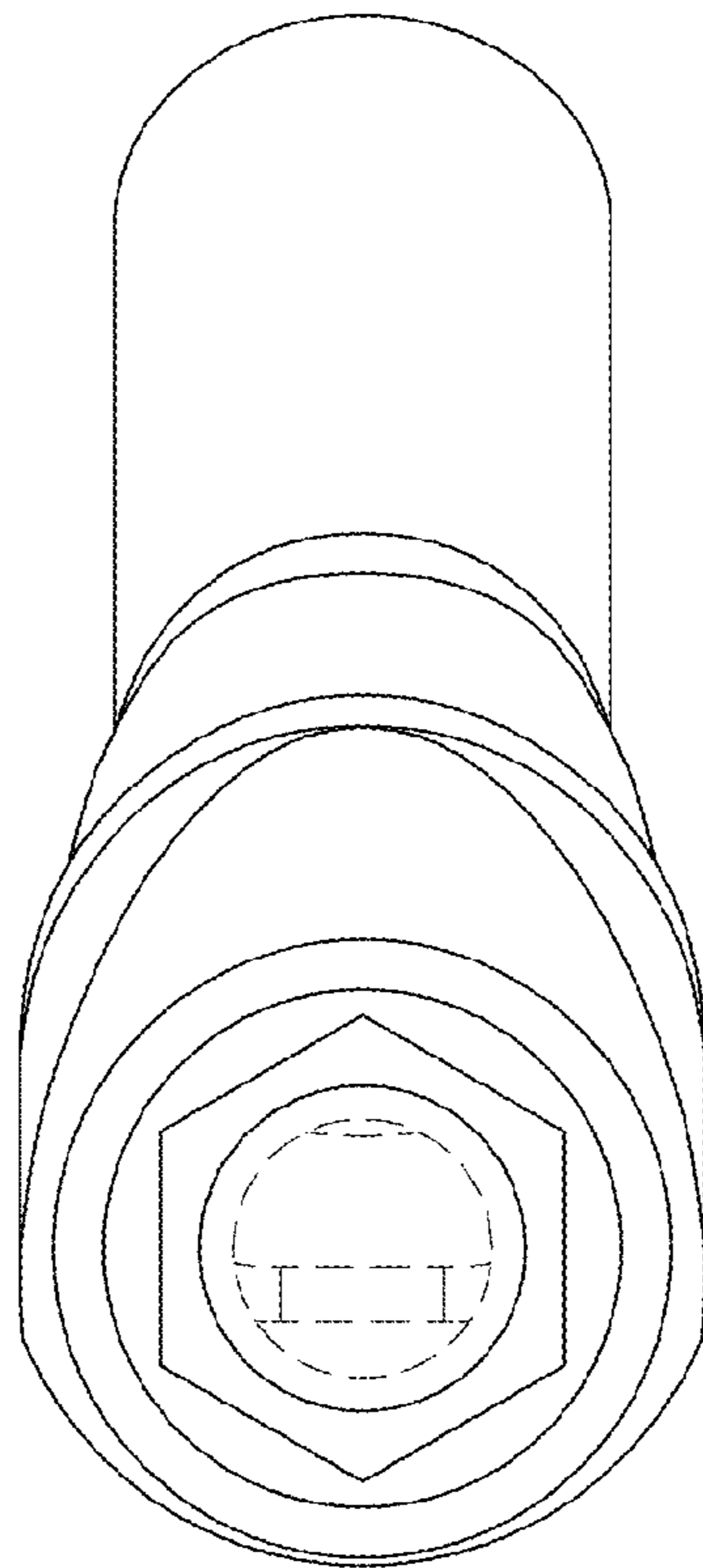


FIG.15

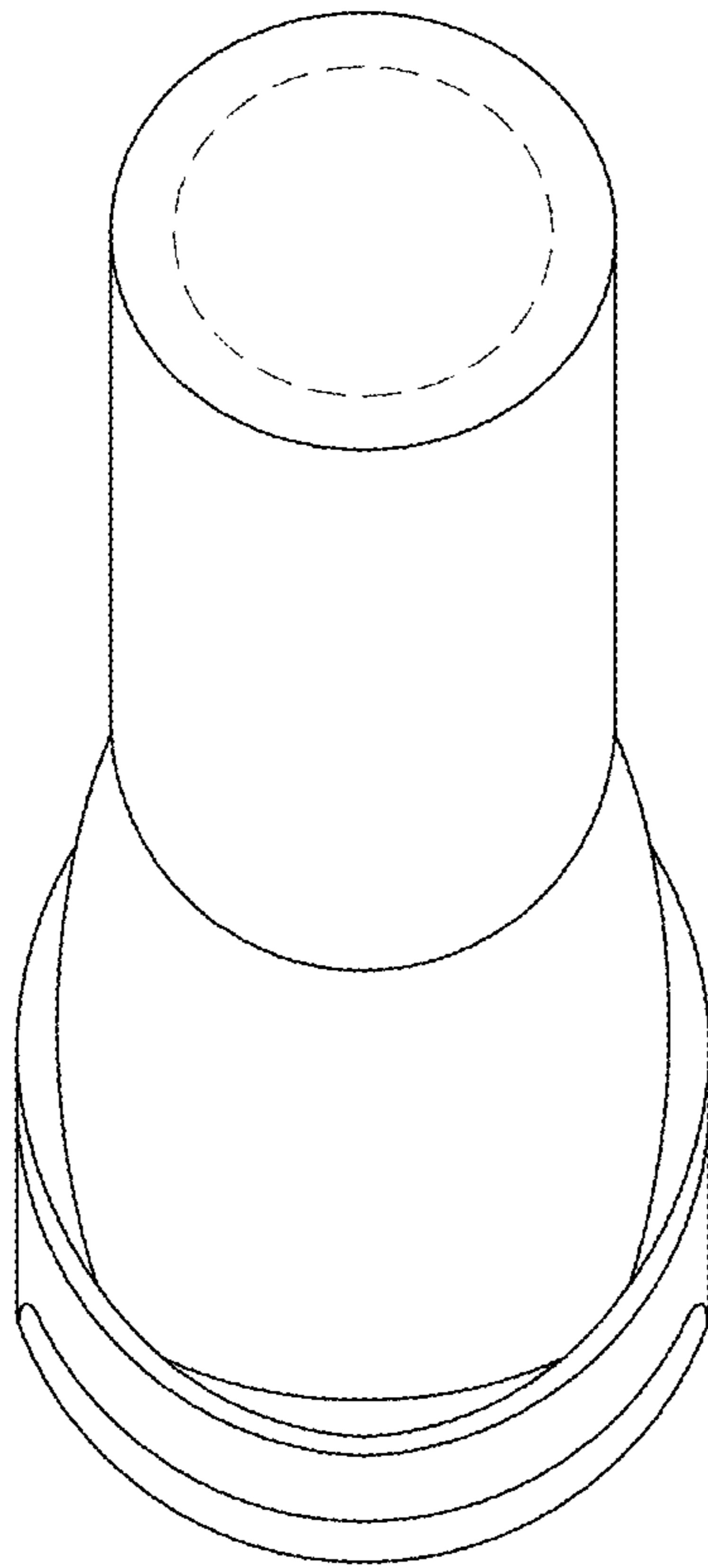


FIG.16

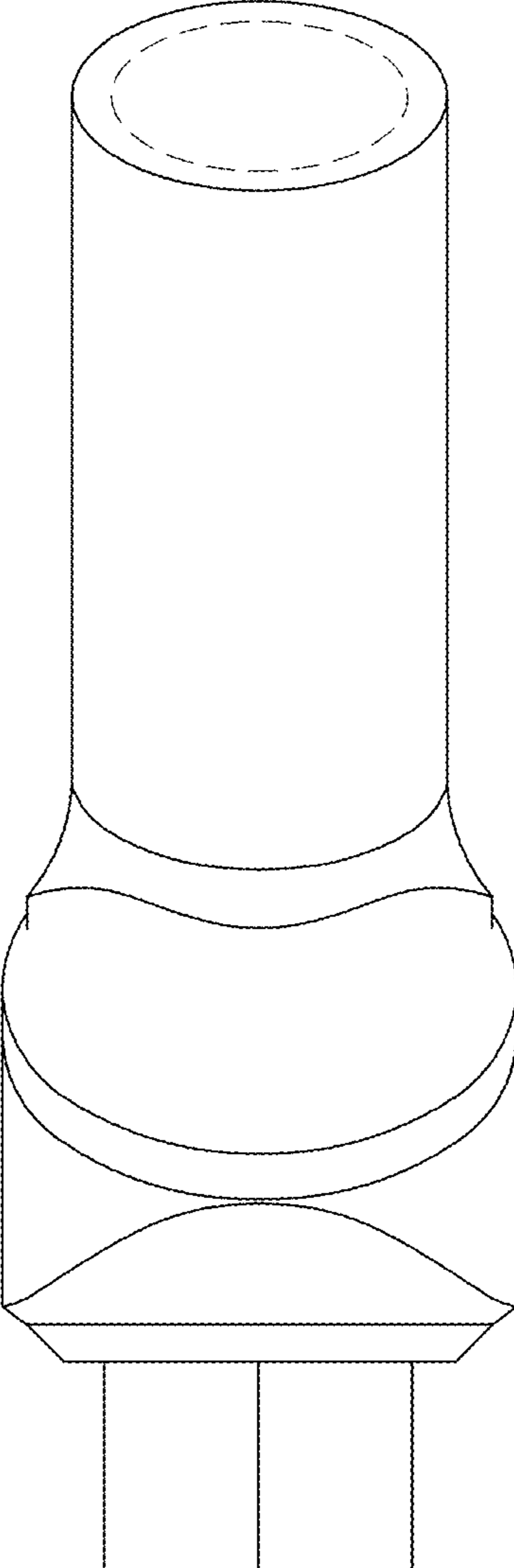


FIG.17

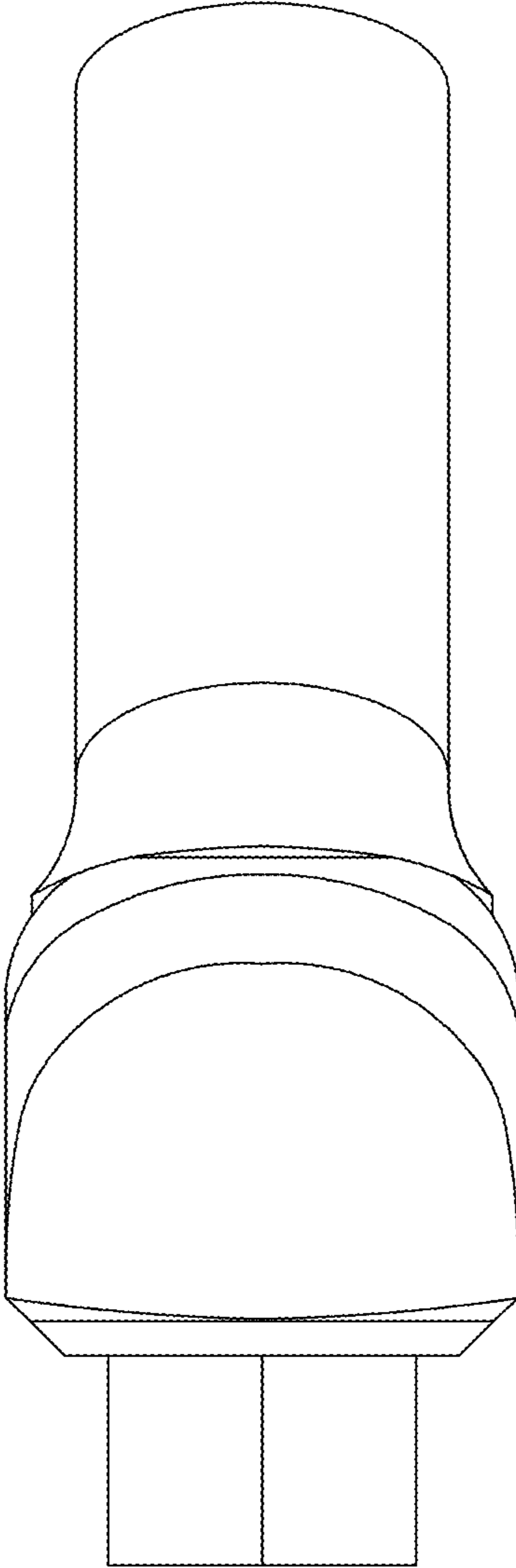


FIG.18

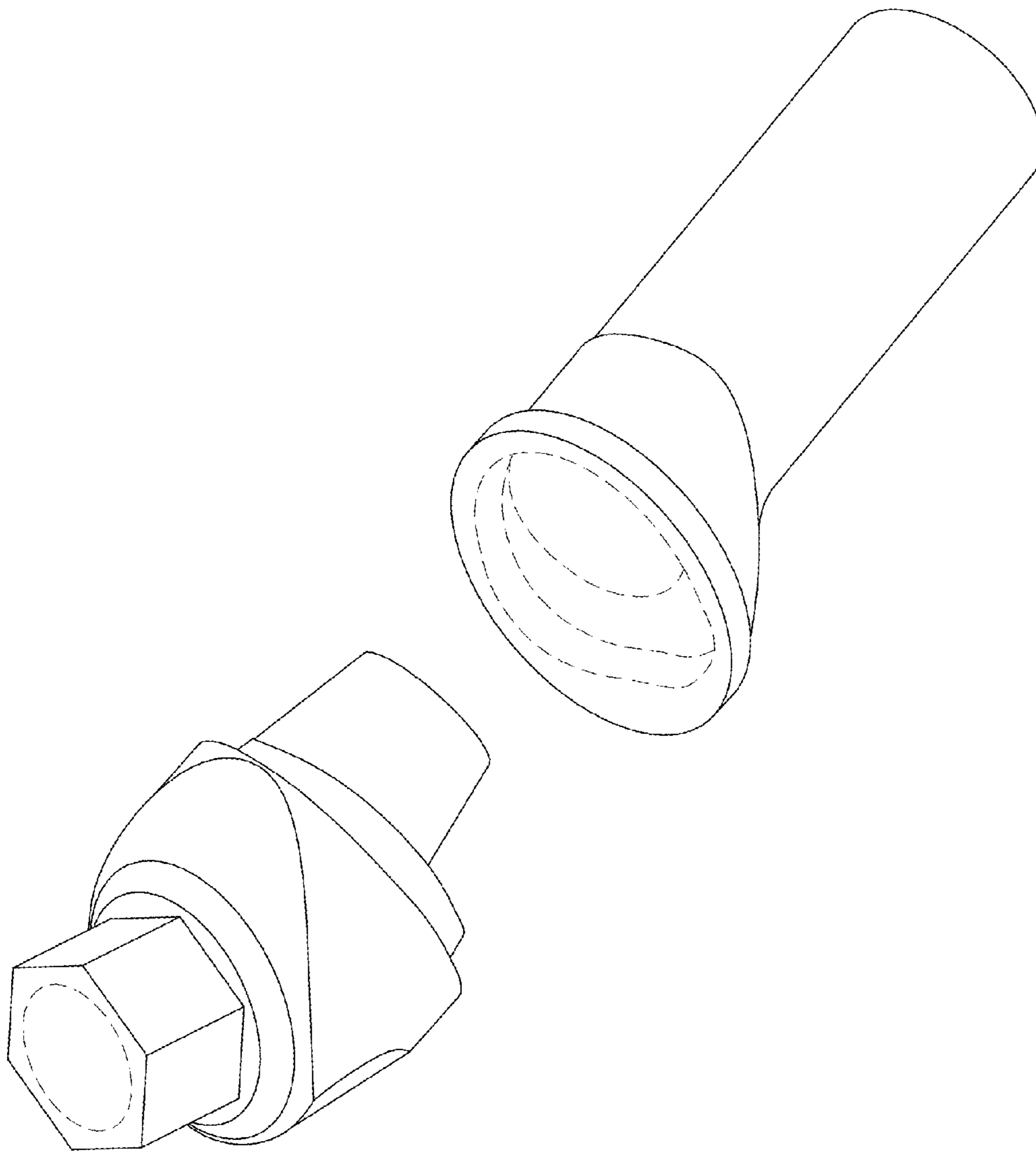


FIG.19

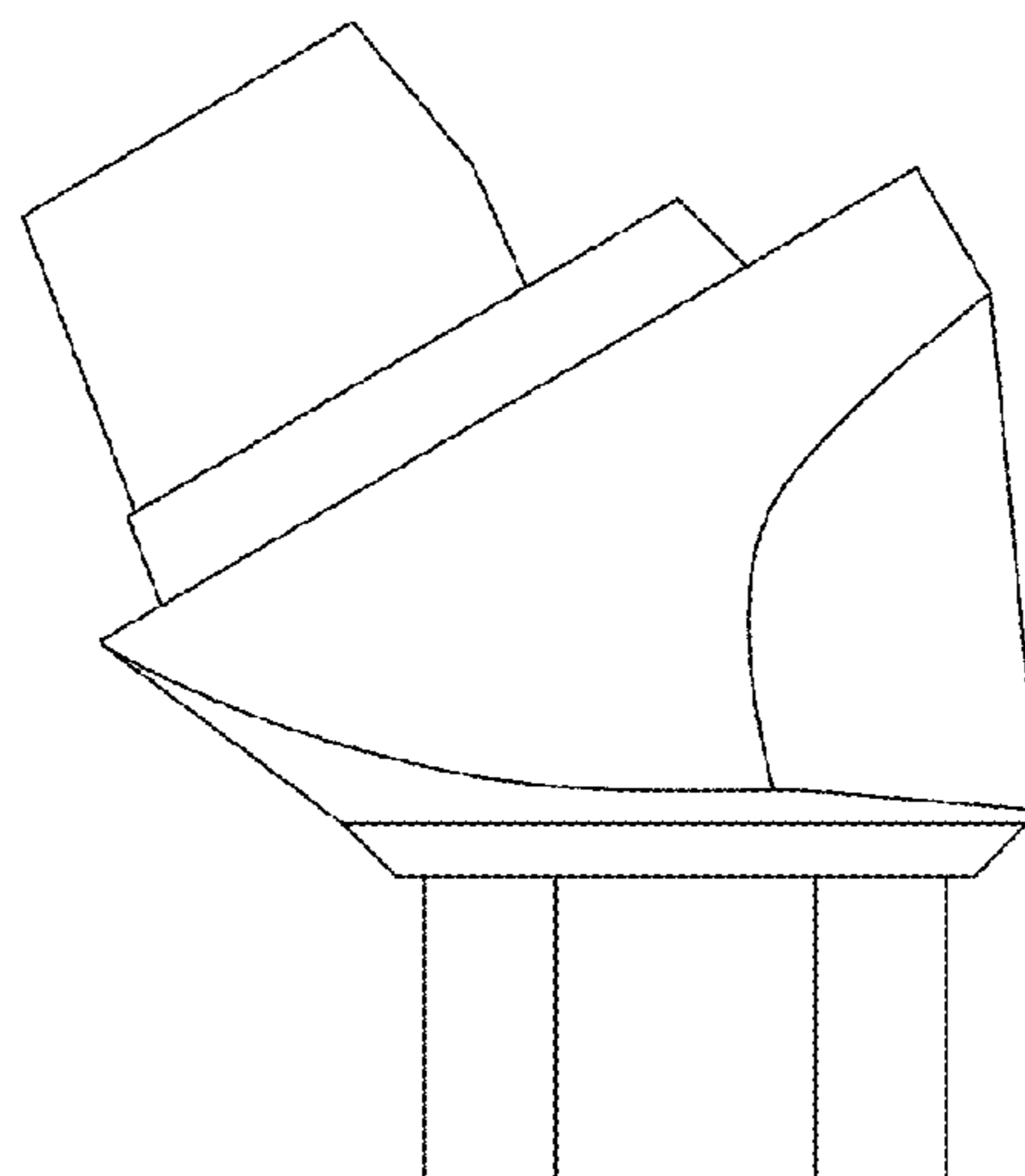
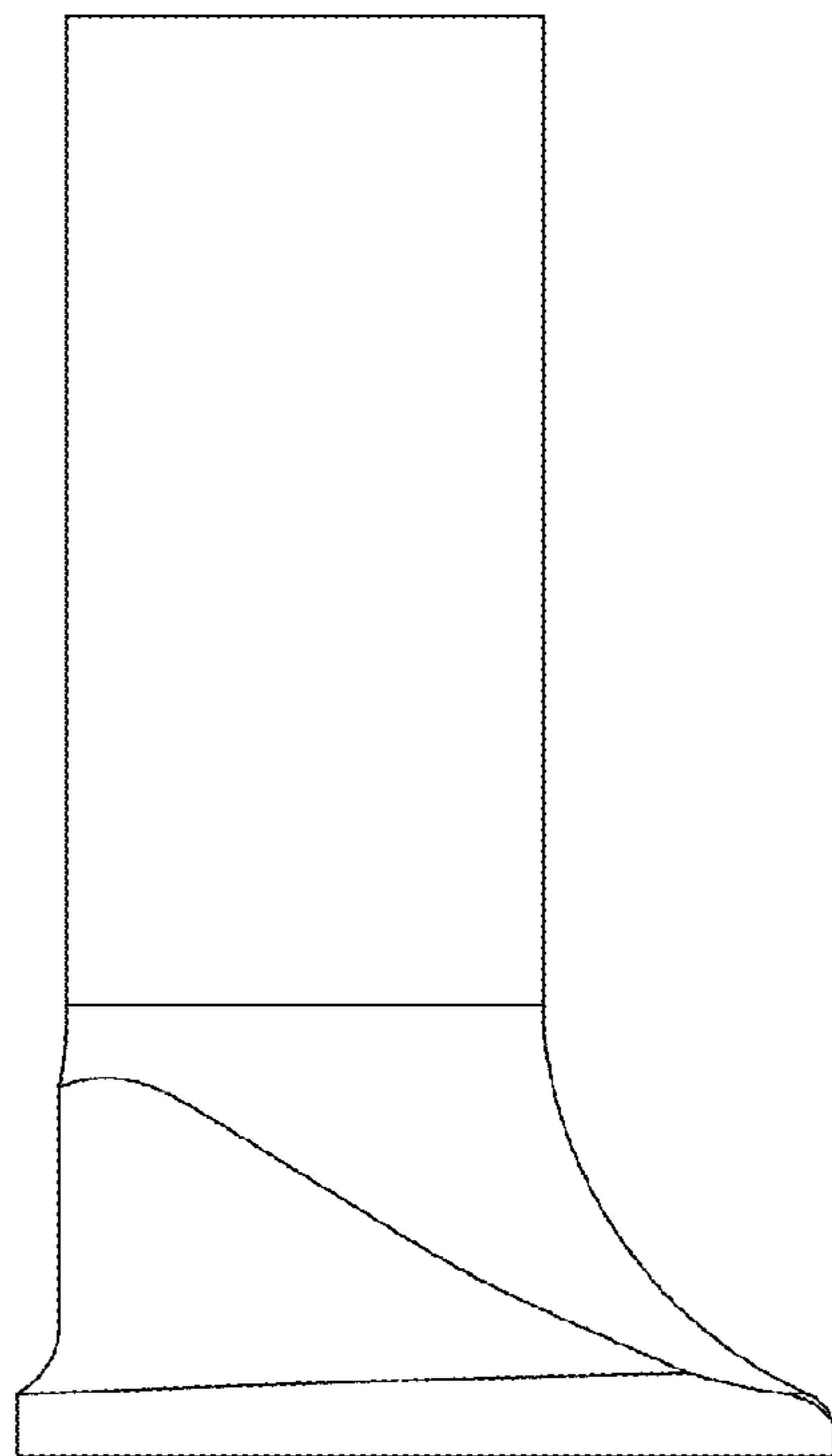


FIG.20

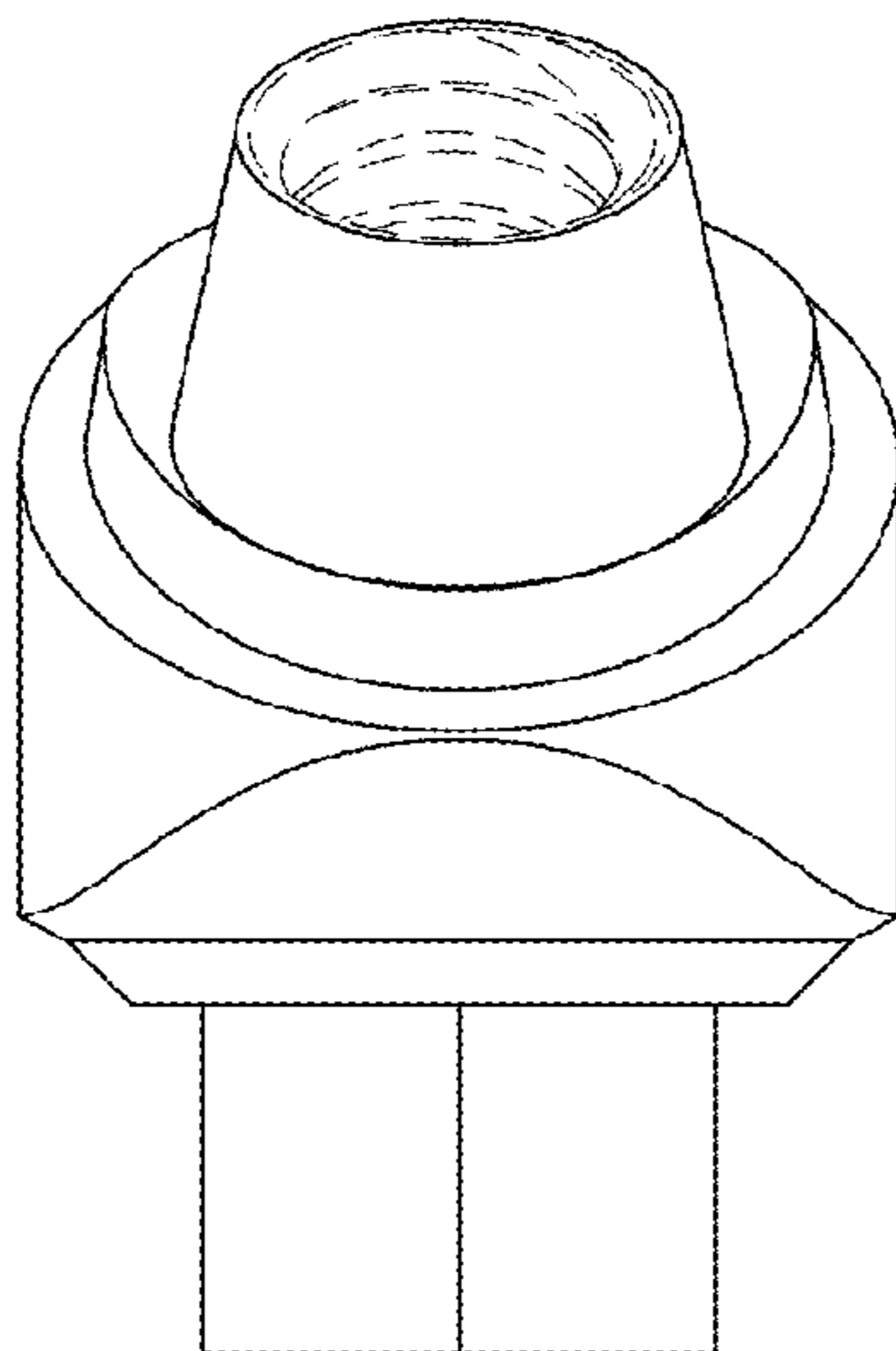
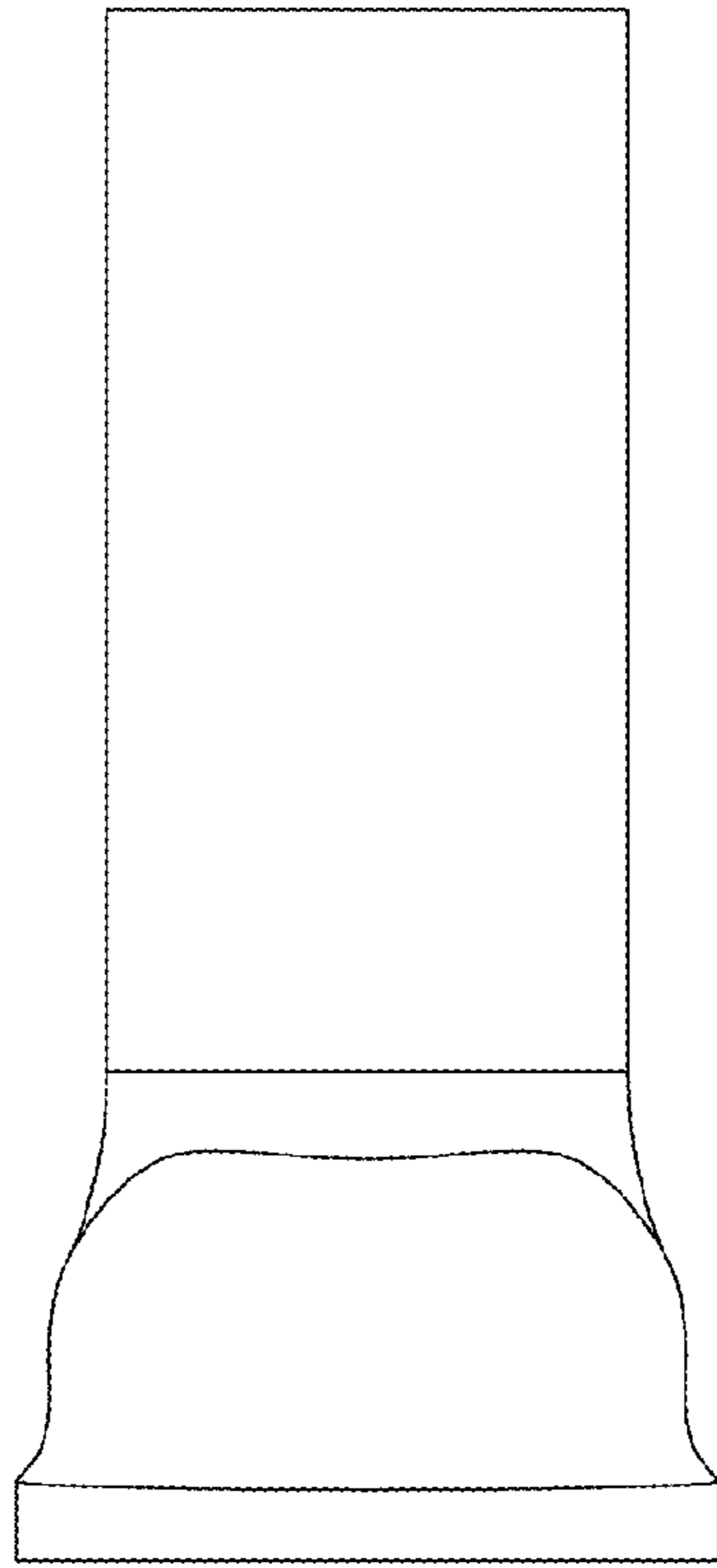


FIG.21

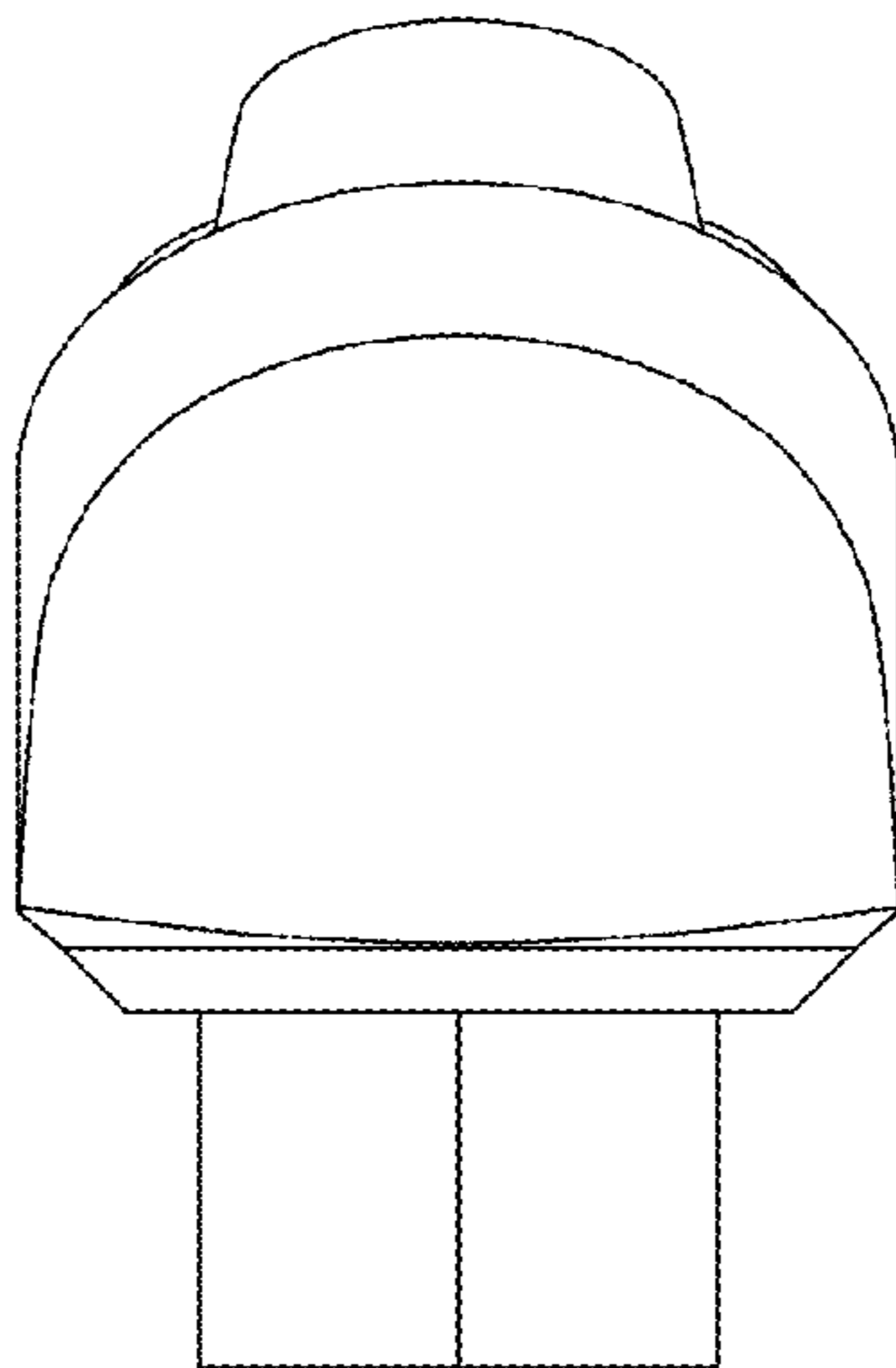
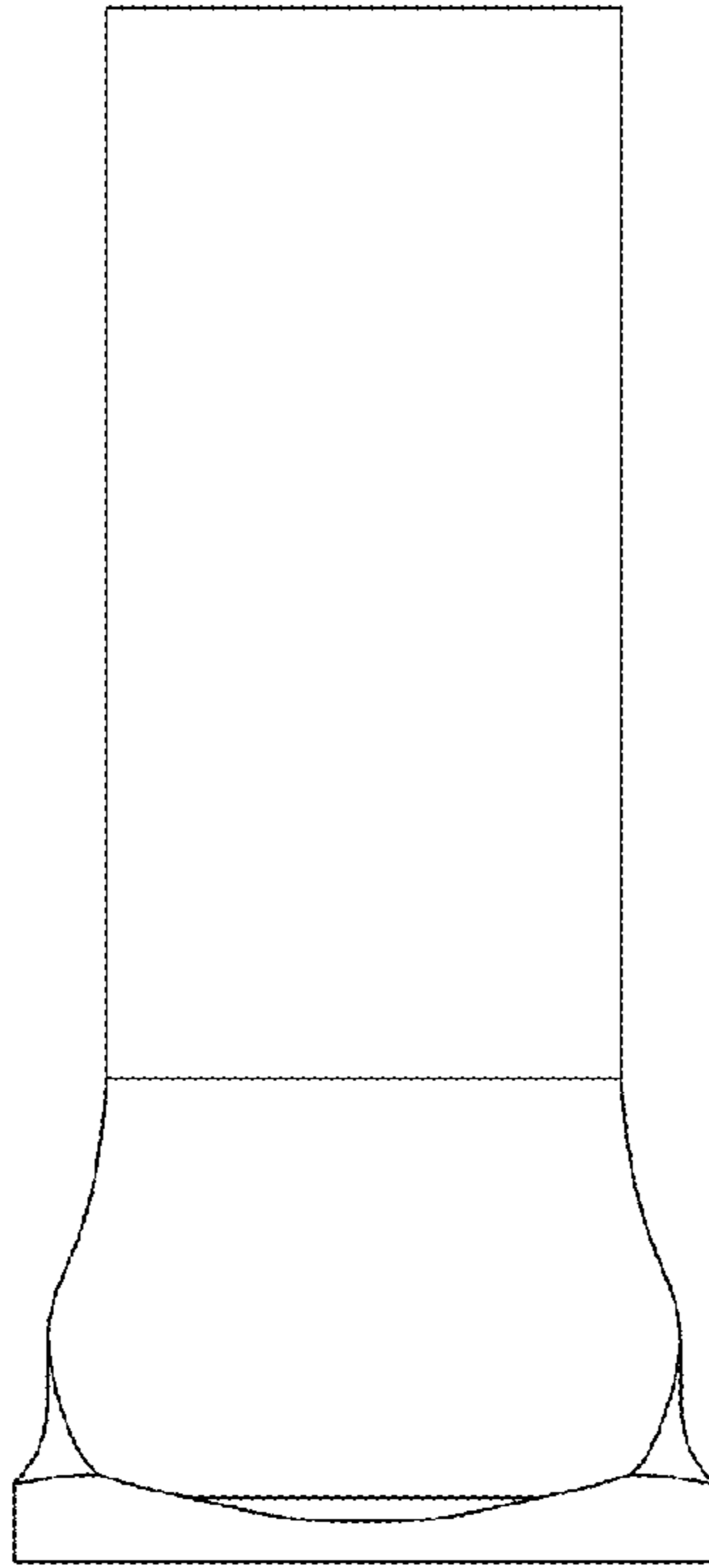


FIG.22