



US00D767761S

(12) **United States Design Patent** (10) **Patent No.:** **US D767,761 S**
Babb et al. (45) **Date of Patent:** **** *Sep. 27, 2016**

(54) **PENILE CLAMP**
(71) Applicants: **Steven J. Babb**, Seminole, FL (US);
David R. J. Keith, Pinellas Park, FL (US); **Gary L. Damkoehler**, Gulfport, FL (US); **John A. DeBella**, Clearwater, FL (US)
(72) Inventors: **Steven J. Babb**, Seminole, FL (US);
David R. J. Keith, Pinellas Park, FL (US); **Gary L. Damkoehler**, Gulfport, FL (US); **John A. DeBella**, Clearwater, FL (US)

(73) Assignee: **BioDerm, Inc.**, Largo, FL (US)

(*) Notice: This patent is subject to a terminal disclaimer.

(**) Term: **14 Years**

(21) Appl. No.: **29/496,940**

(22) Filed: **Jul. 18, 2014**

(51) **LOC (10) Cl.** **24-02**

(52) **U.S. Cl.**
USPC **D24/143**

(58) **Field of Classification Search**
USPC D24/143, 128, 133; D8/390, 395;
24/499, 536, 508, 557, 562;
128/DIG. 25, 885; 606/157
CPC .. A61B 17/122; A61F 2/0054; Y10S 128/25
See application file for complete search history.

(56) **References Cited**

U.S. PATENT DOCUMENTS

D299,168 S * 12/1988 Bergstrom et al. D24/143
4,880,016 A * 11/1989 Worth et al. 128/885

4,942,886 A * 7/1990 Timmons 128/885
5,423,831 A * 6/1995 Nates 606/120
5,571,125 A * 11/1996 Chadwick 606/157
6,131,576 A * 10/2000 Davis 128/885
D447,564 S * 9/2001 Stewart, Jr. D24/143
6,349,727 B1 * 2/2002 Stewart, Jr. 128/885
6,843,253 B2 * 1/2005 Parkes 128/885
6,904,916 B2 * 6/2005 Bakane 128/885
7,658,194 B2 * 2/2010 Anderson et al. 128/885
7,658,195 B2 * 2/2010 Dennis 128/885
D617,002 S * 6/2010 Lundkvist D24/227
D695,100 S * 12/2013 Whitaker et al. D8/396
9,004,545 B2 * 4/2015 Whitaker et al. 285/419
D731,055 S * 6/2015 Hyde et al. D24/143
2002/0111640 A1 * 8/2002 Krause et al. 606/151
2002/0153014 A1 * 10/2002 Cheng et al. 128/885
2004/0129277 A1 * 7/2004 Parkes 128/885
2008/0011310 A1 * 1/2008 Anderson et al. 128/885
2008/0121241 A1 * 5/2008 Dennis 128/885
2014/0041672 A1 * 2/2014 Garc a Berruezo 128/885

* cited by examiner

Primary Examiner — Wan Laymon
Assistant Examiner — Mark Booker

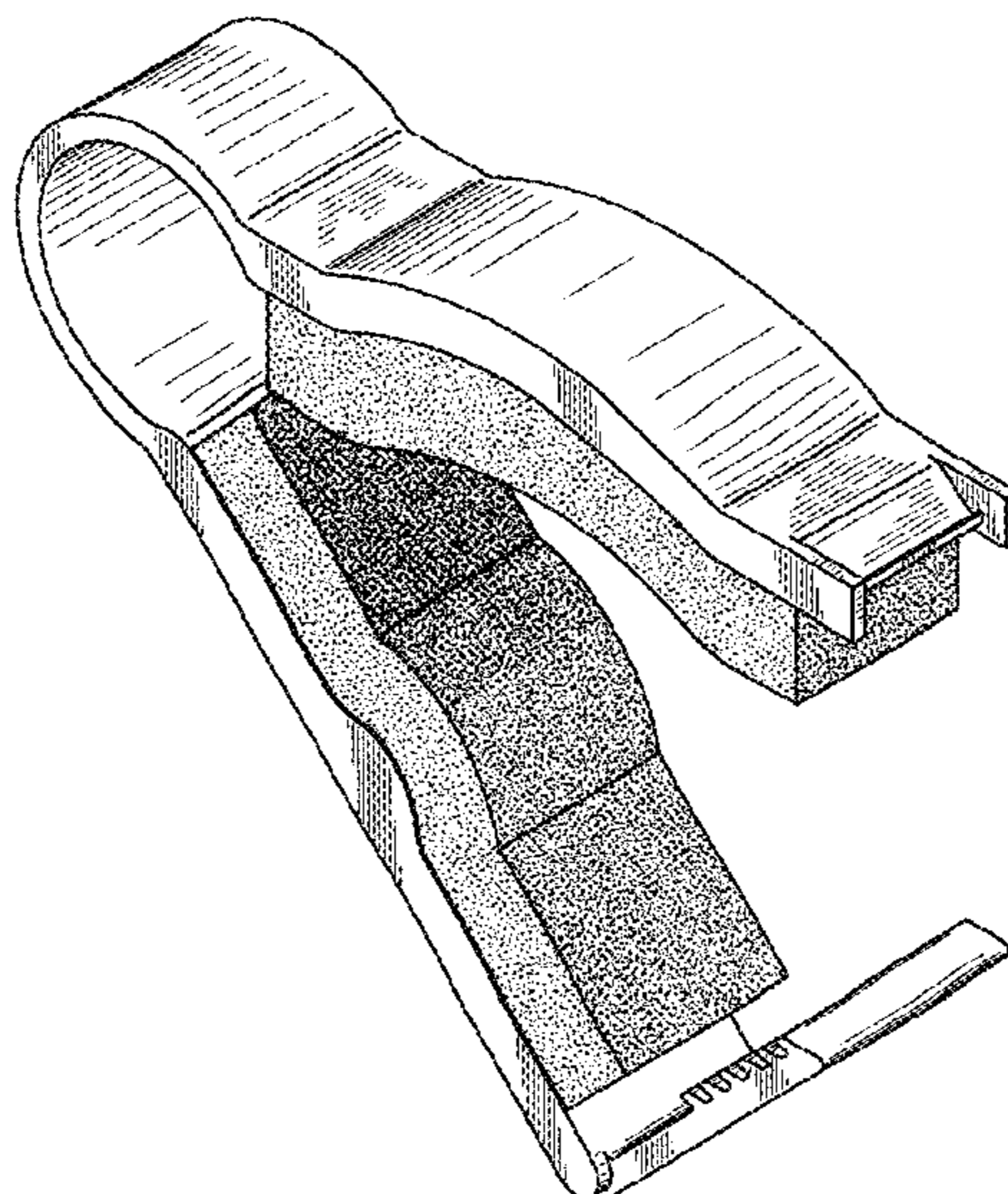
(57) **CLAIM**

We claim the ornamental design for a penile clamp, as shown.

DESCRIPTION

FIG. 1 is a perspective view of the penile clamp.
FIG. 2 is a top plan view of the penile clamp.
FIG. 3 is a left side elevational view of the penile clamp.
FIG. 4 is a right side elevational view of the penile clamp.
FIG. 5 is a bottom plan view of the penile clamp.
FIG. 6 is a rear elevational view of the penile clamp; and,
FIG. 7 is a front elevational view of the penile clamp.

1 Claim, 4 Drawing Sheets



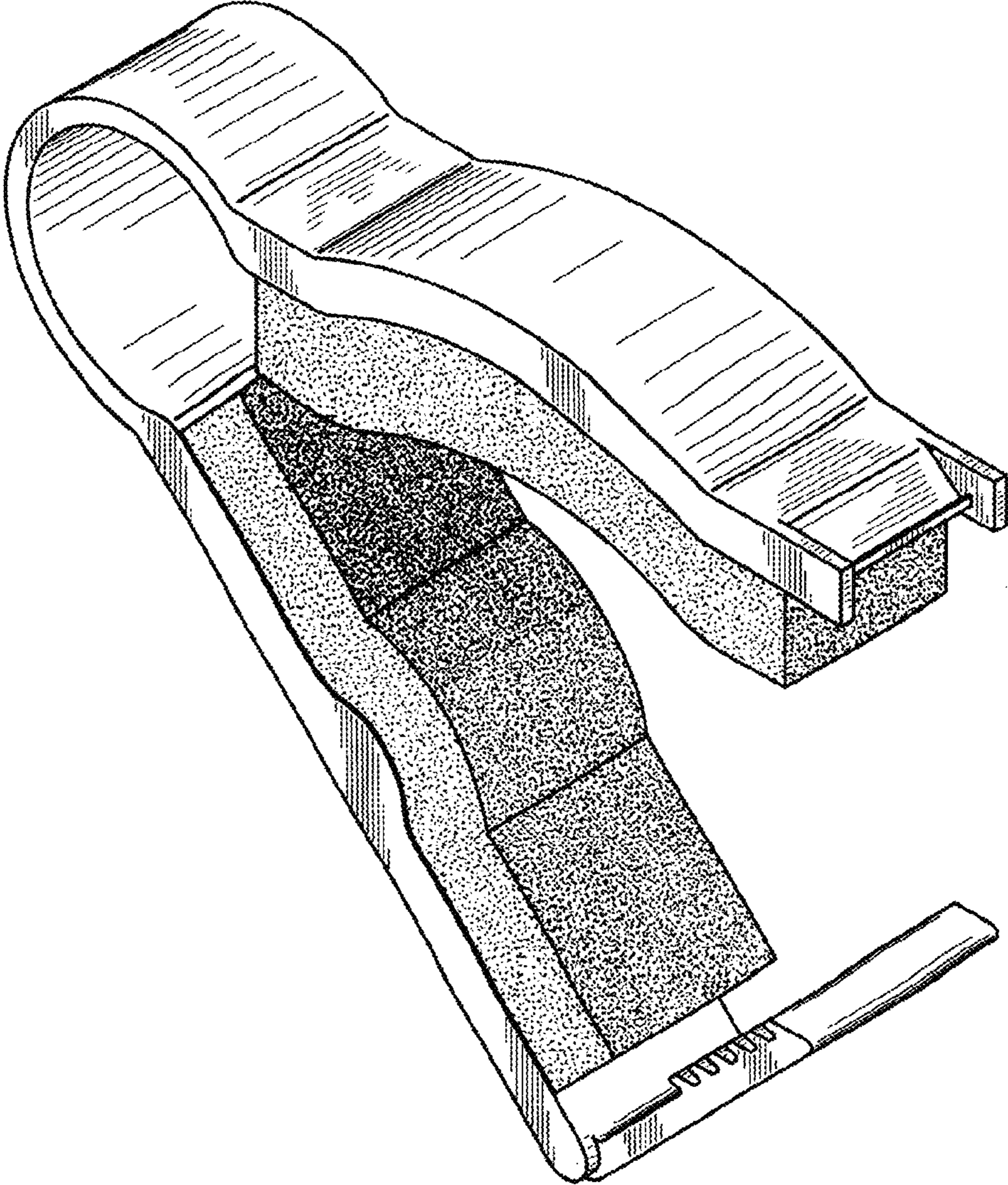


FIG. 1

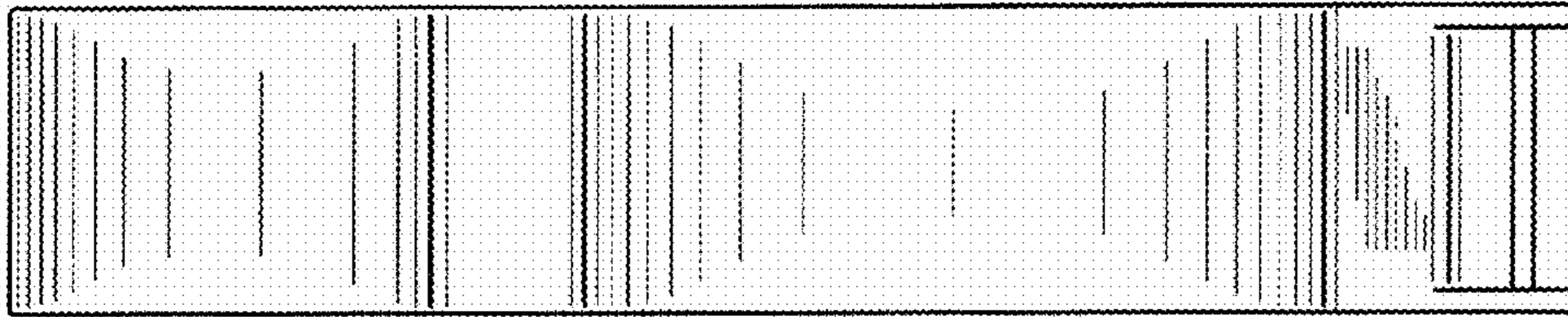


FIG. 2

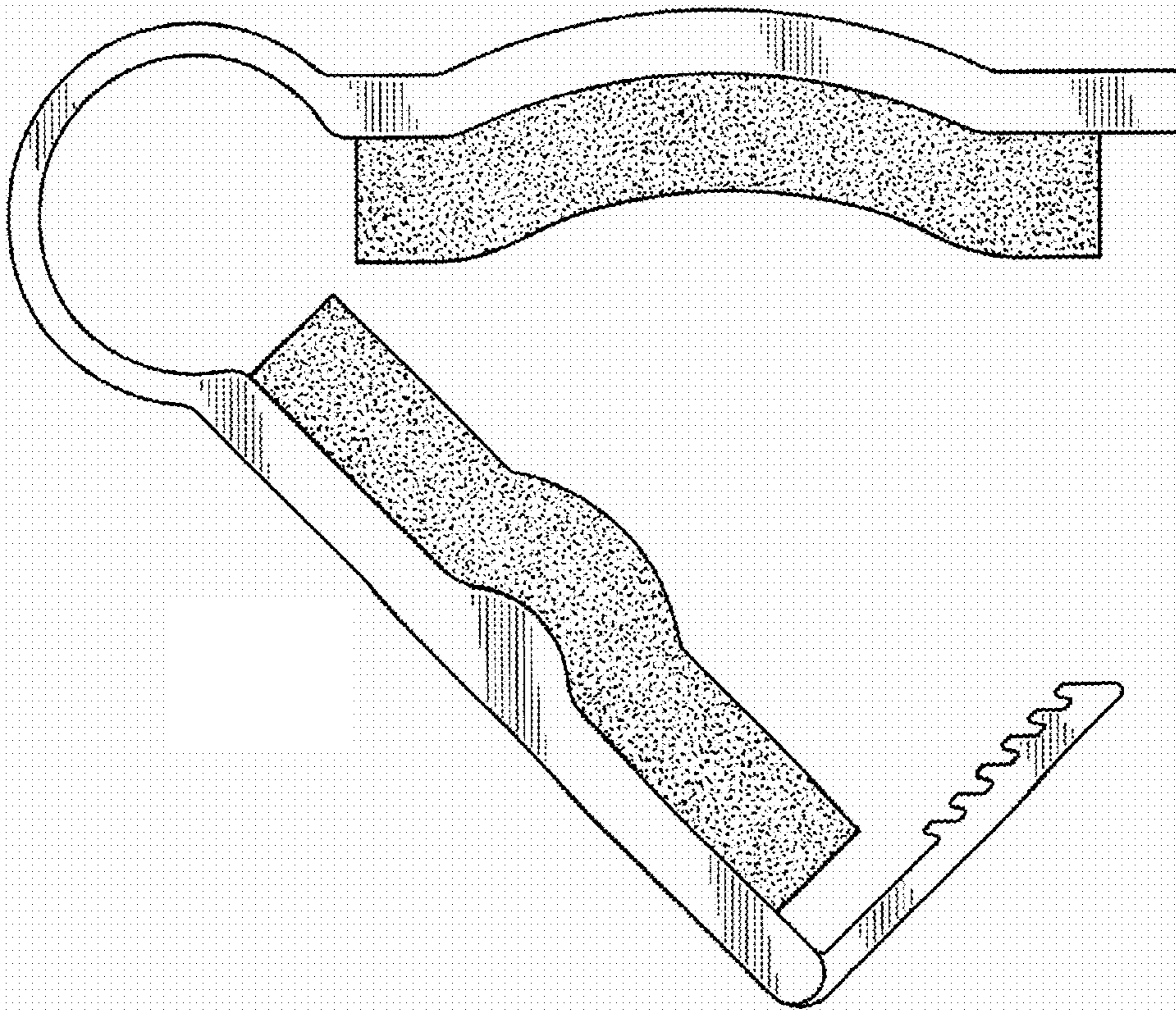


FIG. 3

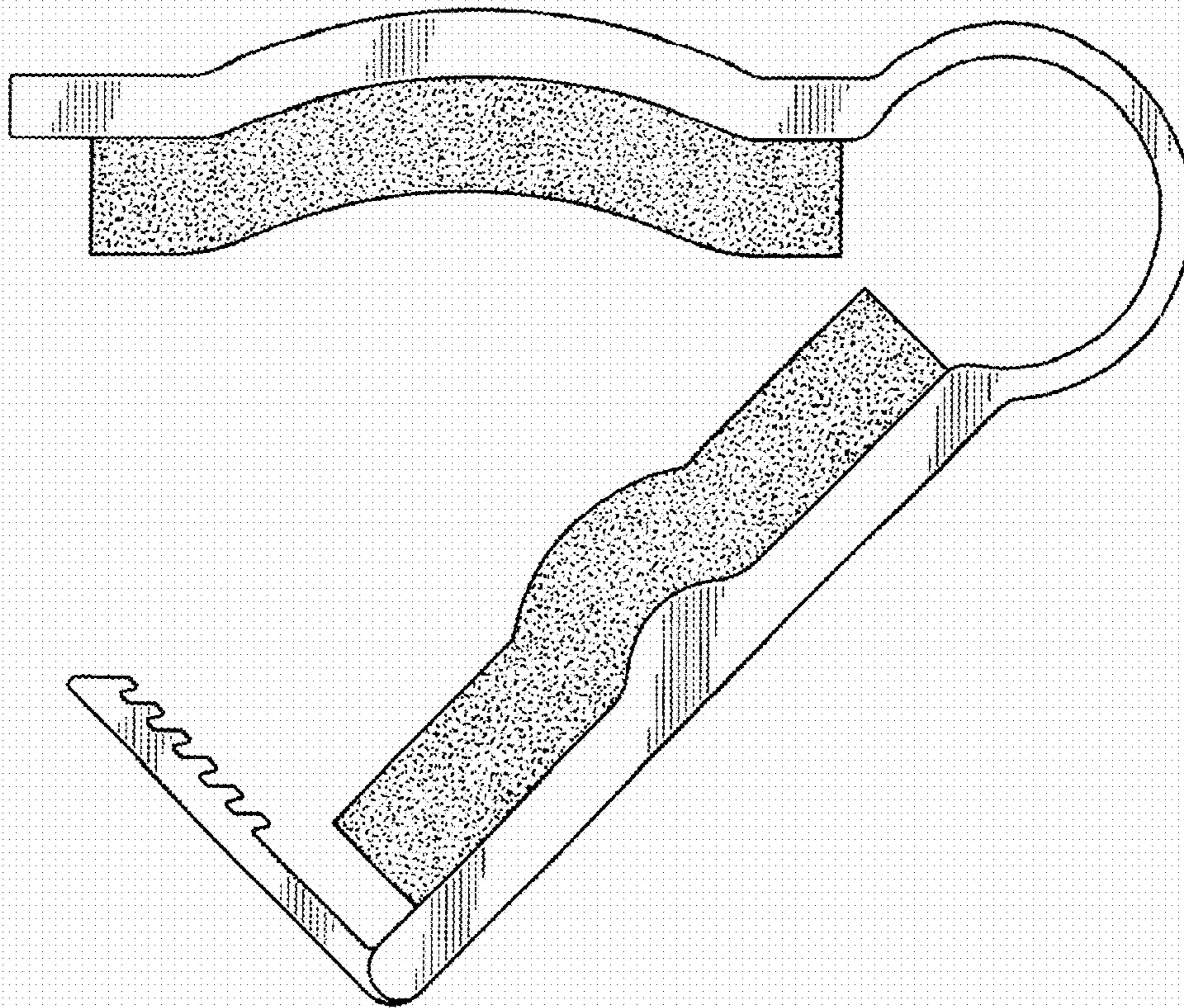


FIG. 4

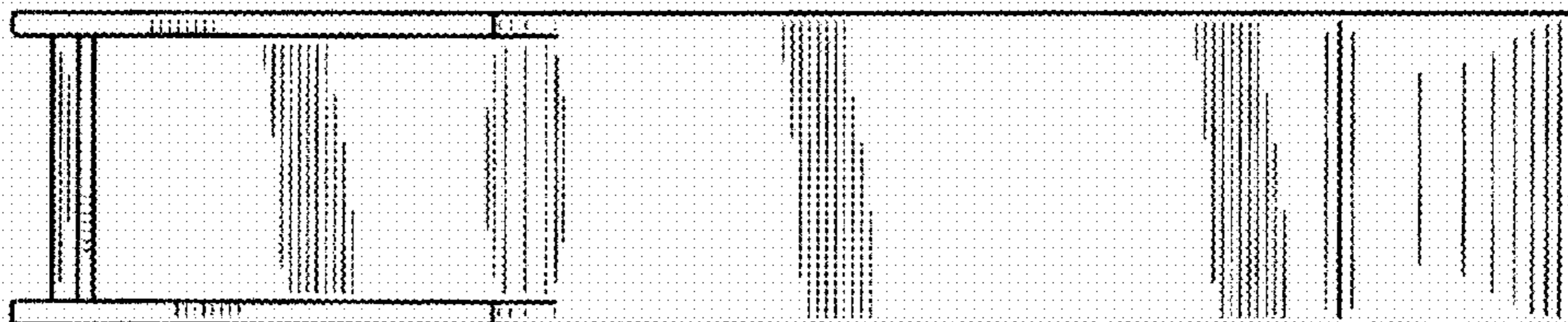


FIG. 5

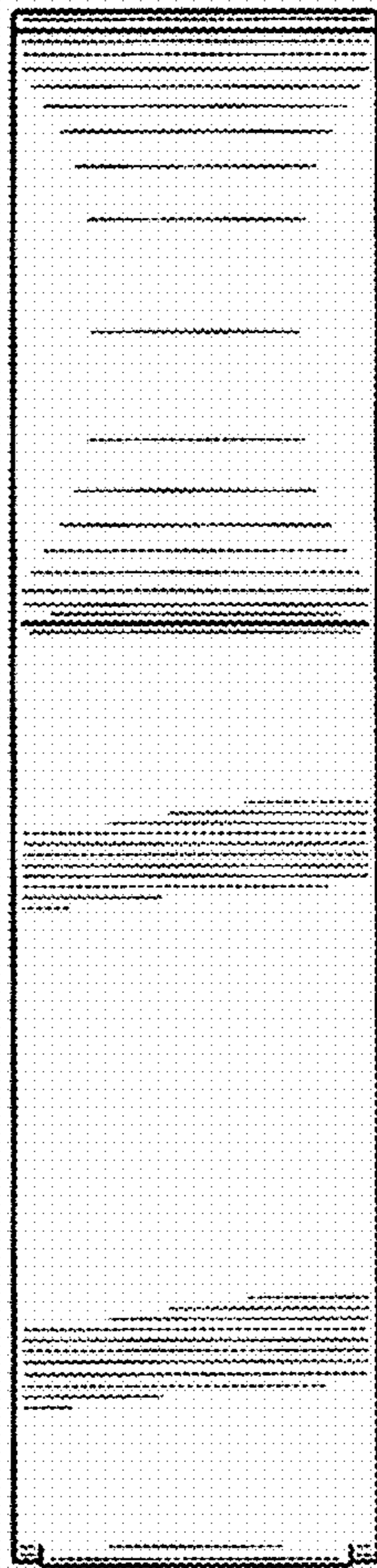


FIG. 6

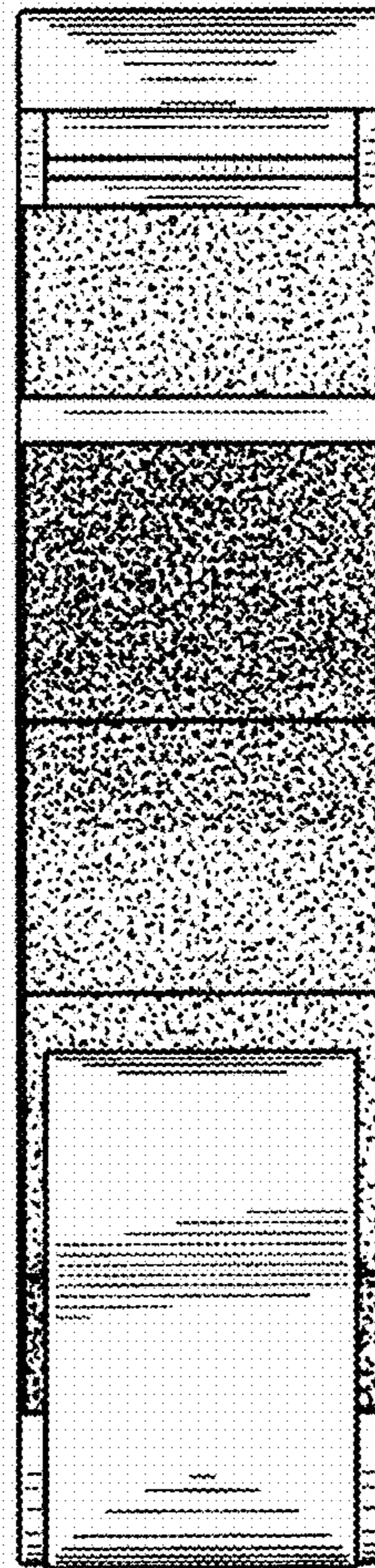


FIG. 7