

US00D767757S

(12) **United States Design Patent** (10) **Patent No.:** **US D767,757 S**
Hole (45) **Date of Patent:** **** Sep. 27, 2016**

(54) **SALIVA COLLECTOR AND ISOLATOR**

8,470,268 B2 * 6/2013 Wong A61B 10/0051
206/569

(71) Applicant: **Thomas Albert Hole**, Harrietsham
(GB)

D703,010 S * 4/2014 Meyer D7/700
D709,185 S * 7/2014 Queiroli D24/122
D744,641 S * 12/2015 Aiken D24/122

(72) Inventor: **Thomas Albert Hole**, Harrietsham
(GB)

FOREIGN PATENT DOCUMENTS

(73) Assignee: **CELL PROJECTS LTD.**, Harriet
Sham (GB)

EM 002459131-0001 5/2014

OTHER PUBLICATIONS

(**) Term: **14 Years**

Cell Project LTD website, Genefix brochure for Isohelix, Jun. 21,
2015, http://www.cellprojects.com/PDF/GeneFix_Brochure.pdf*

(21) Appl. No.: **29/493,537**

* cited by examiner

(22) Filed: **Jun. 10, 2014**

Primary Examiner — David Muller

(51) **LOC (10) Cl.** **24-04**

Assistant Examiner — Nathan Johnston

(52) **U.S. Cl.**
USPC **D24/121**

(74) *Attorney, Agent, or Firm* — Crose Law LLC; Bradley
D. Crose

(58) **Field of Classification Search**
USPC D24/121–123, 112, 207, 216, 224;
D9/716, 524, 435, 441, 447, 431;
D7/509–511, 309, 305, 900, 538, 539,
D7/321, 700; 600/573, 574; 604/317, 318,
604/334; D23/274, 302, 295, 309, 200;
4/144.1–144.4, 459, 460; 229/138
CPC A61B 10/0051; A61B 10/0096; C12Q
1/6883; C12Q 1/6806
See application file for complete search history.

(57) **CLAIM**

The ornamental design for saliva collector and isolator, as
shown and described.

DESCRIPTION

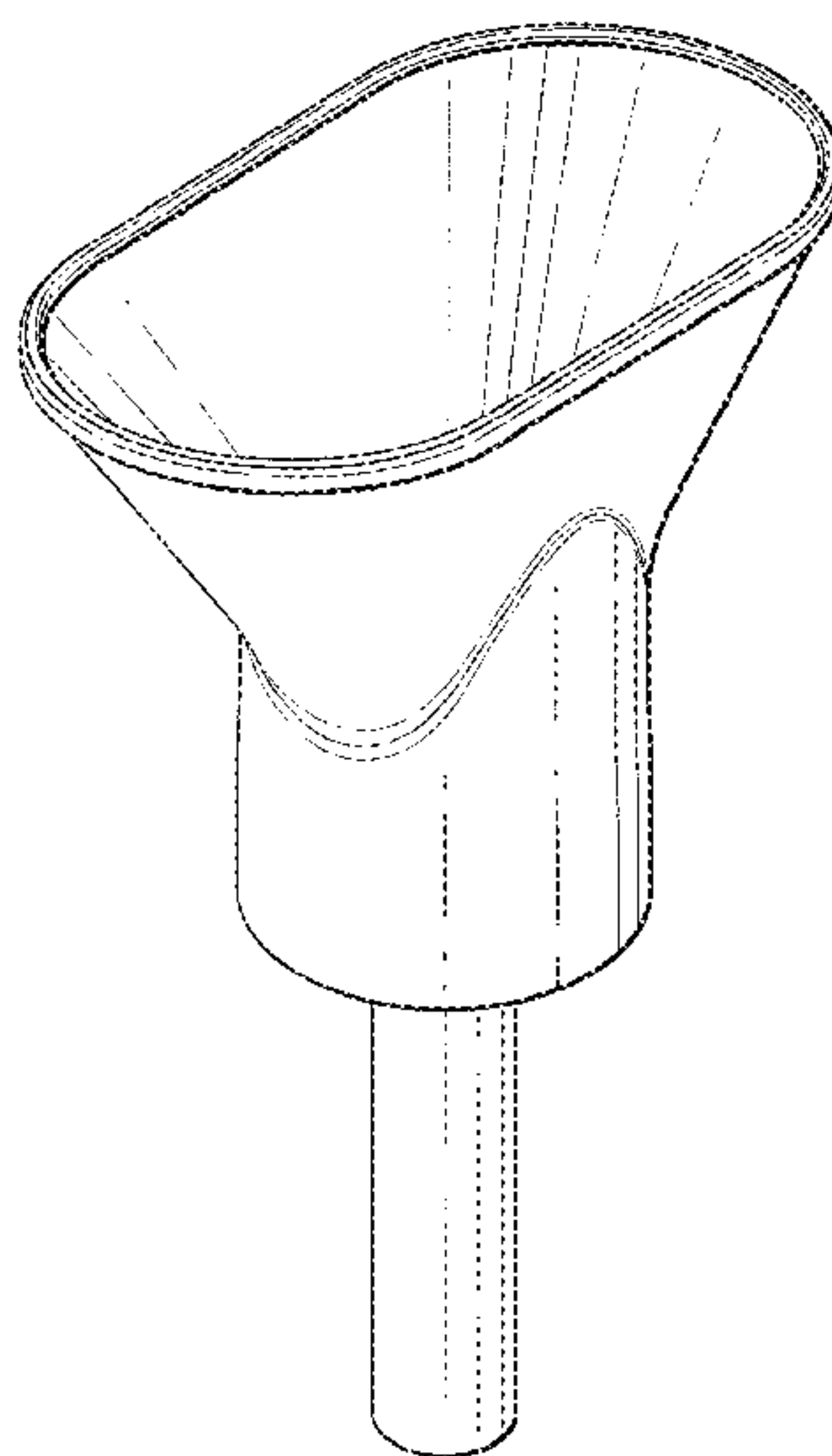
FIG. 1 is a first perspective view, from above, of a saliva
collector and isolator, illustrating the new, original, and
ornamental design;
FIG. 2 is a second perspective view, thereof, from below;
FIG. 3 is a side elevation view thereof;
FIG. 4 is a top plan view thereof;
FIG. 5 is a bottom plan view thereof; and,
FIG. 6 is a side elevation view thereof.
The dash dot lines immediately adjacent to the claimed area
in FIG. 5 represent the boundaries of the claimed design.
The dashed lines in the figures illustrate the portions of the
design that form no part of the claimed design. None of the
broken lines form any part of the claimed design.

(56) **References Cited**

U.S. PATENT DOCUMENTS

D227,413 S * 6/1973 Sherin D24/122
D290,880 S * 7/1987 Blanton D24/122
D340,768 S * 10/1993 Jabour D10/46.2
D409,747 S * 5/1999 Aiken D24/122
D559,397 S * 1/2008 Eriksson D24/224
D589,764 S * 4/2009 Randolph D7/700
D608,888 S * 1/2010 Braynin D24/107
D661,957 S * 6/2012 Lee D7/700

1 Claim, 6 Drawing Sheets



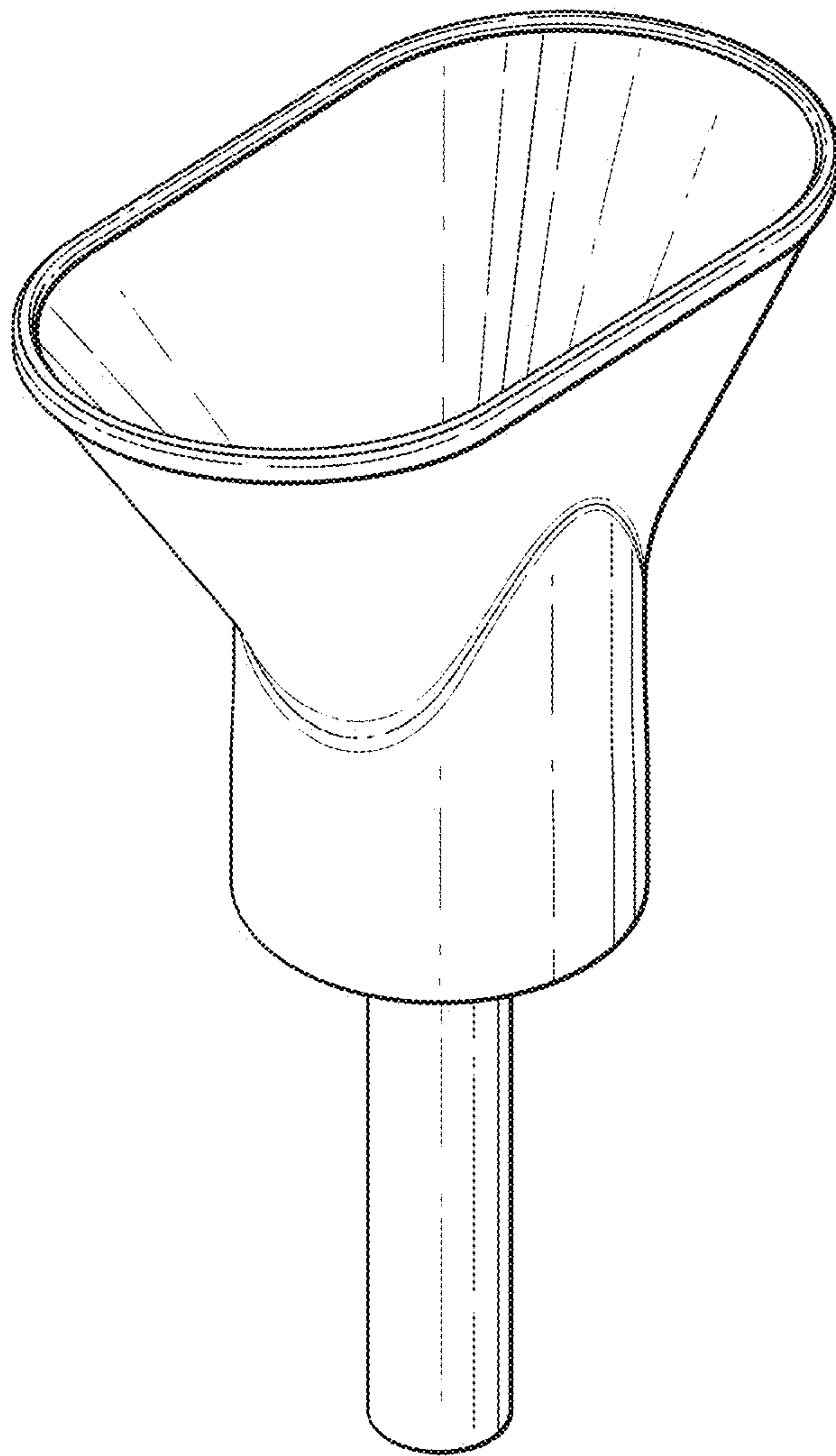


FIG. 1

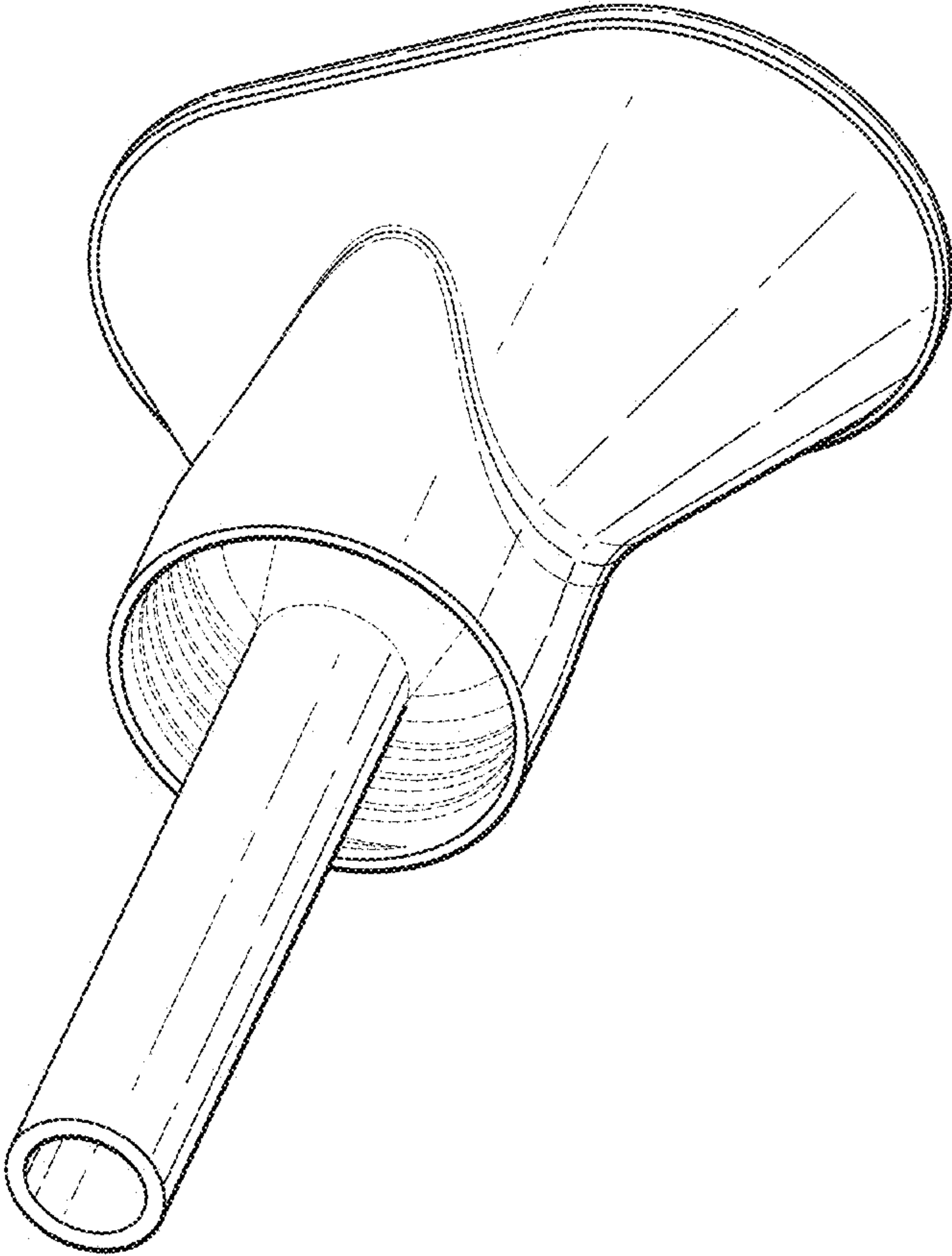


FIG. 2

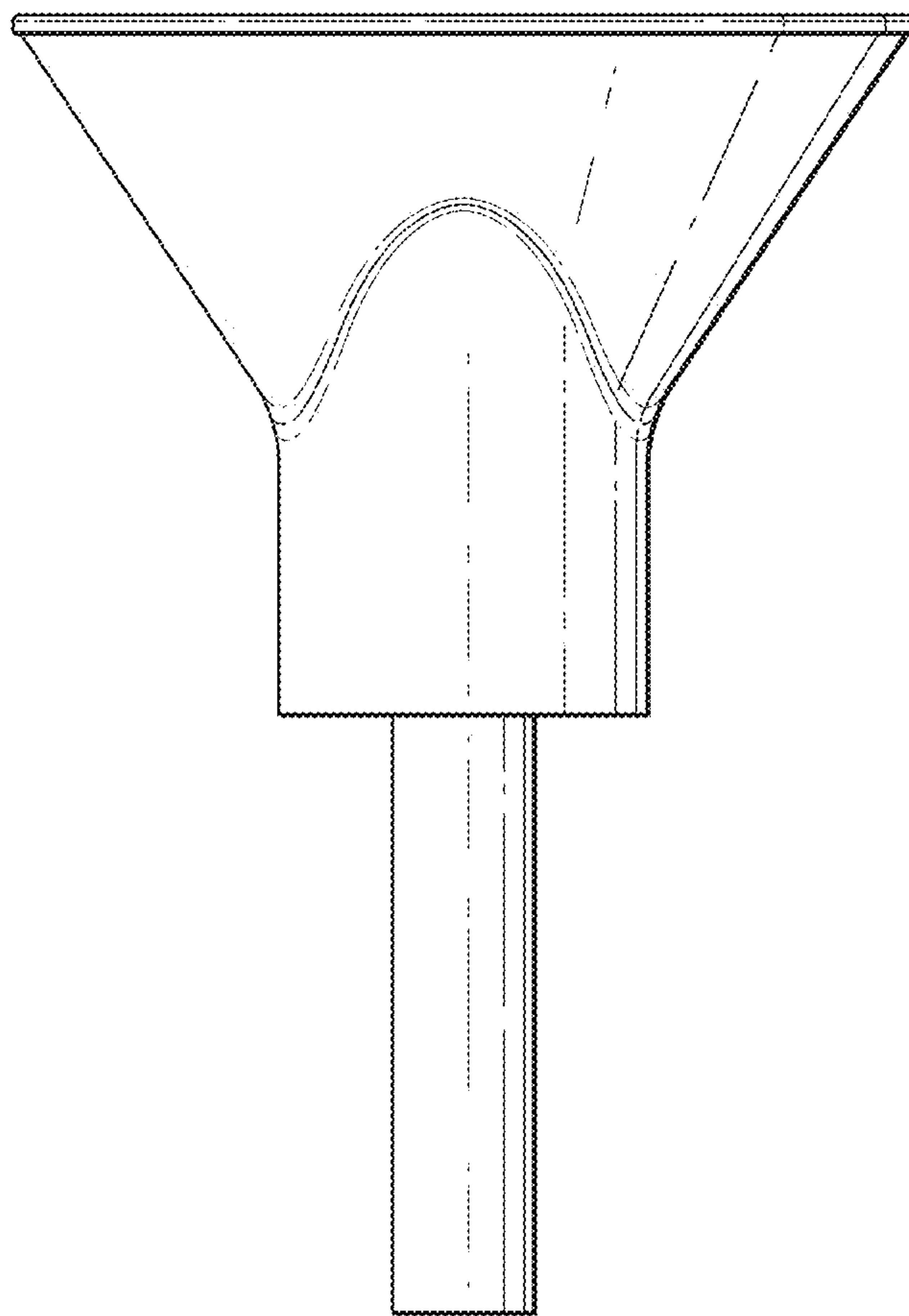


FIG. 3

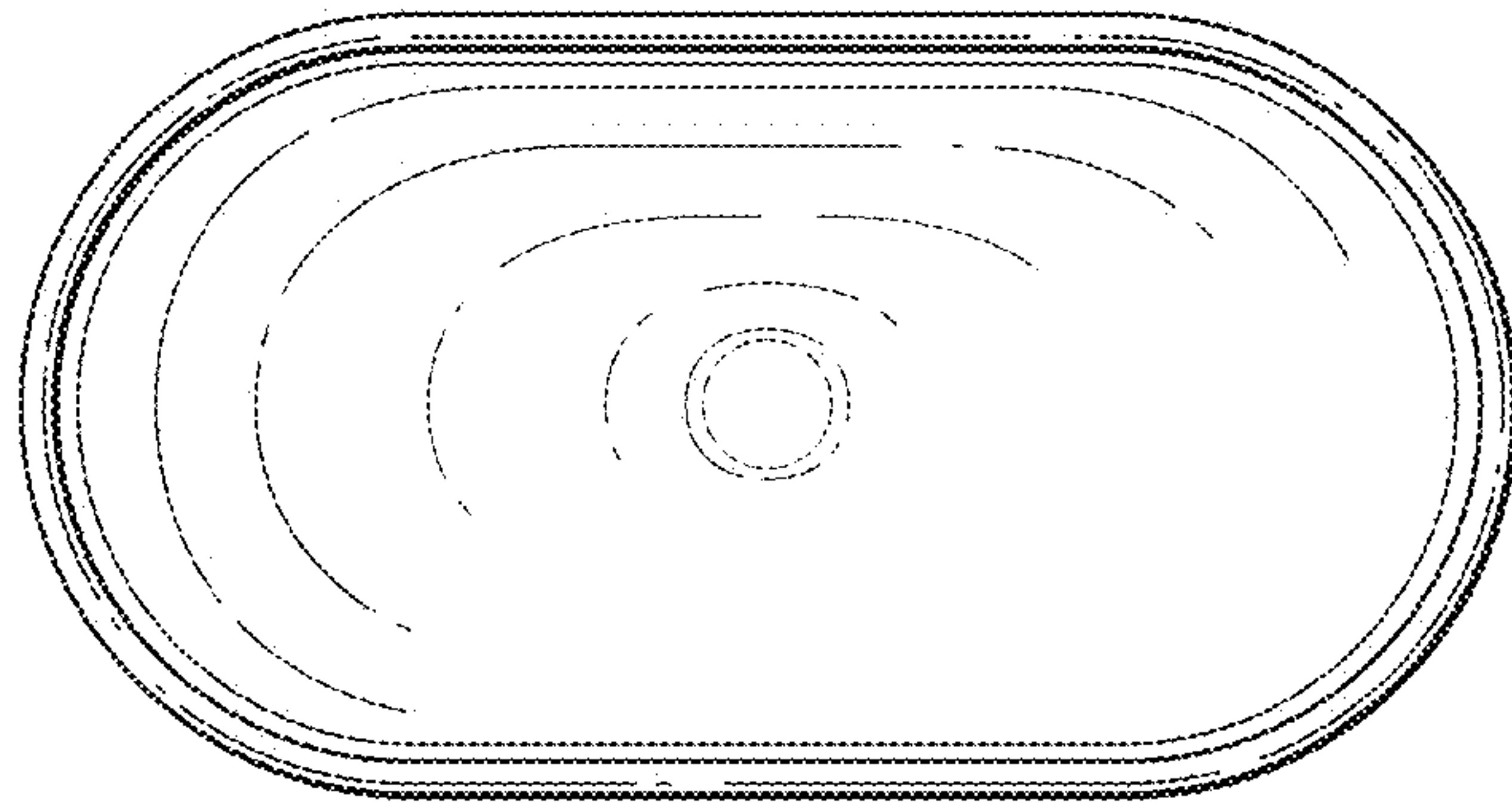


FIG. 4

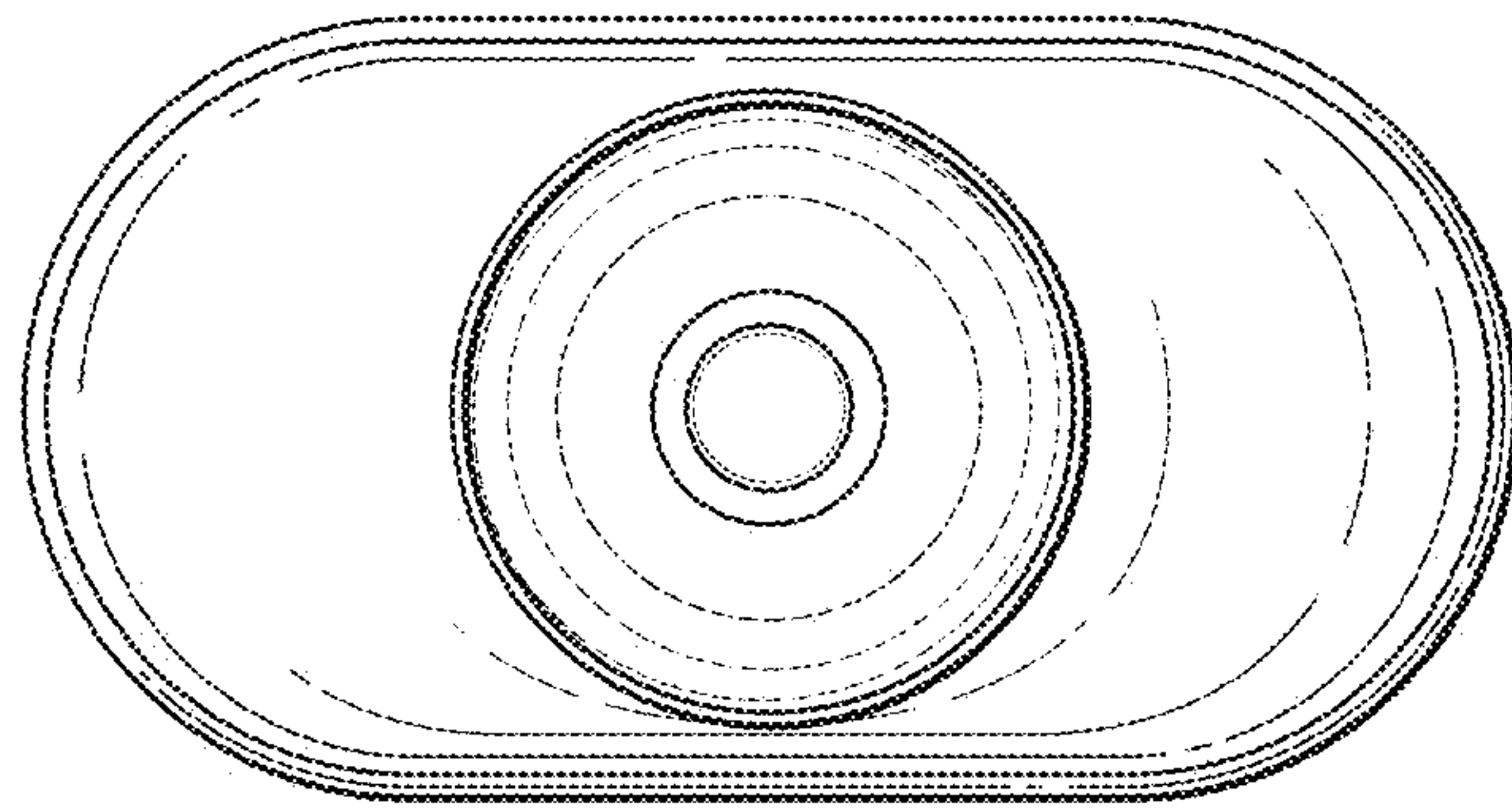


FIG. 5

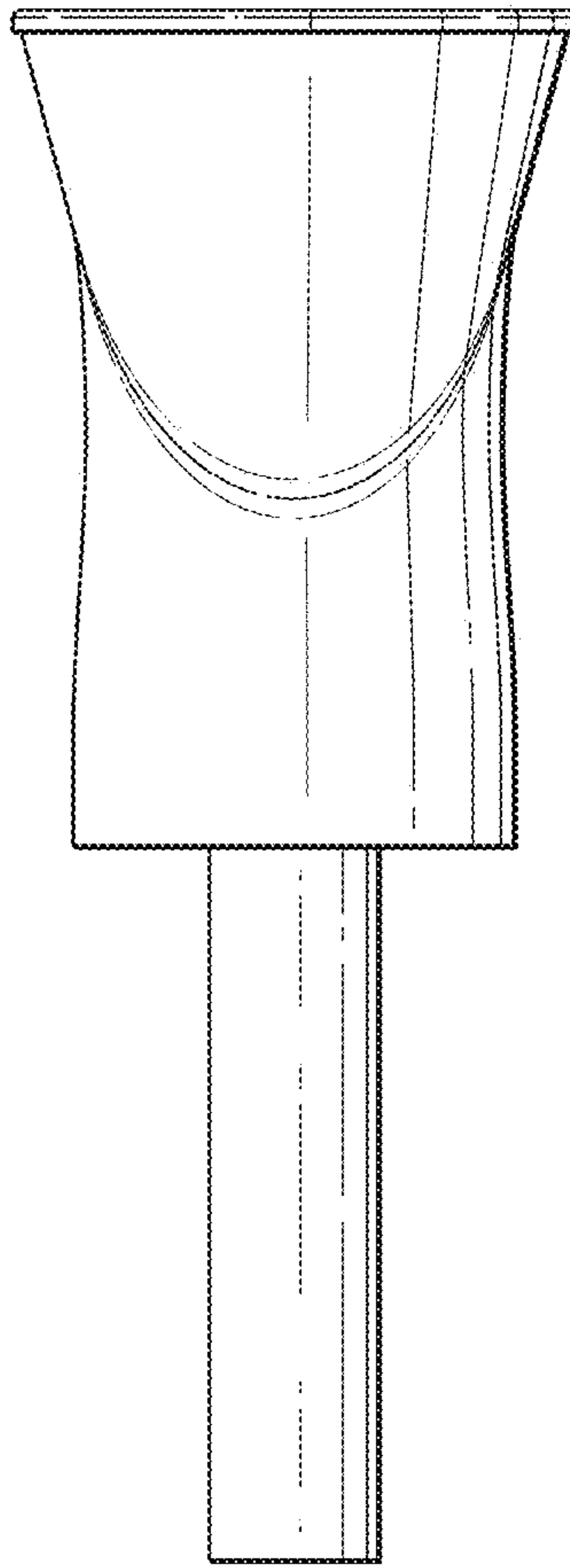


FIG. 6