



US00D767747S

(12) **United States Design Patent**
Wang

(10) **Patent No.:** **US D767,747 S**

(45) **Date of Patent:** **** Sep. 27, 2016**

- (54) **HANDHELD FAN**
- (71) Applicant: **Connie Wang**, Irvine, CA (US)
- (72) Inventor: **Connie Wang**, Irvine, CA (US)
- (**) Term: **14 Years**
- (21) Appl. No.: **29/521,317**
- (22) Filed: **Mar. 23, 2015**
- (51) **LOC (10) Cl.** **23-04**
- (52) **U.S. Cl.**
USPC **D23/379**
- (58) **Field of Classification Search**
USPC D23/314, 328, 332, 370, 379, 381, 382,
D23/413; D21/455, 458; D19/123
CPC F04D 25/084; A61L 9/122
See application file for complete search history.

- D414,550 S * 9/1999 Bloom D23/328
- 6,109,874 A * 8/2000 Steiner A61L 9/122
416/229 R
- D451,992 S * 12/2001 Yuen D23/377
- D451,994 S * 12/2001 Yuen D23/379
- 6,378,845 B1 * 4/2002 Hsu F24F 6/00
239/222.11
- D475,777 S * 6/2003 Pennington D23/379
- D480,131 S * 9/2003 Bloom D23/379
- D482,064 S * 11/2003 Steiner D19/123
- D529,597 S * 10/2006 Mombauer D23/379
- D548,454 S * 8/2007 Radtke D23/379
- D559,966 S * 1/2008 Kit D23/379
- D560,790 S * 1/2008 Chernick D23/379
- D565,720 S * 4/2008 Chen D23/379
- D593,237 S * 5/2009 Chernick D26/37

(Continued)

OTHER PUBLICATIONS

Avon Misting Fan. youravon.com. [online image] 1 page. Uploaded Oct. 2012 [retrieved on May 20, 2016]. Retrieved from Internet: <https://www2.youravon.com/REPSuite/static/catalog/2012/10/en/whatsnew/detail/p126t4.html> image URL: <https://www2.youravon.com/REPSuite/static/catalog/2012/10/en/whatsnew/images/detail/p126t4.jpg>.*

(Continued)

(56) **References Cited**

U.S. PATENT DOCUMENTS

- D54,419 S * 2/1920 Hotz D23/370
- 1,473,045 A * 11/1923 Puttaert F04D 25/084
310/50
- 1,504,003 A * 8/1924 Trumbull F04D 25/084
362/208
- 2,750,104 A * 6/1956 Scaroulis F04D 25/084
416/143
- 2,909,316 A * 10/1959 Prohaczka F04D 25/084
200/60
- 2,910,225 A * 10/1959 Whitling F04D 25/084
126/25 B
- 3,997,115 A * 12/1976 Licudine B05B 3/022
222/333
- D334,976 S * 4/1993 Yuen D23/377
- D354,979 S * 1/1995 Tsuji D19/123
- D354,984 S * 1/1995 Tsuji 401/195
- D395,701 S * 6/1998 Radtke D23/328
- D396,104 S * 7/1998 Radtke D23/332
- D397,427 S * 8/1998 Junkel D23/328
- D397,774 S * 9/1998 Junkel D23/328
- 5,843,344 A * 12/1998 Junkel B01F 3/04007
239/222.11
- 5,851,106 A * 12/1998 Steiner F04D 25/084
416/146 R
- D406,331 S * 3/1999 Chan D23/332

Primary Examiner — Susan Bennett Hattan
Assistant Examiner — Marie Fast Horse
(74) *Attorney, Agent, or Firm* — Bacon & Thomas, PLLC

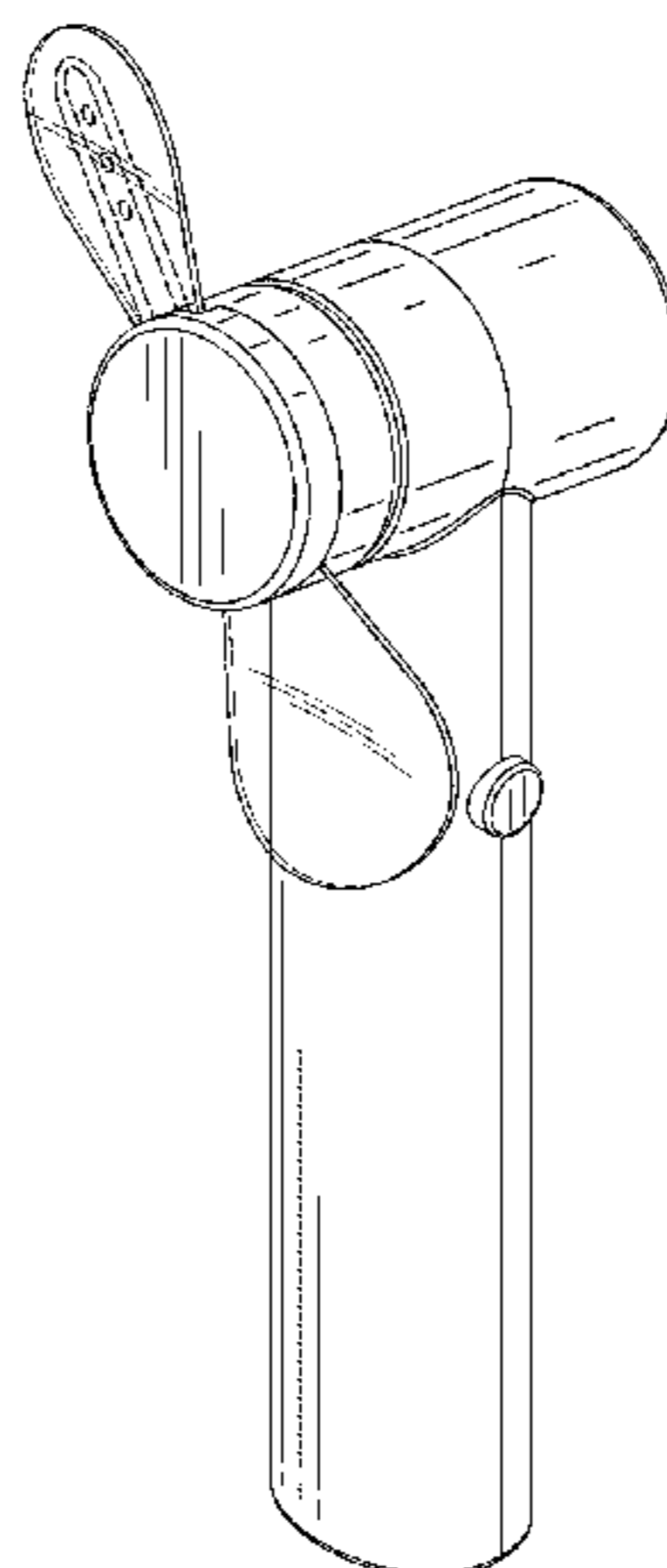
(57) **CLAIM**

The ornamental design for a handheld fan, as shown and described.

DESCRIPTION

FIG. 1 is a perspective view of a handheld fan showing my new design;
FIG. 2 is a front elevational view thereof;
FIG. 3 is a rear elevational view thereof;
FIG. 4 is a left side elevational view thereof;
FIG. 5 is a right side elevational view thereof;
FIG. 6 is a top plan view thereof; and,
FIG. 7 is a bottom plan view thereof.
The broken lines shown in the drawings depict portions of the handheld fan that form no part of the claimed design.

1 Claim, 6 Drawing Sheets



(56)

References Cited

U.S. PATENT DOCUMENTS

7,775,848 B1 * 8/2010 Auerbach A23G 3/563
446/73
7,866,958 B2 * 1/2011 Patel F04B 17/006
417/234
8,333,560 B1 * 12/2012 Ward F04D 25/084
415/213.1
D703,304 S * 4/2014 Herbst D23/379
D703,308 S * 4/2014 Peterson D23/379
D733,281 S * 6/2015 Herbst D23/328
D733,282 S * 6/2015 Peterson D23/328
2010/0129268 A1 * 5/2010 Andersen G06Q 99/00
422/124
2011/0008190 A1 * 1/2011 Lee F04D 25/084
417/410.1

2013/0320574 A1* 12/2013 Sickinger A61L 9/032
261/141

OTHER PUBLICATIONS

Mini Fan—JP D1312388. (Design-© Questel). orbit.com [online PDF] 73 pages. Print Date Oct. 9, 2007 [retrieved on May 20, 2016]. Retrieved from Internet: <https://sobjprd.questel.fr/export/QPTUJ214/pdf2/1ef4cbf4-9506-4ef0-ad17-83e18b40ca6b-222056.pdf>.*
Mini plastic battery operated hand held fans. Bizoco.com [online image] 1 page. Uploaded May 29, 2013 [retrieved on May 20, 2016]. Retrieved from Internet: <http://nppmcl11.bizgoco.com/item/1542905/mini-plastic-battery-operated-hand-held-fans.html>image URL: http://img.bizgoco.com/upload/20130529/mini_plastic_battery_operated_hand_held_fans.jpg.*

* cited by examiner

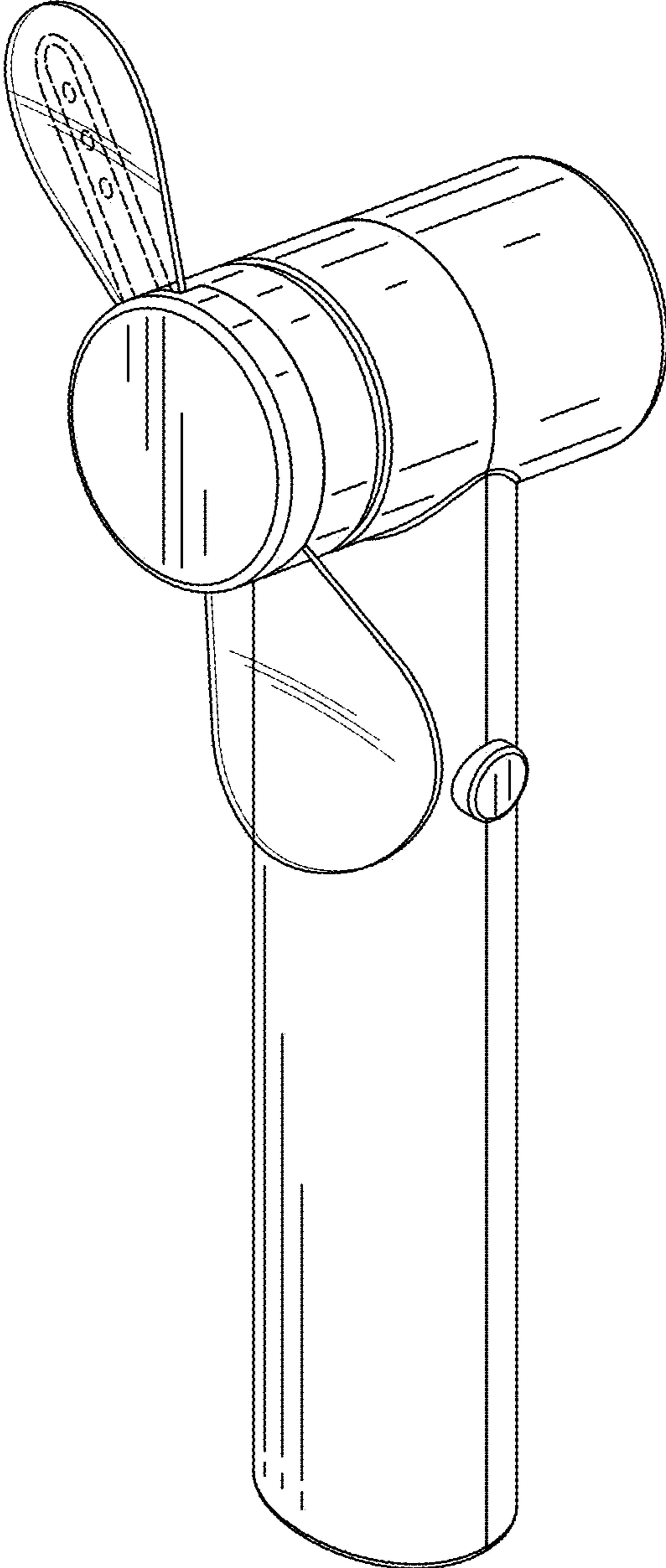


FIG. 1

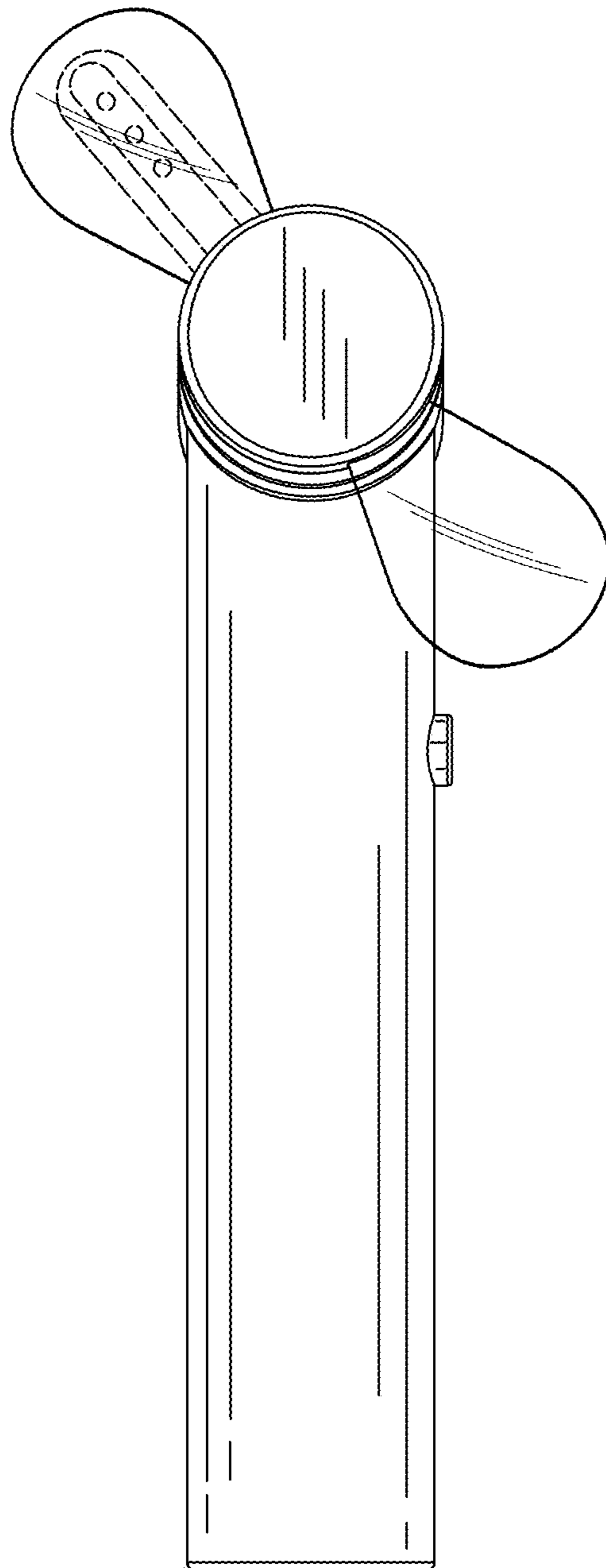


FIG. 2

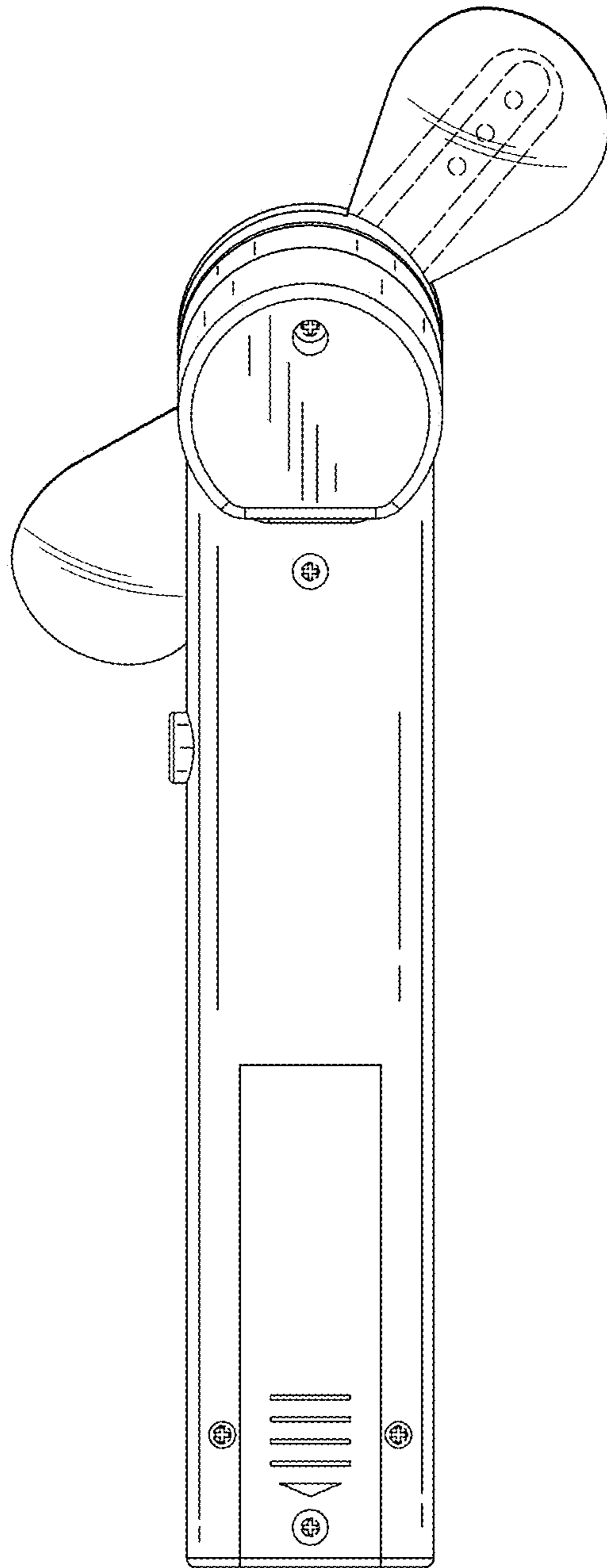


FIG. 3

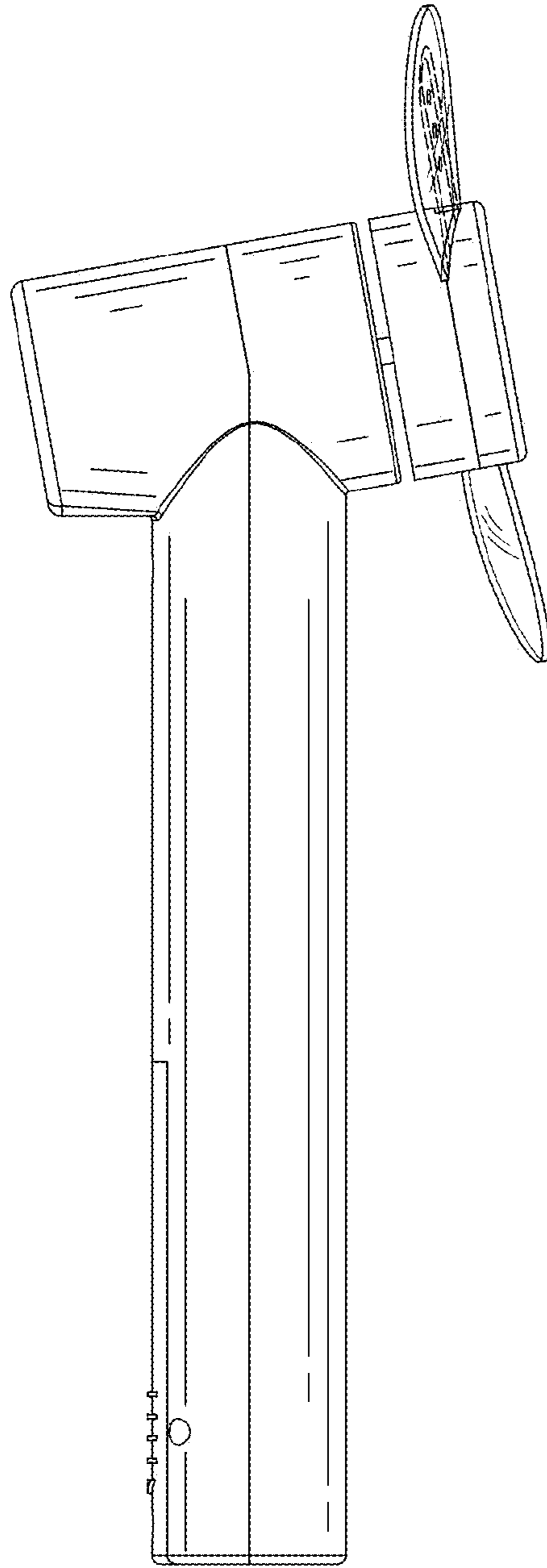


FIG. 4

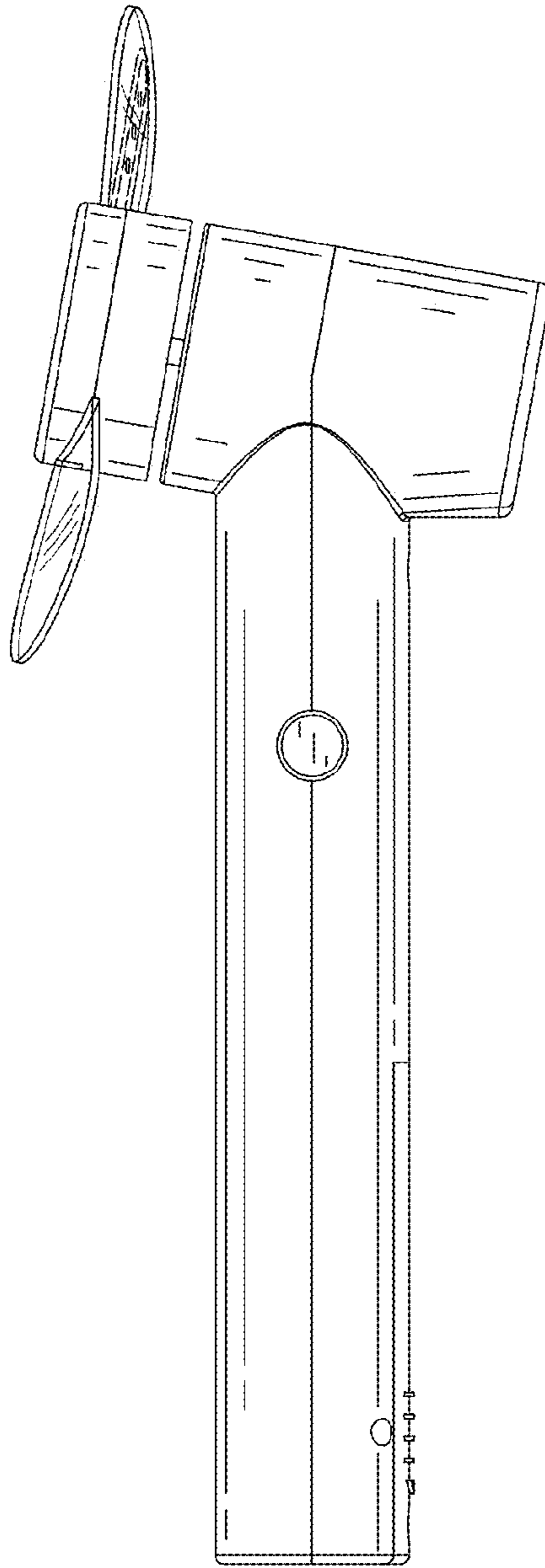


FIG. 5

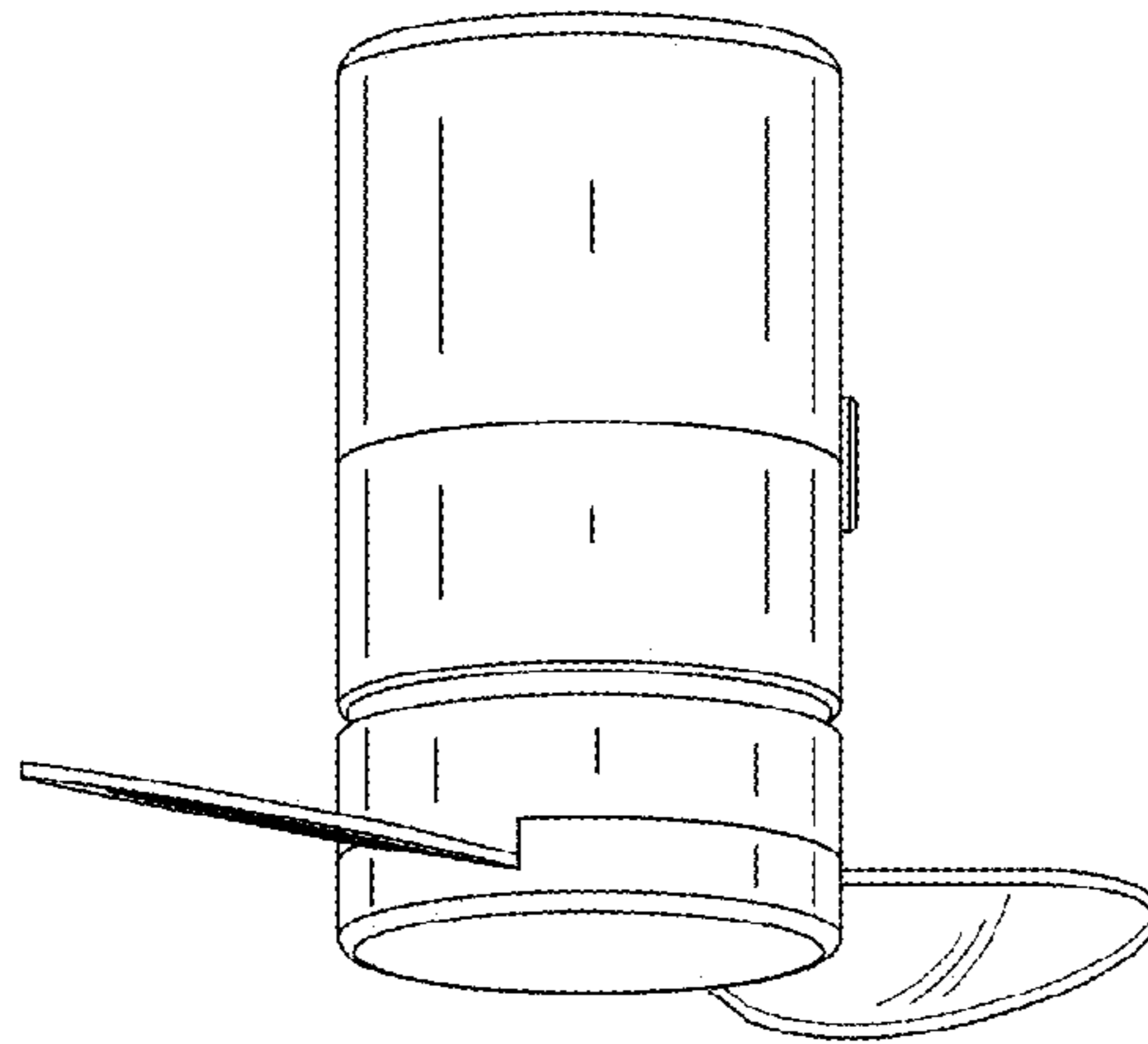


FIG. 6

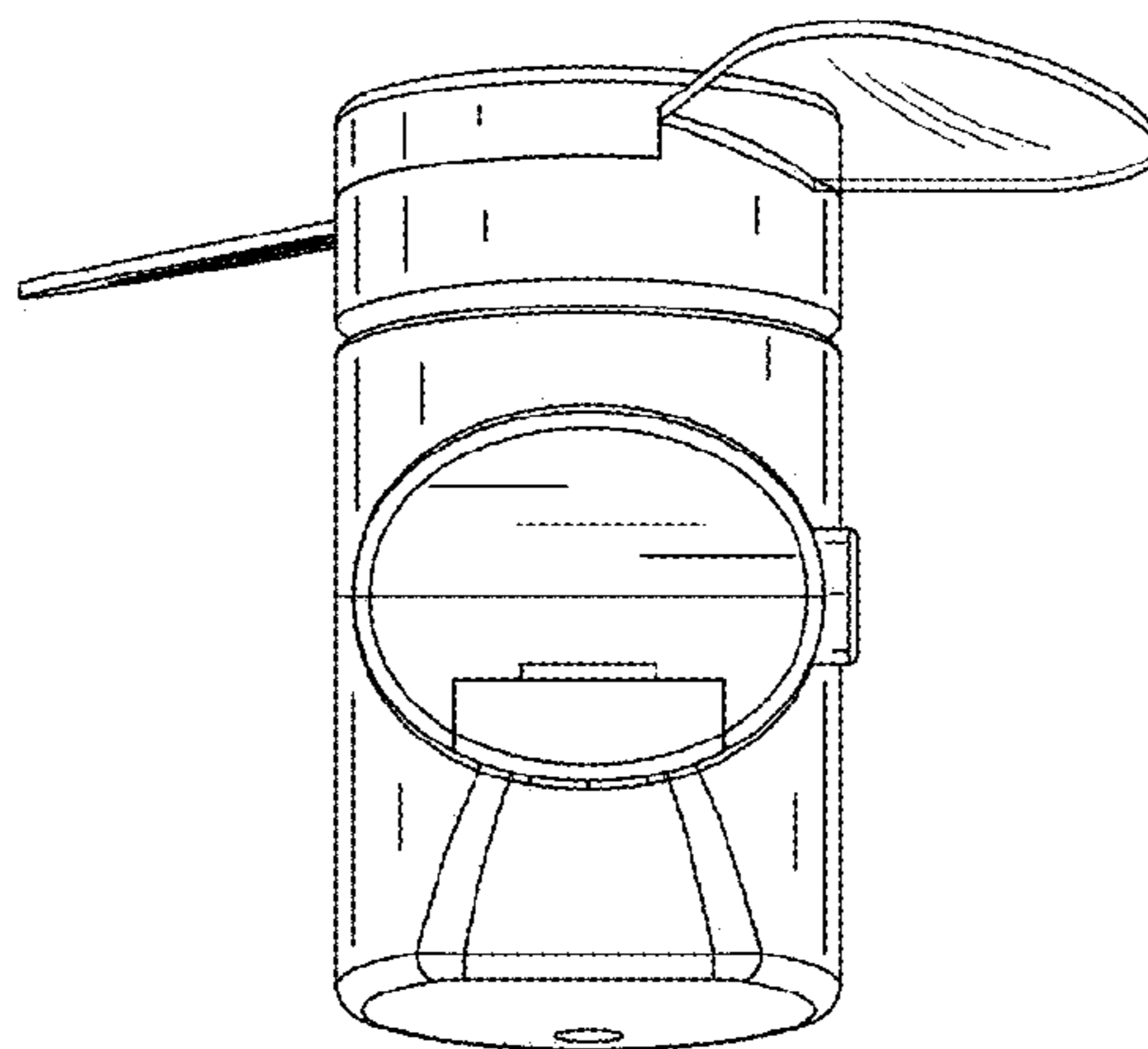


FIG. 7