



US00D767745S

(12) **United States Design Patent** (10) **Patent No.:** **US D767,745 S**
Goad (45) **Date of Patent:** **** Sep. 27, 2016**

- (54) **TOILET**
- (71) Applicant: **Kohler Co.**, Kohler, WI (US)
- (72) Inventor: **Robin A. Goad**, Sheboygan, WI (US)
- (73) Assignee: **KOHLER CO.**, Kohler, WI (US)
- (**) Term: **15 Years**
- (21) Appl. No.: **29/553,397**
- (22) Filed: **Feb. 1, 2016**

- D536,428 S 2/2007 Kohler, Jr. et al.
- D536,771 S 2/2007 Chenesseau
- D647,184 S 10/2011 Bates
- D657,852 S 4/2012 Vanderheyden et al.
- D670,368 S 11/2012 Vanderheyden
- D688,356 S 8/2013 Mendoza
- D710,979 S 8/2014 Spangler

OTHER PUBLICATIONS

Kohler 2014 Fixtures Price Book, pp. 314-336.

Primary Examiner — Robert Delehanty

(74) *Attorney, Agent, or Firm* — Foley & Lardner LLP

Related U.S. Application Data

- (62) Division of application No. 29/517,725, filed on Feb. 16, 2015.
- (51) **LOC (10) Cl.** **23-02**
- (52) **U.S. Cl.**
USPC **D23/309**
- (58) **Field of Classification Search**
USPC D23/295, 301, 303, 309, 313
CPC E03D 1/00; E03D 1/01; E03D 11/02
See application file for complete search history.

(57) **CLAIM**

I claim the ornamental design for a toilet, as shown and described.

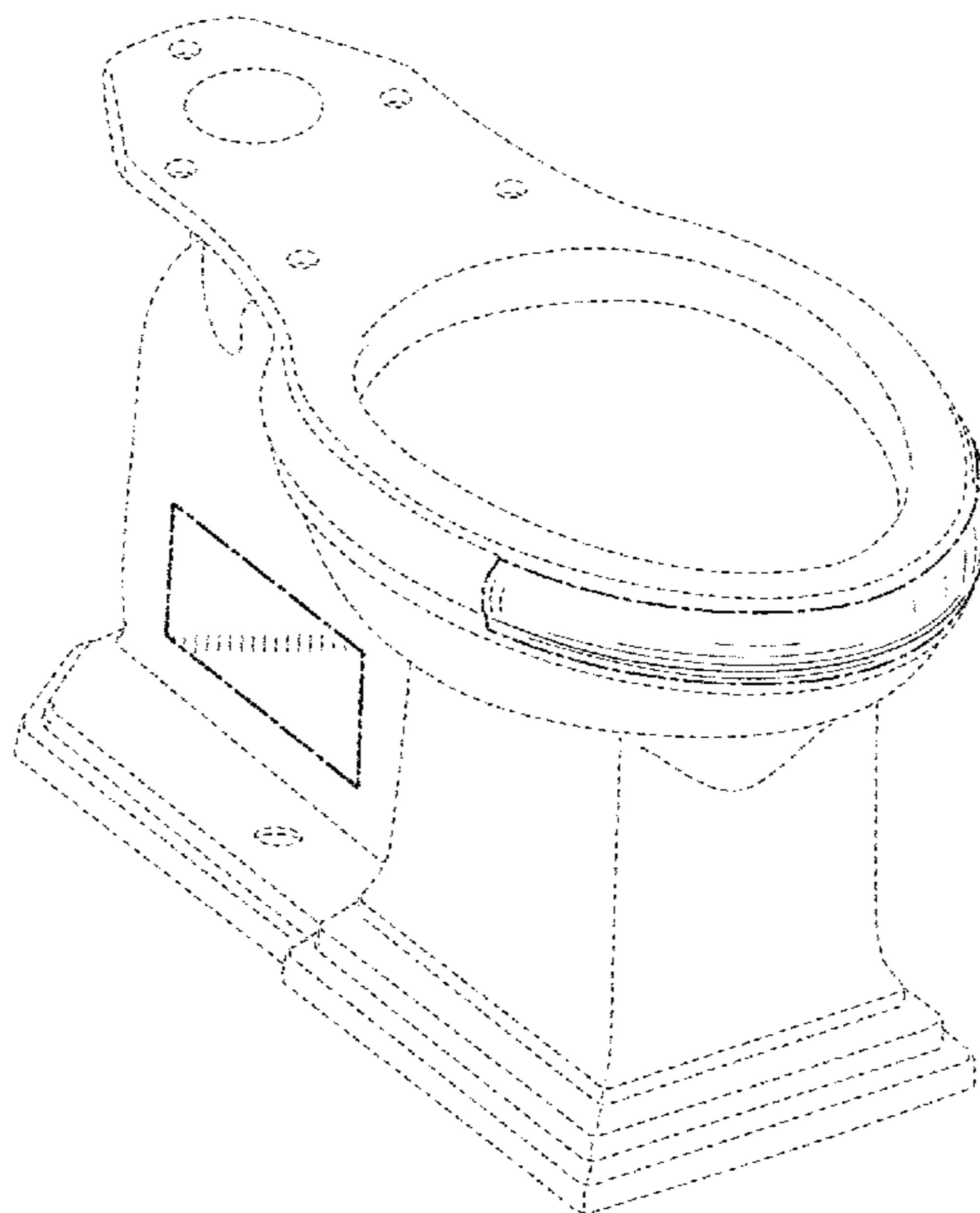
DESCRIPTION

FIG. 1 is a perspective view of an embodiment of the claimed design;
FIG. 2 is a side view of the embodiment of FIG. 1;
FIG. 3 is another side view of the embodiment of FIG. 1;
FIG. 4 is a front view of the embodiment of FIG. 1;
FIG. 5 is a rear view of the embodiment of FIG. 1;
FIG. 6 is a top view of the embodiment of FIG. 1; and,
FIG. 7 is a bottom view of the embodiment of FIG. 1.

The ornamental design that is claimed is shown in the drawings as solid lines and surfaces having surface shading. The broken lines in the drawings are for illustrative purposes only and form no part of the claimed design. For example, broken lines formed by equal length dashes show unclaimed portions of the design. Broken lines formed of unequal length dashes (i.e., dash-dot) show boundaries between claimed and unclaimed portions of the design.

1 Claim, 7 Drawing Sheets

- (56) **References Cited**
U.S. PATENT DOCUMENTS
- D268,779 S 4/1983 Doman
- D332,137 S 12/1992 Kohler, Jr. et al.
- D387,858 S 12/1997 McKeone
- D415,563 S 10/1999 McKeone
- D441,437 S 5/2001 McKeone
- D444,864 S 7/2001 McKeone
- D451,175 S 11/2001 Smith
- D455,822 S 4/2002 McKeon
- D484,579 S 12/2003 Bennie
- D496,442 S 9/2004 Bates
- D496,443 S 9/2004 Bates



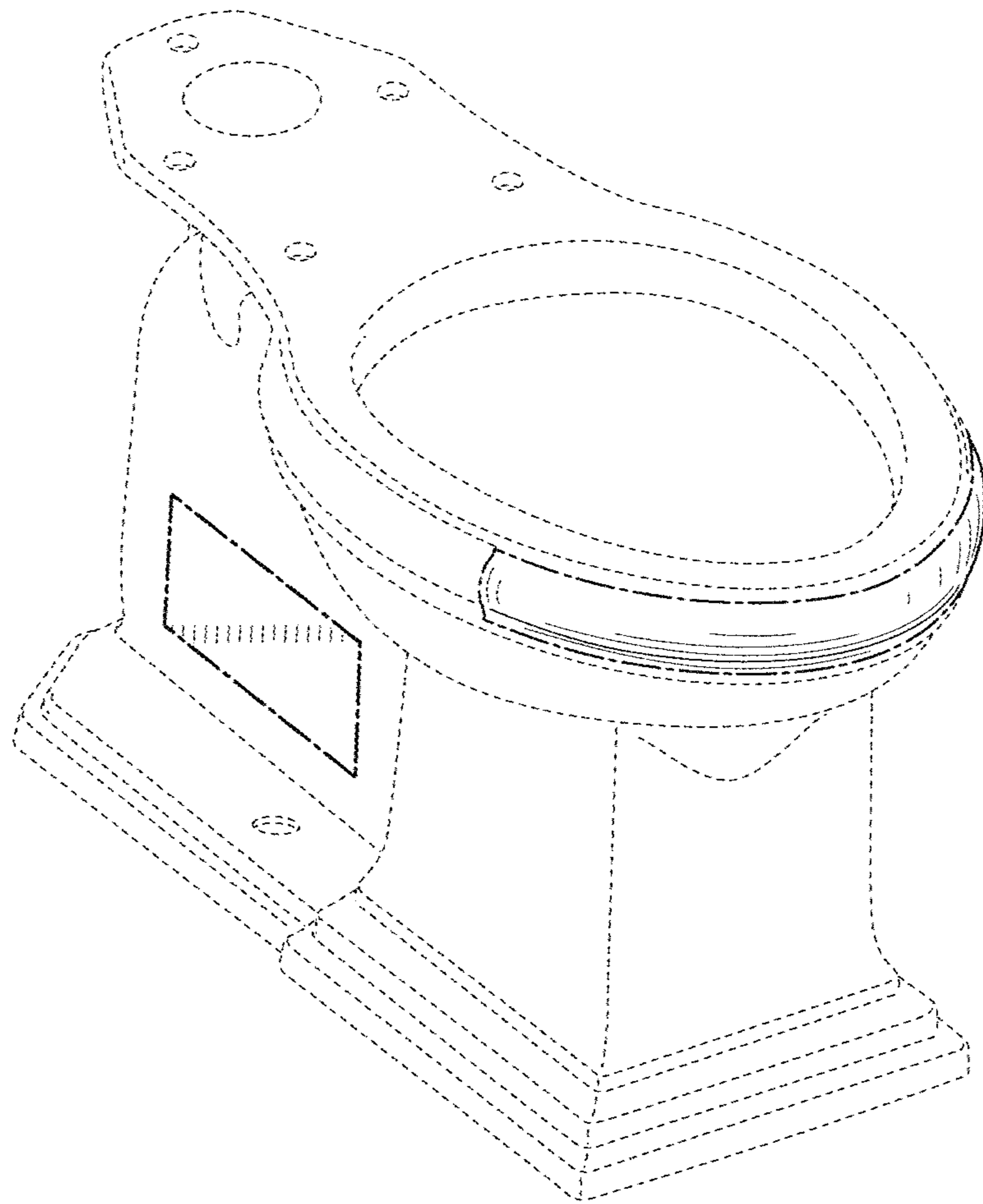


FIG. 1

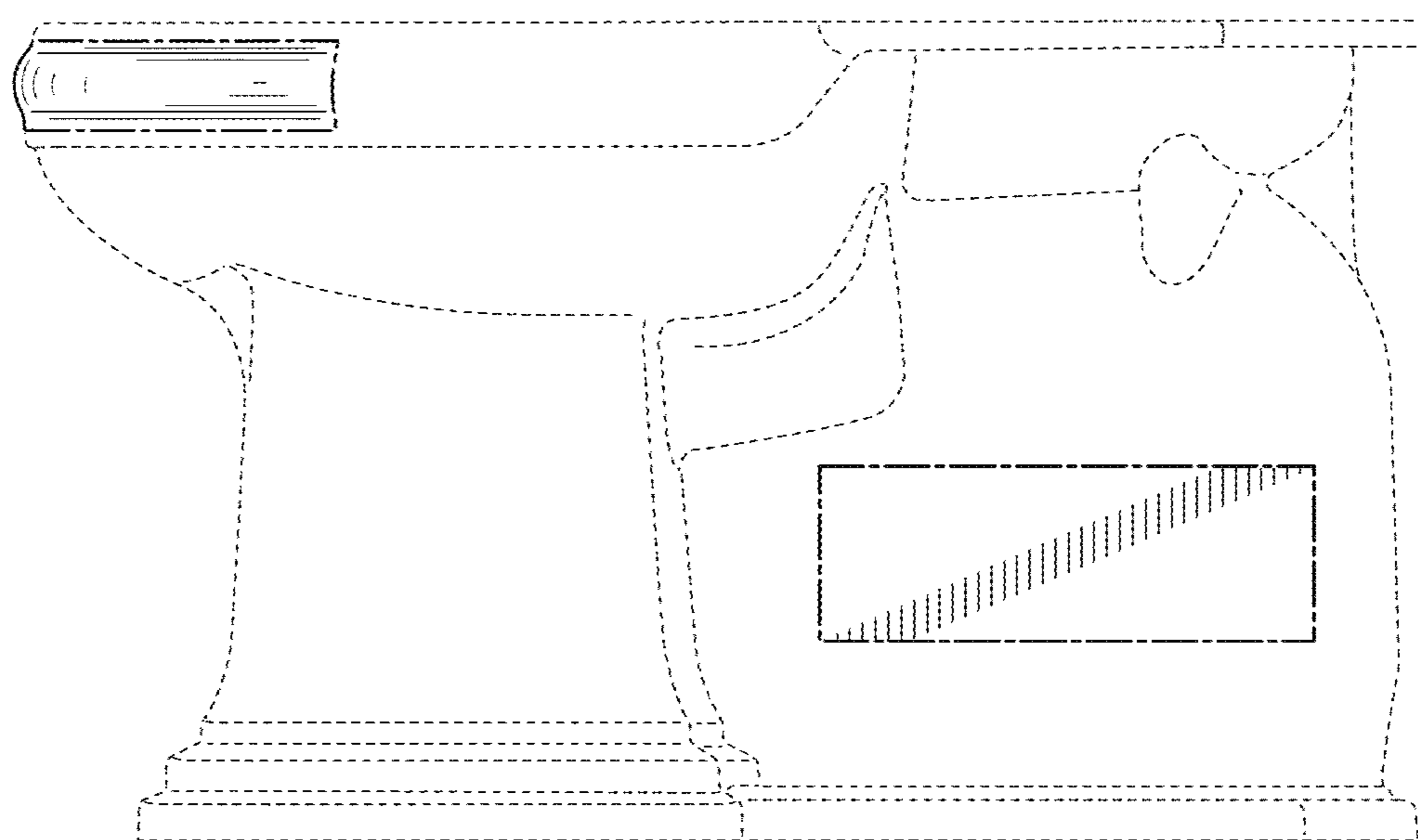


FIG. 2

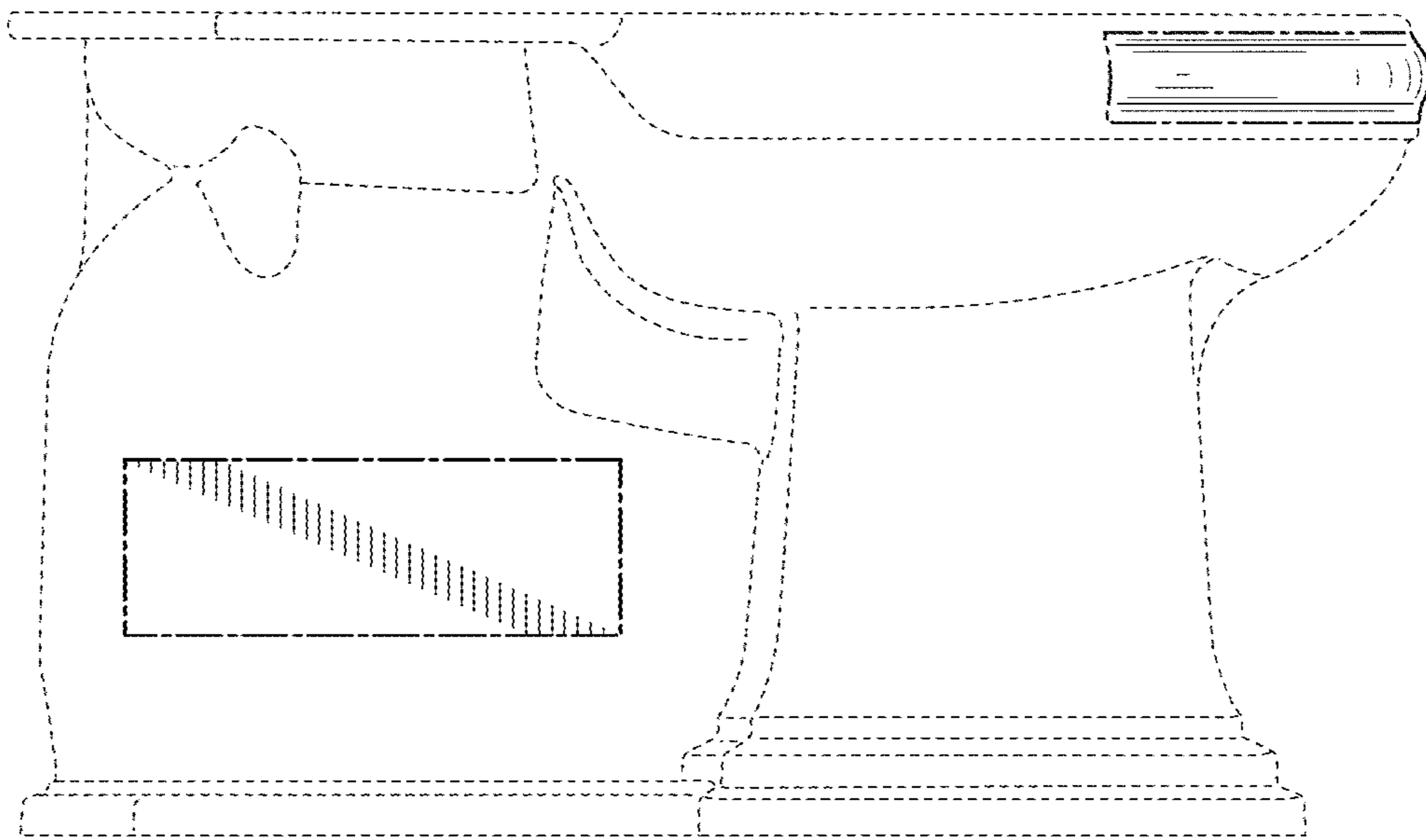


FIG. 3

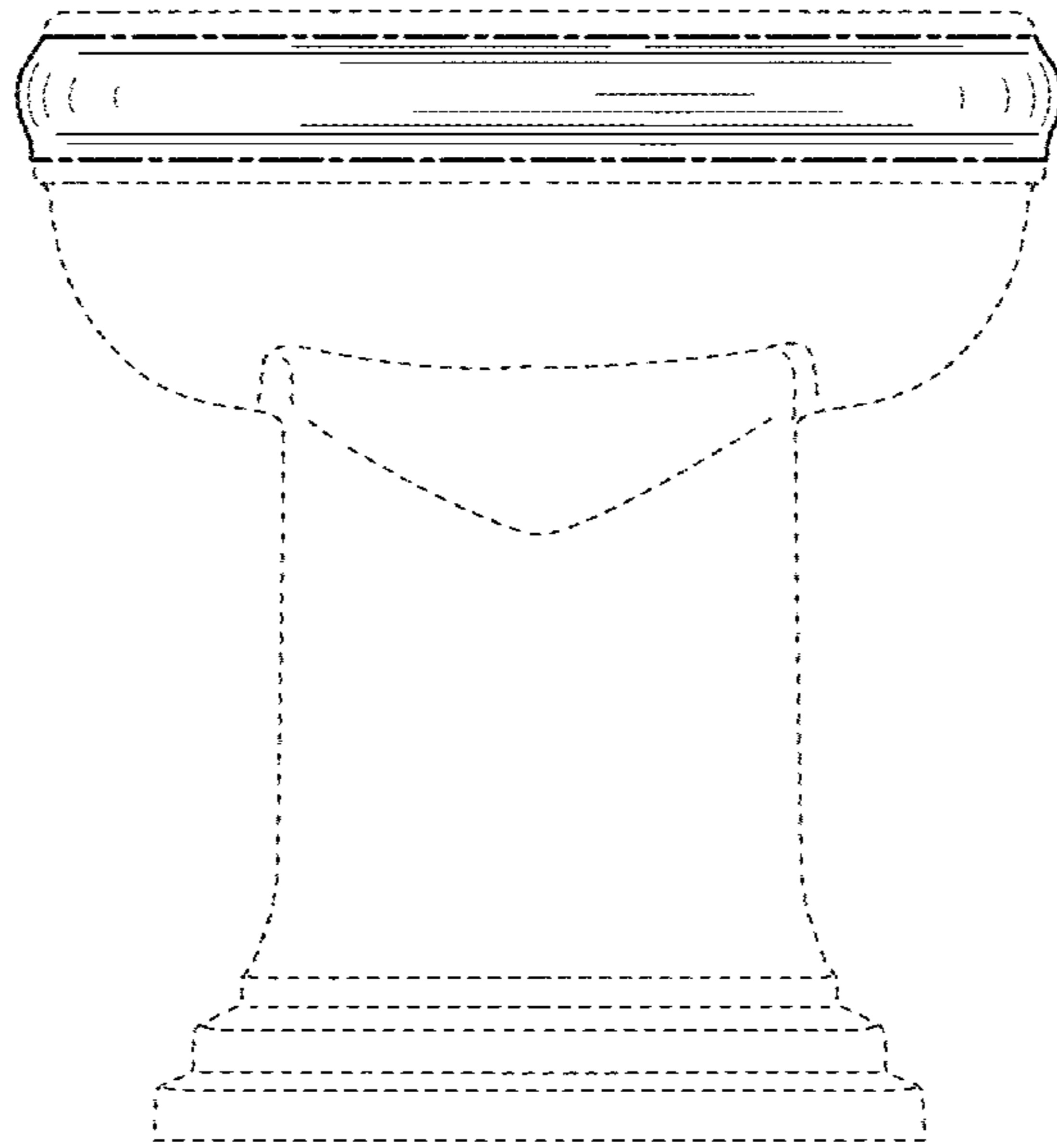


FIG. 4

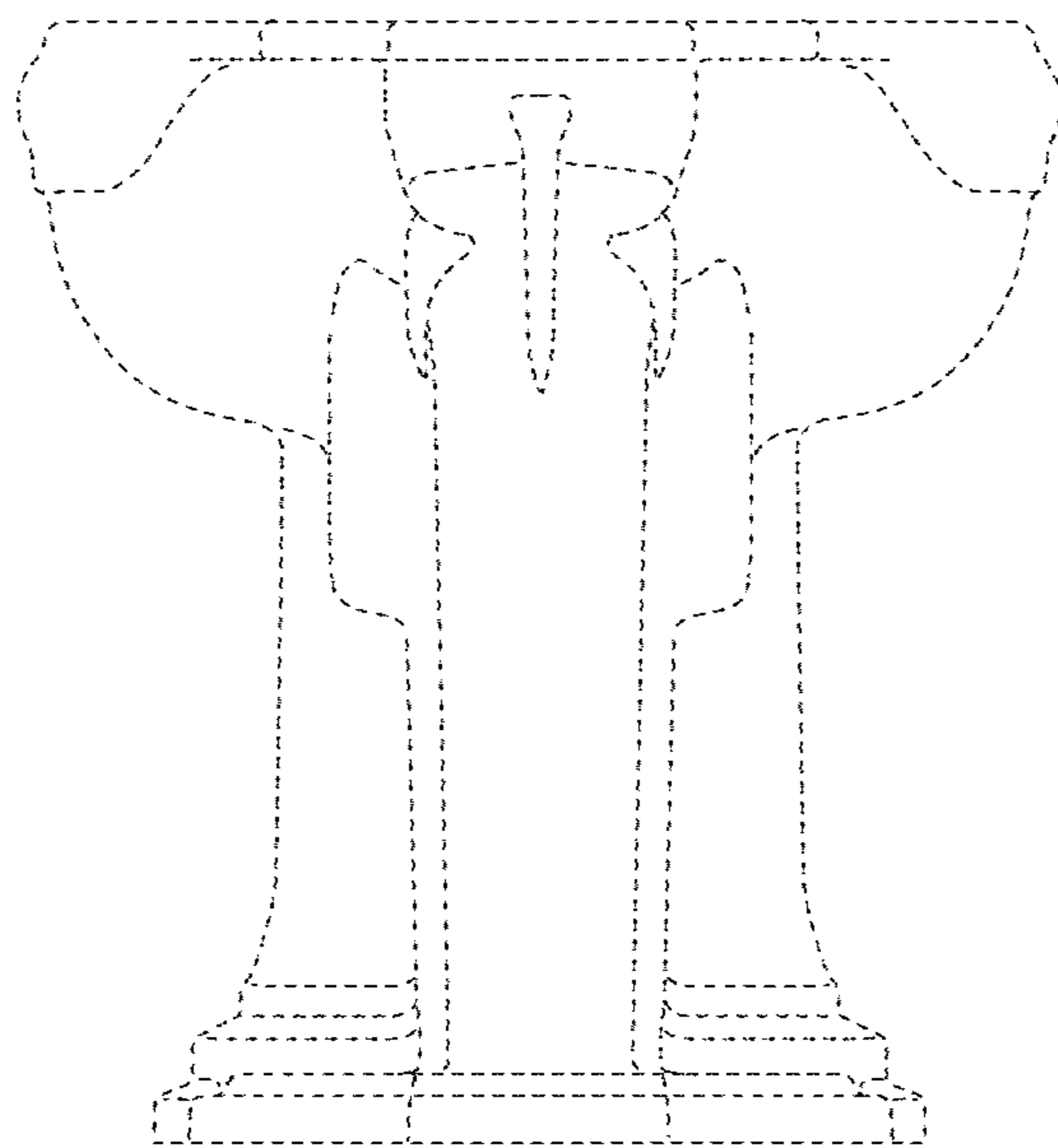


FIG. 5

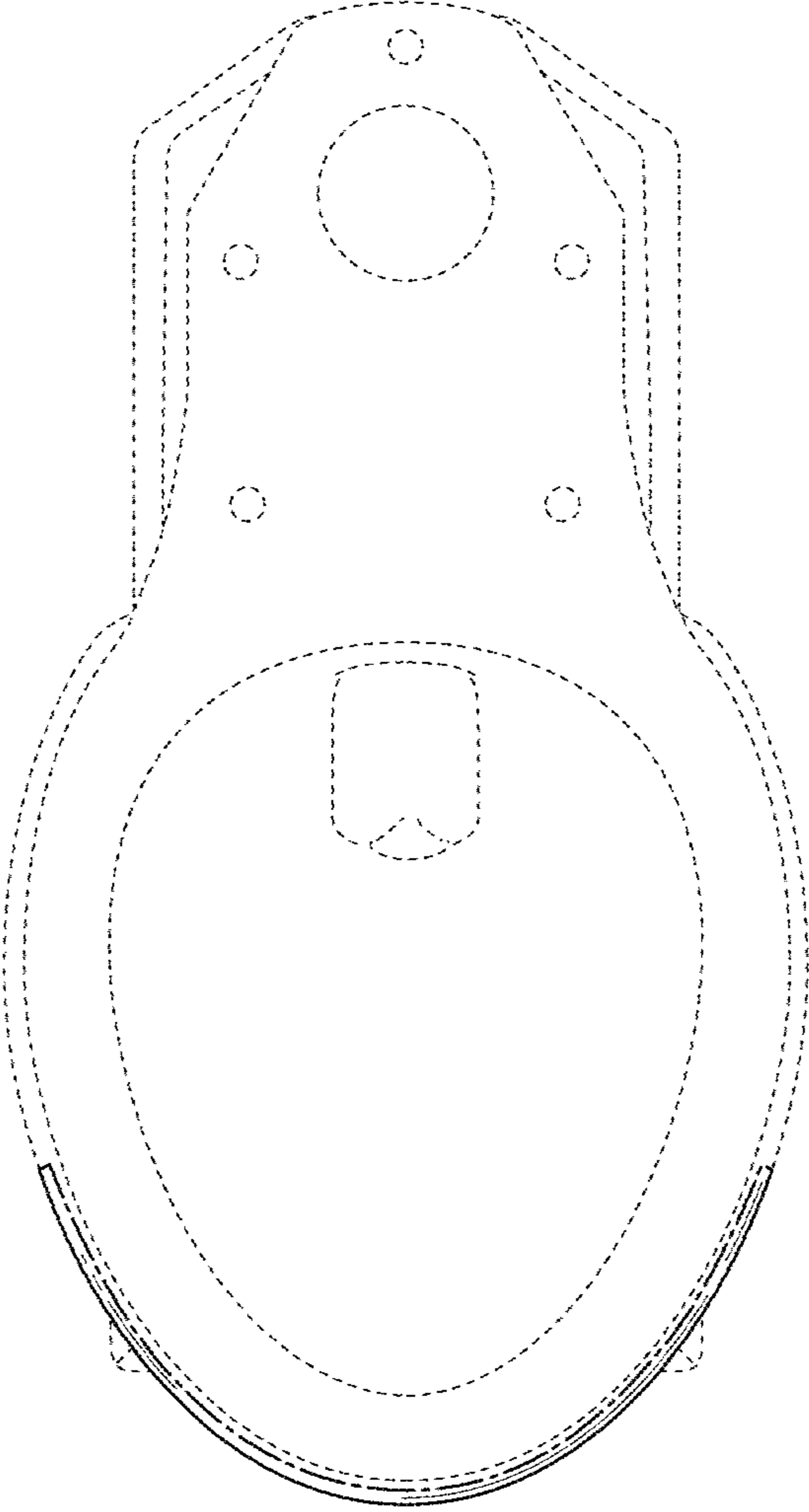


FIG. 6

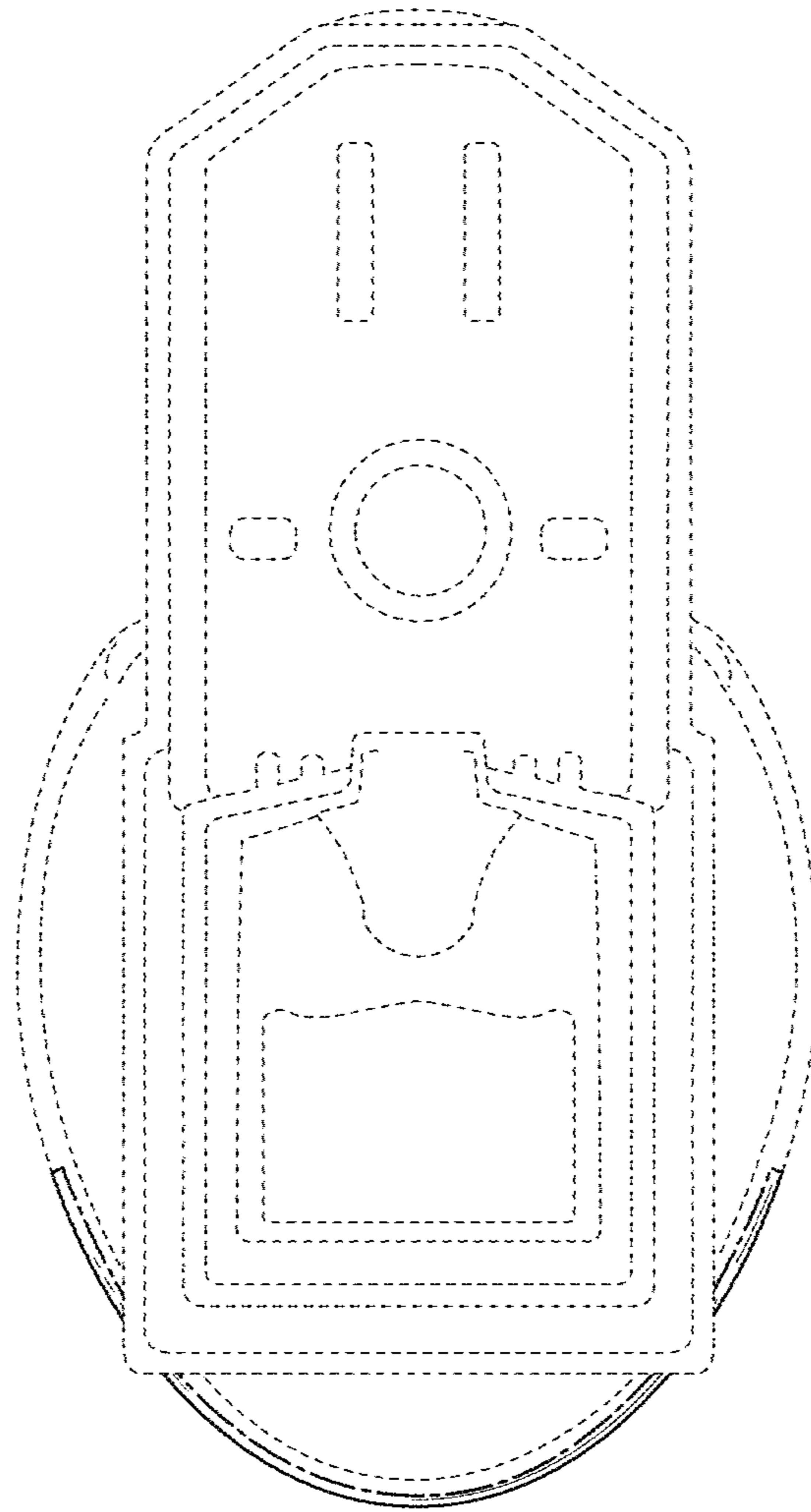


FIG. 7