



US00D767744S

(12) **United States Design Patent** (10) **Patent No.:** **US D767,744 S**
Goad (45) **Date of Patent:** **** Sep. 27, 2016**

(54) **TOILET**
(71) Applicant: **Kohler Co.**, Kohler, WI (US)
(72) Inventor: **Robin A. Goad**, Sheboygan, WI (US)
(73) Assignee: **KOHLER CO.**, Kohler, WI (US)
(**) Term: **15 Years**

D536,428 S 2/2007 Kohler, Jr. et al.
D536,771 S 2/2007 Chenesseau
D647,184 S 10/2011 Bates
D657,852 S 4/2012 Vanderheyden et al.
D670,368 S 11/2012 Vanderheyden et al.
D688,356 S 8/2013 Mendoza
D710,979 S 8/2014 Spangler

(21) Appl. No.: **29/553,395**
(22) Filed: **Feb. 1, 2016**

Related U.S. Application Data

(62) Division of application No. 29/517,725, filed on Feb. 16, 2015.
(51) **LOC (10) Cl.** **23-02**
(52) **U.S. Cl.**
USPC **D23/309**
(58) **Field of Classification Search**
USPC D23/295, 301, 303, 309, 313
CPC E03D 1/00; E03D 1/01; E03D 11/02
See application file for complete search history.

(56) **References Cited**

U.S. PATENT DOCUMENTS

D268,779 S 4/1983 Doman
D332,137 S 12/1992 Kohler, Jr. et al.
D387,858 S 12/1997 McKeone
D415,563 S 10/1999 McKeone
D441,437 S 5/2001 McKeone
D444,864 S 7/2001 McKeone
D451,175 S 11/2001 Smith
D455,822 S 4/2002 McKeone
D484,579 S 12/2003 Bennie
D496,442 S 9/2004 Bates
D496,443 S 9/2004 Bates

OTHER PUBLICATIONS

Kohler 2014 Fixtures Price Book, pp. 314-336.

Primary Examiner — Robert Delehanty

(74) *Attorney, Agent, or Firm* — Foley & Lardner LLP

(57) **CLAIM**

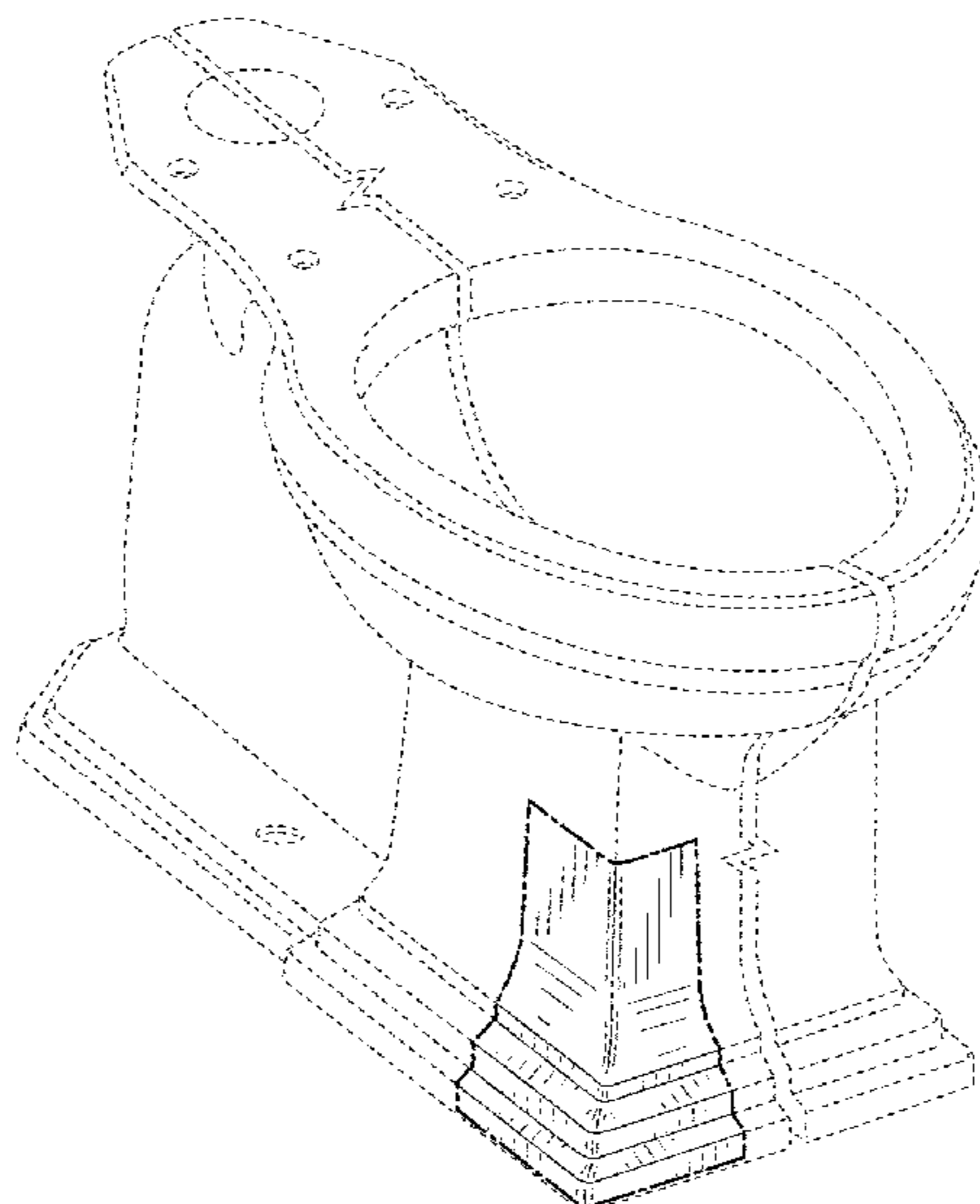
I claim the ornamental design for a toilet, as shown and described.

DESCRIPTION

FIG. 1 is a perspective view of an embodiment of the claimed design;
FIG. 2 is a side view of the embodiment of FIG. 1;
FIG. 3 is another side view of the embodiment of FIG. 1;
FIG. 4 is a front view of the embodiment of FIG. 1;
FIG. 5 is a rear view of the embodiment of FIG. 1;
FIG. 6 is a top view of the embodiment of FIG. 1; and,
FIG. 7 is a bottom view of the embodiment of FIG. 1.

The ornamental design that is claimed is shown in the drawings as solid lines and surfaces having surface shading. The broken lines in the drawings are for illustrative purposes only and form no part of the claimed design. For example, broken lines formed by equal length dashes show unclaimed portions of the design. Broken lines formed of unequal length dashes (i.e., dash-dot) show boundaries between claimed and unclaimed portions of the design. Break lines having a jagged element are not part of the claimed design and show that differing lengths of the portion are possible.

1 Claim, 7 Drawing Sheets



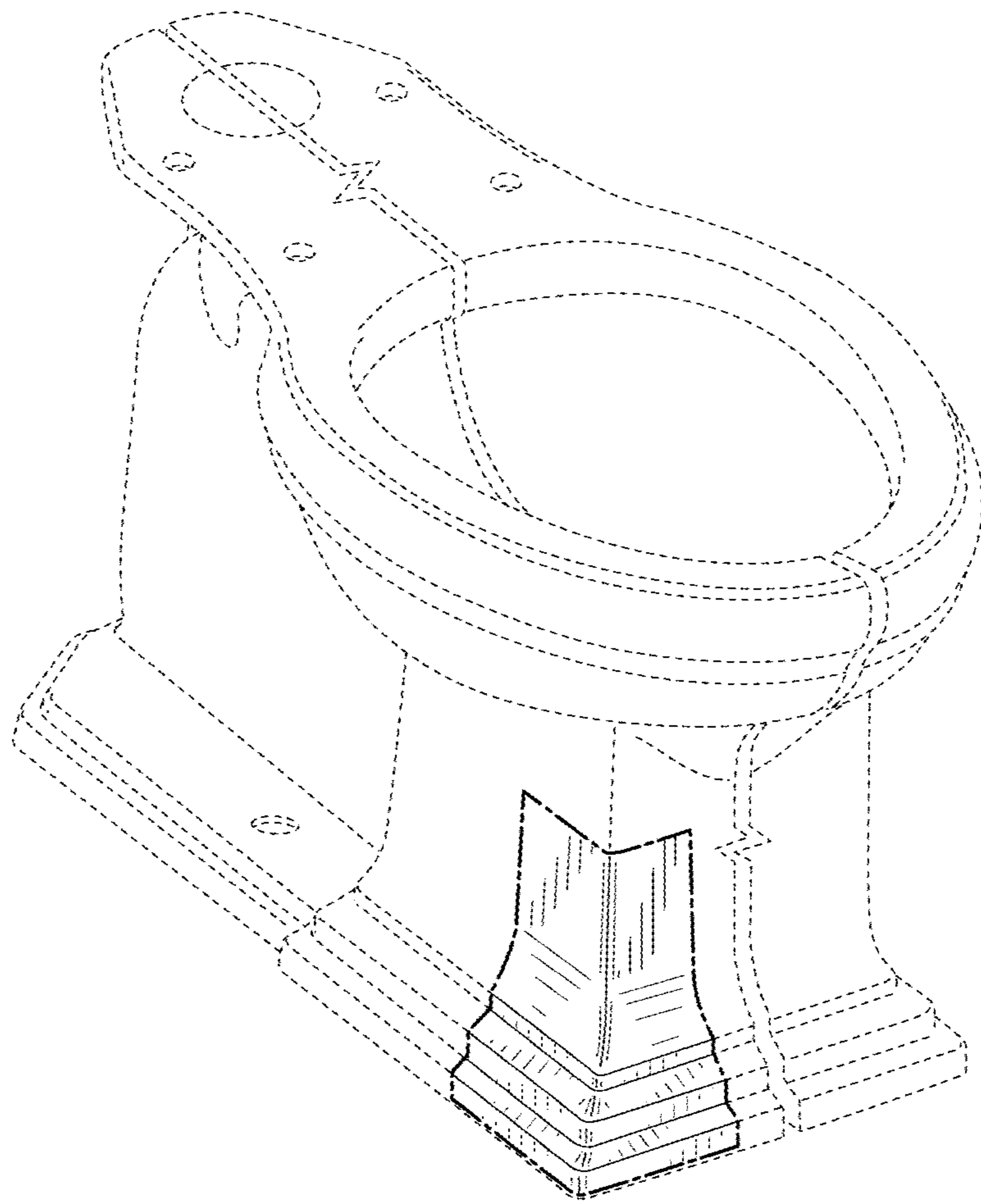


FIG. 1

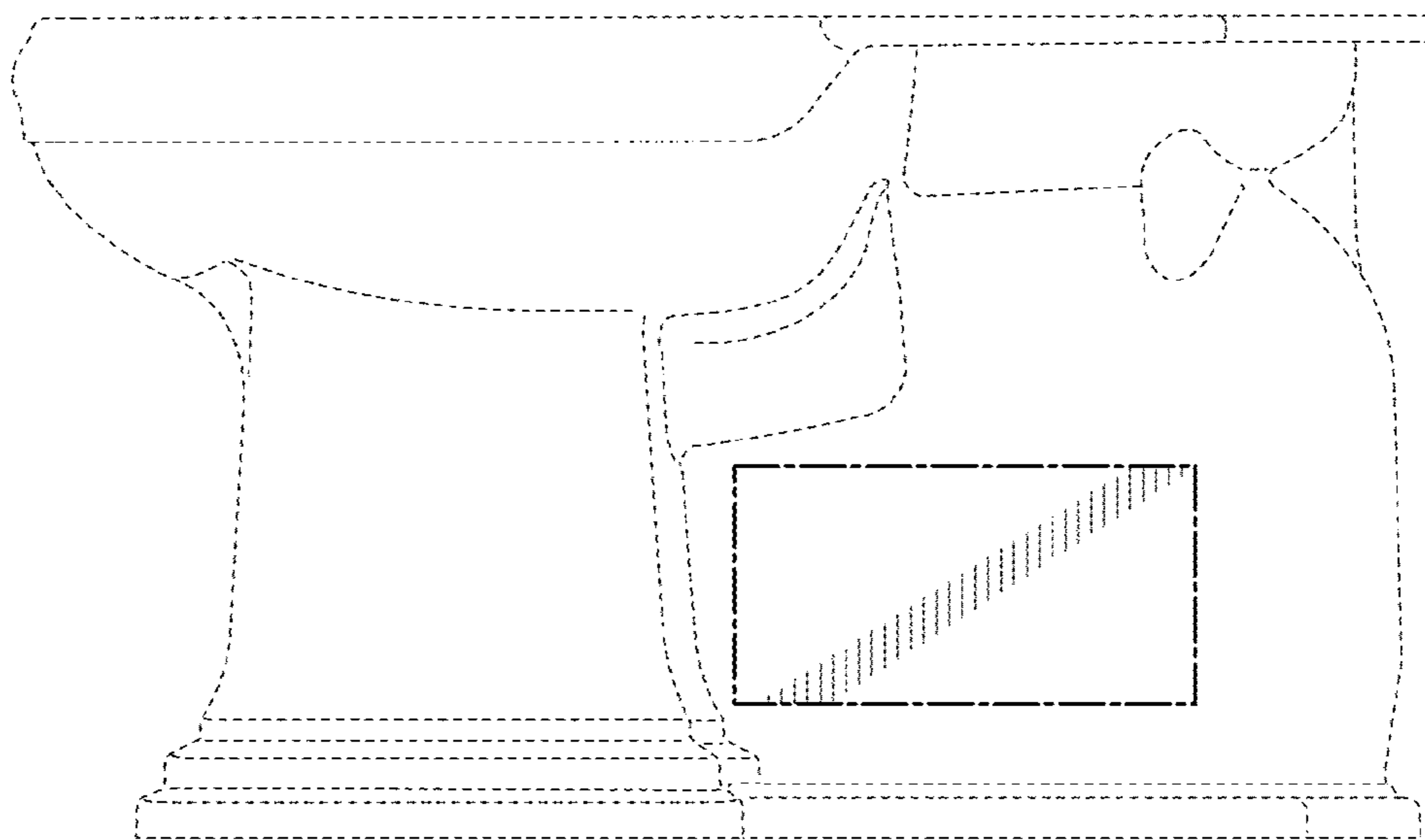


FIG. 2

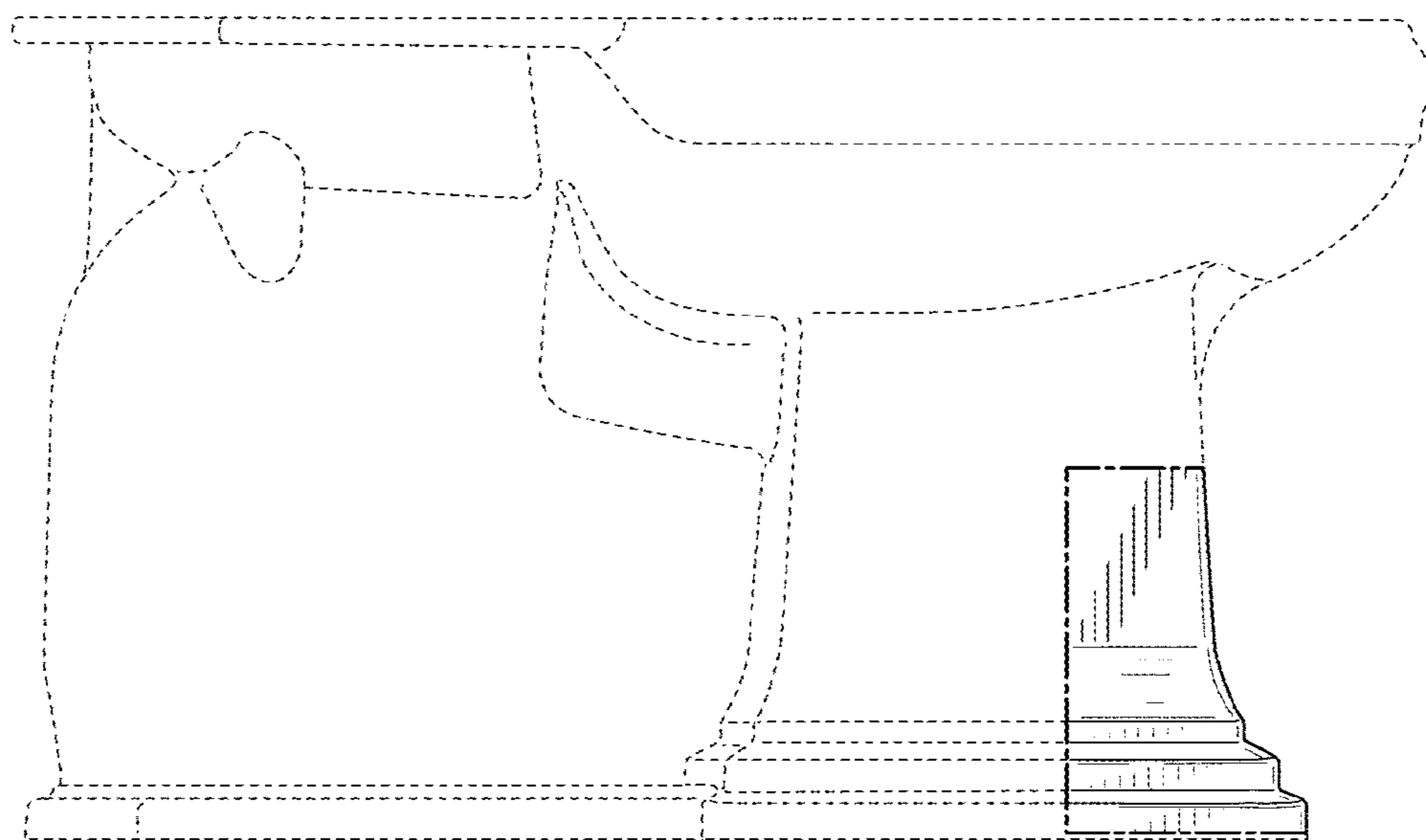


FIG. 3

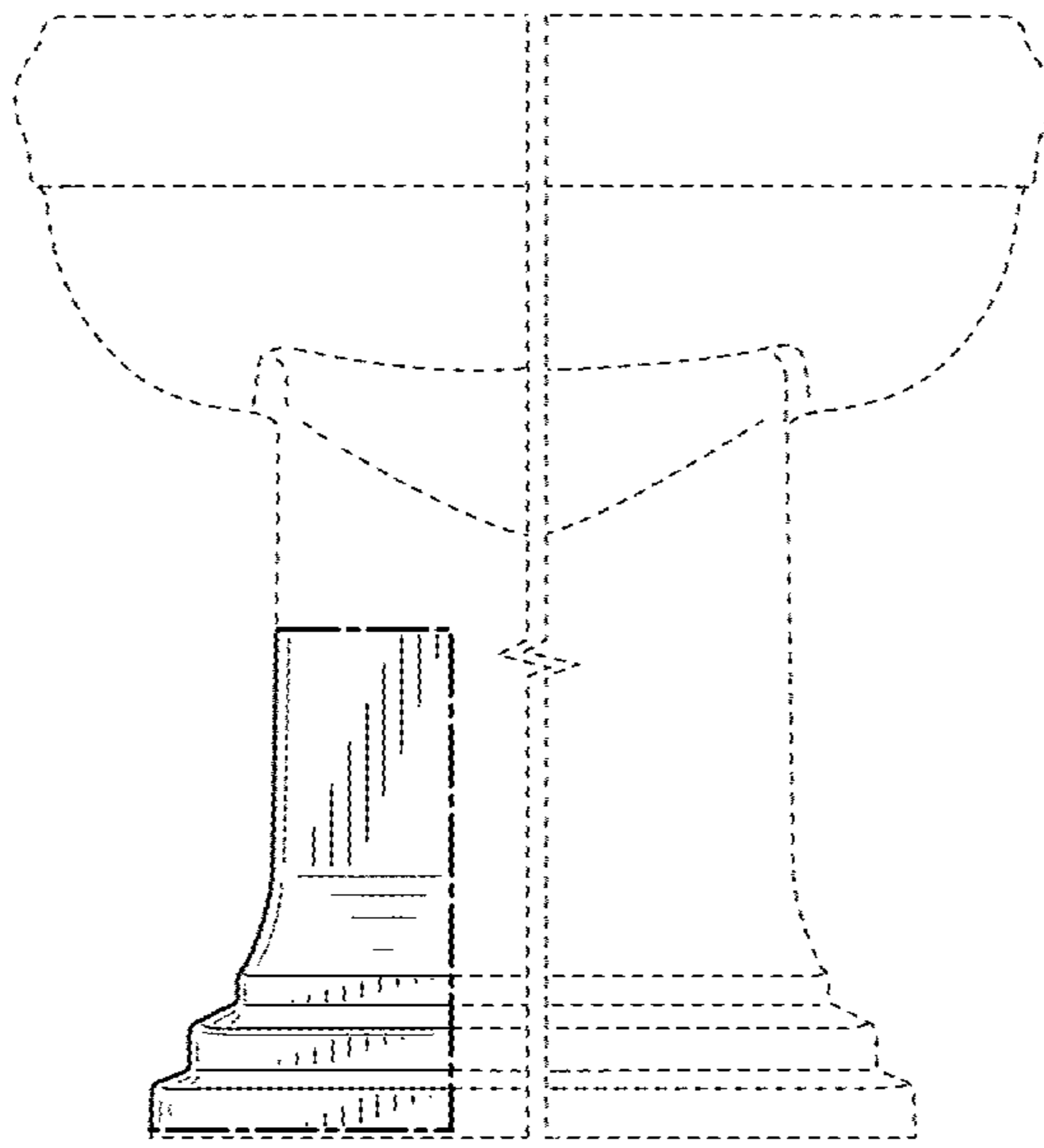


FIG. 4

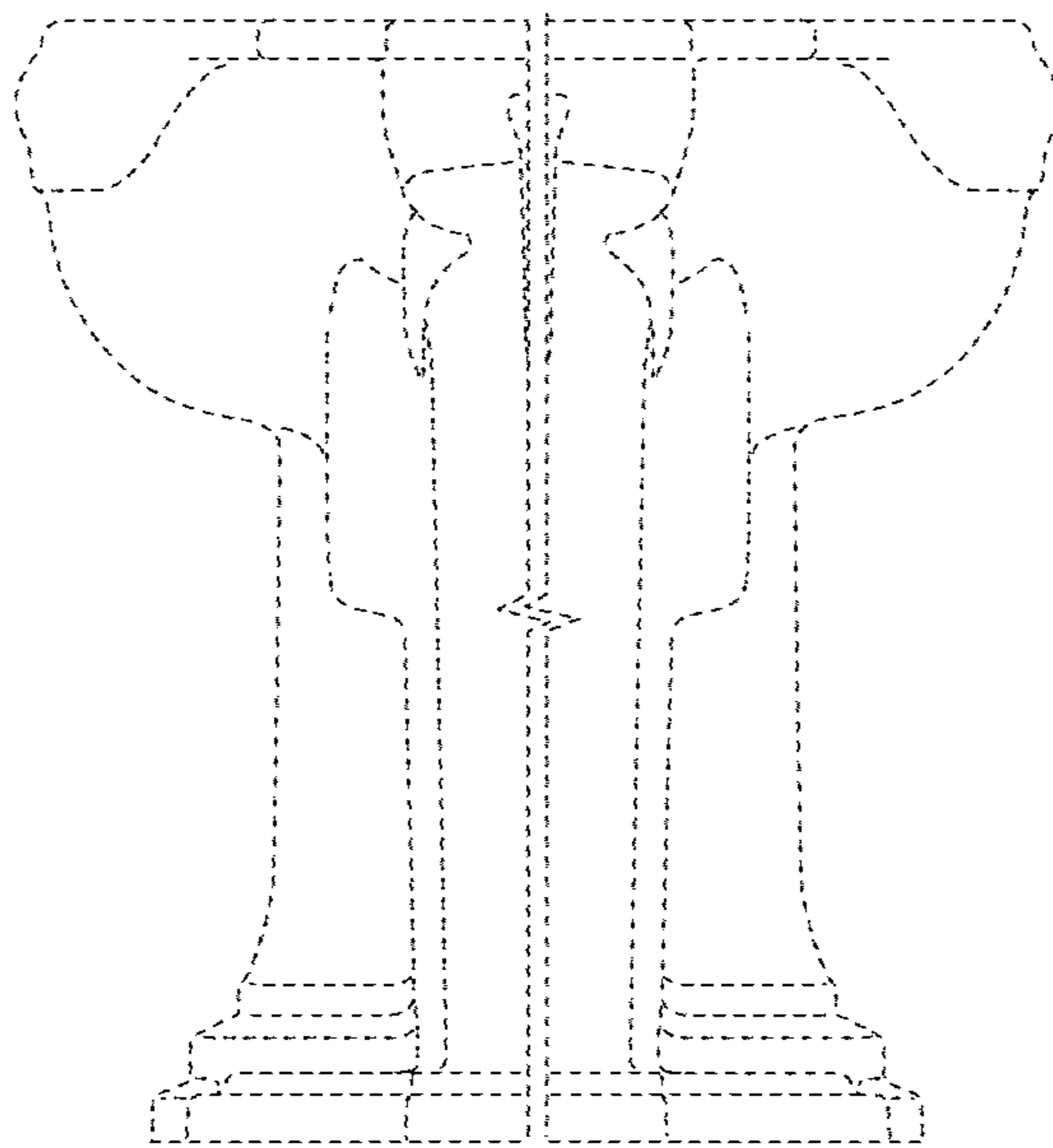


FIG. 5

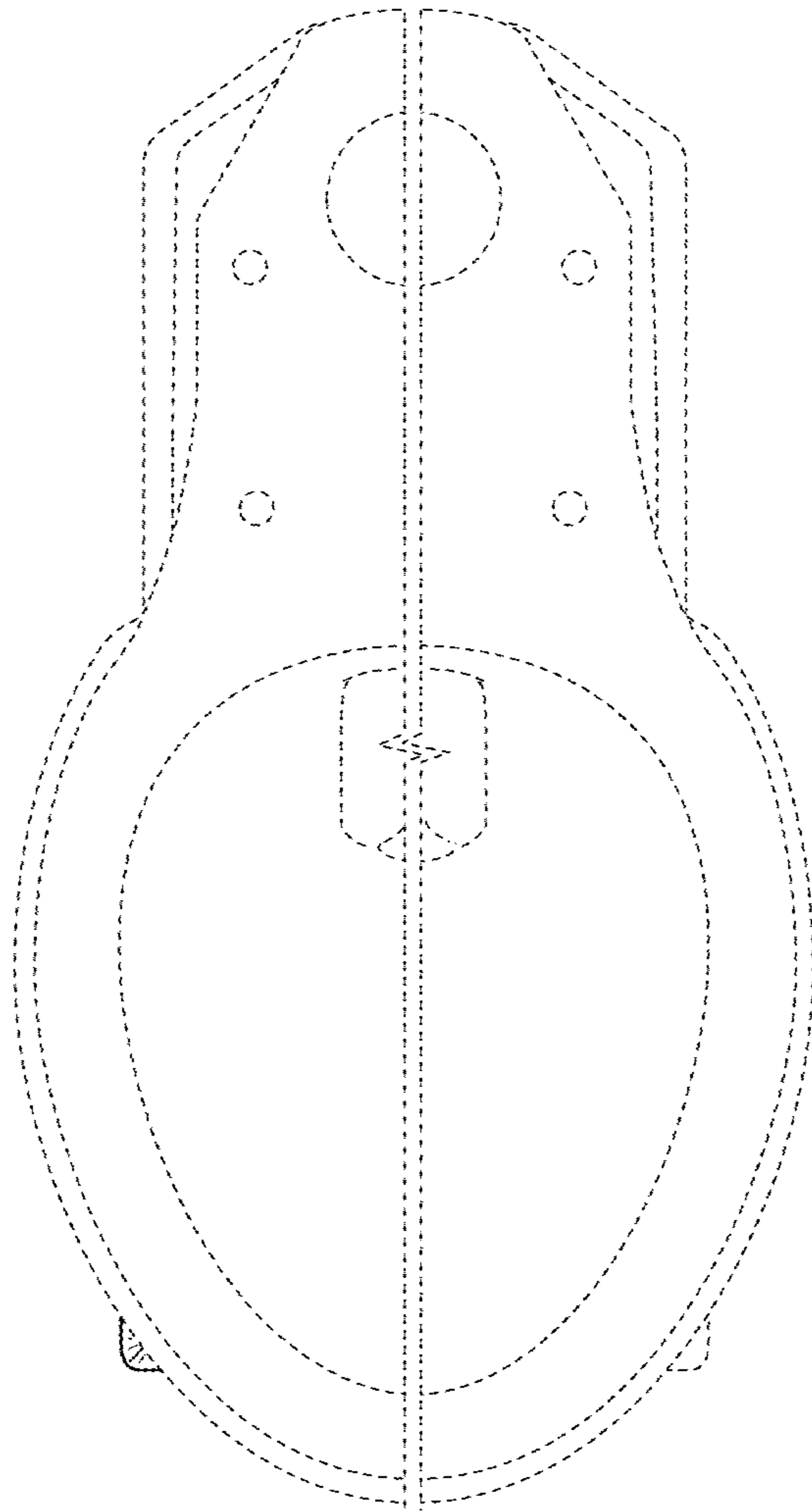


FIG. 6

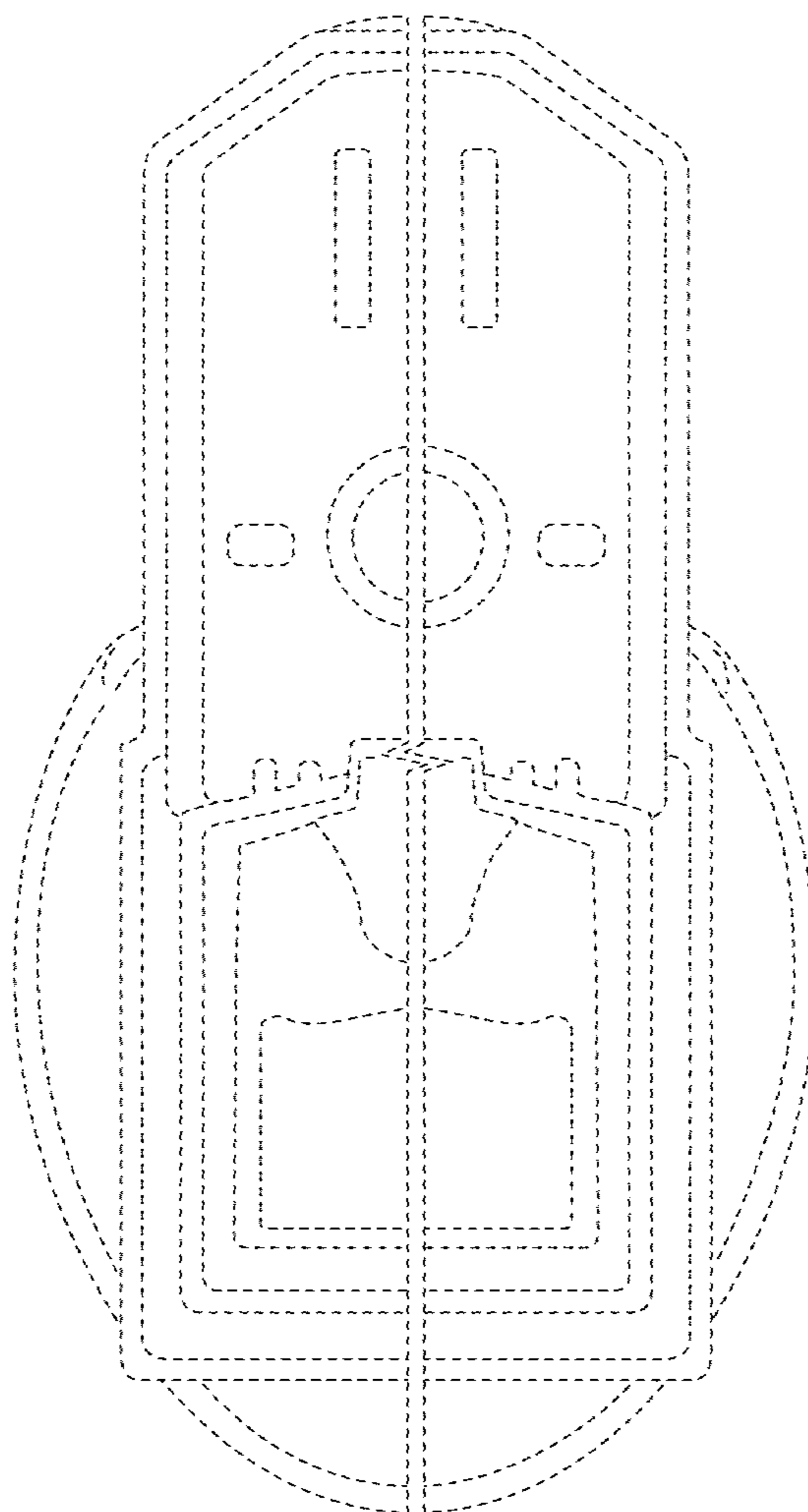


FIG. 7