



US00D767740S

(12) **United States Design Patent**  
**Lilly et al.**

(10) **Patent No.:** **US D767,740 S**

(45) **Date of Patent:** **\*\* Sep. 27, 2016**

(54) **SINK**

D678,990 S 3/2013 Eilmus  
D680,631 S 4/2013 Eilmus  
D680,632 S 4/2013 Eilmus  
RE45,624 E \* 7/2015 Eilmus ..... D23/290

(71) Applicant: **Kohler Co.**, Kohler, WI (US)

(72) Inventors: **Thomas Lilly**, Kohler, WI (US);  
**Terrence K. Mahon**, Whitefish Bay,  
WI (US)

(73) Assignee: **KOHLER CO.**, Kohler, WI (US)

(\*\*) Term: **15 Years**

(21) Appl. No.: **29/536,274**

(22) Filed: **Aug. 14, 2015**

(51) **LOC (10) Cl.** ..... **23-01**

(52) **U.S. Cl.**  
USPC ..... **D23/290**

(58) **Field of Classification Search**  
USPC ..... D23/284, 286, 287, 290, 303, 308  
CPC ..... A47K 1/02; A47L 17/02; A47L 19/02;  
E03C 1/14; E03C 1/18; E03C 1/182; E03C  
1/186

See application file for complete search history.

(56) **References Cited**

**U.S. PATENT DOCUMENTS**

D464,123 S 10/2002 Paredes  
D464,125 S 10/2002 Bayer  
D464,126 S 10/2002 Bayer  
D495,037 S \* 8/2004 Ziemann ..... D23/290  
D520,125 S 5/2006 Paredes  
D549,806 S \* 8/2007 Taylor ..... D23/284

**OTHER PUBLICATIONS**

U.S. Appl. No. 29/514,952, filed Jan. 19, 2015, Lilly.  
U.S. Appl. No. 29/521,960, filed Mar. 26, 2015, Eilmus.

\* cited by examiner

*Primary Examiner* — Robert Delehanty

(74) *Attorney, Agent, or Firm* — Foley & Lardner LLP

(57) **CLAIM**

We claim the ornamental design for a sink, as shown and described.

**DESCRIPTION**

FIG. 1 is a perspective view of an embodiment of the claimed design;

FIG. 2 is a top view thereof;

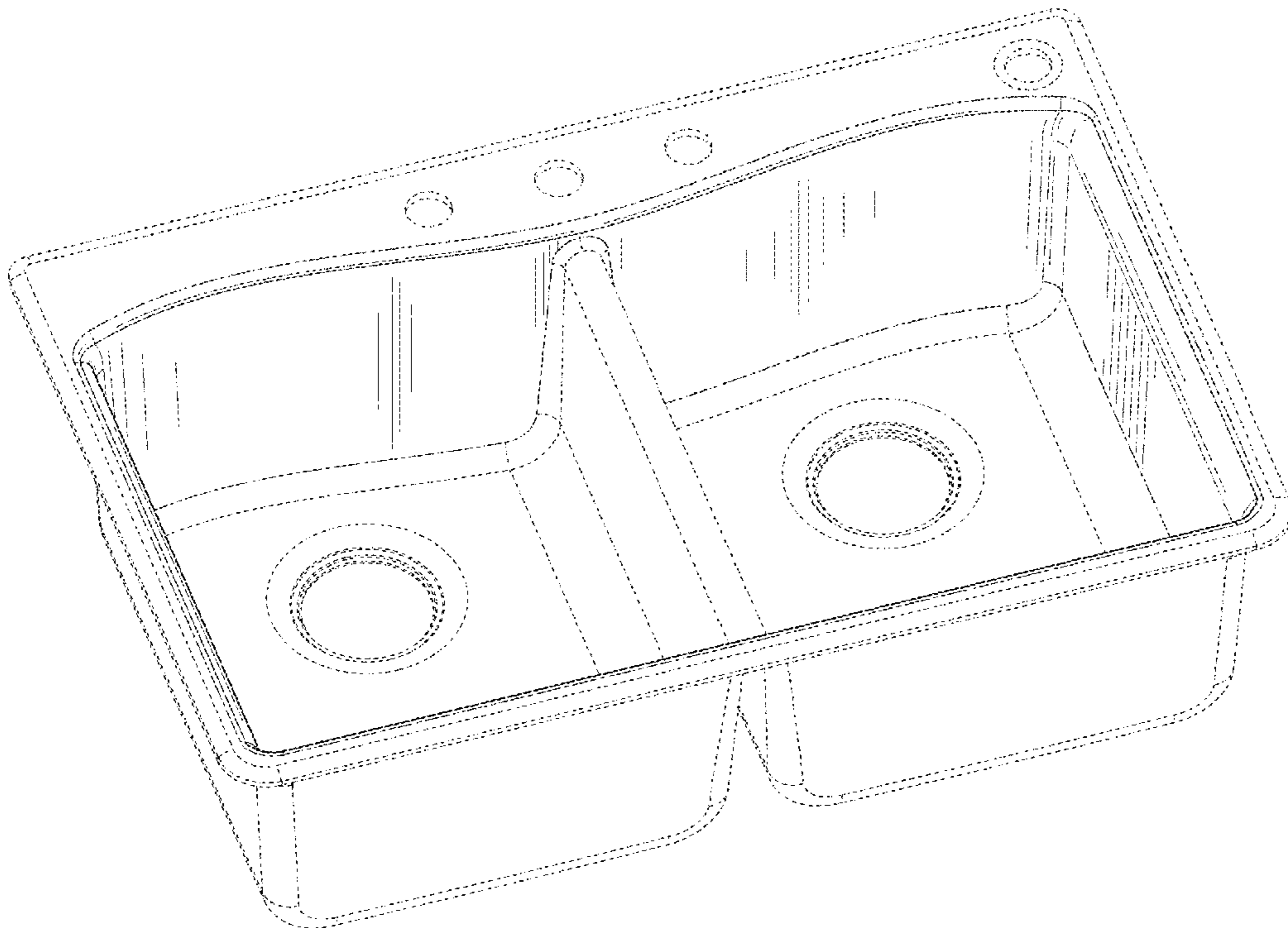
FIG. 3 is a bottom view thereof;

FIG. 4 is a front view thereof; and,

FIG. 5 is a side view thereof.

The ornamental design which is claimed is shown in solid lines in the drawings. The broken lines in the drawings form no part of the claimed design. Broken lines formed by equal length dashes show unclaimed subject matter. Broken lines formed of unequal length dashes (i.e., dash-dot) define bounds of the claimed design. Broken away symbols having a jagged element show that no particular length of the portion is claimed.

**1 Claim, 5 Drawing Sheets**



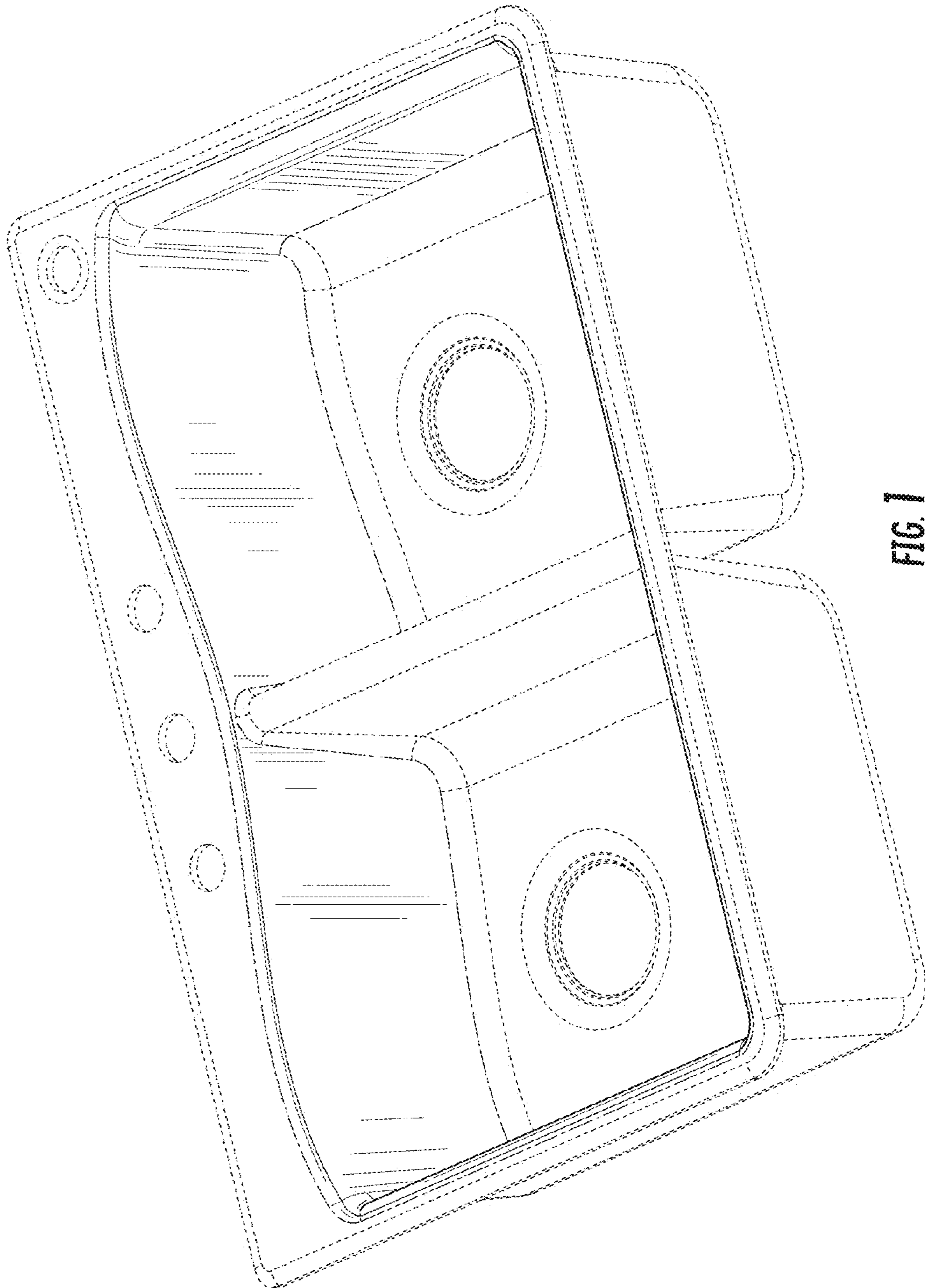


FIG. 1

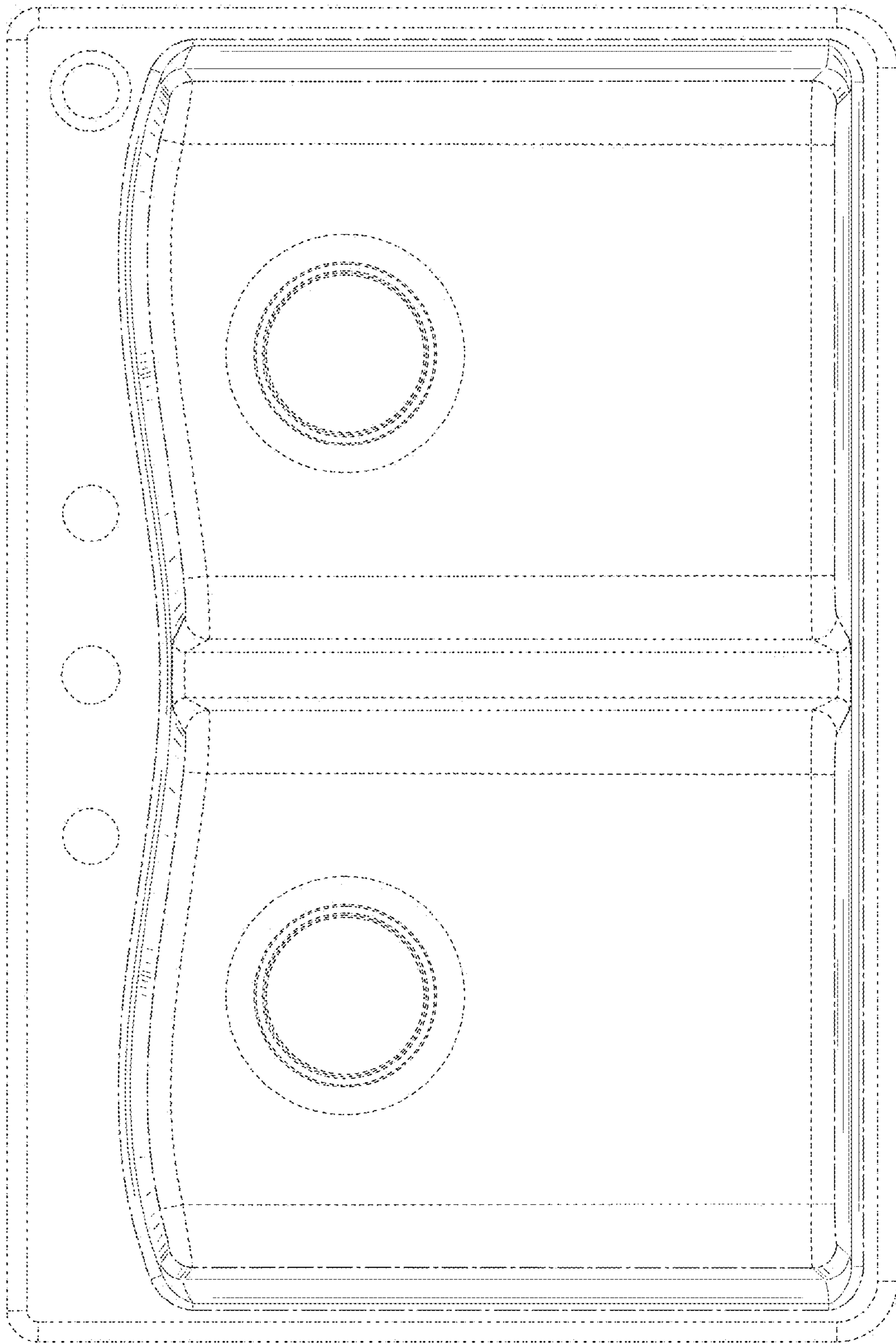


FIG. 2

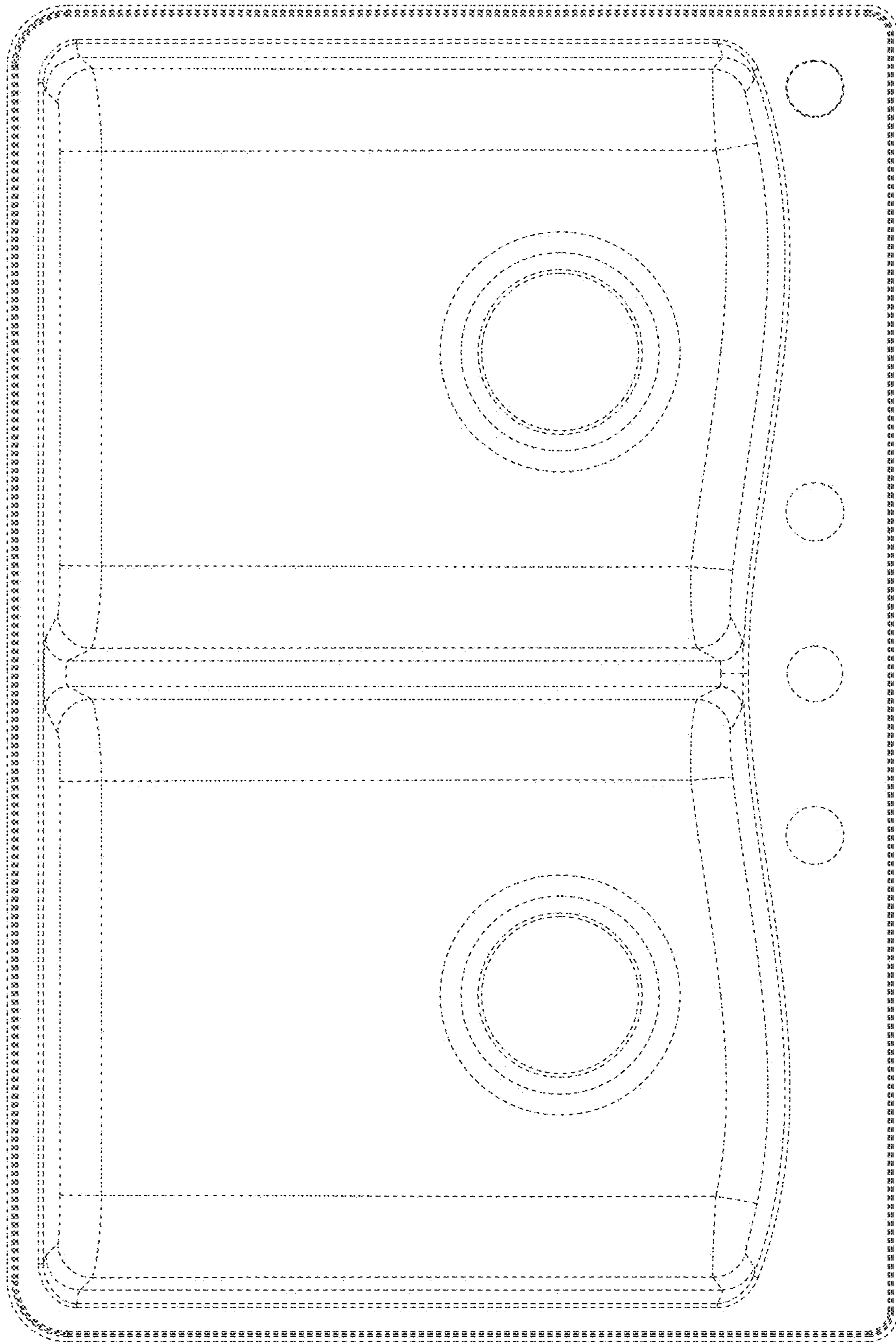


FIG. 3

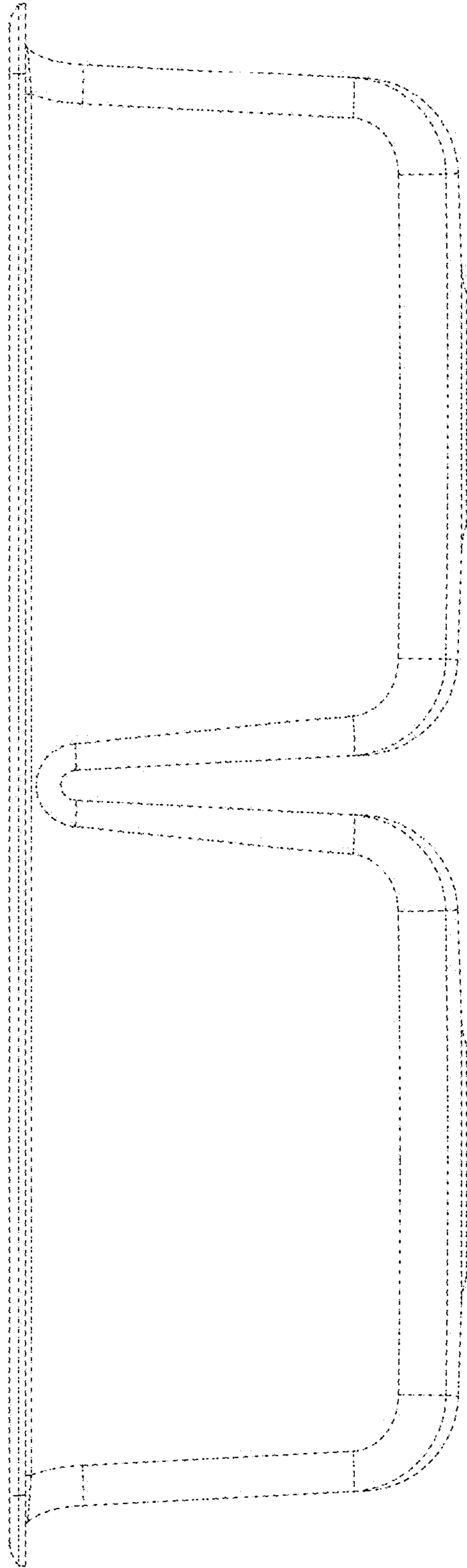
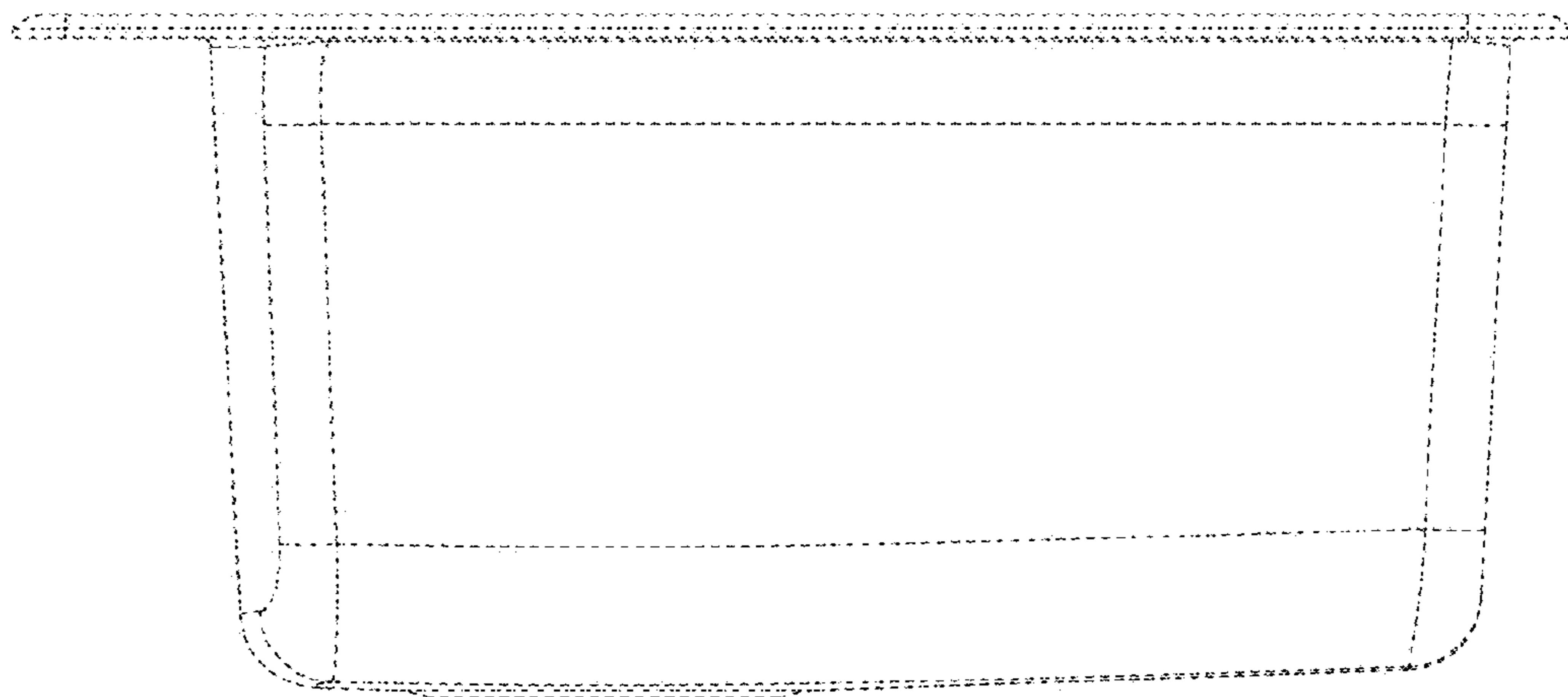


FIG. 4



**FIG. 5**