



US00D767739S

(12) **United States Design Patent** (10) **Patent No.:** **US D767,739 S**  
**Höfle** (45) **Date of Patent:** **\*\* Sep. 27, 2016**

(54) **SINK**

(71) Applicant: **BLANCO GmbH + Co KG,**  
Oberderdingen (DE)

(72) Inventor: **Ulrich Höfle,** Kürnbach (DE)

(73) Assignee: **BLANCO GmbH + Co KG,**  
Oberderdingen (DE)

(\*\*) Term: **15 Years**

(21) Appl. No.: **29/532,980**

(22) Filed: **Jul. 13, 2015**

(30) **Foreign Application Priority Data**

Jan. 14, 2015 (EM) ..... 002613299-0007

(51) **LOC (10) Cl.** ..... **23-02**

(52) **U.S. Cl.**  
USPC ..... **D23/287**

(58) **Field of Classification Search**  
USPC ..... D23/284, 286–287, 290, 293.1  
CPC ..... A47K 1/02; A47L 17/02; A47L 19/02  
See application file for complete search history.

(56) **References Cited**

U.S. PATENT DOCUMENTS

D499,801 S \* 12/2004 Soulier ..... D23/287  
D520,611 S \* 5/2006 Wozniczka ..... D23/287  
D593,648 S \* 6/2009 Ziemann ..... D23/284

\* cited by examiner

*Primary Examiner* — Robert Delehanty

(74) *Attorney, Agent, or Firm* — Hanley, Flight & Zimmerman, LLC

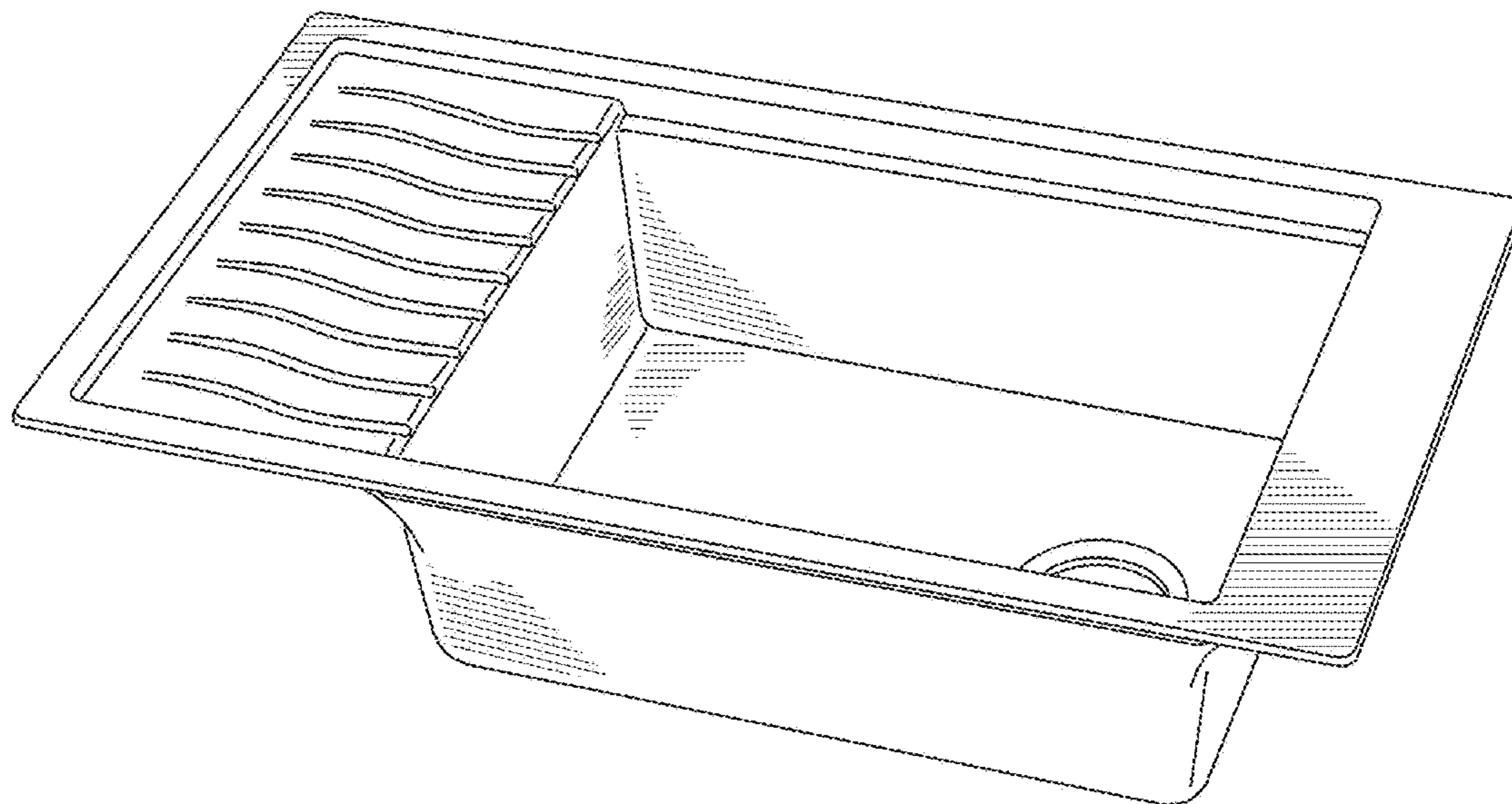
(57) **CLAIM**

The ornamental design for a “sink”, as shown and described.

**DESCRIPTION**

FIG. 1 is a perspective view of a sink.  
FIG. 2 is a top plan view of the sink of FIG. 1.  
FIG. 3 is a front view of the sink of FIG. 1.  
FIG. 4 is a rear view of the sink of FIG. 1.  
FIG. 5 is a left side view of the sink of FIG. 1; and,  
FIG. 6 is a right side view of the sink of FIG. 1.

**1 Claim, 6 Drawing Sheets**



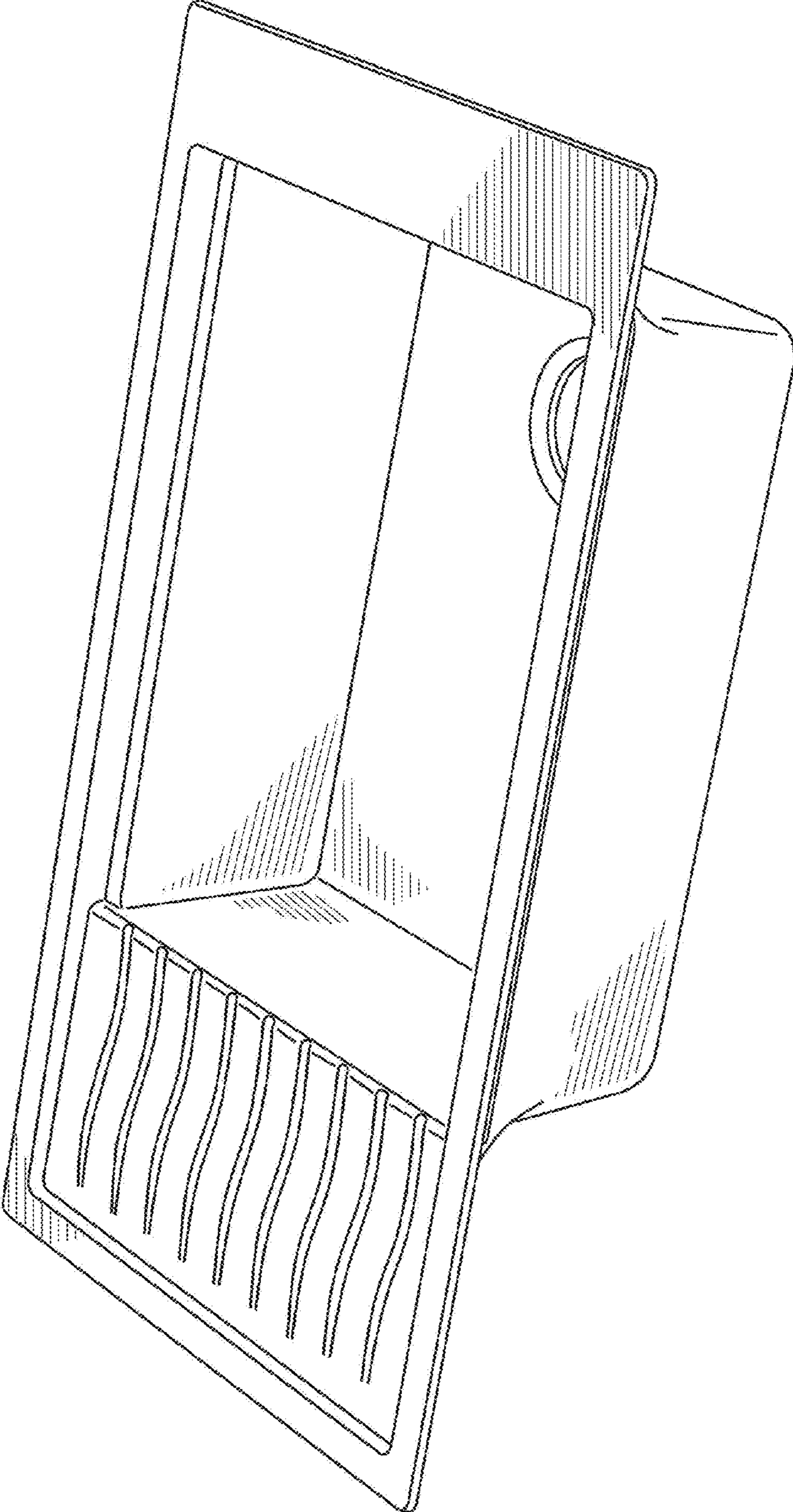
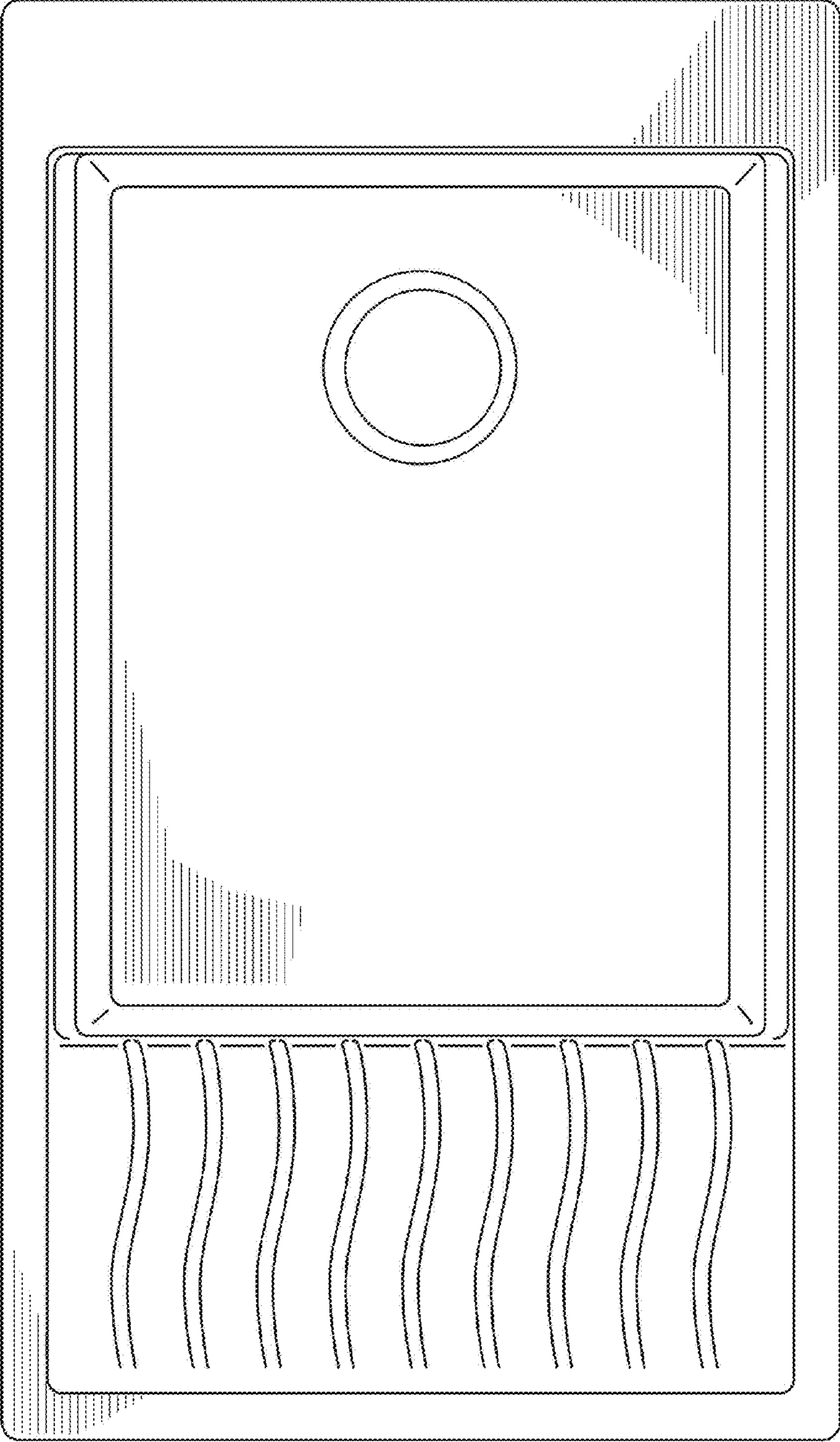


FIG. 1

FIG. 2



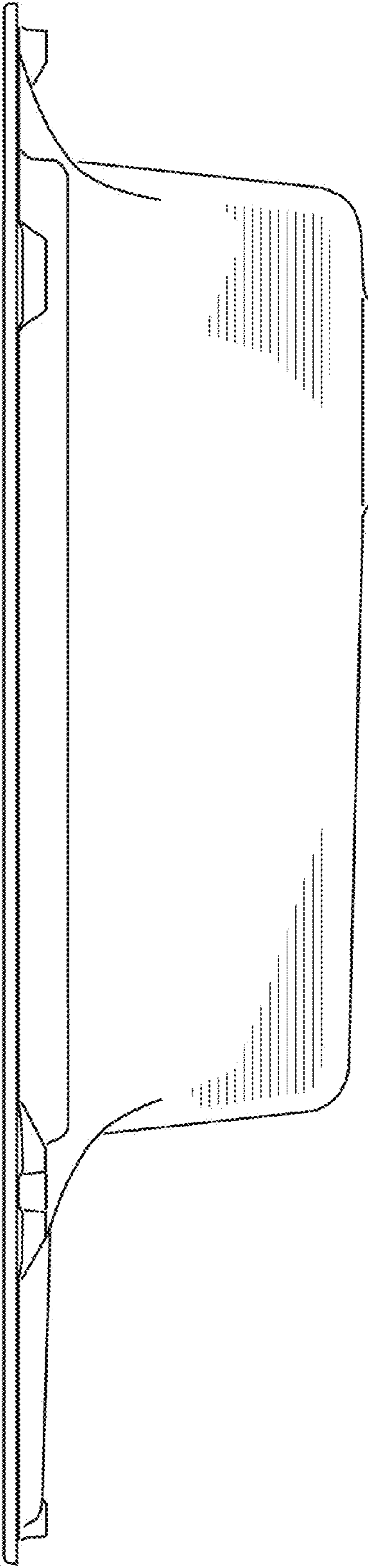


FIG. 3

FIG. 4

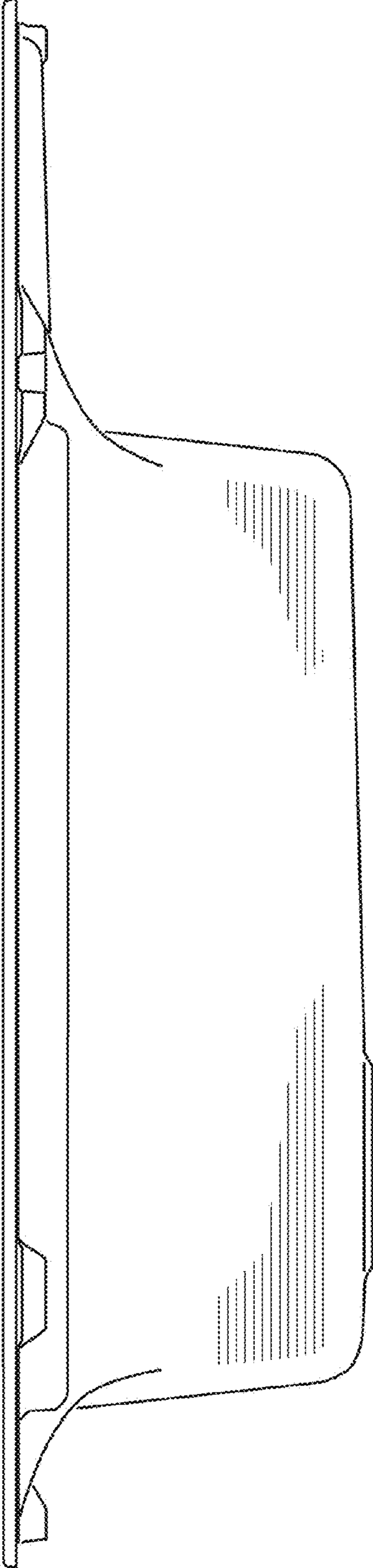


FIG. 5

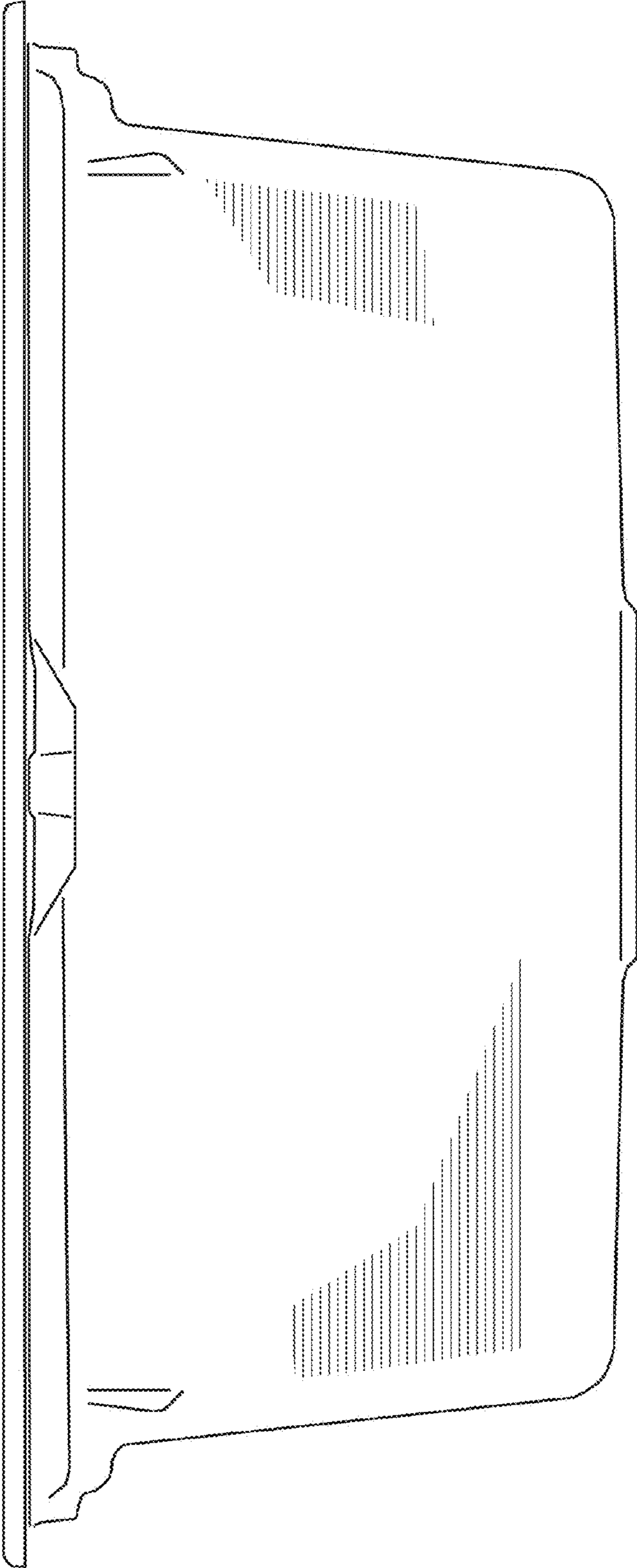


FIG. 6

