



US00D767738S

(12) **United States Design Patent**  
**Osterroth et al.**

(10) **Patent No.:** **US D767,738 S**

(45) **Date of Patent:** **\*\* Sep. 27, 2016**

(54) **SINK**

(71) Applicant: **BLANCO GmbH + Co KG**,  
Oberderdingen (DE)

(72) Inventors: **Michael Osterroth**, Waghäusel (DE);  
**Detlef Anton Schön**, Freiburg (DE)

(73) Assignee: **BLANCO GmbH + Co KG**,  
Oberderdingen (DE)

(\*\*) Term: **15 Years**

(21) Appl. No.: **29/534,253**

(22) Filed: **Jul. 27, 2015**

(51) **LOC (10) Cl.** ..... **23-02**

(52) **U.S. Cl.**  
USPC ..... **D23/284**

(58) **Field of Classification Search**  
USPC ..... D23/284, 286, 287, 288, 292, 293.1  
CPC ..... E03C 1/14; E03C 1/16; E03C 1/18;  
A47K 1/02; A47L 17/02; A47L 19/02  
See application file for complete search history.

(56) **References Cited**

**U.S. PATENT DOCUMENTS**

D36,995 S \* 6/1904 Gregg ..... D23/293.1  
D463,538 S \* 9/2002 Chipperfield ..... D23/284  
D494,665 S \* 8/2004 Herbeau ..... D23/293.1

D500,127 S \* 12/2004 Aubry ..... D23/293.1  
D546,428 S \* 7/2007 Mayer ..... D23/293.1  
D627,449 S \* 11/2010 Eckhaus ..... D23/308  
D685,458 S \* 7/2013 Eckhaus ..... D23/308

\* cited by examiner

*Primary Examiner* — Robert Delehanty

(74) *Attorney, Agent, or Firm* — Hanley, Flight &  
Zimmerman, LLC

(57) **CLAIM**

The ornamental design for a “sink,” as shown and described.

**DESCRIPTION**

FIG. 1 is a perspective view of the sink from above.

FIG. 2 is a top plan view of the sink of FIG. 1.

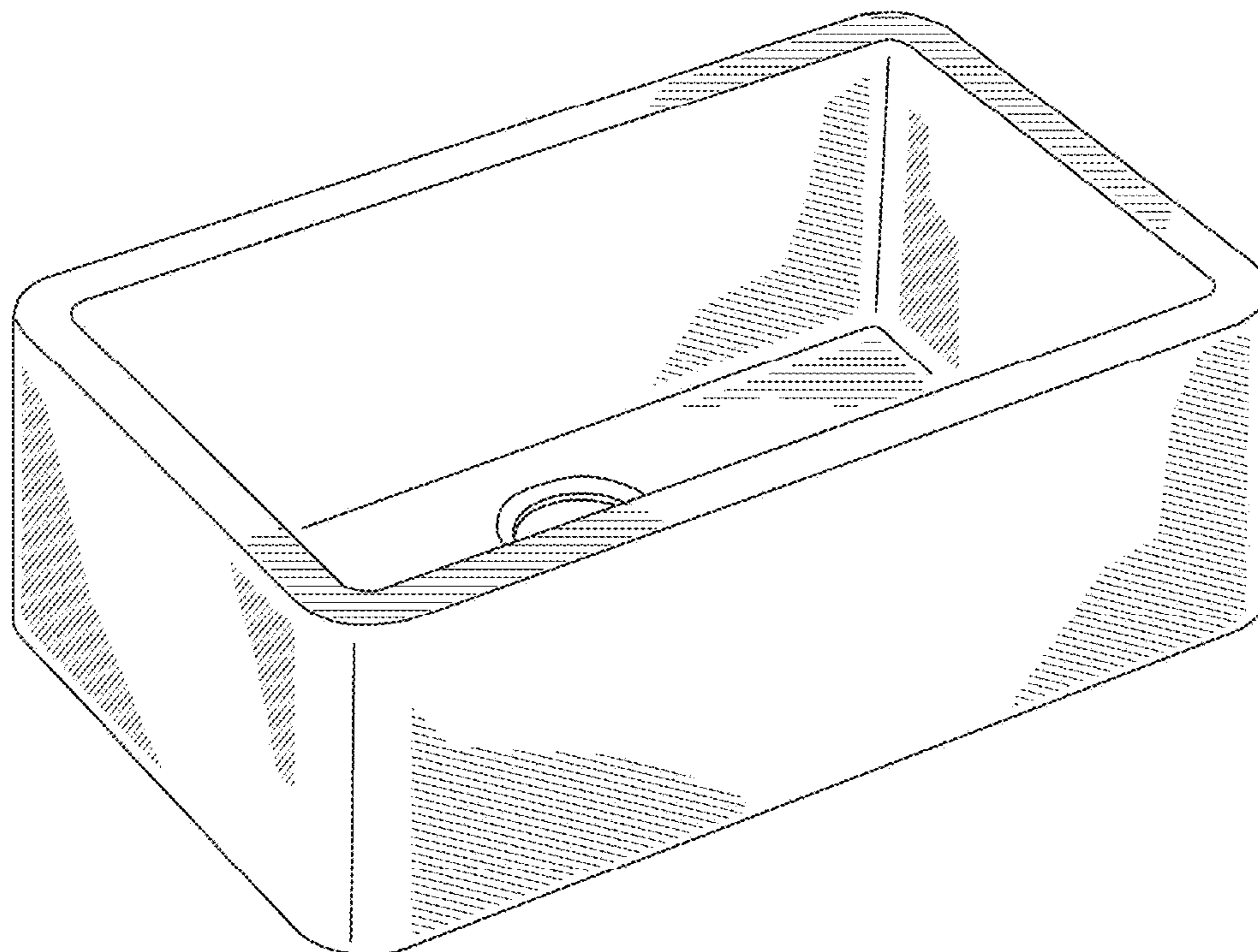
FIG. 3 is a front view of the sink of FIG. 1.

FIG. 4 is a rear view of the sink of FIG. 1.

FIG. 5 is a left side view of the sink of FIG. 1; and,

FIG. 6 is a right side view of the sink of FIG. 1.

**1 Claim, 6 Drawing Sheets**



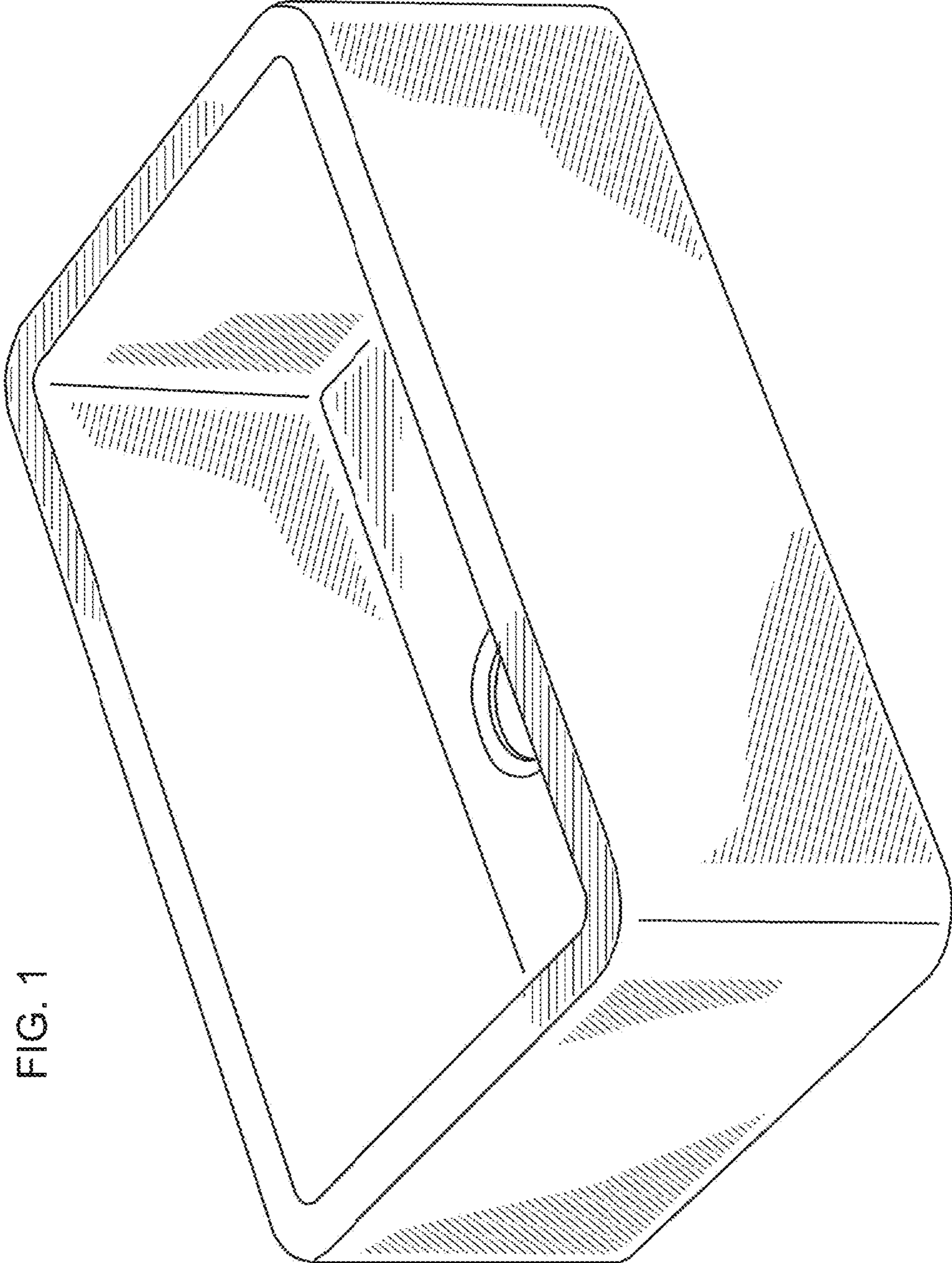


FIG. 1

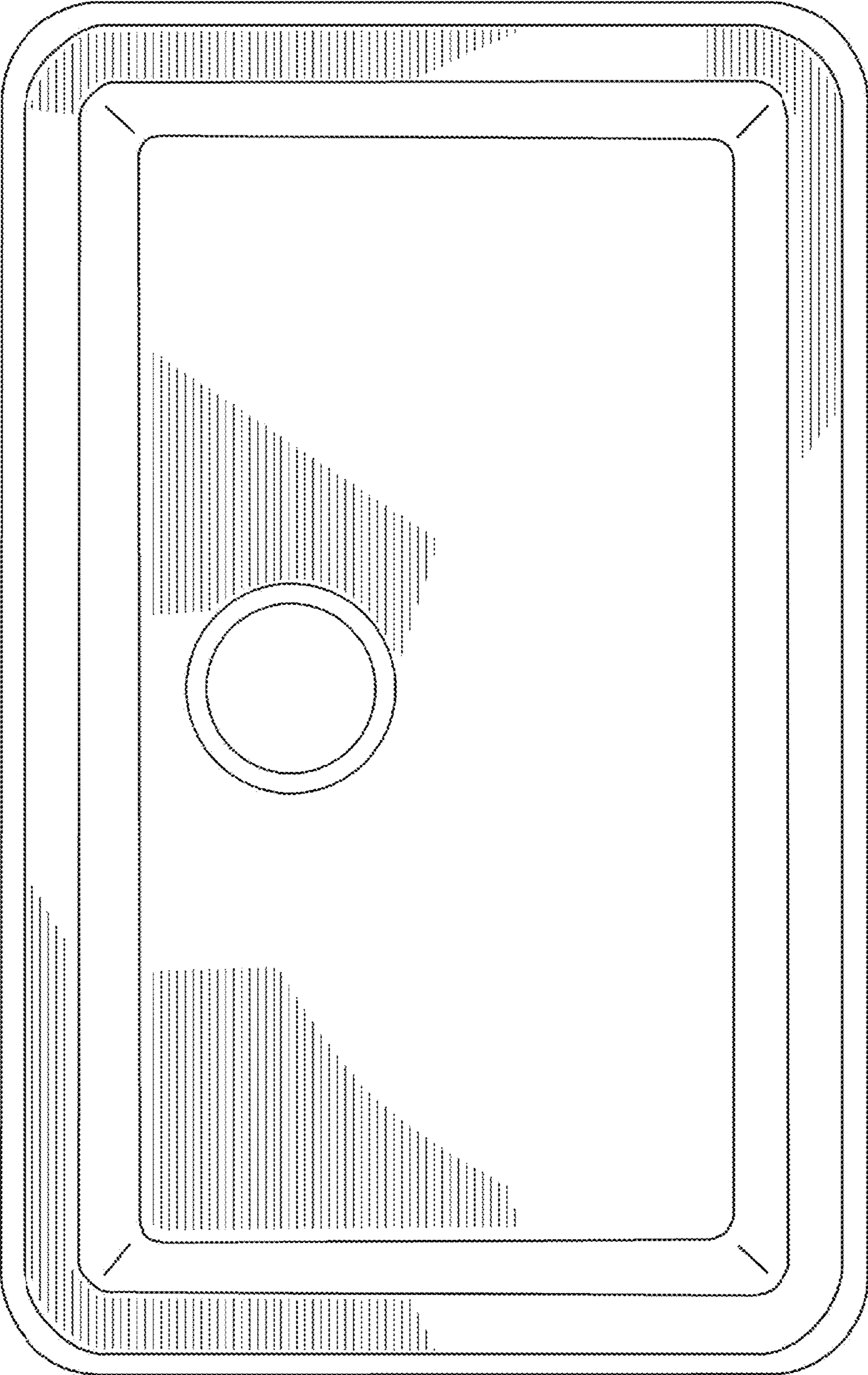


FIG. 2

FIG. 3

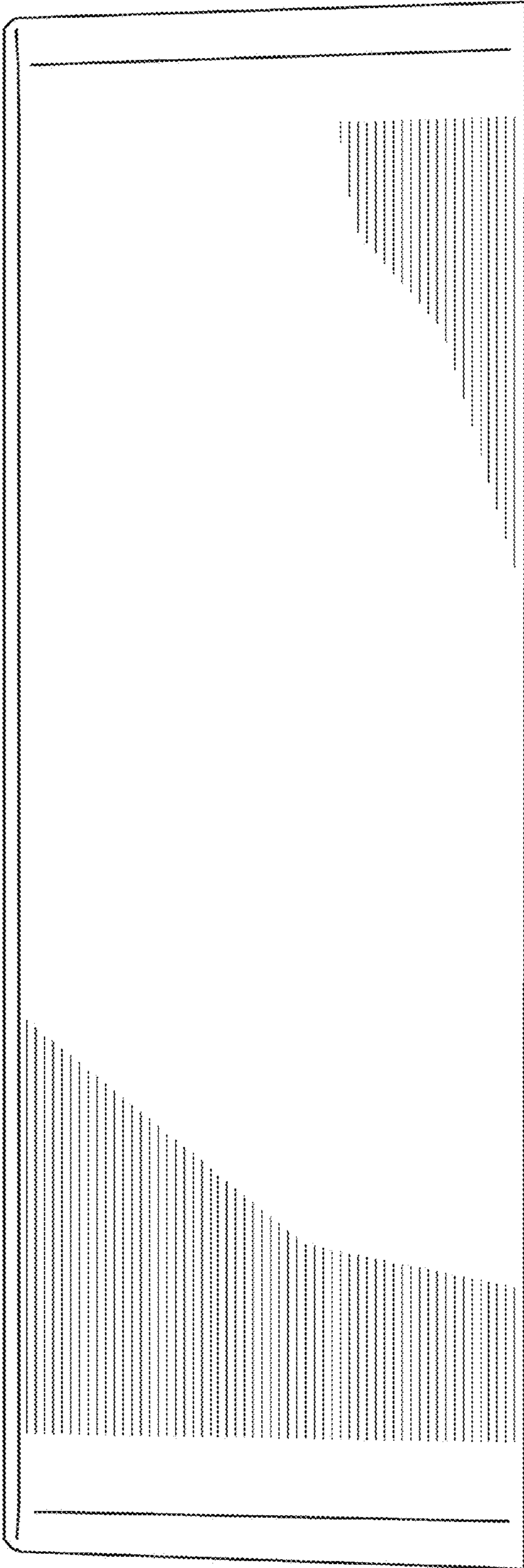


FIG. 4

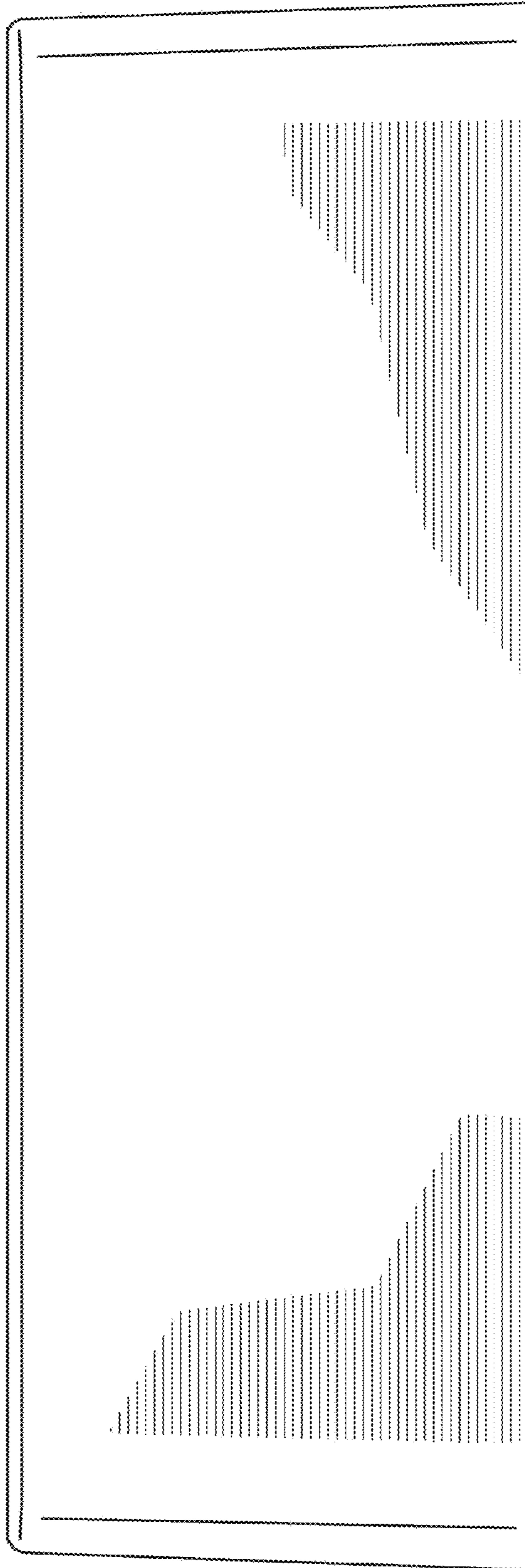


FIG. 5

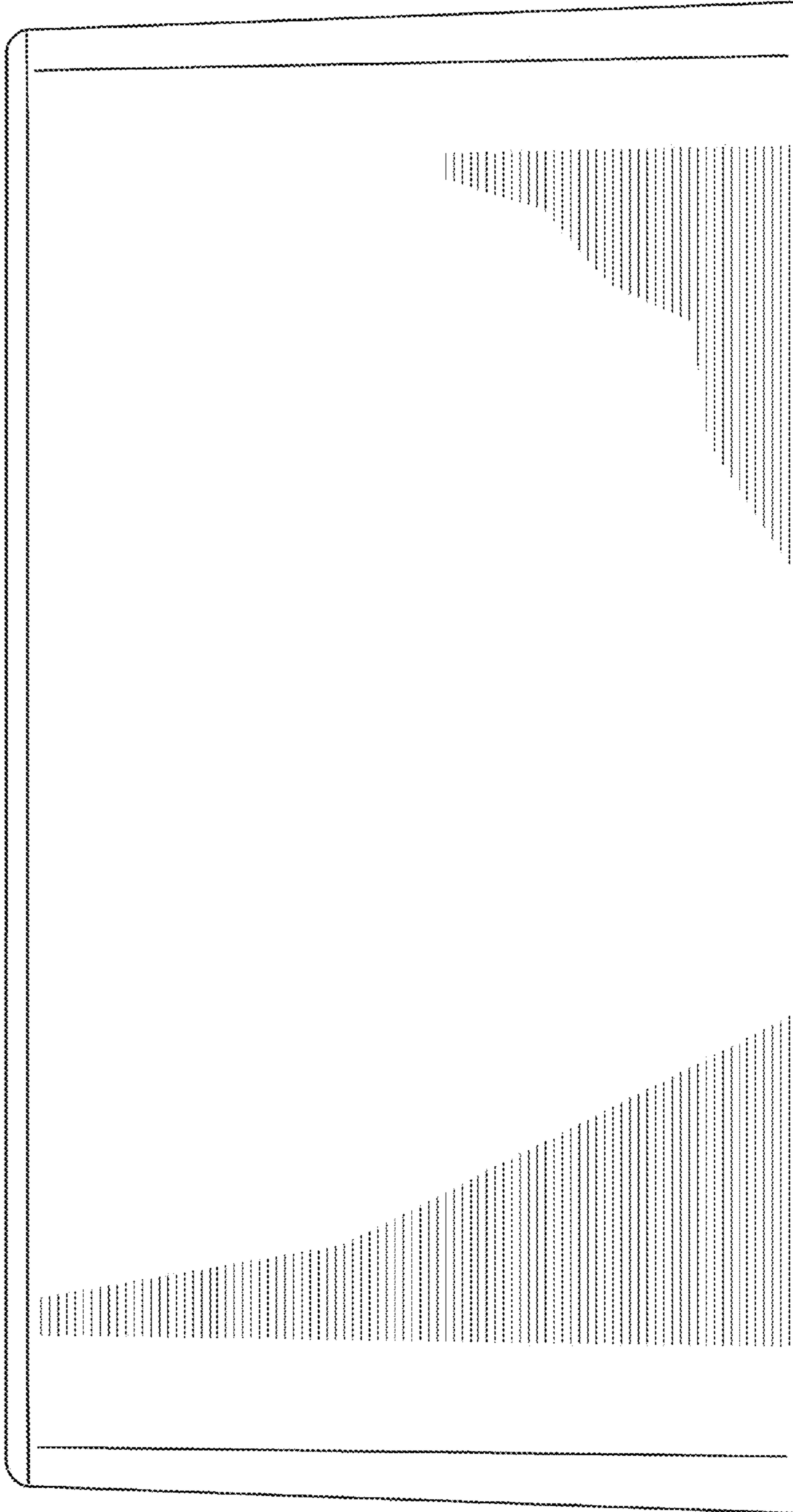


FIG. 6

