



US00D767734S

(12) **United States Design Patent**
Rexach

(10) **Patent No.:** **US D767,734 S**
(45) **Date of Patent:** **** Sep. 27, 2016**

- (54) **FAUCET**
- (71) Applicant: **Kohler Co.**, Kohler, WI (US)
- (72) Inventor: **Rafael Alfredo Rexach**, Sheboygan, WI (US)
- (73) Assignee: **KOHLER CO.**, Kohler, WI (US)
- (**) Term: **15 Years**
- (21) Appl. No.: **29/566,091**
- (22) Filed: **May 26, 2016**

- D530,790 S 10/2006 Kohler, Jr. et al.
- D534,619 S 1/2007 Garner
- D534,993 S 1/2007 Kirar
- D563,192 S 3/2008 Barry
- D588,235 S 3/2009 Rexach
- D598,072 S 8/2009 Zetsche
- D602,570 S 10/2009 Lammel
- D615,162 S 5/2010 Pan
- D628,277 S 11/2010 Montgomery
- D645,941 S 9/2011 Ando
- D689,987 S 9/2013 Kington et al.
- D720,432 S 12/2014 Hundley et al.

Primary Examiner — Robert Delehanty
(74) *Attorney, Agent, or Firm* — Foley & Lardner LLP

Related U.S. Application Data

- (62) Division of application No. 29/519,939, filed on Mar. 9, 2015.
- (51) **LOC (10) Cl.** **23-01**
- (52) **U.S. Cl.**
USPC **D23/255**
- (58) **Field of Classification Search**
USPC D23/238–243, 249–250, 252, 254–255,
D23/257, 253
CPC E03C 1/04; E03C 1/0401; E03C 1/0402;
E03C 1/0404; F16K 31/602; F16K 31/605;
F16K 31/607
See application file for complete search history.

References Cited

U.S. PATENT DOCUMENTS

- D466,987 S 12/2002 Smith
- D466,988 S 12/2002 Marshall
- D475,124 S 5/2003 Citterio
- D503,217 S 3/2005 Aubry

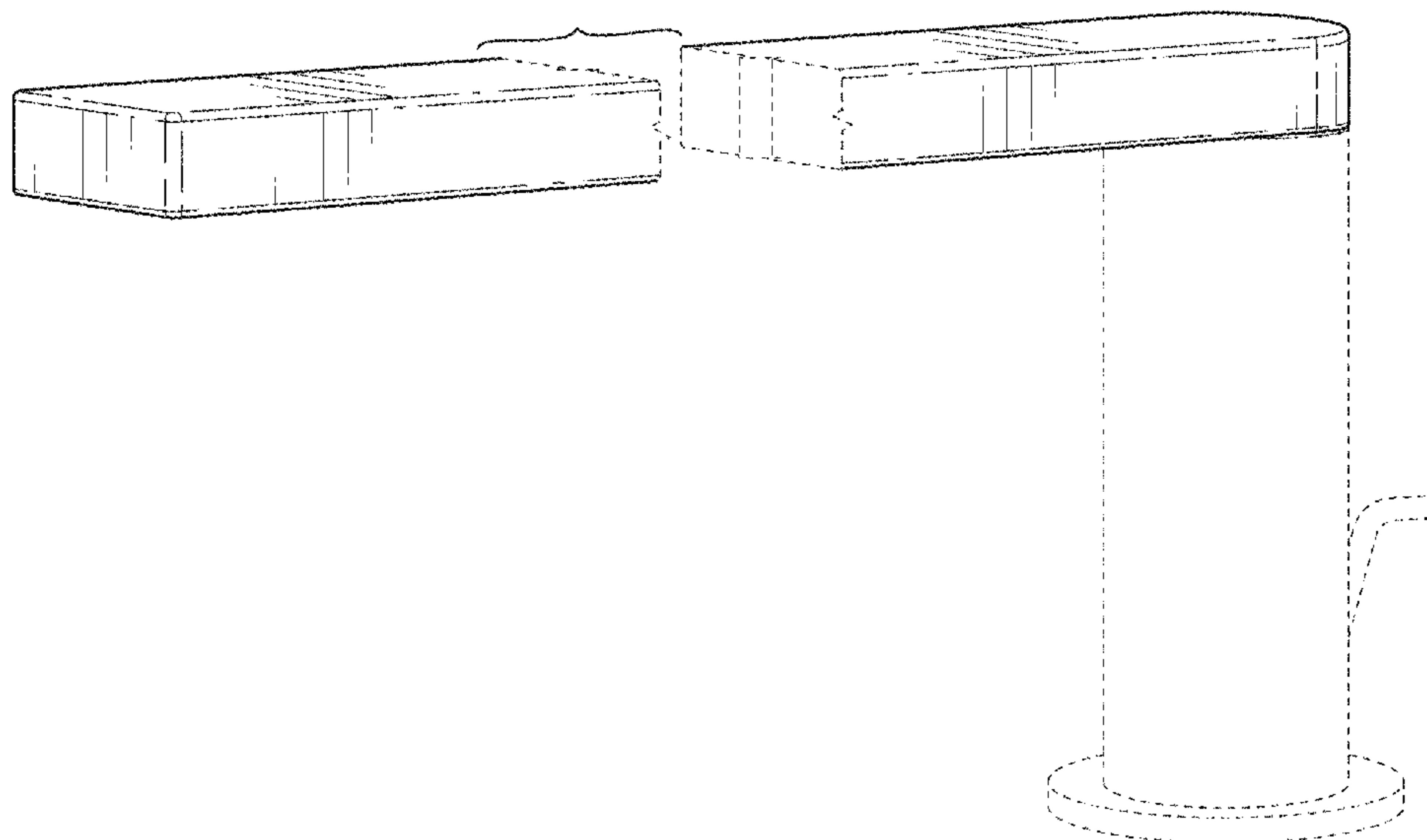
(57) **CLAIM**
I claim the ornamental design for a faucet, as shown and described.

DESCRIPTION

FIG. 1 is a top, front, right perspective view of an embodiment of the claimed design;
 FIG. 2 is a front elevation view thereof;
 FIG. 3 is a rear elevation view thereof;
 FIG. 4 is a left side elevation view thereof;
 FIG. 5 is a right side elevation view thereof;
 FIG. 6 is a top plan view thereof; and,
 FIG. 7 is a bottom plan view thereof.

The ornamental design which is claimed is shown in solid lines in the drawings. The broken lines in the drawings are for illustrative purposes only and form no part of the claimed design. Broken lines formed by equal length dashes in the drawings illustrate unclaimed portions of the design. Broken away symbols having a jagged element show that no particular length of the portion is claimed.

1 Claim, 4 Drawing Sheets



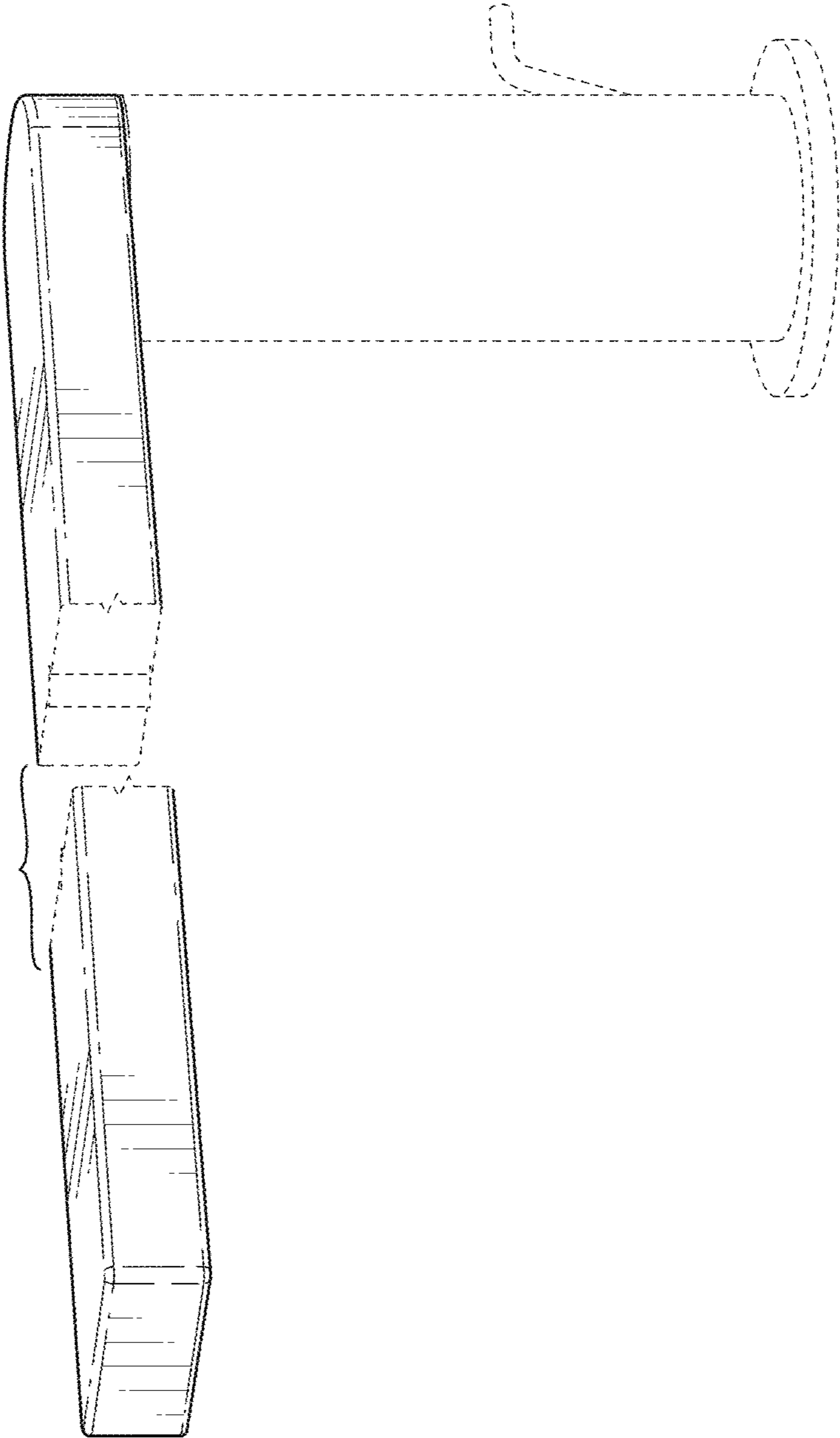


FIG. 1

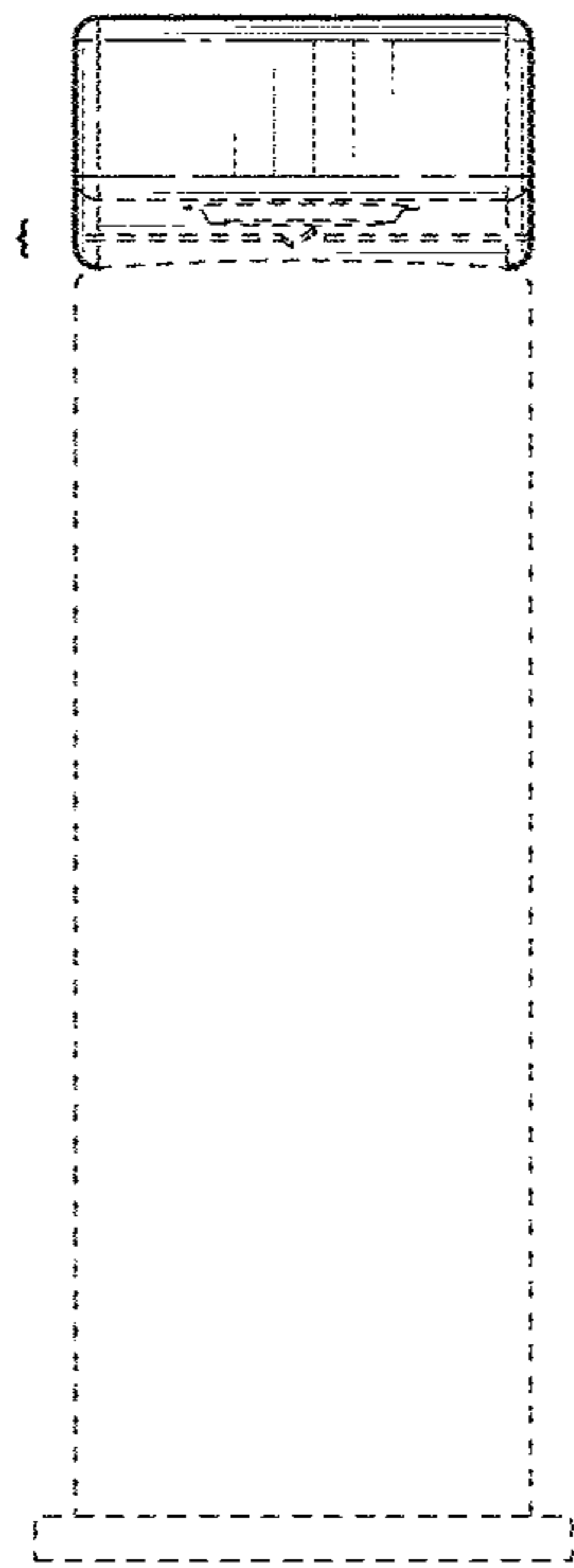


FIG. 2

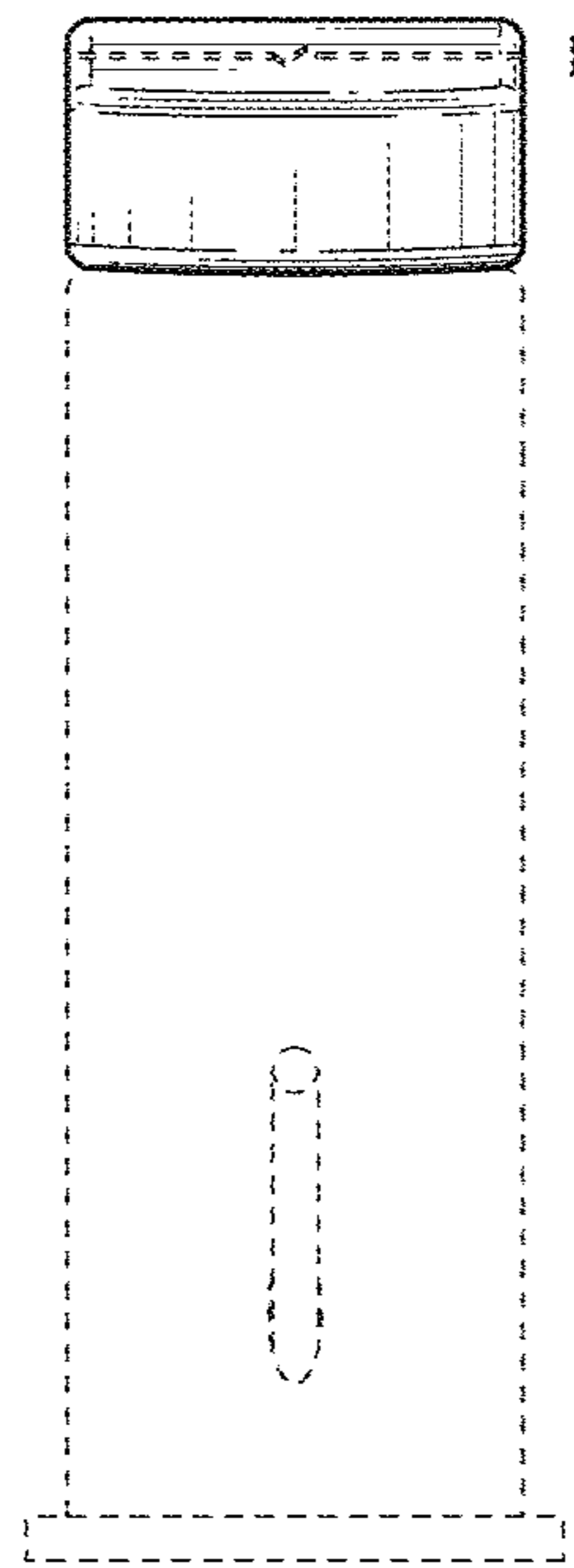


FIG. 3

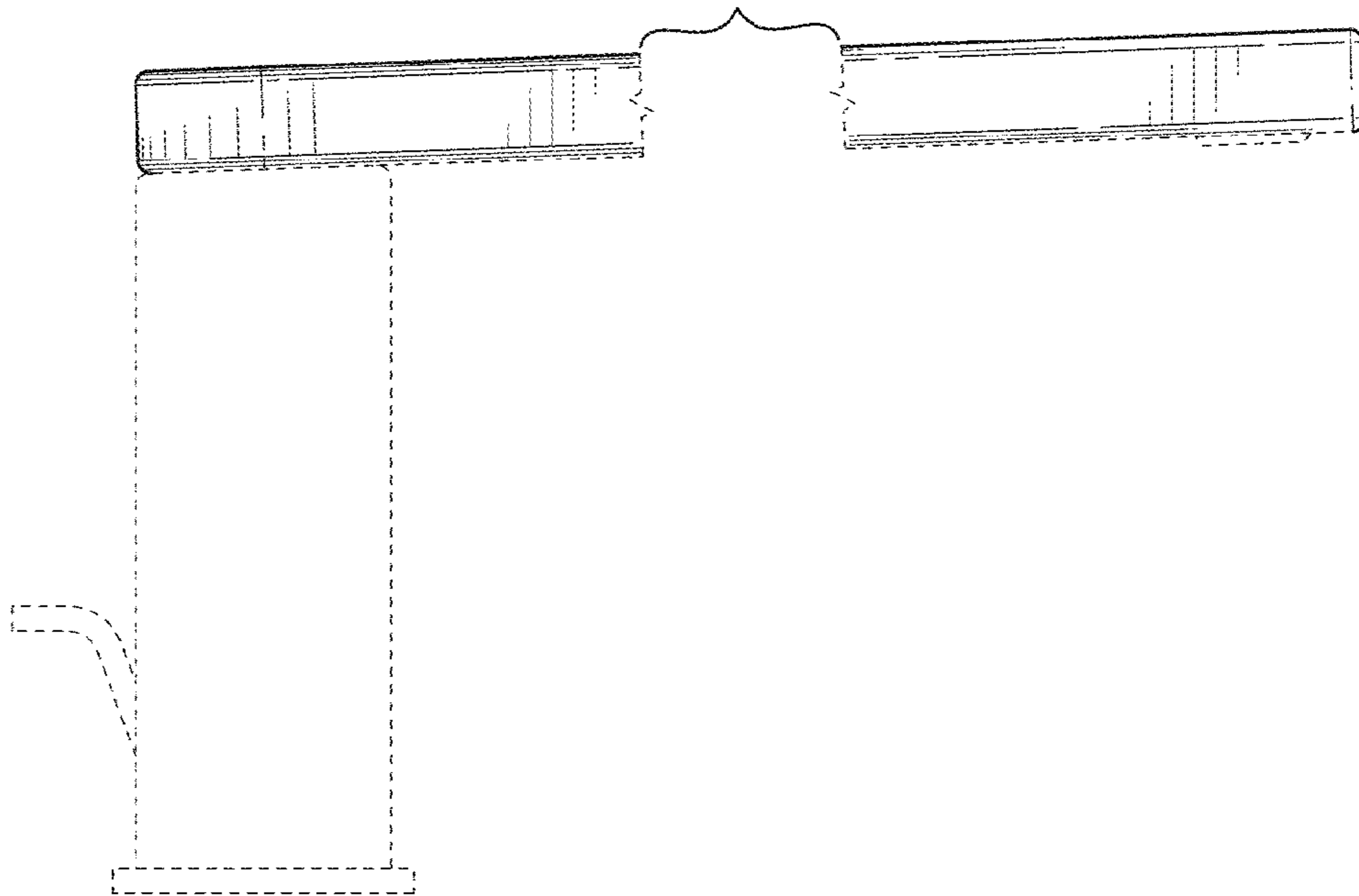


FIG. 4

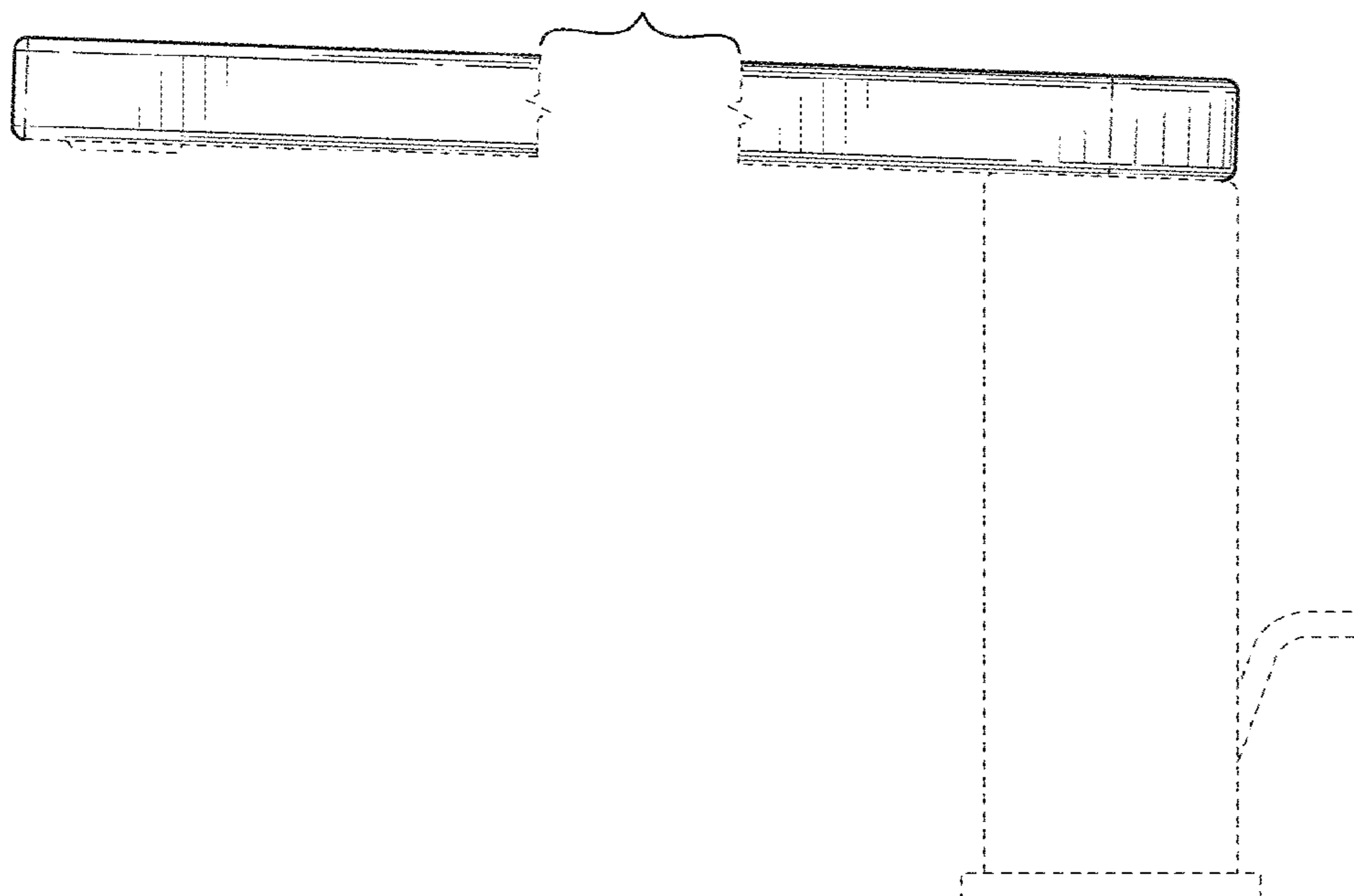


FIG. 5

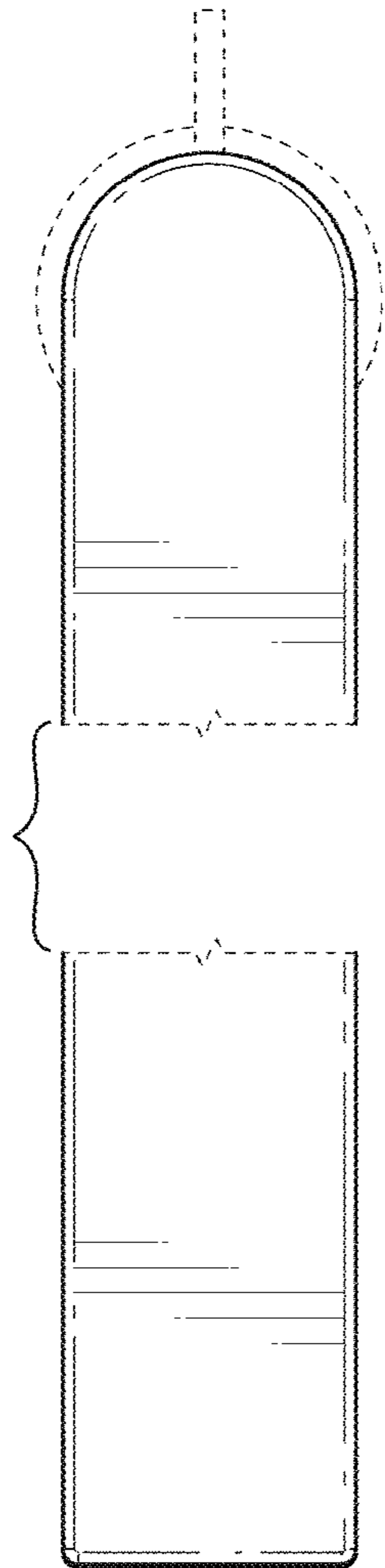


FIG. 6

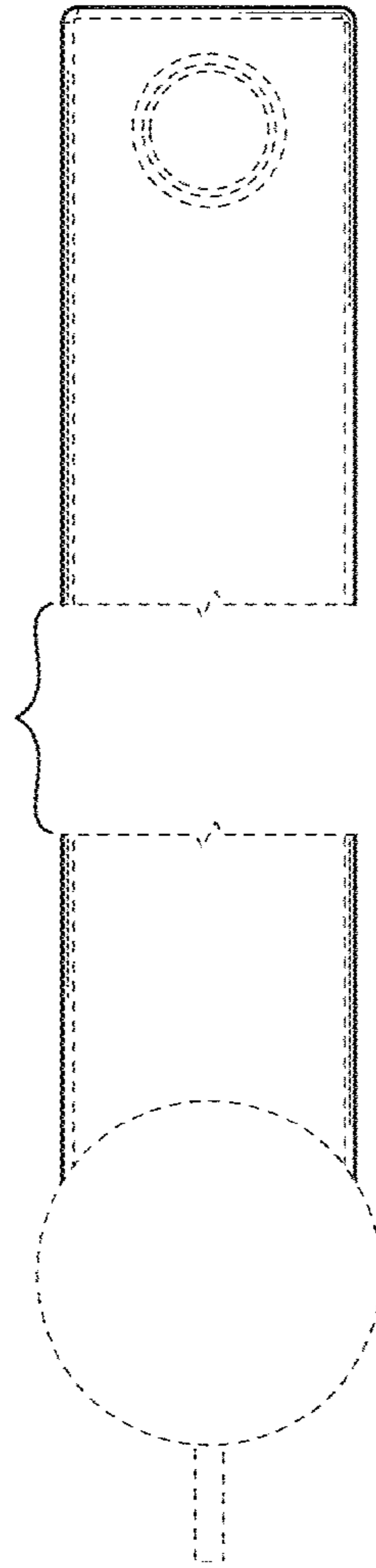


FIG. 7