



US00D767731S

(12) **United States Design Patent**
Rexach

(10) **Patent No.:** **US D767,731 S**

(45) **Date of Patent:** **** Sep. 27, 2016**

(54) **HANDLE**

(71) Applicant: **Kohler Co.**, Kohler, WI (US)

(72) Inventor: **Rafael Alfredo Rexach**, Sheboygan, WI (US)

(73) Assignee: **KOHLER CO.**, Kohler, WI (US)

(**) Term: **15 Years**

(21) Appl. No.: **29/566,092**

(22) Filed: **May 26, 2016**

Related U.S. Application Data

(62) Division of application No. 29/519,939, filed on Mar. 9, 2015.

(51) **LOC (10) Cl.** **23-01**

(52) **U.S. Cl.**
USPC **D23/252**

(58) **Field of Classification Search**
USPC D23/238-243, 249-250, 252, 254-255, D23/257, 253
CPC E03C 1/04; E03C 1/0401; E03C 1/0402; E03C 1/0404; F16K 31/602; F16K 31/605; F16K 31/607
See application file for complete search history.

(56) **References Cited**

U.S. PATENT DOCUMENTS

D466,987 S	12/2002	Smith
D466,988 S	12/2002	Marshall
D475,124 S	5/2003	Citterio
D503,217 S	3/2005	Aubry
D530,790 S	10/2006	Kohler, Jr. et al.

D534,619 S	1/2007	Garner
D534,993 S	1/2007	Kirar
D563,192 S	3/2008	Barry
D588,235 S	3/2009	Rexach
D598,072 S	8/2009	Zetsche
D602,570 S	10/2009	Lammel
D615,162 S	5/2010	Pan
D628,277 S	11/2010	Montgomery
D645,941 S	9/2011	Ando
D689,987 S	9/2013	Kington et al.
D720,432 S	12/2014	Hundley et al.

Primary Examiner — Robert Delehanty

(74) *Attorney, Agent, or Firm* — Foley & Lardner LLP

(57) **CLAIM**

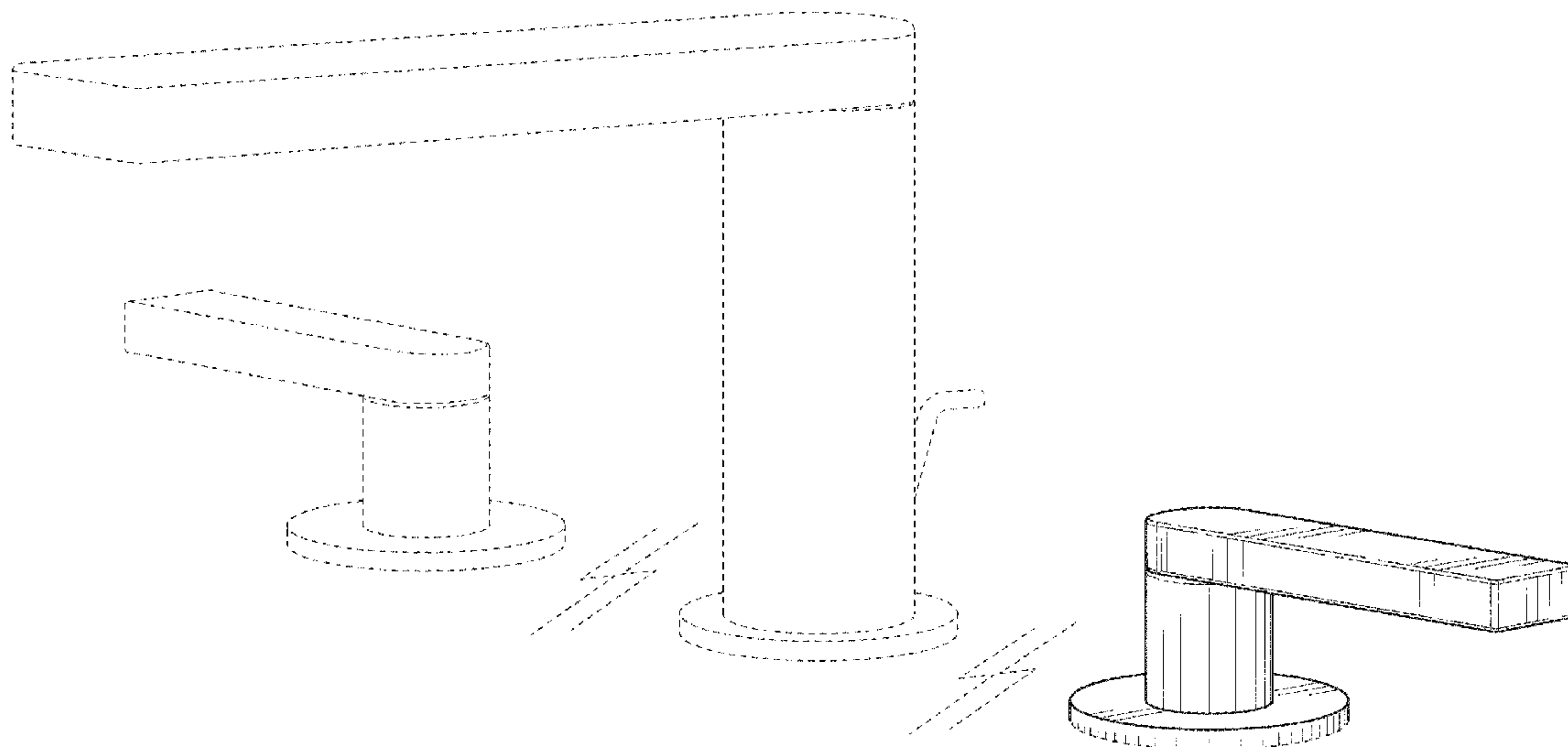
I claim the ornamental design for a handle, as shown and described.

DESCRIPTION

FIG. 1 is a top, front, right perspective view of an embodiment of the claimed design;
FIG. 2 is a front elevation view thereof;
FIG. 3 is a rear elevation view thereof;
FIG. 4 is a left side elevation view thereof taken along line 4-4 in FIG. 6;
FIG. 5 is a right side elevation view thereof;
FIG. 6 is a top plan view thereof; and,
FIG. 7 is a bottom plan view thereof.

The ornamental design which is claimed is shown in solid lines in the drawings. The broken lines in the drawings are for illustrative purposes only and form no part of the claimed design. Broken lines formed by equal length dashes in the drawings illustrate unclaimed portions of the design. Broken away symbols having a jagged element show that no particular length of the portion is claimed.

1 Claim, 6 Drawing Sheets



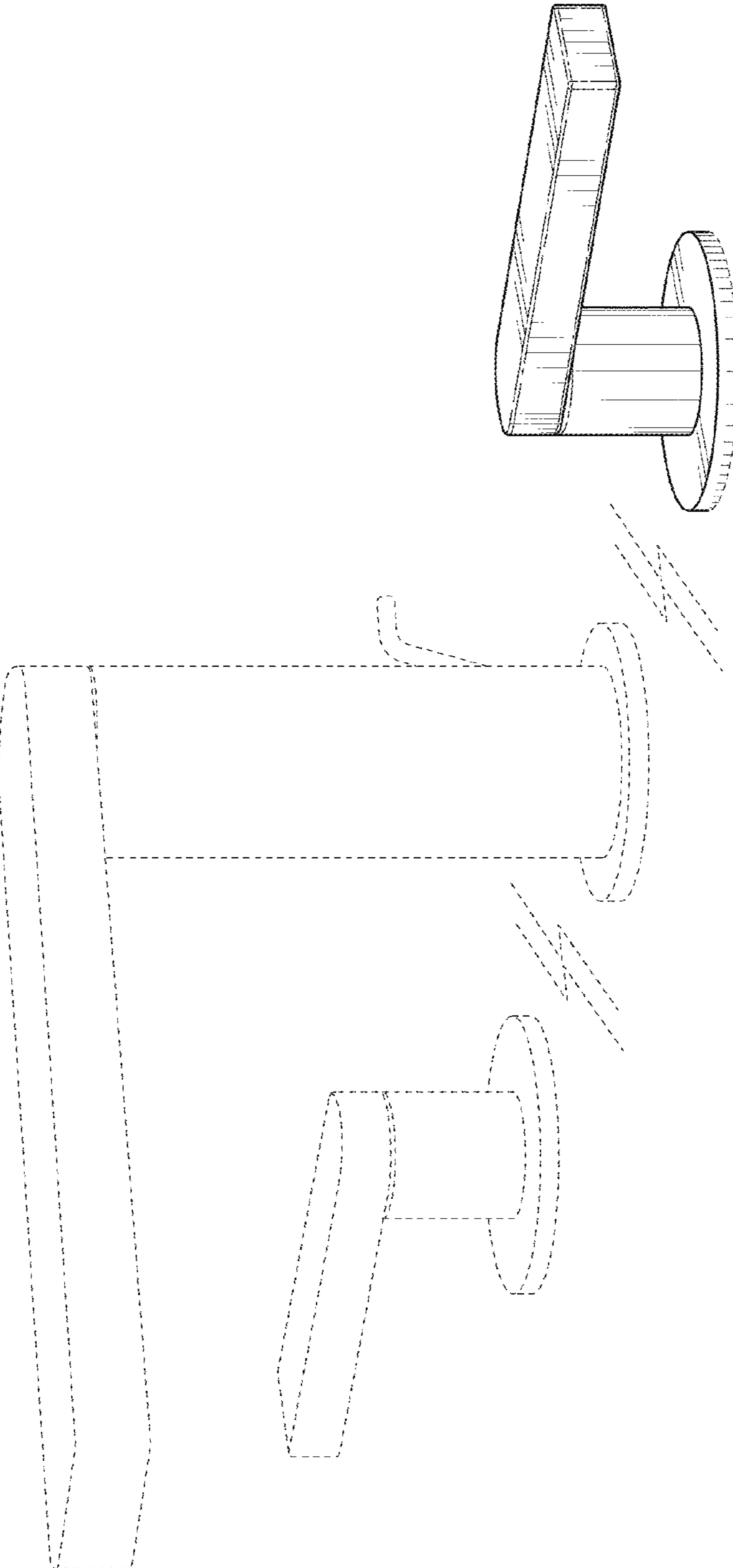


FIG. 1

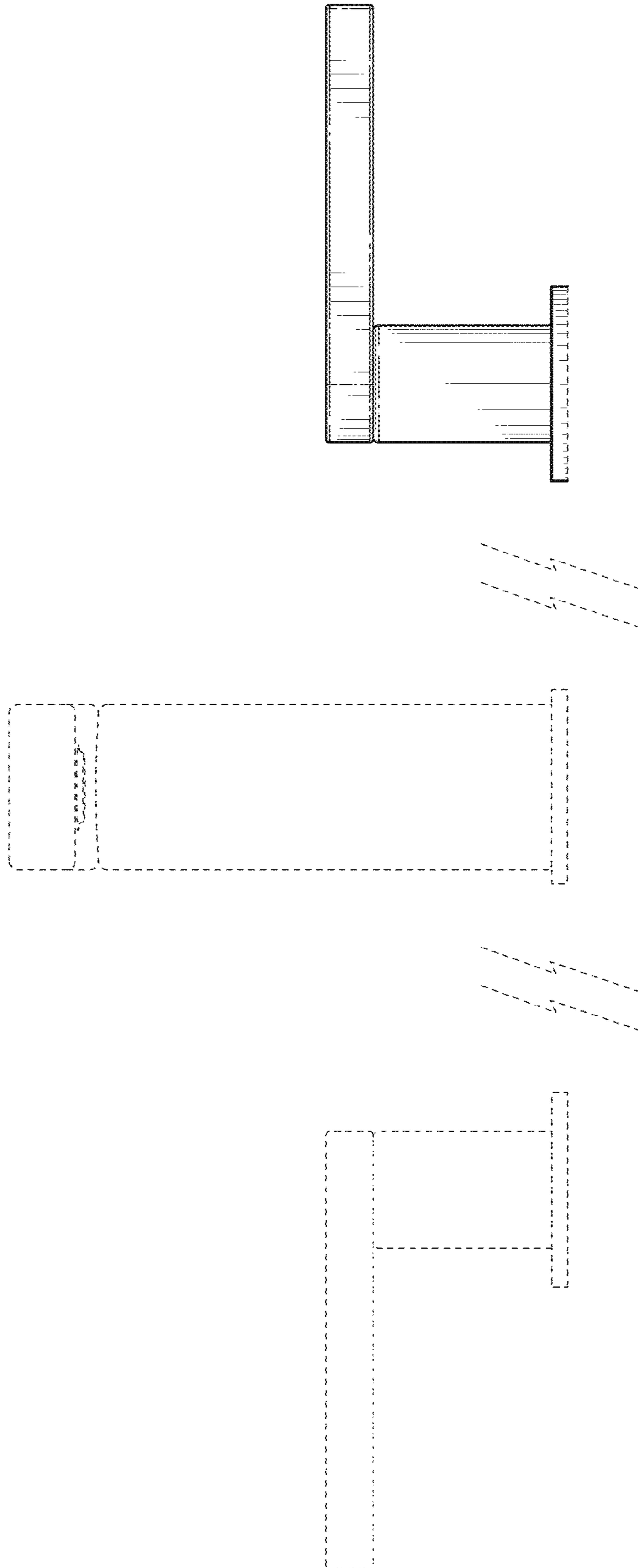


FIG. 2

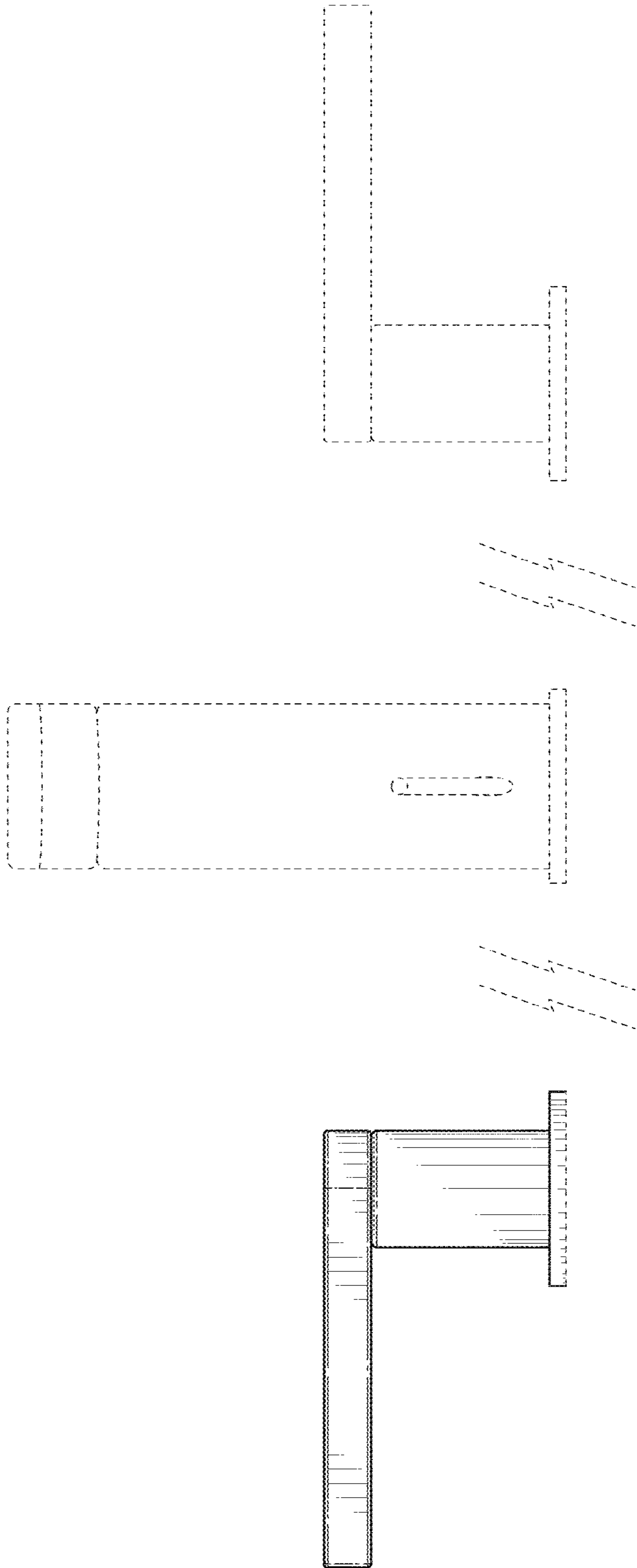


FIG. 3

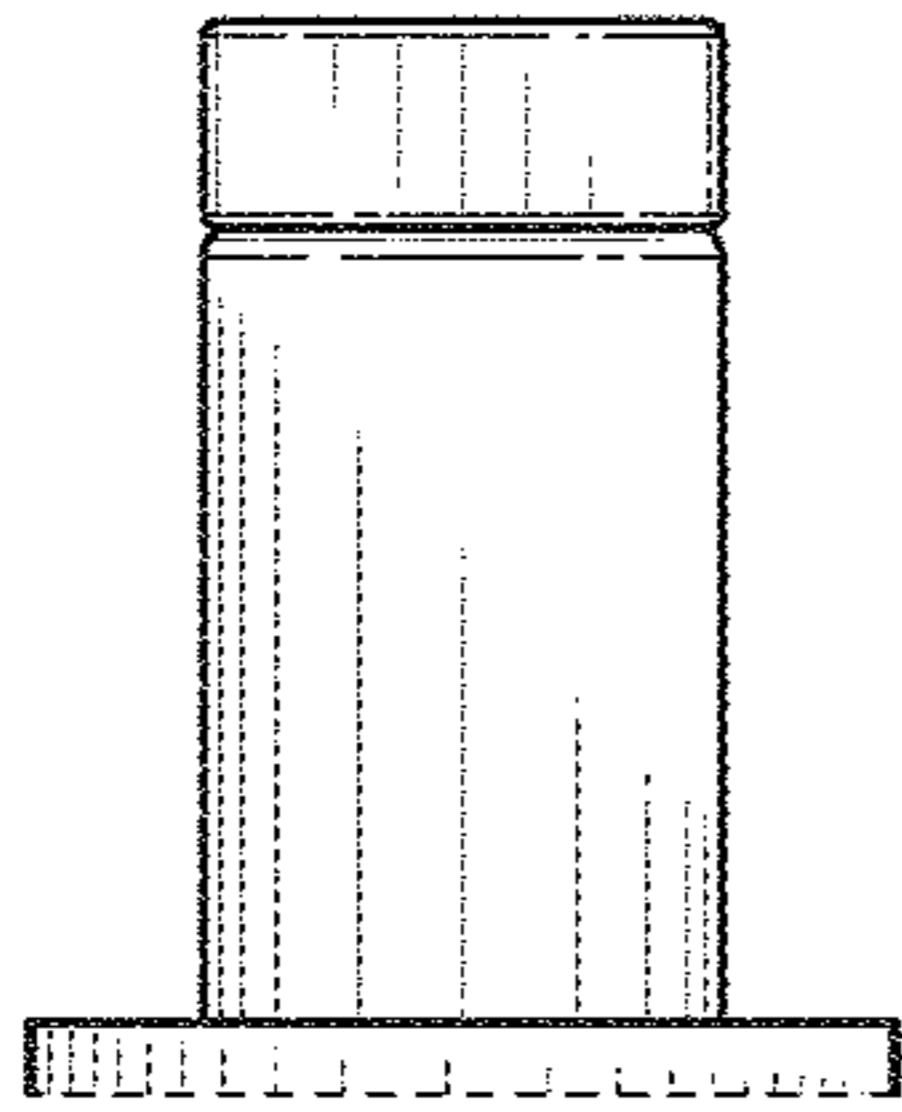


FIG. 4

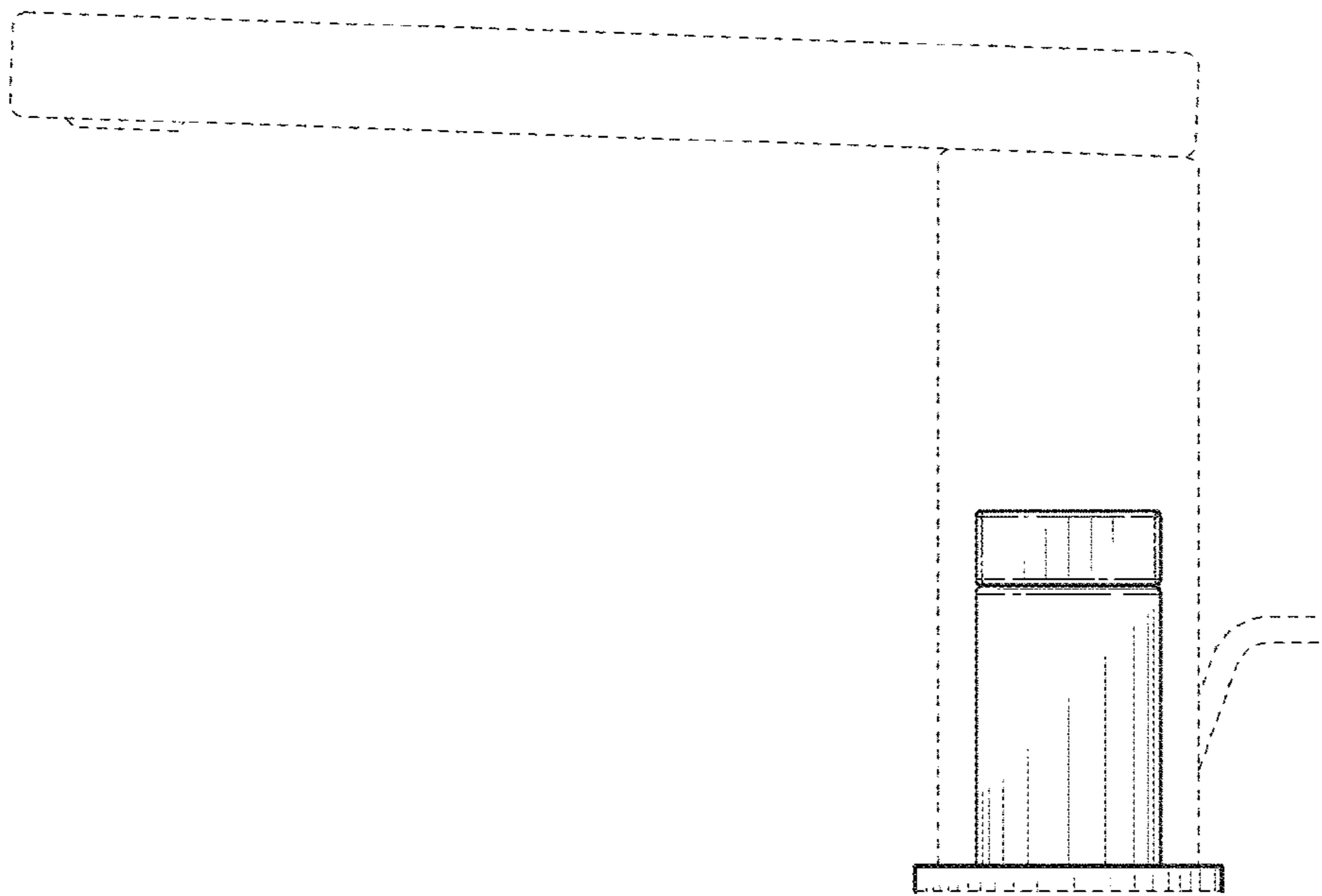


FIG. 5

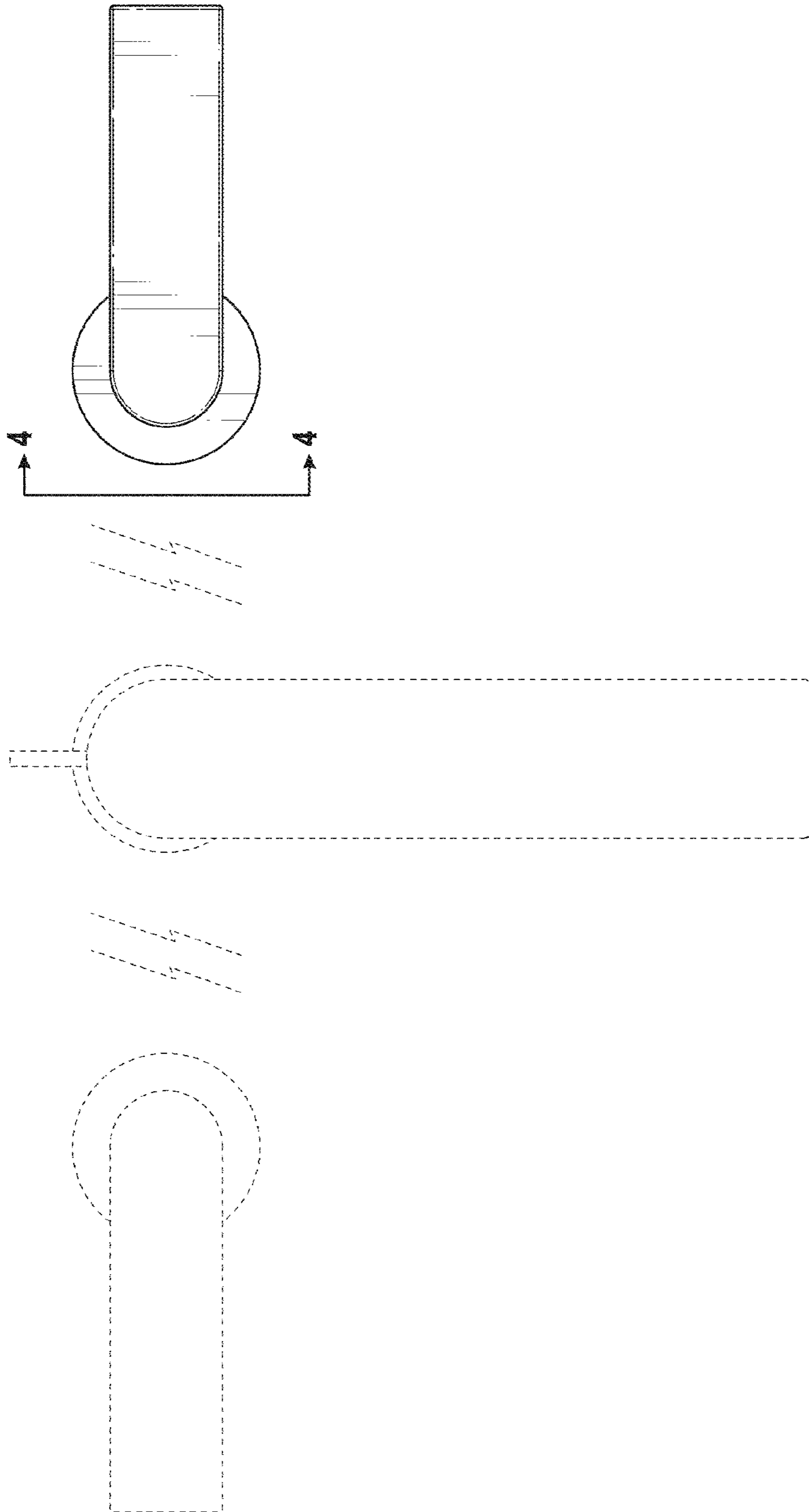


FIG. 6

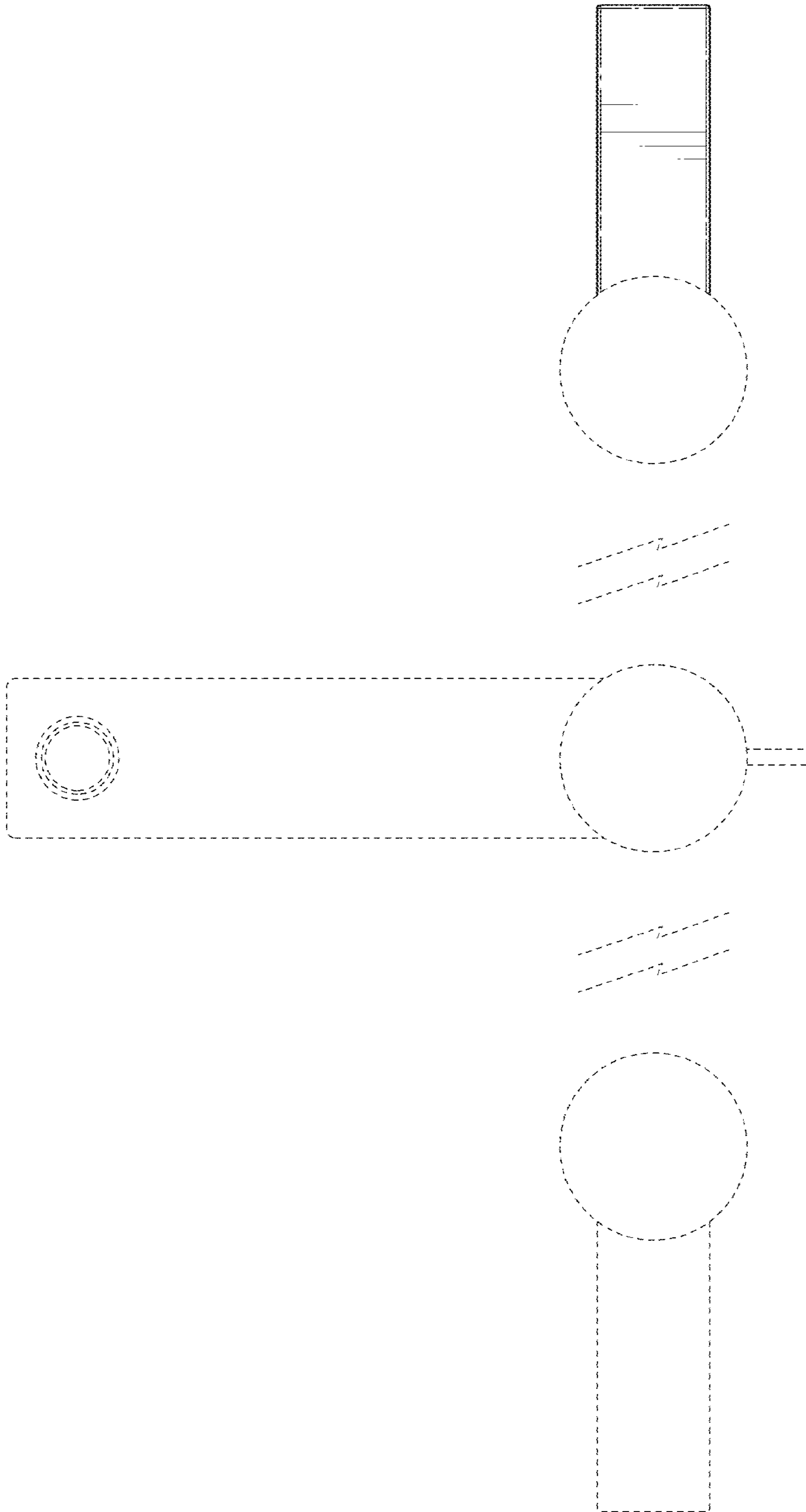


FIG. 7