

US00D767729S

(12) **United States Design Patent** (10) **Patent No.:** **US D767,729 S**
Hong (45) **Date of Patent:** **** Sep. 27, 2016**

(54) **FAUCET HANDLE**
(71) Applicant: **Kohler Co.**, Kohler, WI (US)
(72) Inventor: **Zheyang Hong**, Sheboygan, WI (US)
(73) Assignee: **KOHLER CO.**, Kohler, WI (US)
(**) Term: **14 Years**
(21) Appl. No.: **29/519,942**
(22) Filed: **Mar. 9, 2015**
(51) **LOC (10) Cl.** **23-01**
(52) **U.S. Cl.**
USPC **D23/252**
(58) **Field of Classification Search**
USPC D23/238-243, 249-250, 252, 254-255,
D23/257
CPC E03C 1/04; E03C 1/0401; E03C 1/0402;
E03C 1/0404; F16K 31/602; F16K 31/605;
F16K 31/607
See application file for complete search history.

(56) **References Cited**
U.S. PATENT DOCUMENTS
D325,424 S 4/1992 Dannenberg
D326,139 S 5/1992 Ragonot
D462,421 S * 9/2002 Hundley D23/252
D550,812 S * 9/2007 Haug D23/238
D586,881 S * 2/2009 Lammel D23/238
D586,886 S * 2/2009 Schoenherr D23/252
D605,261 S * 12/2009 Allard D23/255
D615,162 S * 5/2010 Pan D23/255

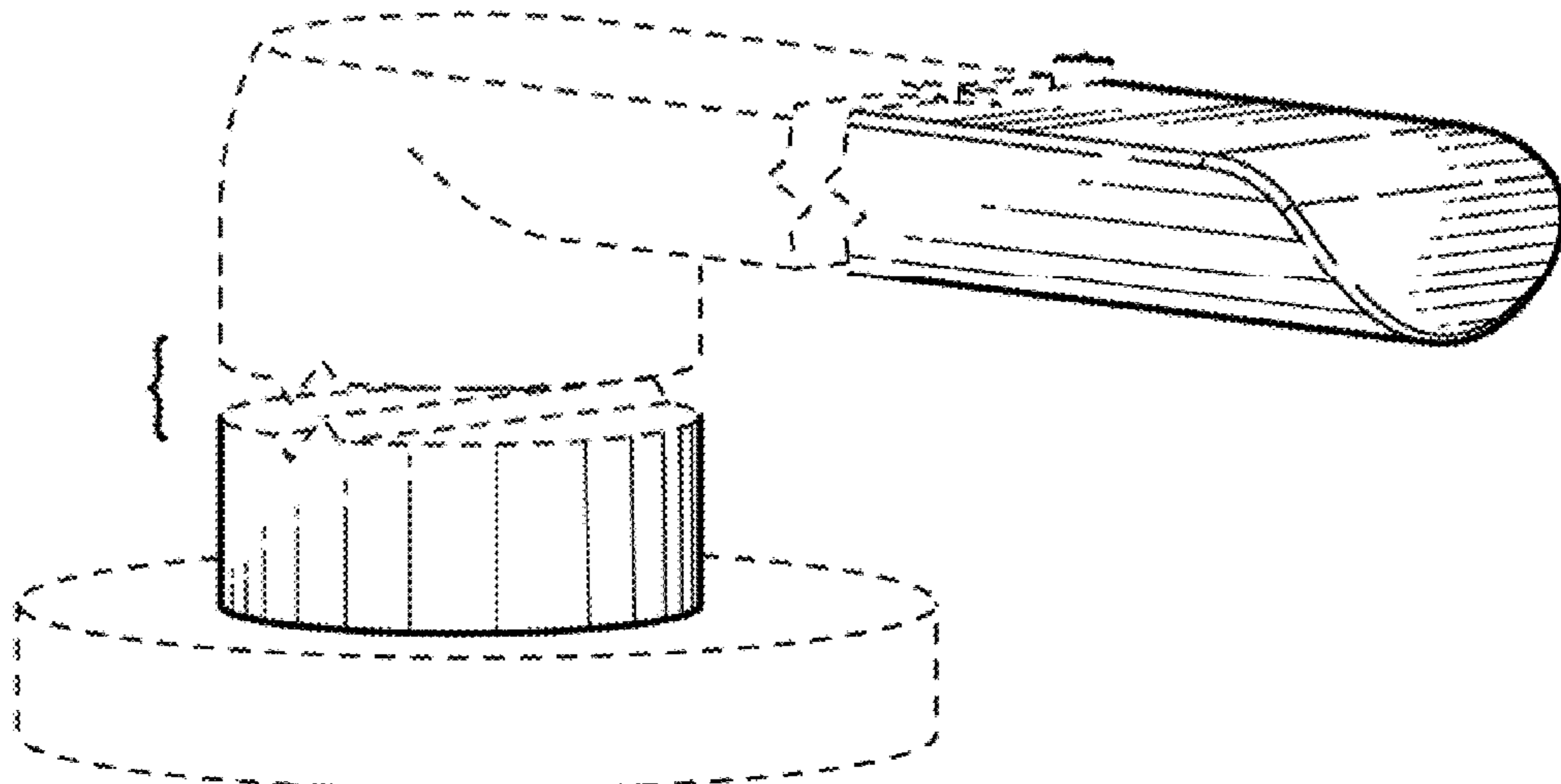
D628,277 S 11/2010 Montgomery
D636,467 S * 4/2011 Schoenherr D23/255
D644,303 S 8/2011 Slothower et al.
D652,488 S 1/2012 Slothower et al.
D661,374 S 6/2012 Slothower et al.
D661,782 S 6/2012 Slothower et al.
D667,533 S * 9/2012 Lammel D23/238
D713,941 S 9/2014 Hundley et al.
D716,418 S 10/2014 Hundley et al.
D719,643 S * 12/2014 Sedwick D23/249

* cited by examiner
Primary Examiner — Robert Delehanty
(74) *Attorney, Agent, or Firm* — Foley & Lardner LLP

(57) **CLAIM**
I claim the ornamental design for a faucet handle, as shown and described.

DESCRIPTION
FIG. 1 is a top, front, right perspective view of an embodiment of the claimed design;
FIG. 2 is a front elevation view thereof;
FIG. 3 is a rear elevation view thereof;
FIG. 4 is a left elevation view thereof;
FIG. 5 is a right elevation view thereof;
FIG. 6 is a top, plan view thereof; and,
FIG. 7 is a bottom, plan view thereof.
The ornamental design which is claimed is shown in solid lines in the drawings. The broken lines in the drawings form no part of the claimed design. Broken lines formed by equal length dashes show unclaimed subject matter. Broken away symbols having a jagged element show that no particular length of the portion is claimed.

1 Claim, 2 Drawing Sheets



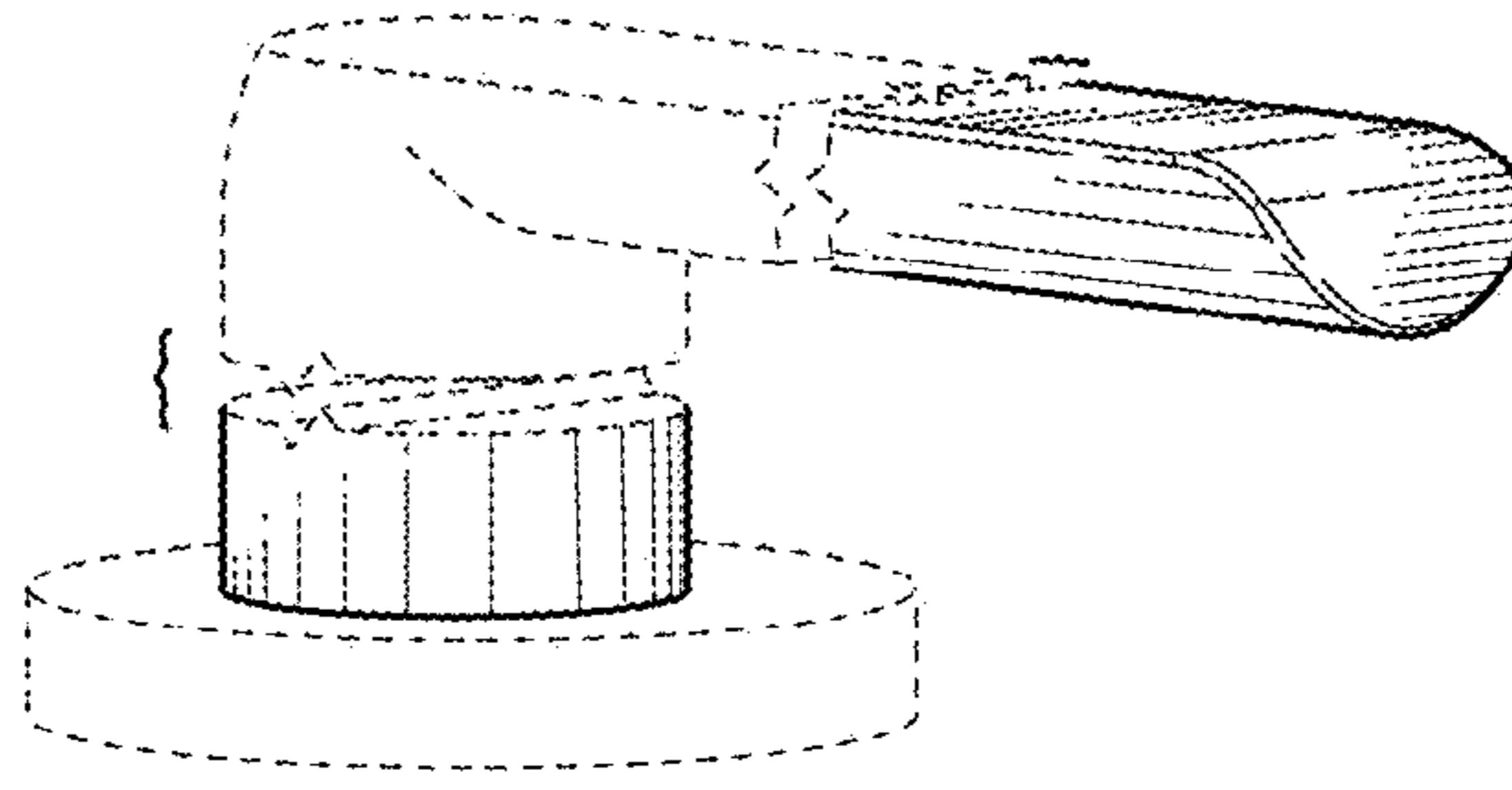


FIG. 1

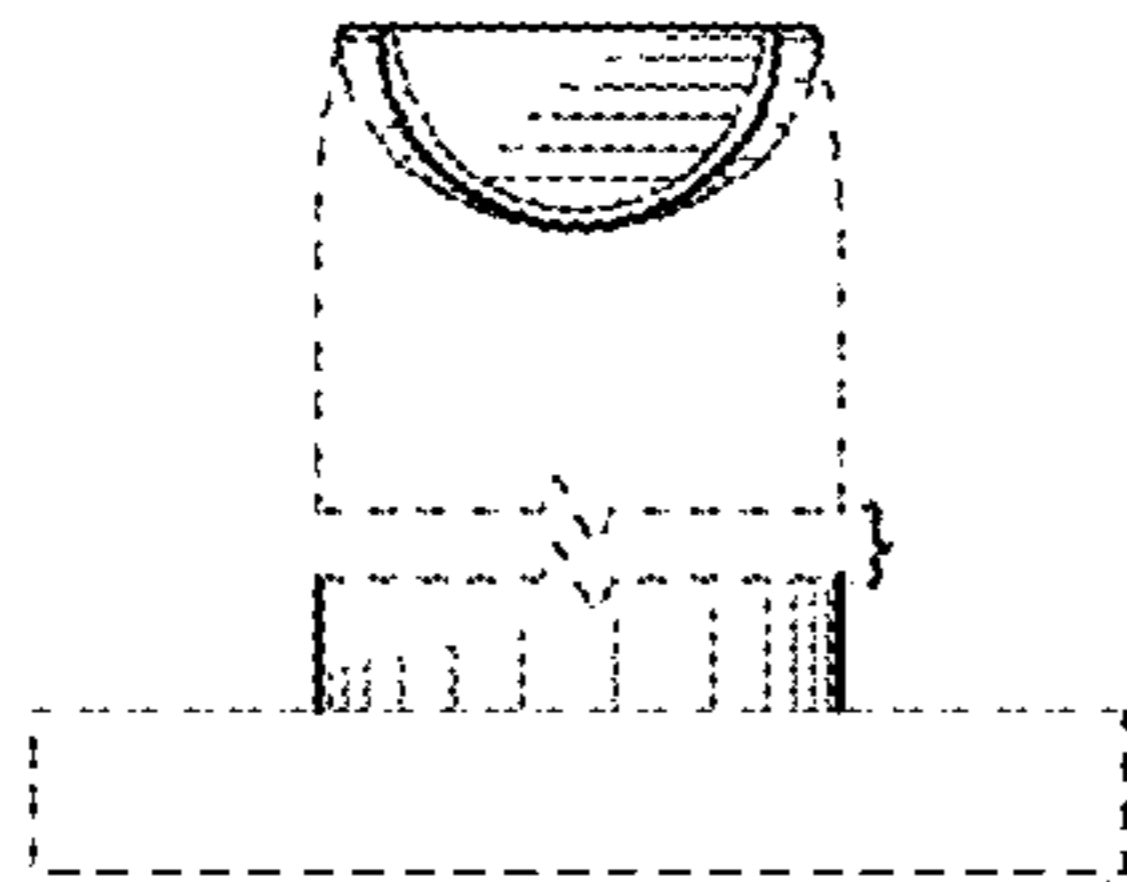


FIG. 2

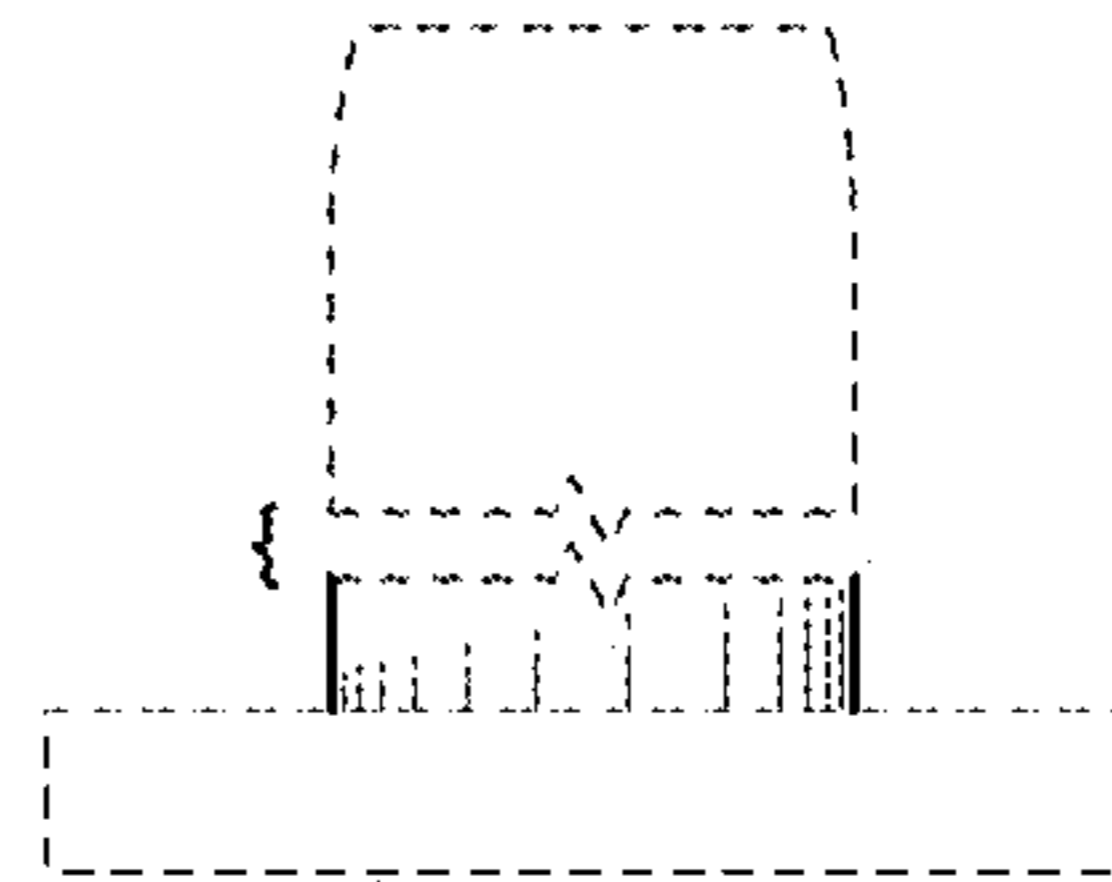


FIG. 3

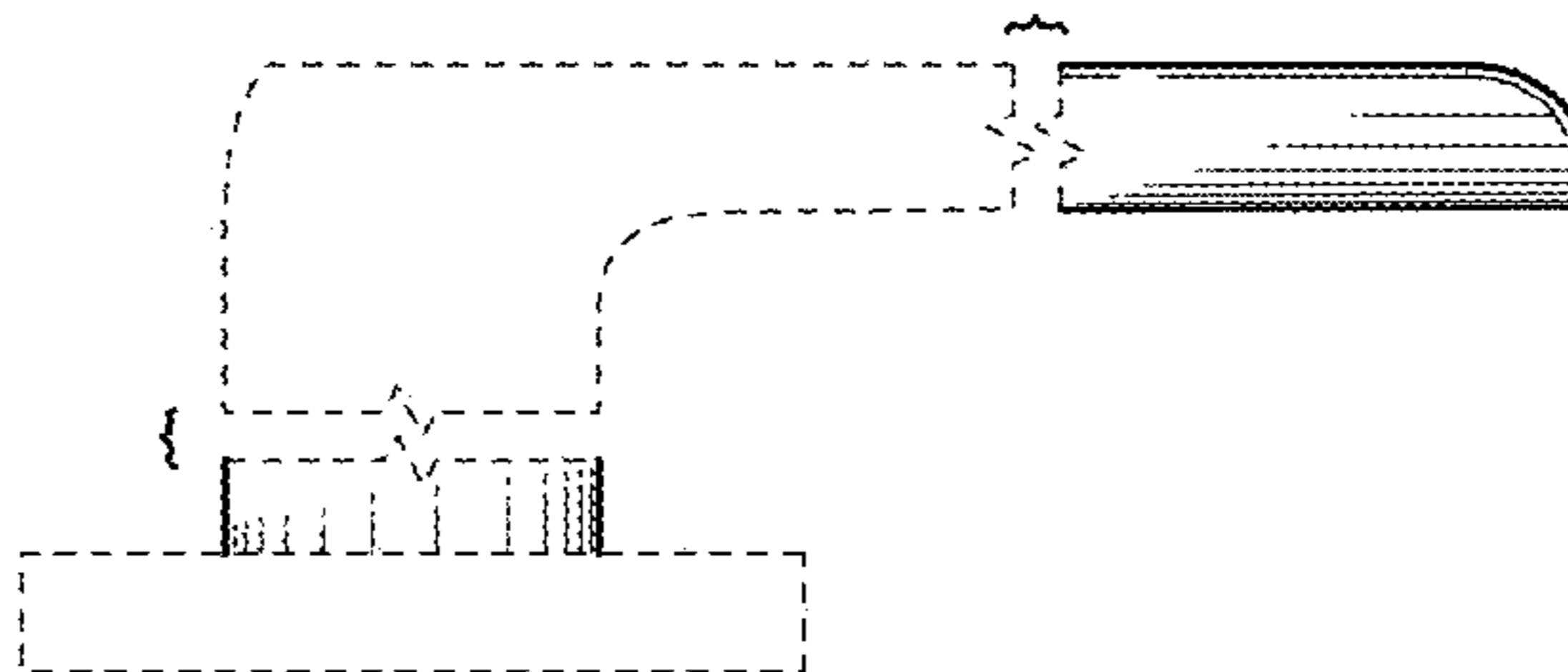


FIG. 4

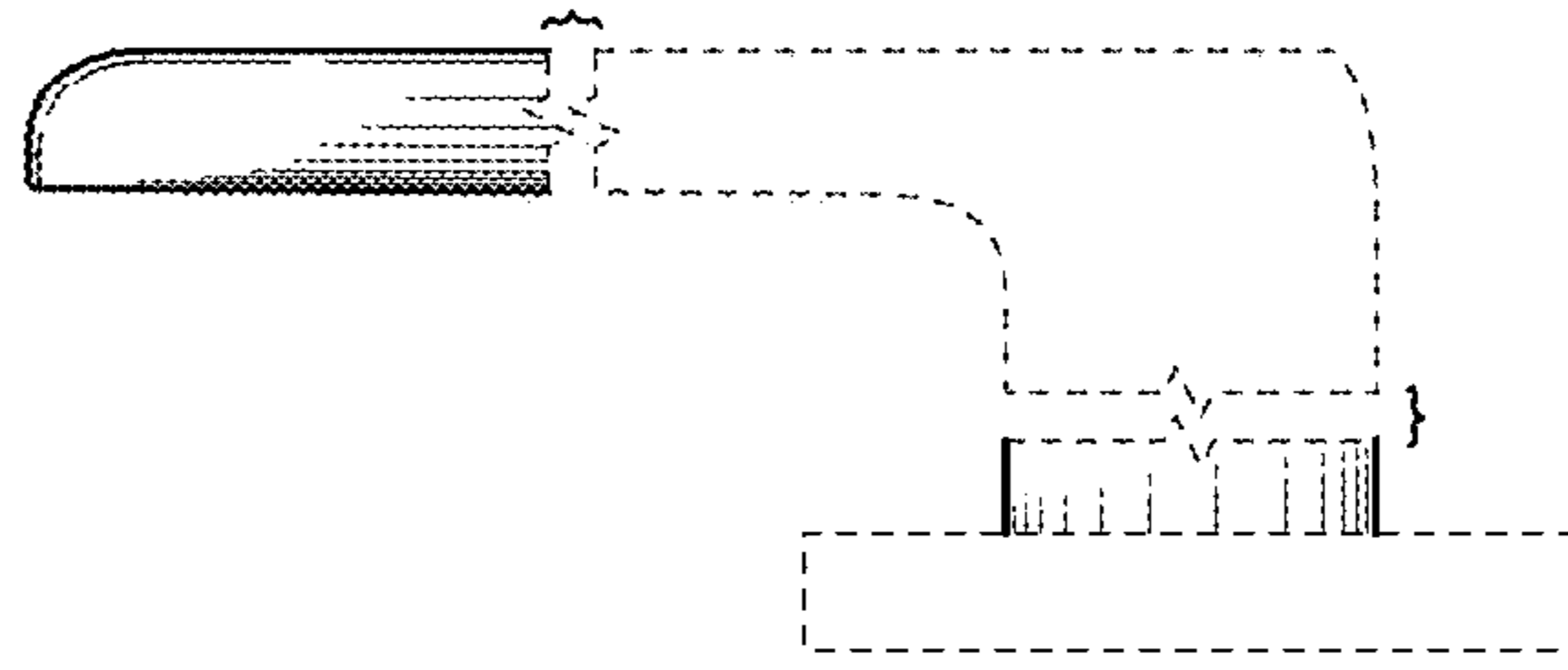


FIG. 5

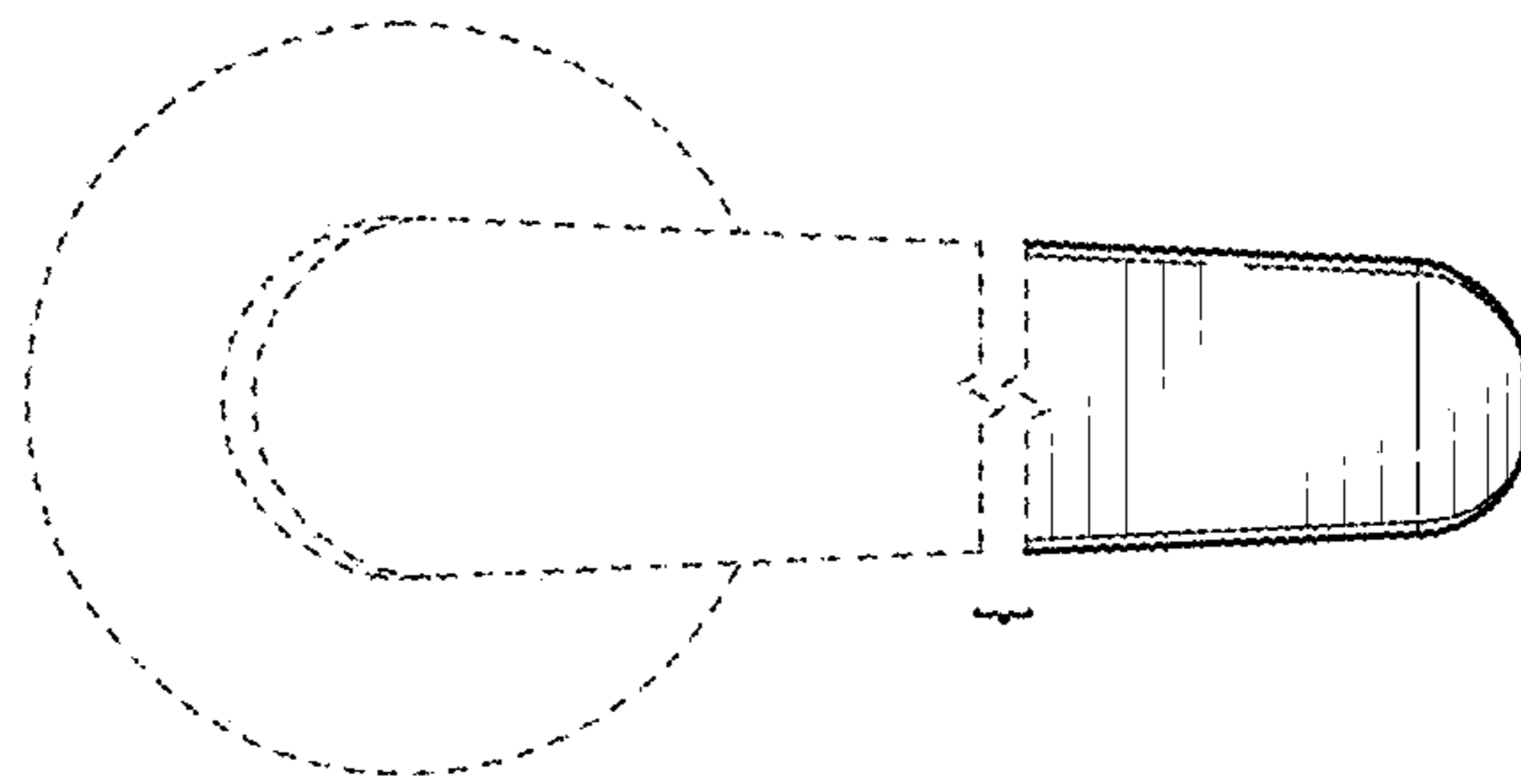


FIG. 6

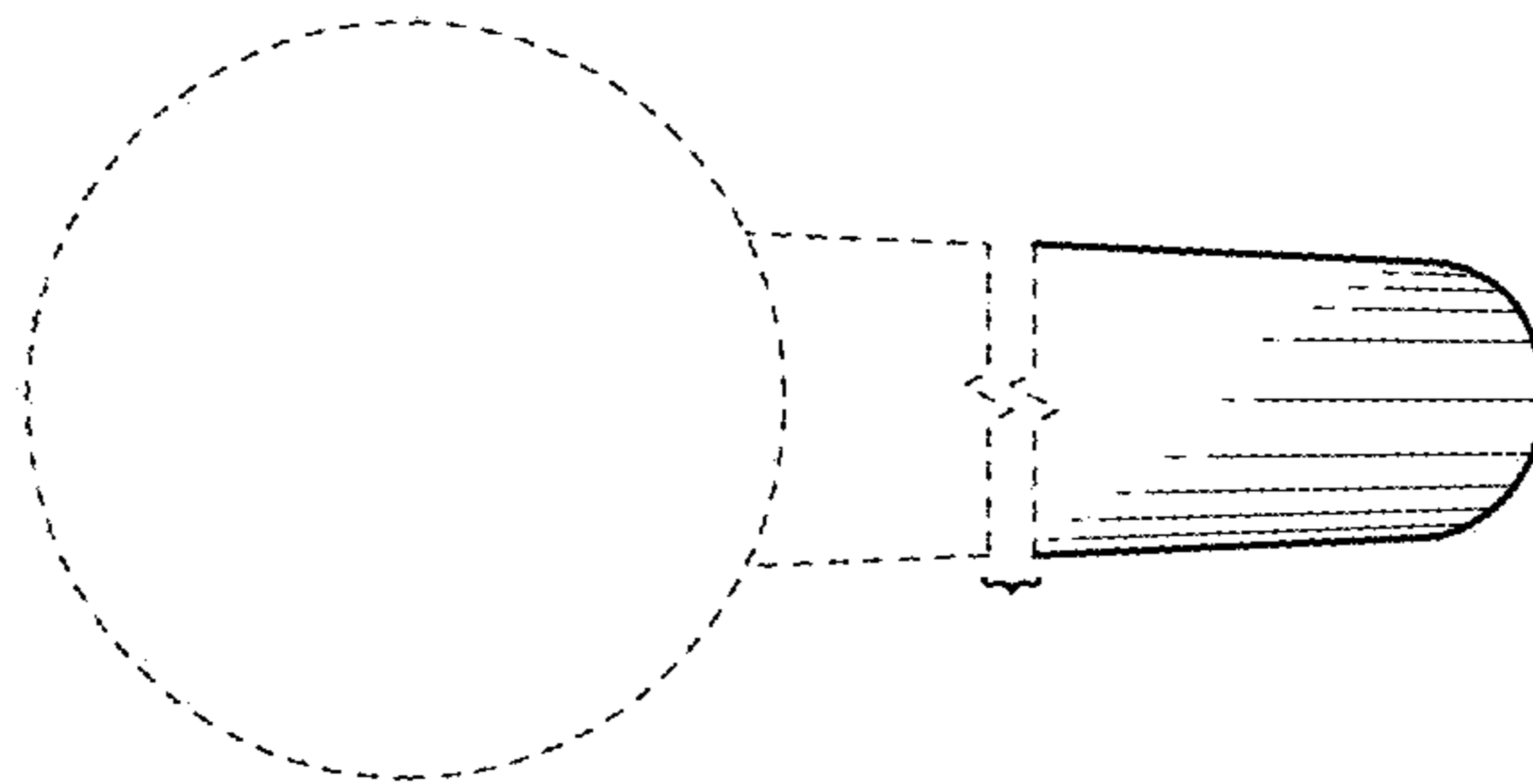


FIG. 7