



US00D767728S

(12) **United States Design Patent** (10) **Patent No.:** **US D767,728 S**  
**Flowers et al.** (45) **Date of Patent:** **\*\* Sep. 27, 2016**

(54) **WIDASET**

(71) Applicant: **Grohe AG**, Hemer (DE)

(72) Inventors: **Paul Flowers**, London (GB); **Jochen Allard**, Menden (DE)

(73) Assignee: **Grohe AG**, Hemer (DE)

(\*\*) Term: **15 Years**

(21) Appl. No.: **29/538,913**

(22) Filed: **Sep. 9, 2015**

(30) **Foreign Application Priority Data**

Mar. 10, 2015 (EM) ..... 002649509-0001

(51) **LOC (10) Cl.** ..... **23-01**

(52) **U.S. Cl.**  
USPC ..... **D23/242**

(58) **Field of Classification Search**  
USPC ..... D23/238, 241-243, 249-250, 252,  
D23/254-255, 257

CPC ..... E03C 1/04; E03C 1/0401; E03C 1/0402;  
E03C 1/0404; F16K 31/602; F16K 31/605;  
F16K 31/607

See application file for complete search history.

(56) **References Cited**

**U.S. PATENT DOCUMENTS**

D482,757 S \* 11/2003 Blomstrom ..... D23/252  
D657,019 S \* 4/2012 Padgett ..... D23/242

D704,808 S \* 5/2014 Flowers ..... D23/255  
D718,842 S \* 12/2014 Rexach ..... D23/252  
D754,297 S \* 4/2016 Garland ..... D23/242  
D761,940 S \* 7/2016 Flowers ..... D23/252

\* cited by examiner

*Primary Examiner* — Robert Delehanty

(74) *Attorney, Agent, or Firm* — Muncy, Geissler, Olds & Lowe, P.C.

(57) **CLAIM**

The ornamental design for a widerset, as shown and described.

**DESCRIPTION**

FIG. 1 is a front perspective view of a widerset according to the present invention.

FIG. 2 is a left side view of the widerset of FIG. 1.

FIG. 3 is a right side view of the widerset of FIG. 1.

FIG. 4 is a top view of the widerset of FIG. 1.

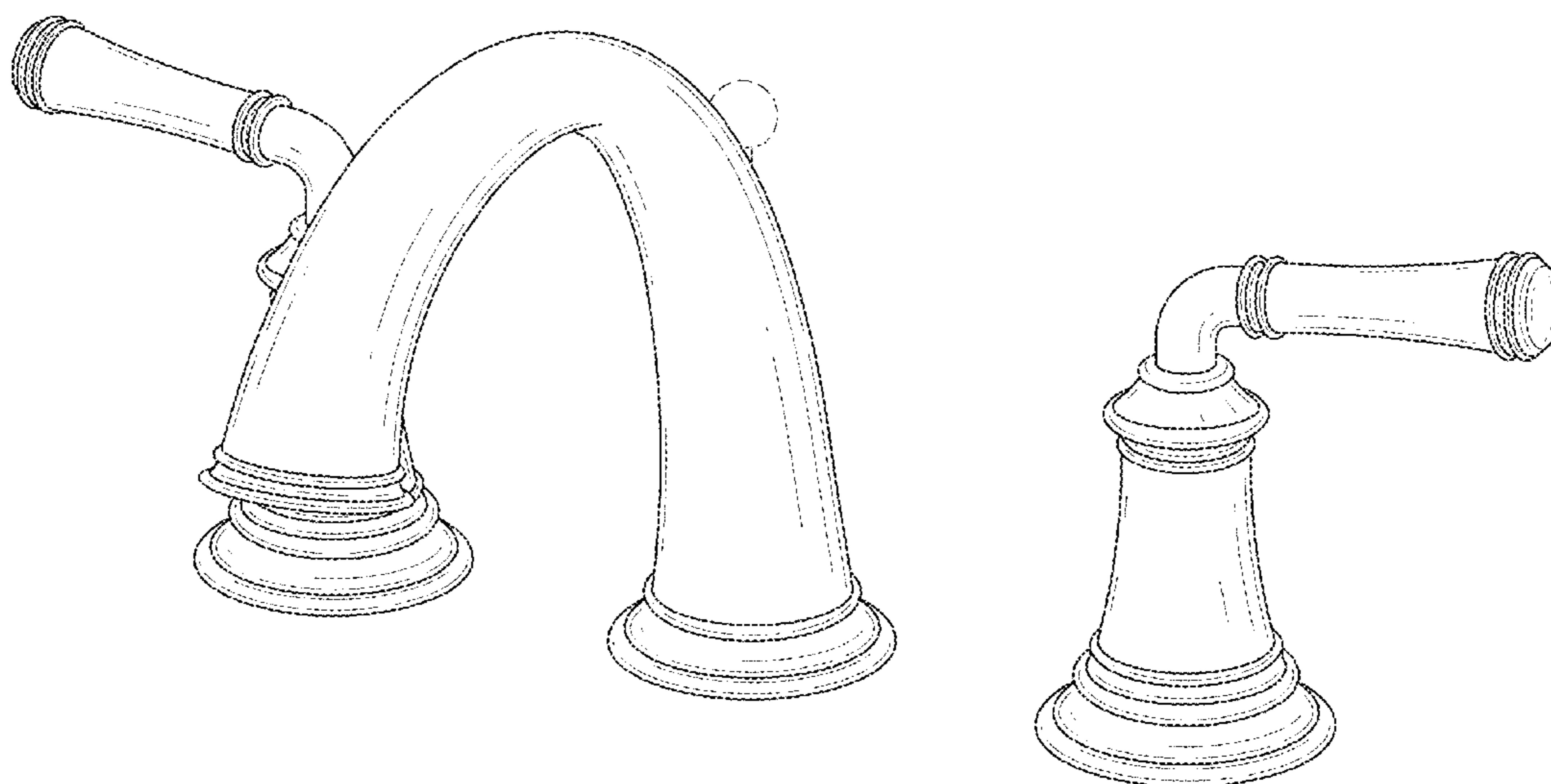
FIG. 5 is a bottom view of the widerset of FIG. 1.

FIG. 6 is a front view of the widerset of FIG. 1; and,

FIG. 7 is a rear view of the widerset of FIG. 1.

The dashed lines illustrate environment that does not form a part of the present invention, and no claim is made to the material illustrated with dashed lines.

**1 Claim, 7 Drawing Sheets**



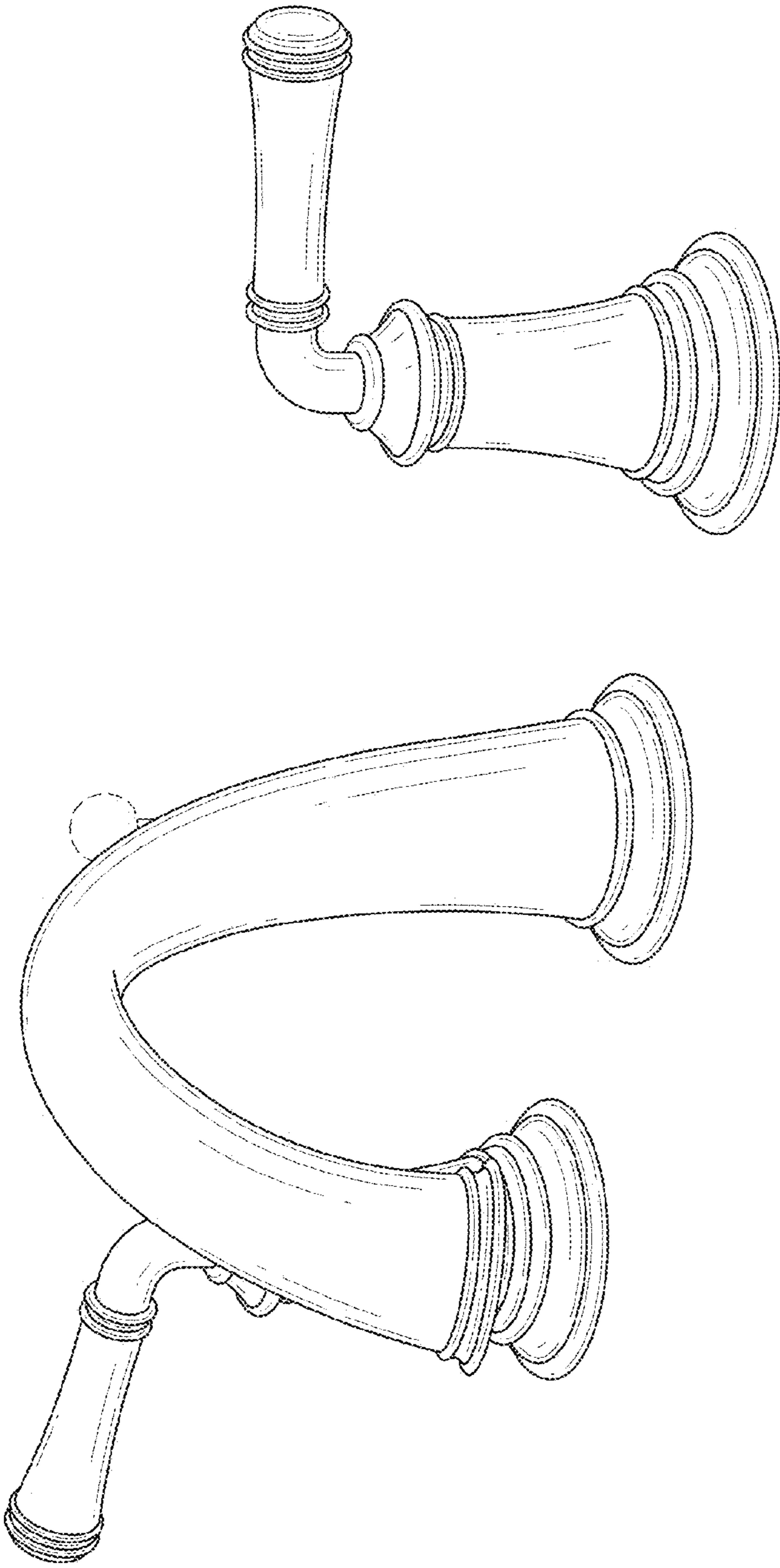


FIG.1

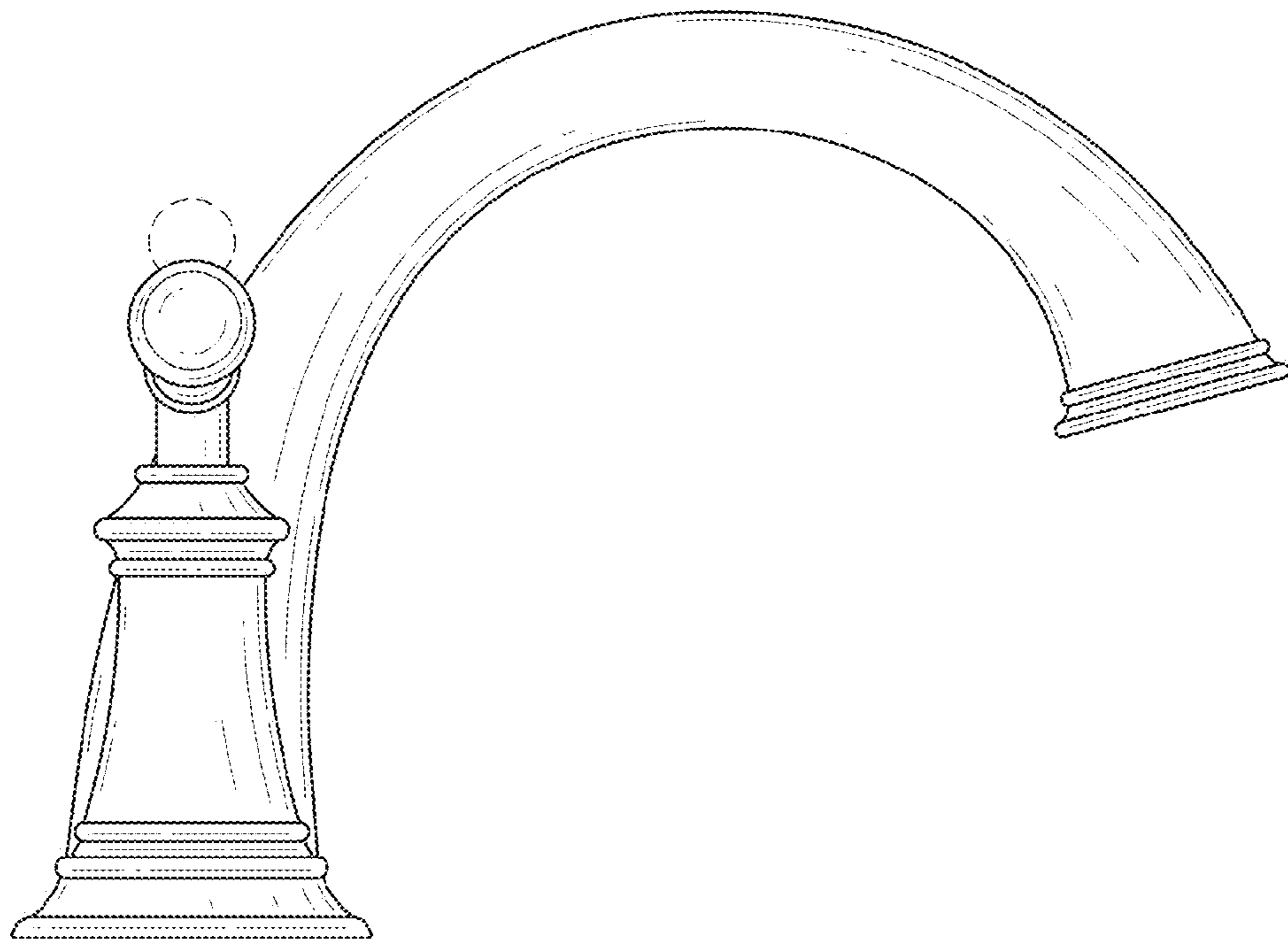


FIG.2

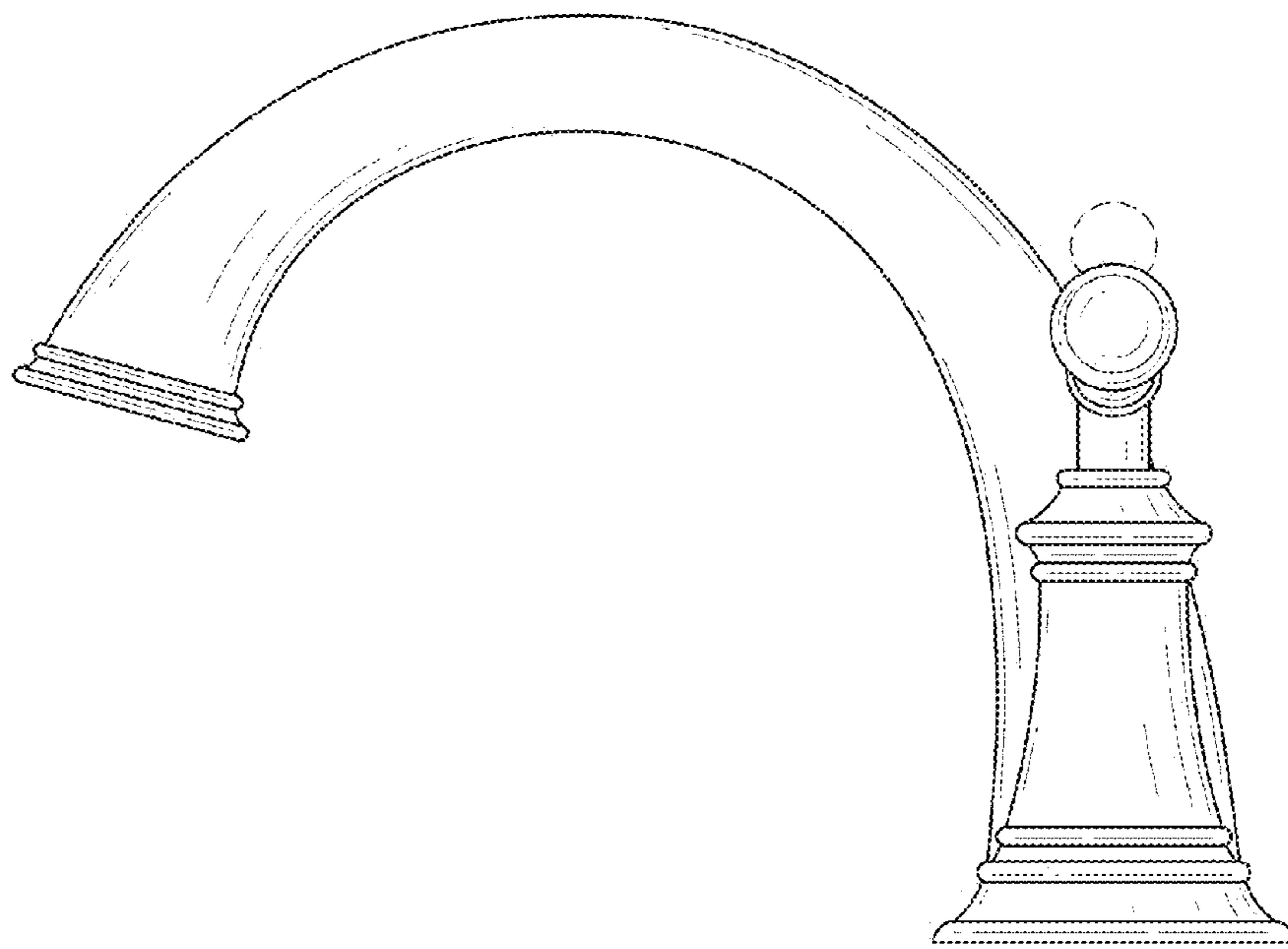


FIG.3

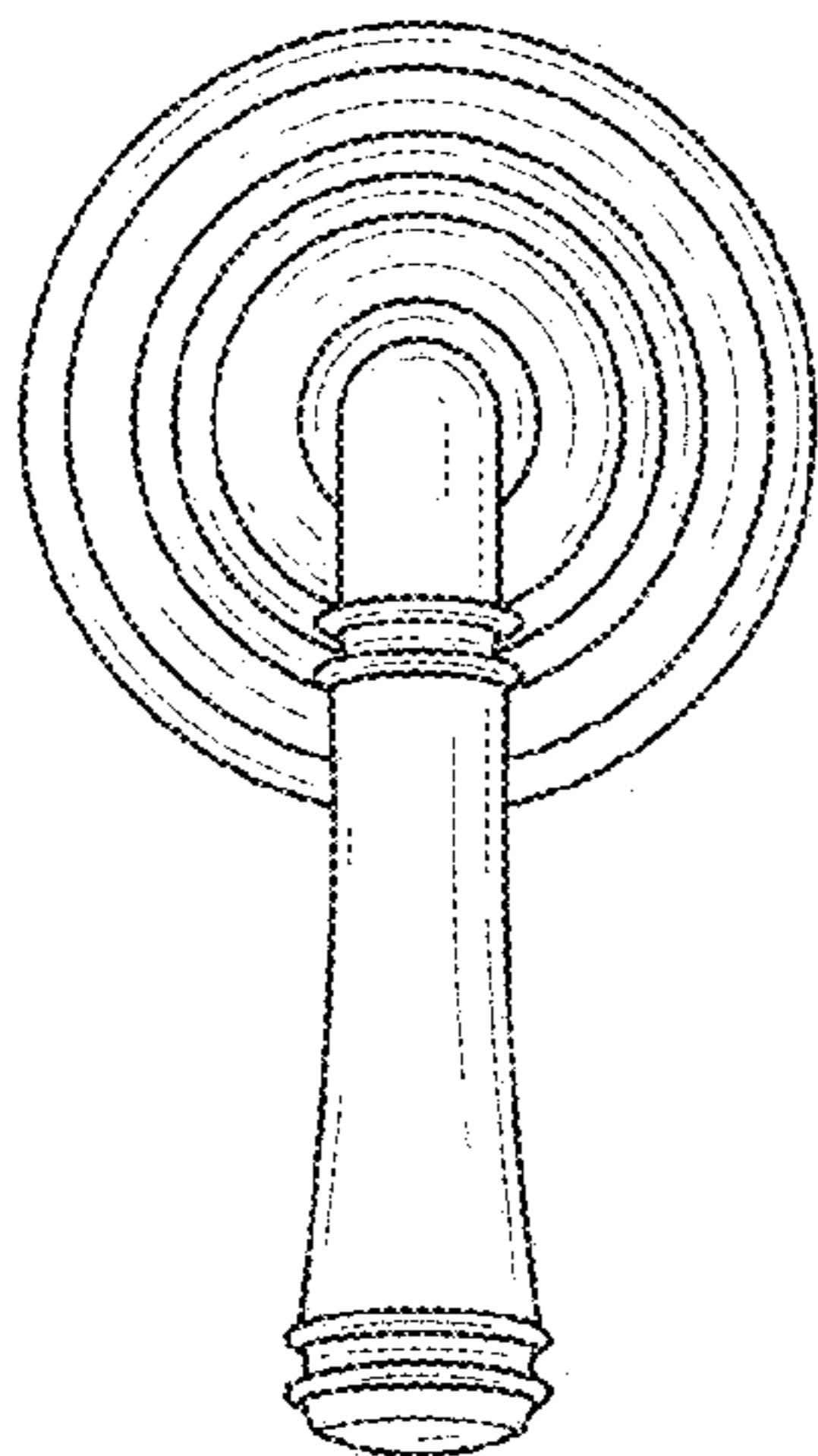
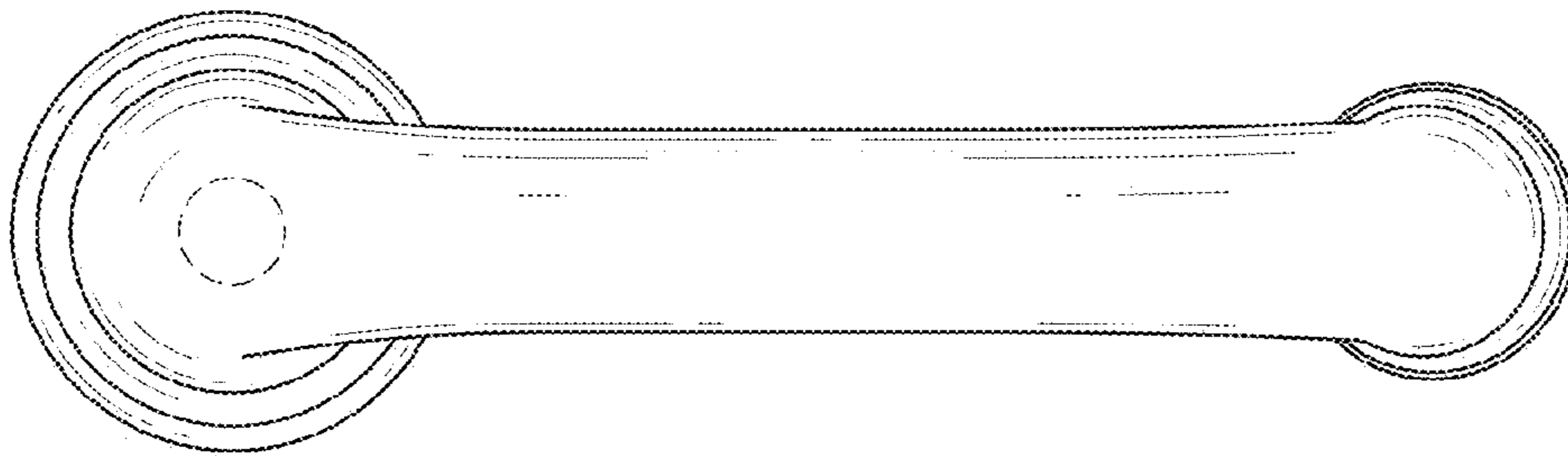
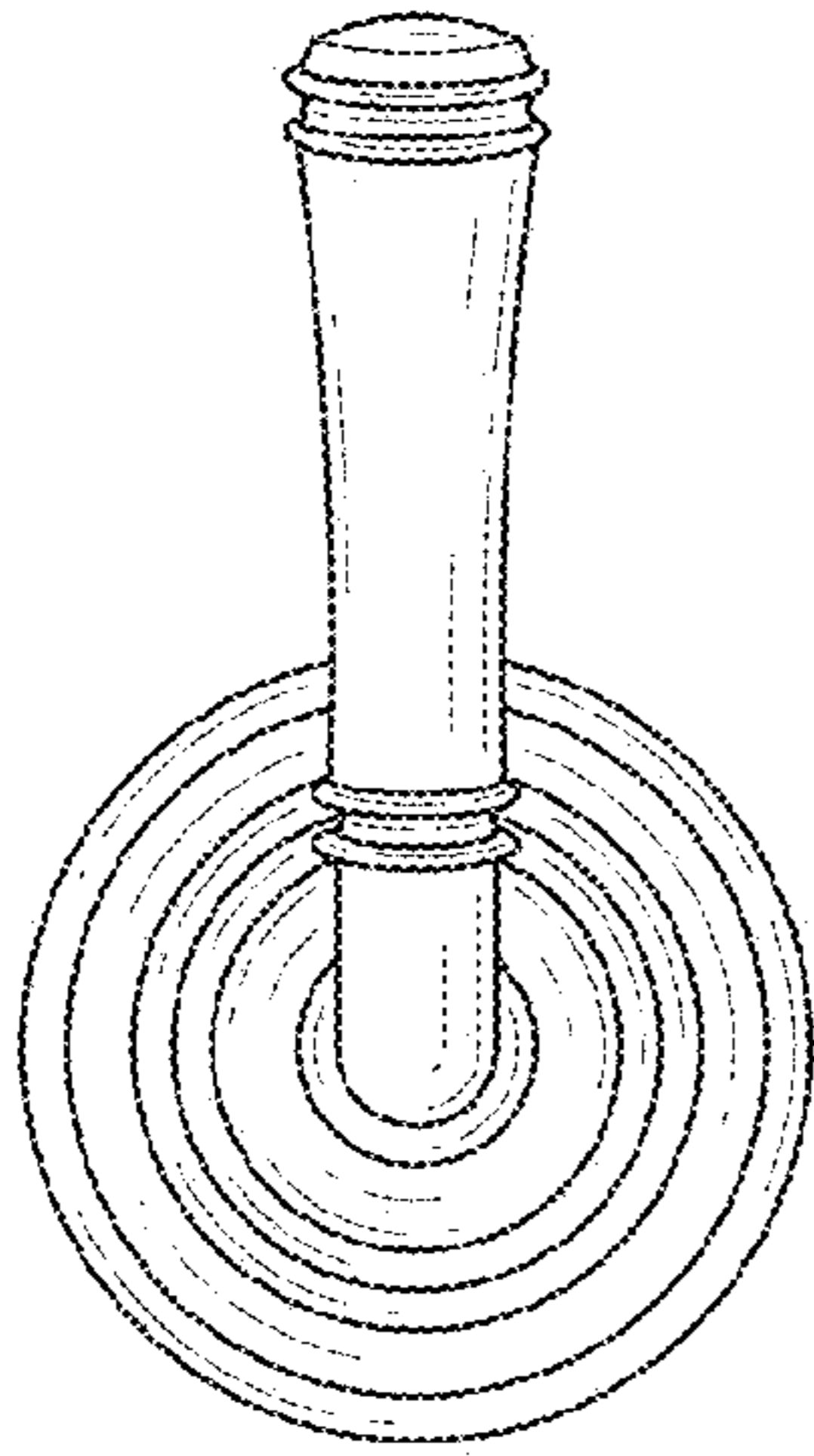


FIG.4

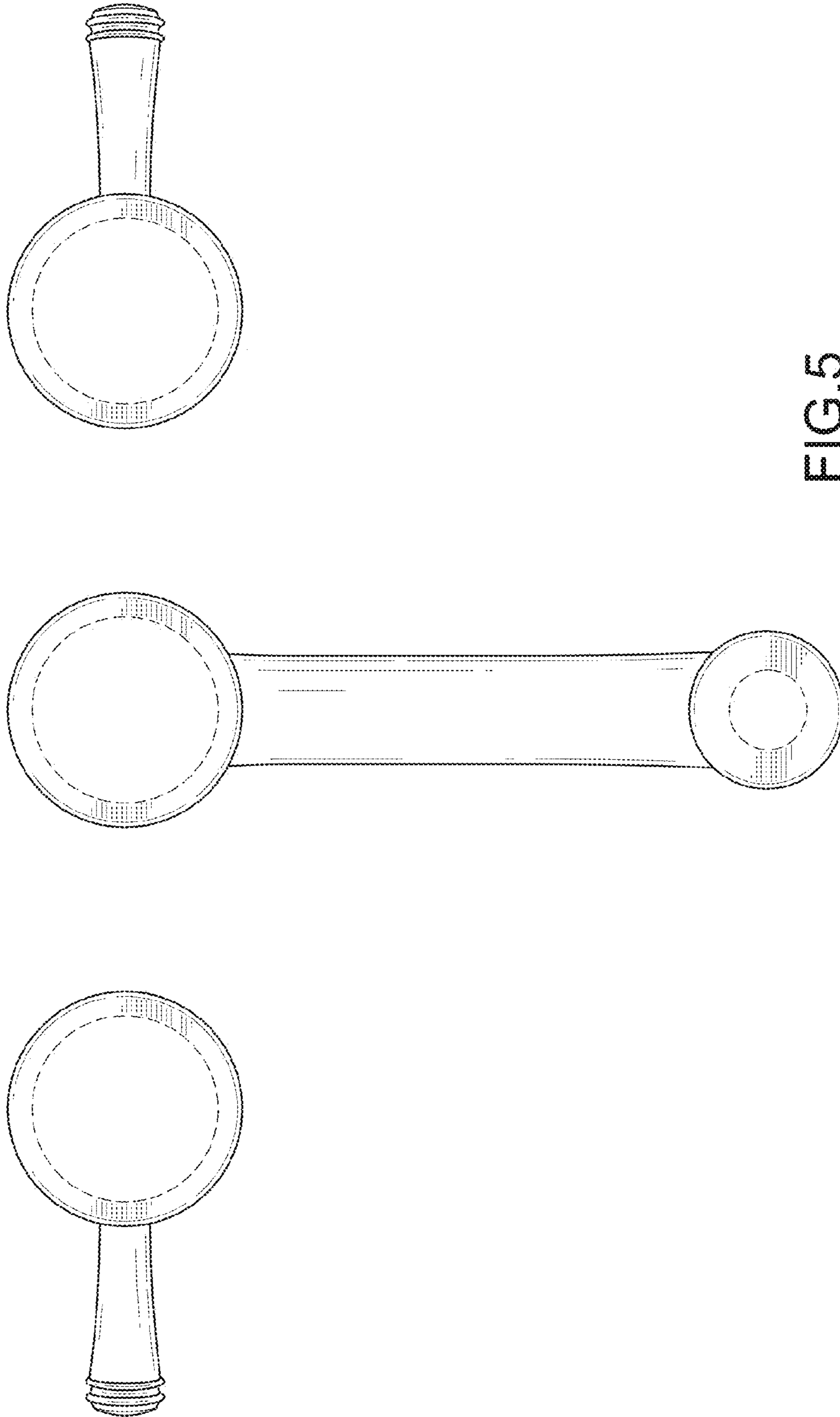


FIG. 5

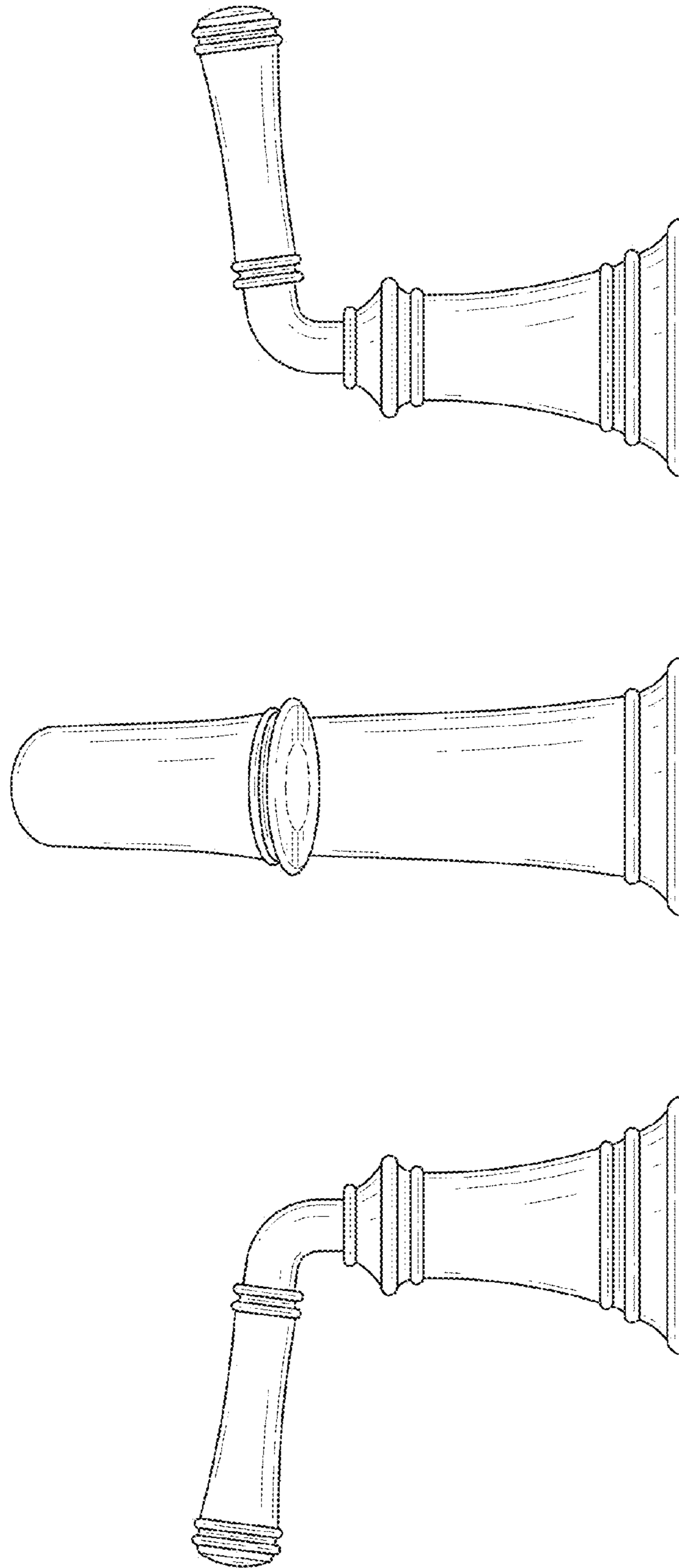


FIG.6

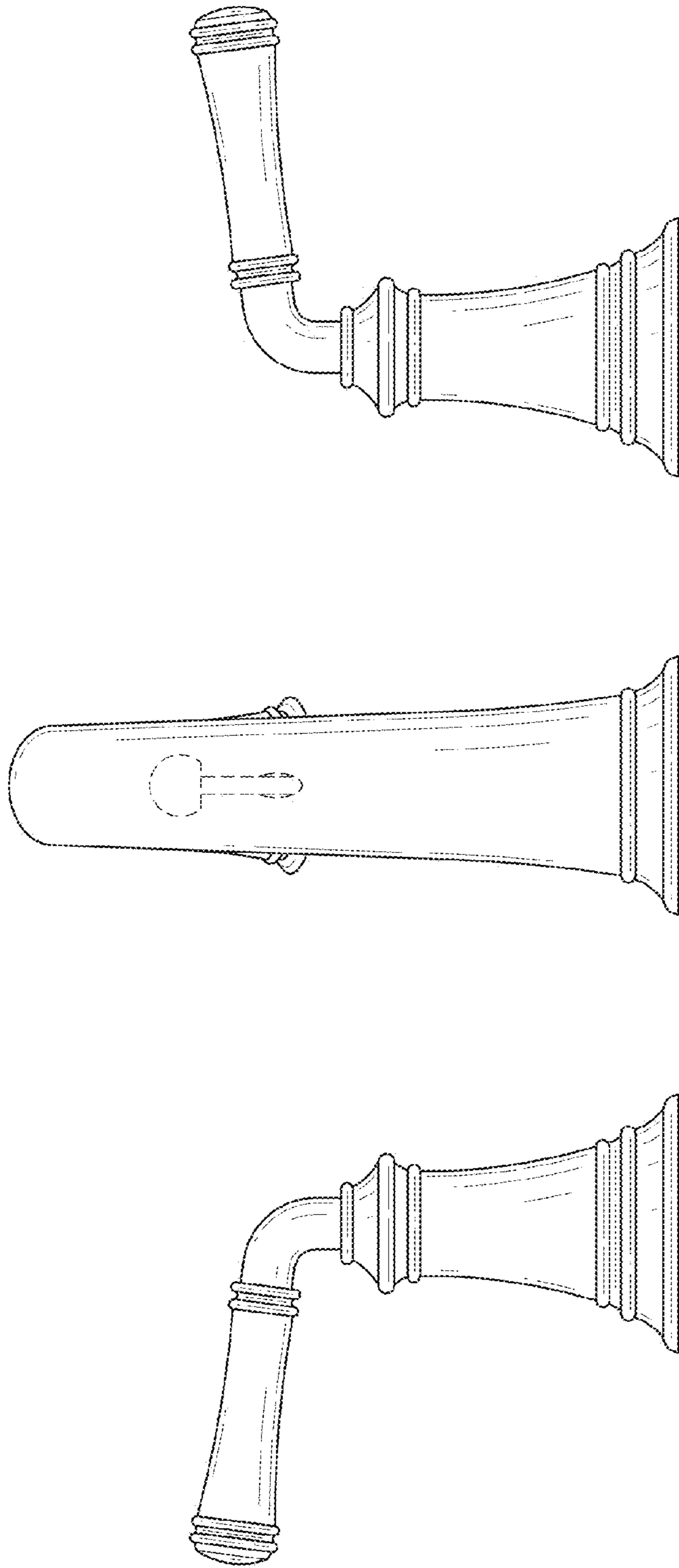


FIG.7