



US00D767727S

(12) **United States Design Patent**  
**Eads**

(10) **Patent No.:** **US D767,727 S**

(45) **Date of Patent:** **\*\* Sep. 27, 2016**

(54) **FAUCET**

(71) Applicant: **Delta Faucet Company**, Indianapolis, IN (US)

(72) Inventor: **Thad James Eads**, North Manchester, IN (US)

(73) Assignee: **DELTA FAUCET COMPANY**, Indianapolis, IN (US)

(\*\*) Term: **15 Years**

(21) Appl. No.: **29/537,611**

(22) Filed: **Aug. 27, 2015**

(51) **LOC (10) Cl.** ..... **23-01**

(52) **U.S. Cl.**  
USPC ..... **D23/242**

(58) **Field of Classification Search**  
USPC ..... D23/238, 241–243, 249–250, 252, D23/254–255, 257  
CPC ..... E03C 1/04; E03C 1/0401; E03C 1/0402; E03C 1/0404; F16K 31/602; F16K 31/605; F16K 31/607  
See application file for complete search history.

(56) **References Cited**

**U.S. PATENT DOCUMENTS**

D298,275 S \* 10/1988 Hill ..... D23/252  
D517,655 S \* 3/2006 Ogata ..... D23/241

D601,227 S \* 9/2009 Sieger ..... D23/242  
D625,393 S \* 10/2010 Sieger ..... D23/242  
D636,063 S \* 4/2011 Shieh ..... D23/242  
D760,359 S \* 6/2016 Citterio ..... D23/252

\* cited by examiner

*Primary Examiner* — Robert Delehanty

(74) *Attorney, Agent, or Firm* — Edgar A. Zarins; Nirav D. Parikh

(57) **CLAIM**

The ornamental design for a faucet, as shown and described.

**DESCRIPTION**

FIG. 1 is a perspective view of a faucet showing my new design;

FIG. 2 is a top plan view thereof;

FIG. 3 is a front elevational view thereof;

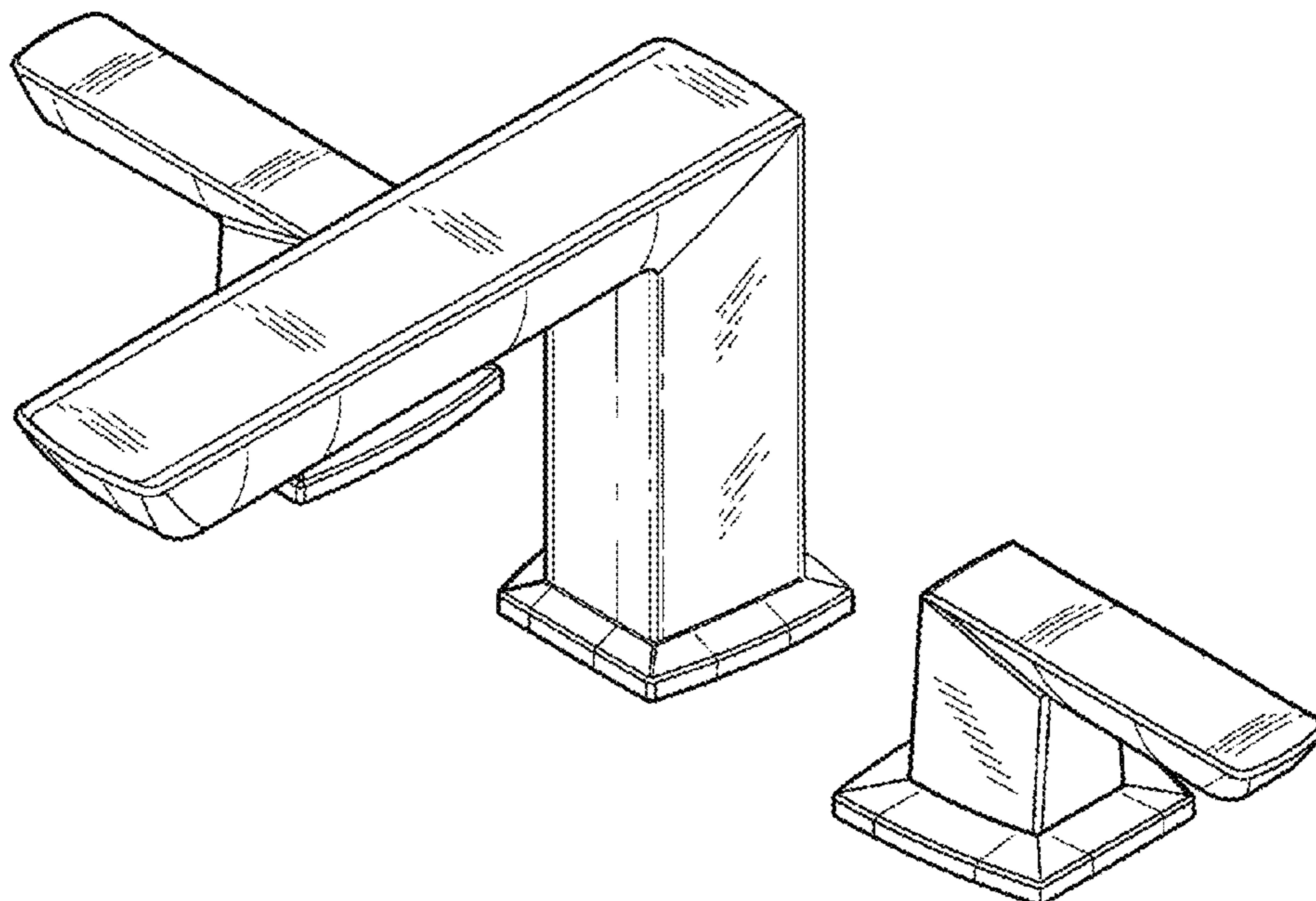
FIG. 4 is a rear view thereof;

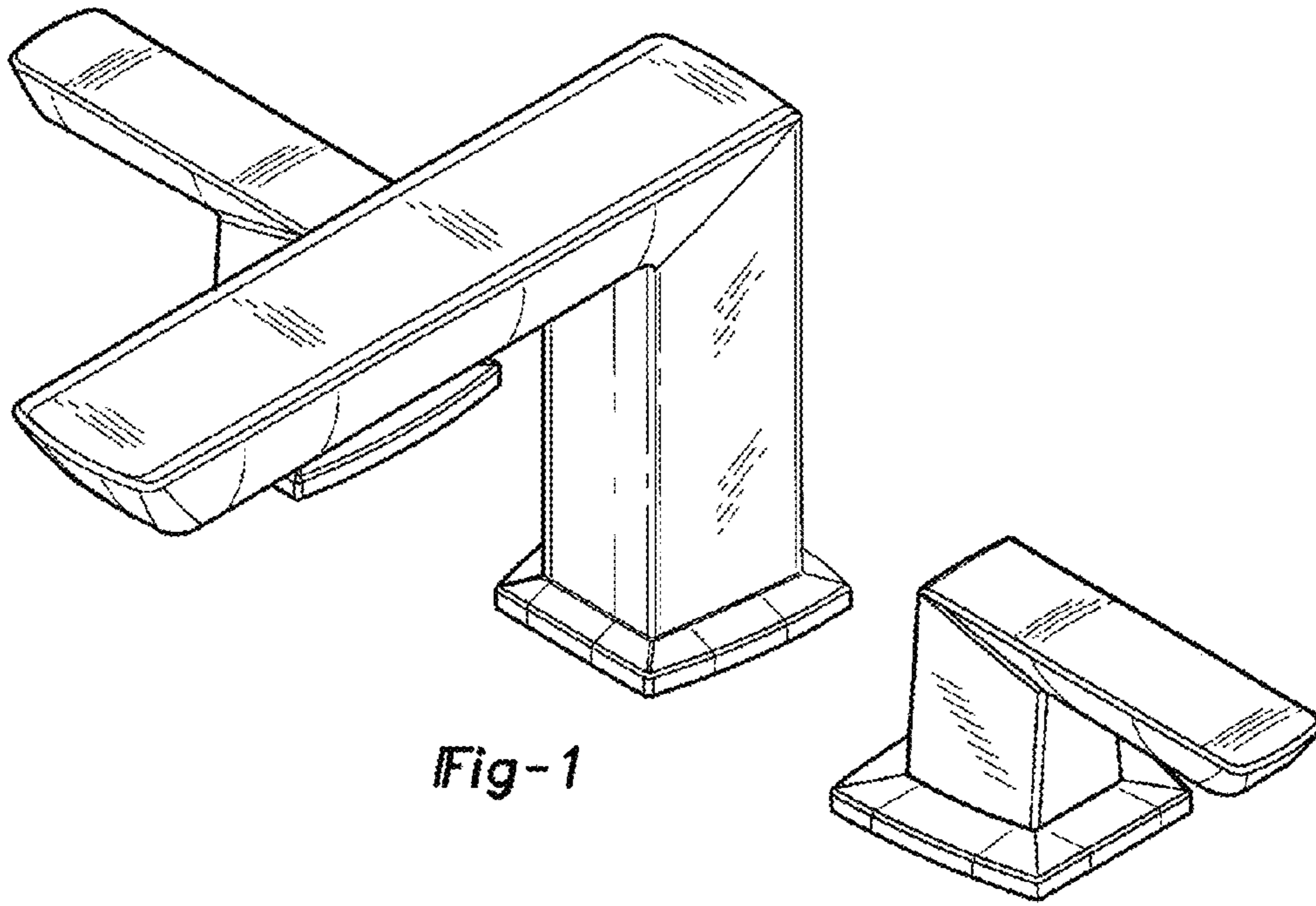
FIG. 5 is a left side view thereof, the opposite side being a mirror image of the side shown; and,

FIG. 6 is a bottom view thereof.

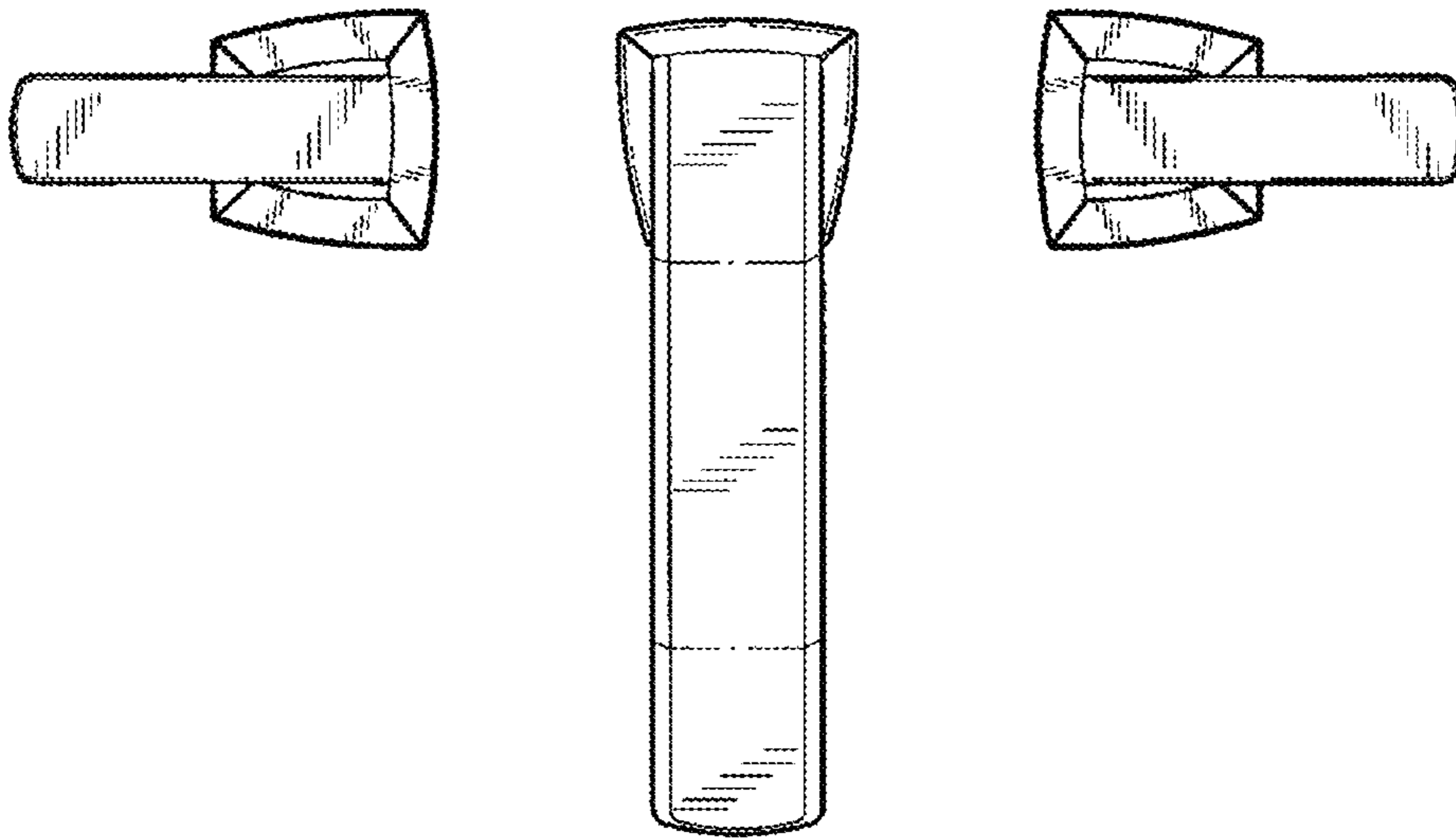
The broken line showing a portion of the faucet forms no part of the claimed design.

**1 Claim, 3 Drawing Sheets**

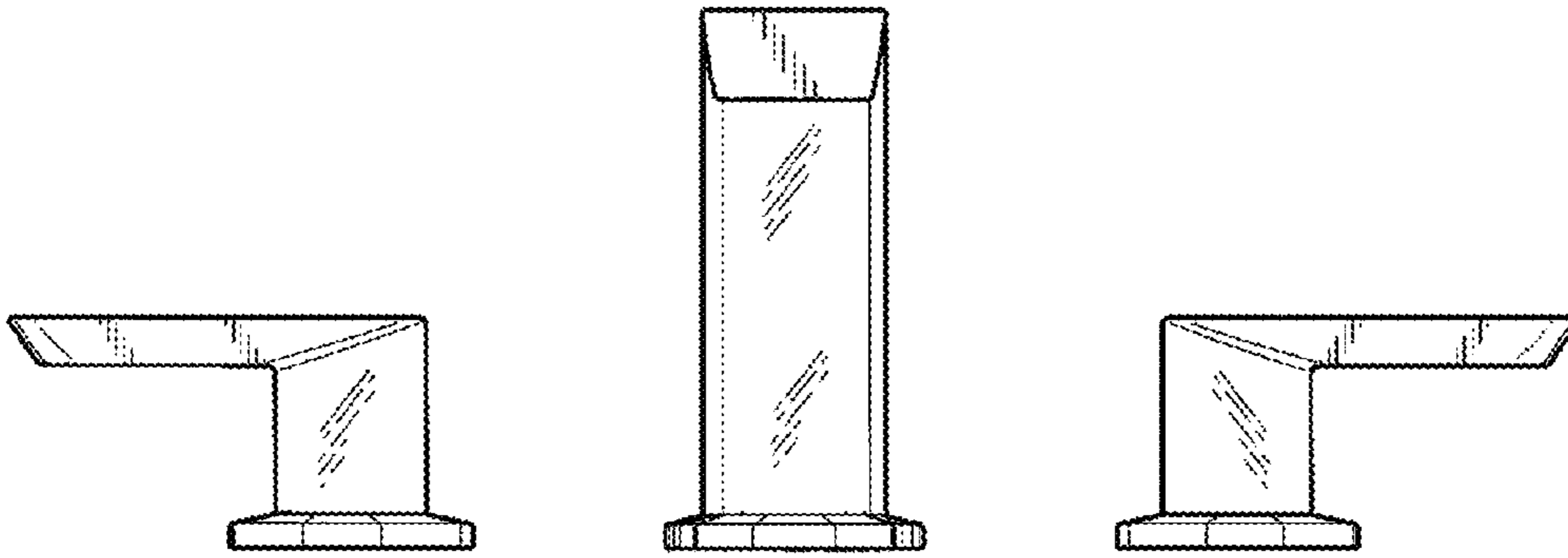




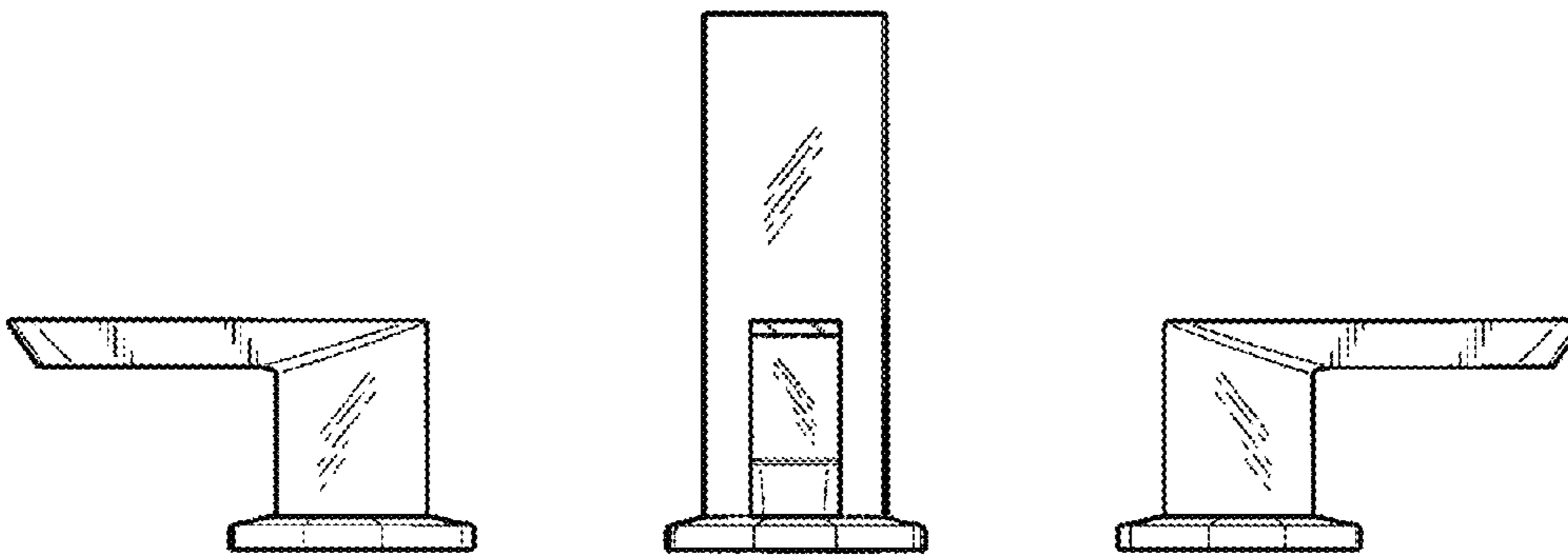
*Fig-1*



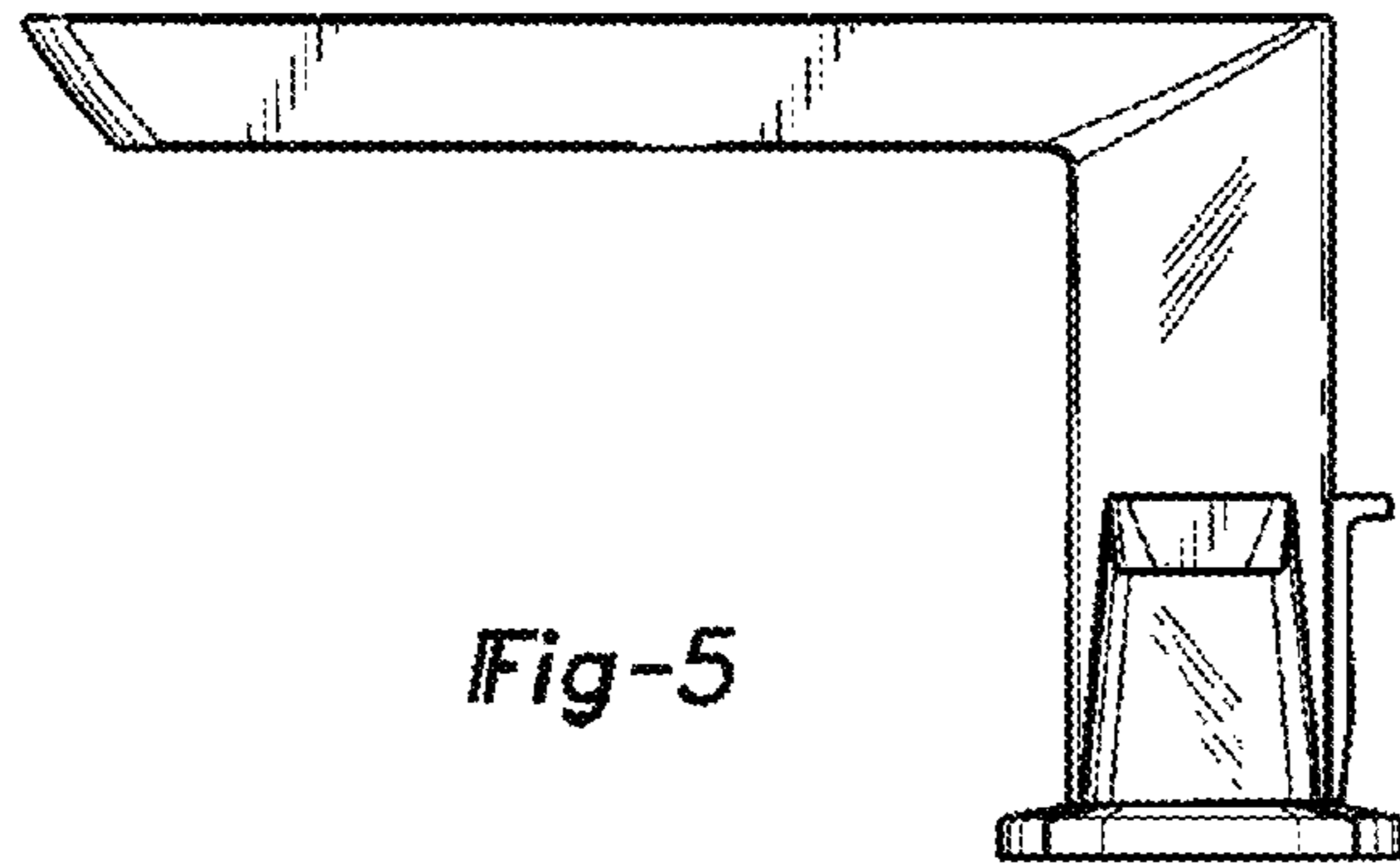
*Fig-2*



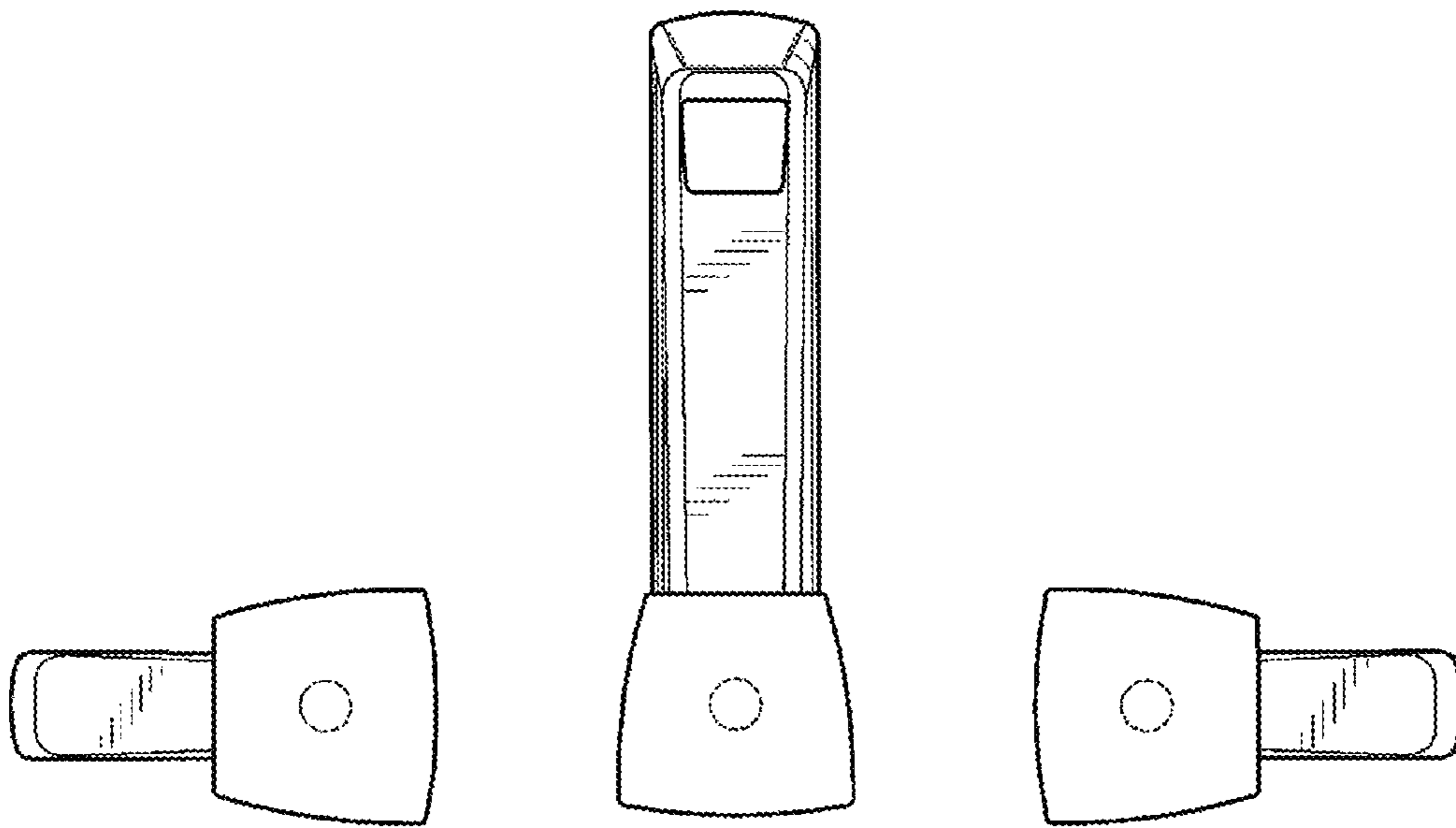
*Fig-3*



*Fig-4*



*Fig-5*



*Fig-6*