

US00D767725S

(12) **United States Design Patent** (10) **Patent No.:** **US D767,725 S**  
**Eads** (45) **Date of Patent:** **\*\* Sep. 27, 2016**

(54) **FAUCET**

(71) Applicant: **Delta Faucet Company**, Indianapolis, IN (US)

(72) Inventor: **Thad James Eads**, North Manchester, IN (US)

(73) Assignee: **DELTA FAUCET COMPANY**, Indianapolis, IN (US)

(\*\*) Term: **15 Years**

(21) Appl. No.: **29/537,603**

(22) Filed: **Aug. 27, 2015**

(51) **LOC (10) Cl.** ..... **23-01**

(52) **U.S. Cl.**  
USPC ..... **D23/238**

(58) **Field of Classification Search**  
USPC ..... D23/238, 241–243, 249–250, 252, D23/254–255, 257  
CPC ..... E03C 1/04; E03C 1/0401; E03C 1/0402; E03C 1/0404; F16K 31/602; F16K 31/605; F16K 31/607  
See application file for complete search history.

(56) **References Cited**

**U.S. PATENT DOCUMENTS**

D517,655 S \* 3/2006 Ogata ..... D23/241  
D602,574 S \* 10/2009 Downey ..... D23/252

D609,309 S \* 2/2010 Fritz ..... D23/250  
D664,242 S \* 7/2012 Gao ..... D23/252  
D667,084 S \* 9/2012 Berger ..... D23/238  
D737,941 S \* 9/2015 Eads ..... D23/255

\* cited by examiner

*Primary Examiner* — Robert Delehanty

(74) *Attorney, Agent, or Firm* — Edgar A. Zarins; Nirav D. Parikh

(57) **CLAIM**

The ornamental design for a faucet, as shown and described.

**DESCRIPTION**

FIG. 1 is a perspective view of a faucet showing my new design;

FIG. 2 is a top plan view thereof;

FIG. 3 is a bottom view thereof;

FIG. 4 is a rear view thereof;

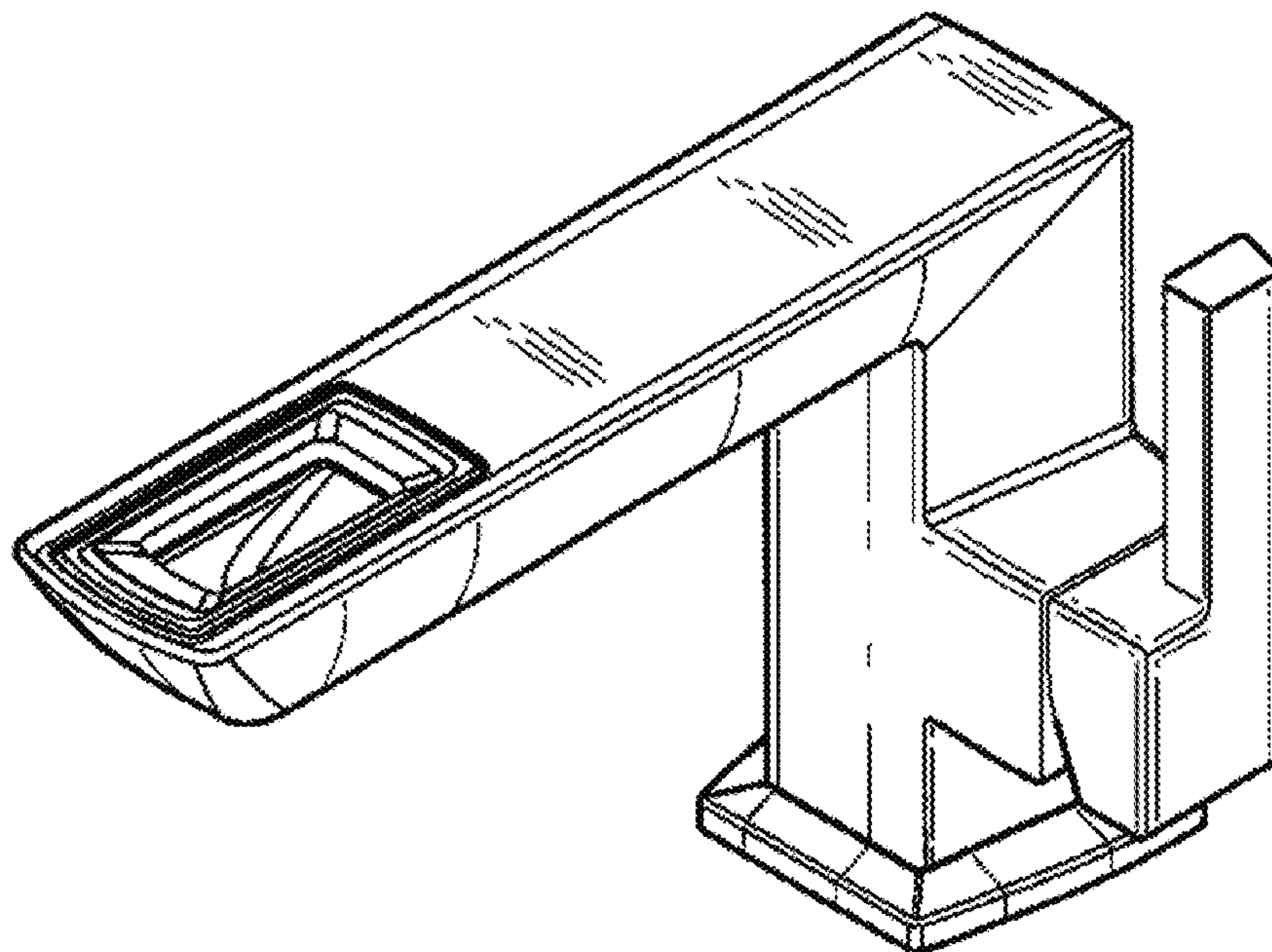
FIG. 5 is a right side view thereof;

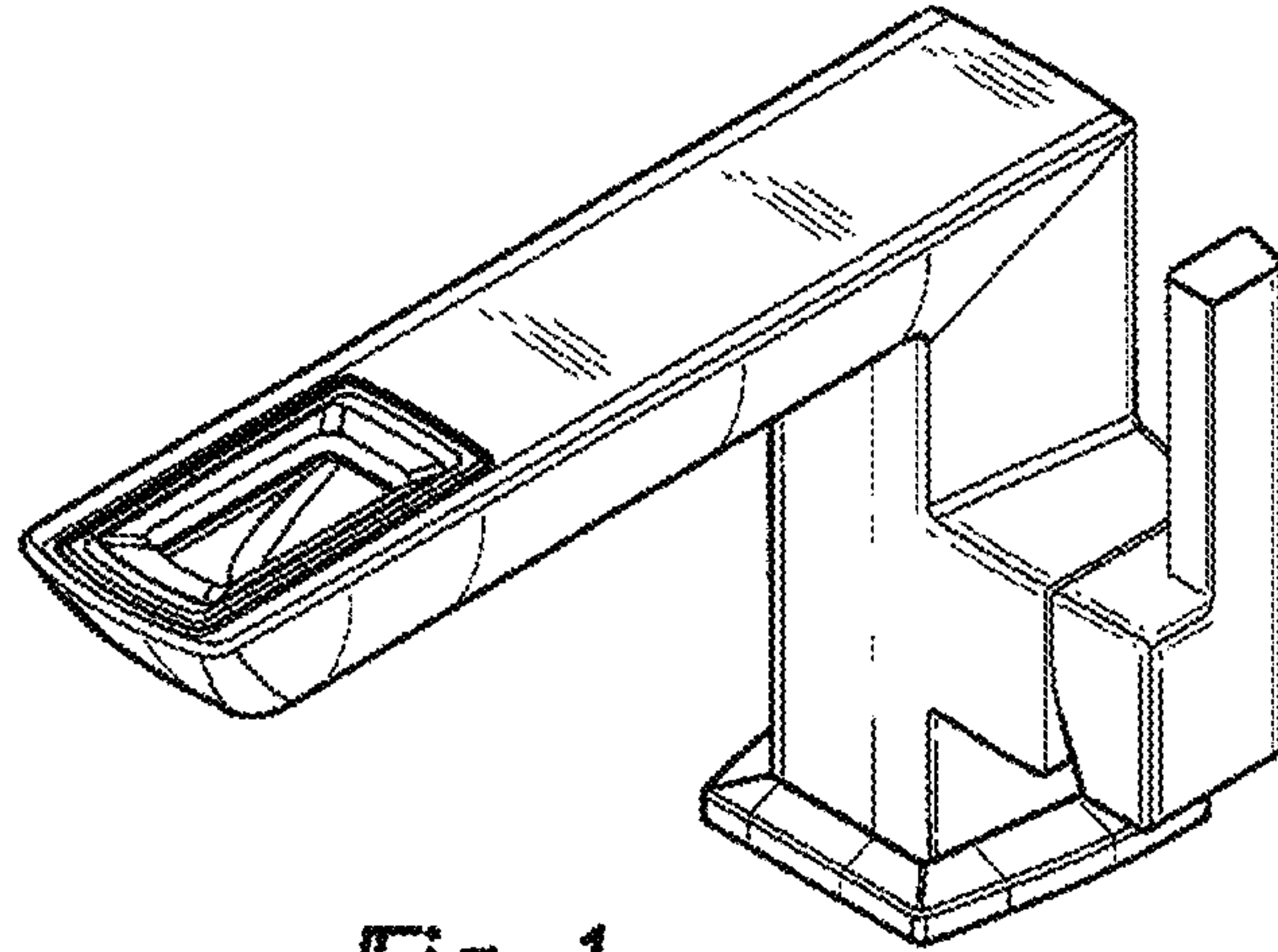
FIG. 6 is a left side view thereof; and,

FIG. 7 is a front elevational view thereof.

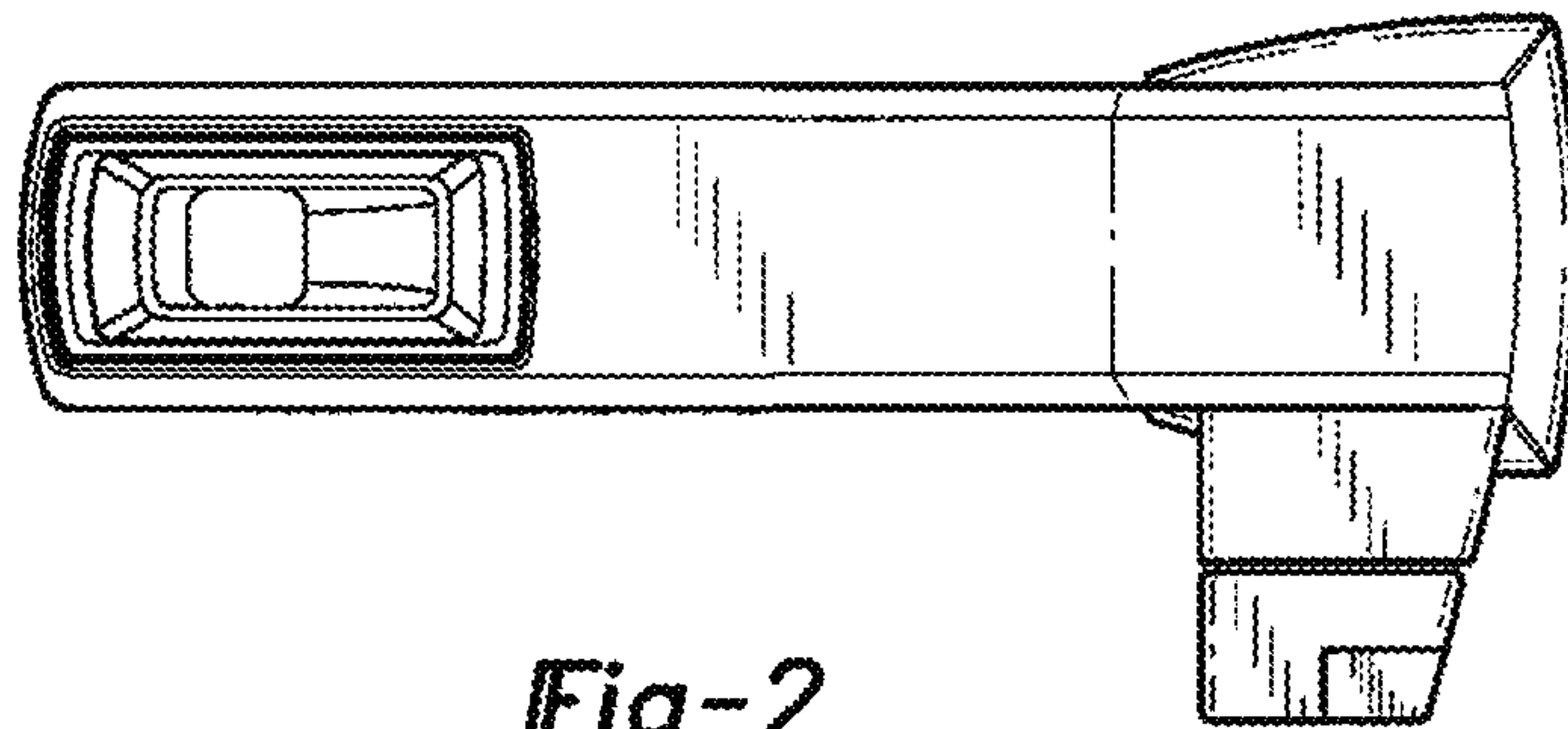
The broken line showing a portion of the faucet forms no part of the claimed design.

**1 Claim, 2 Drawing Sheets**

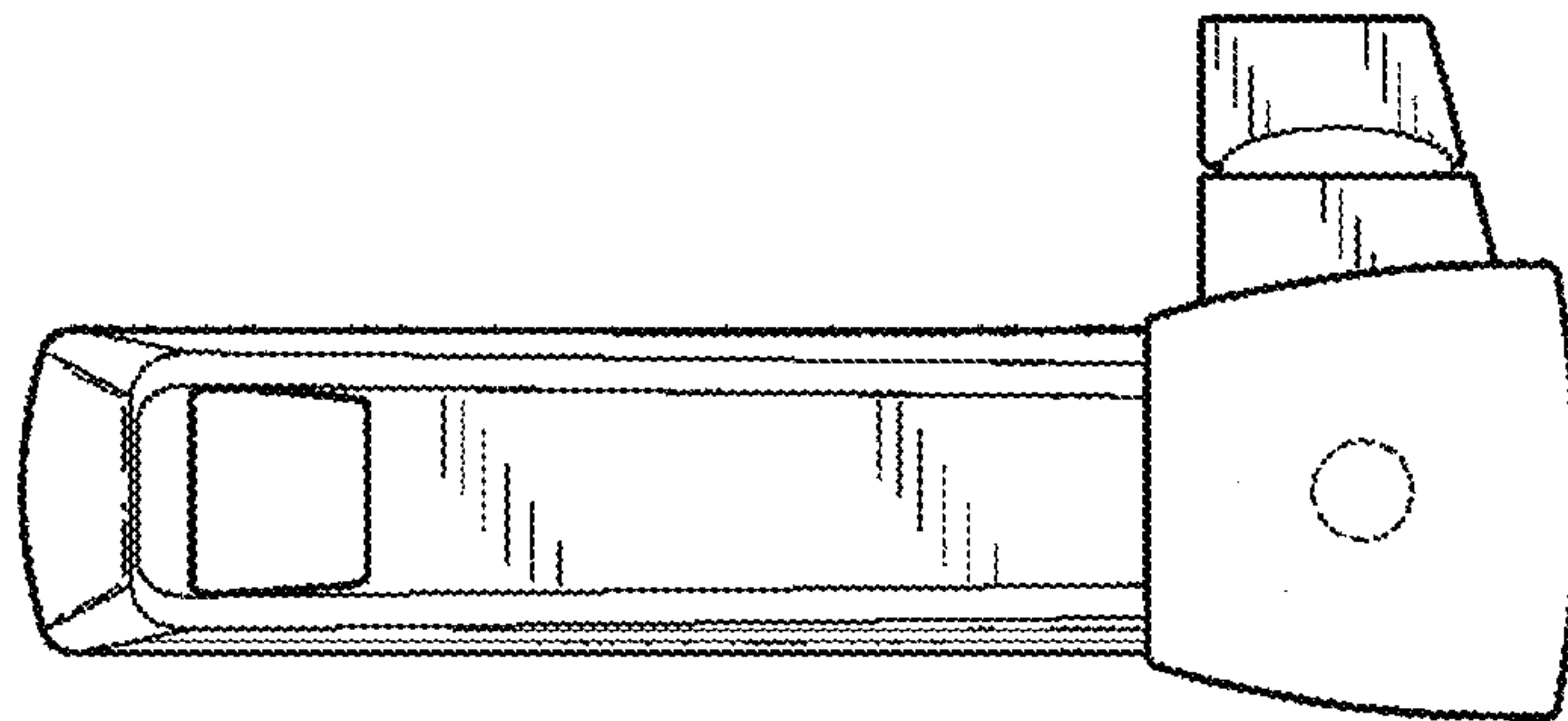




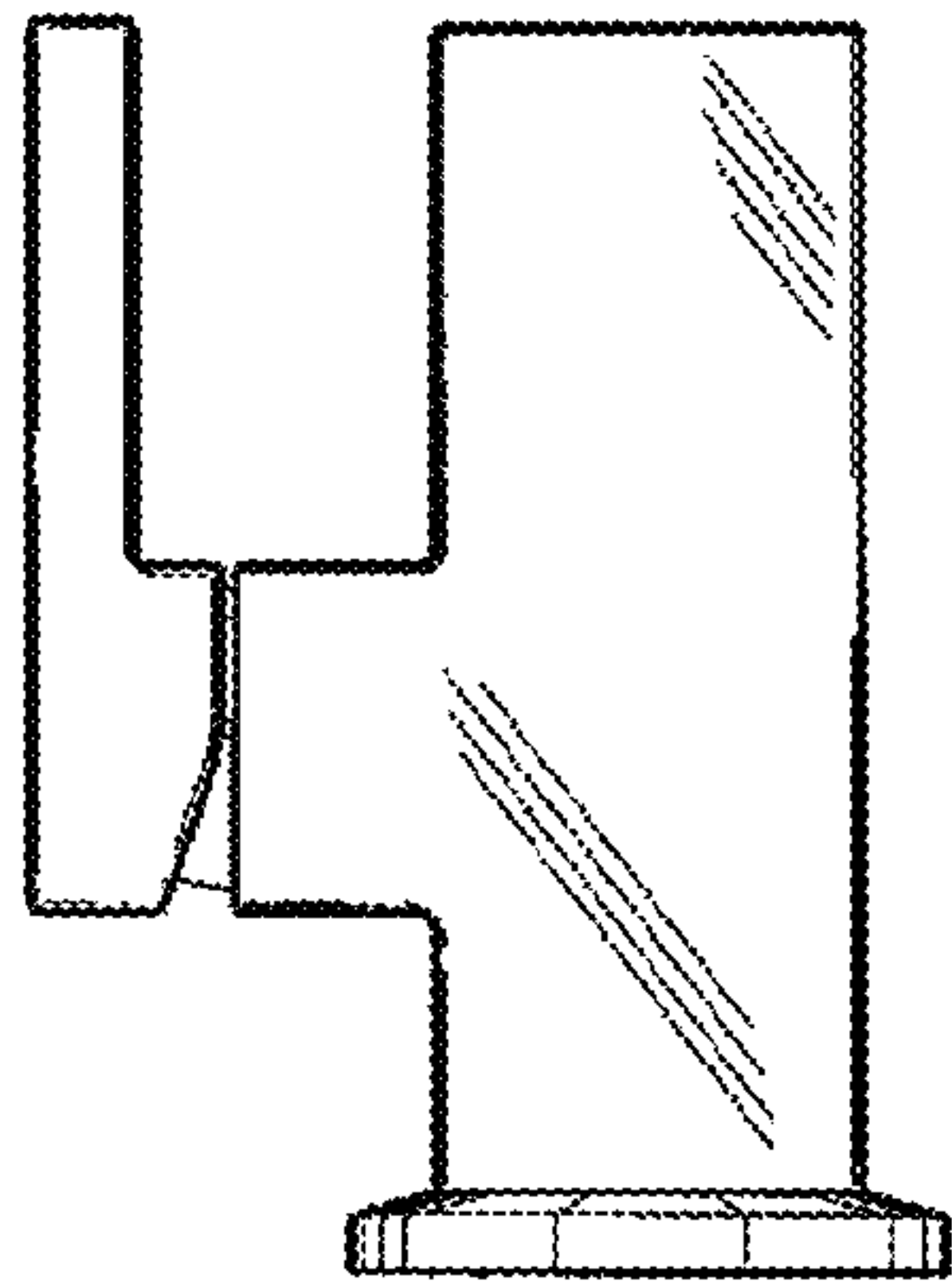
*Fig-1*



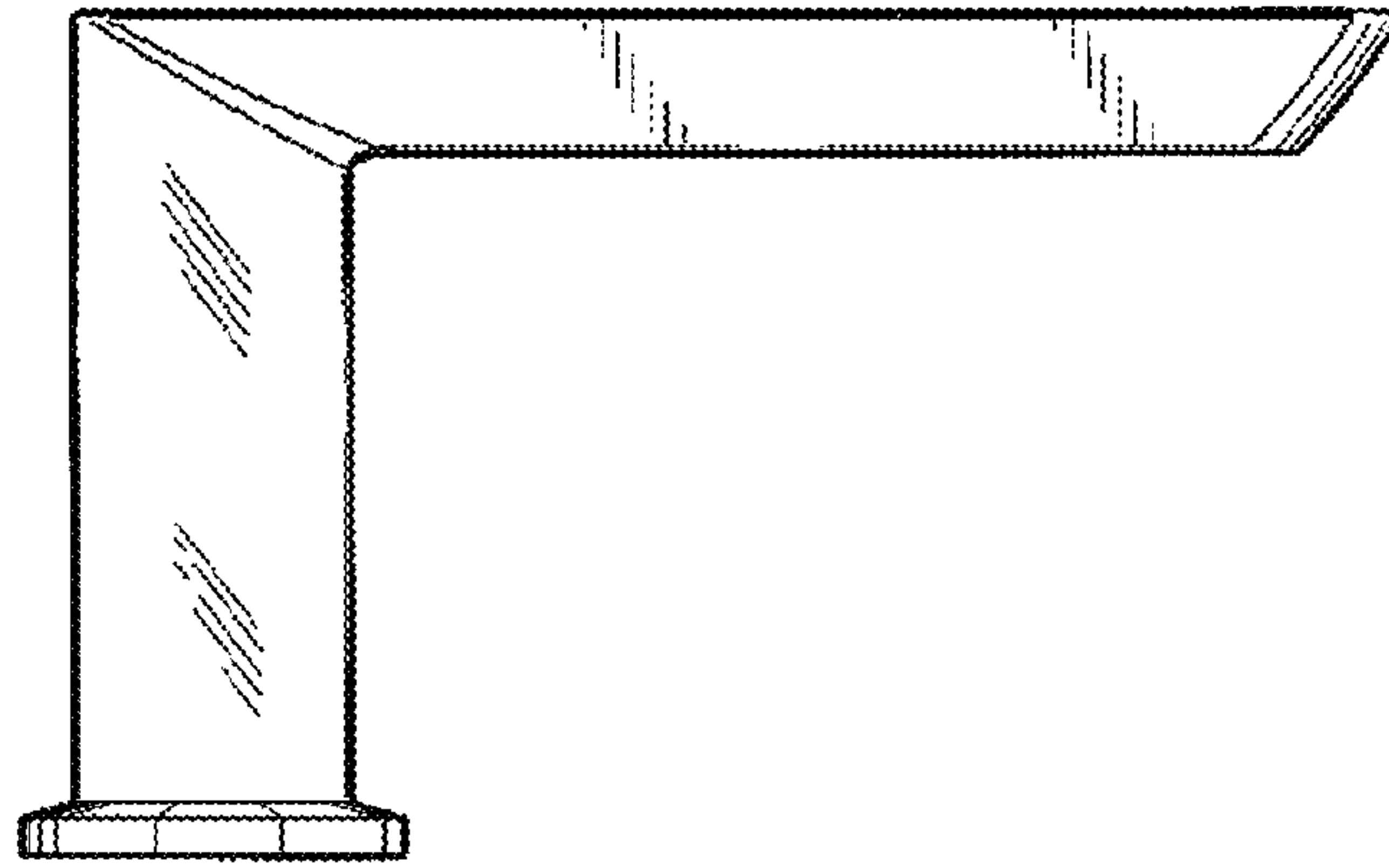
*Fig-2*



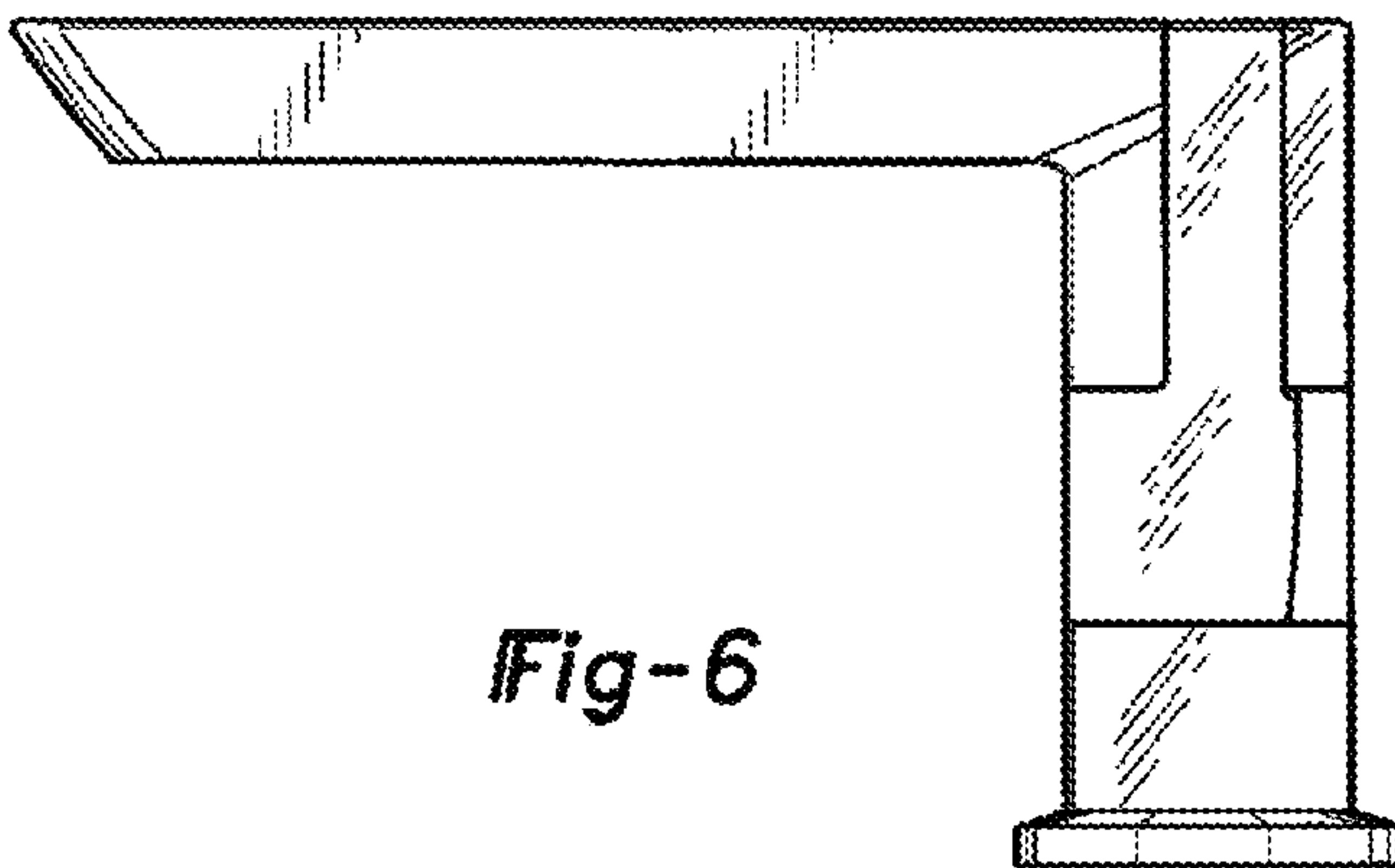
*Fig-3*



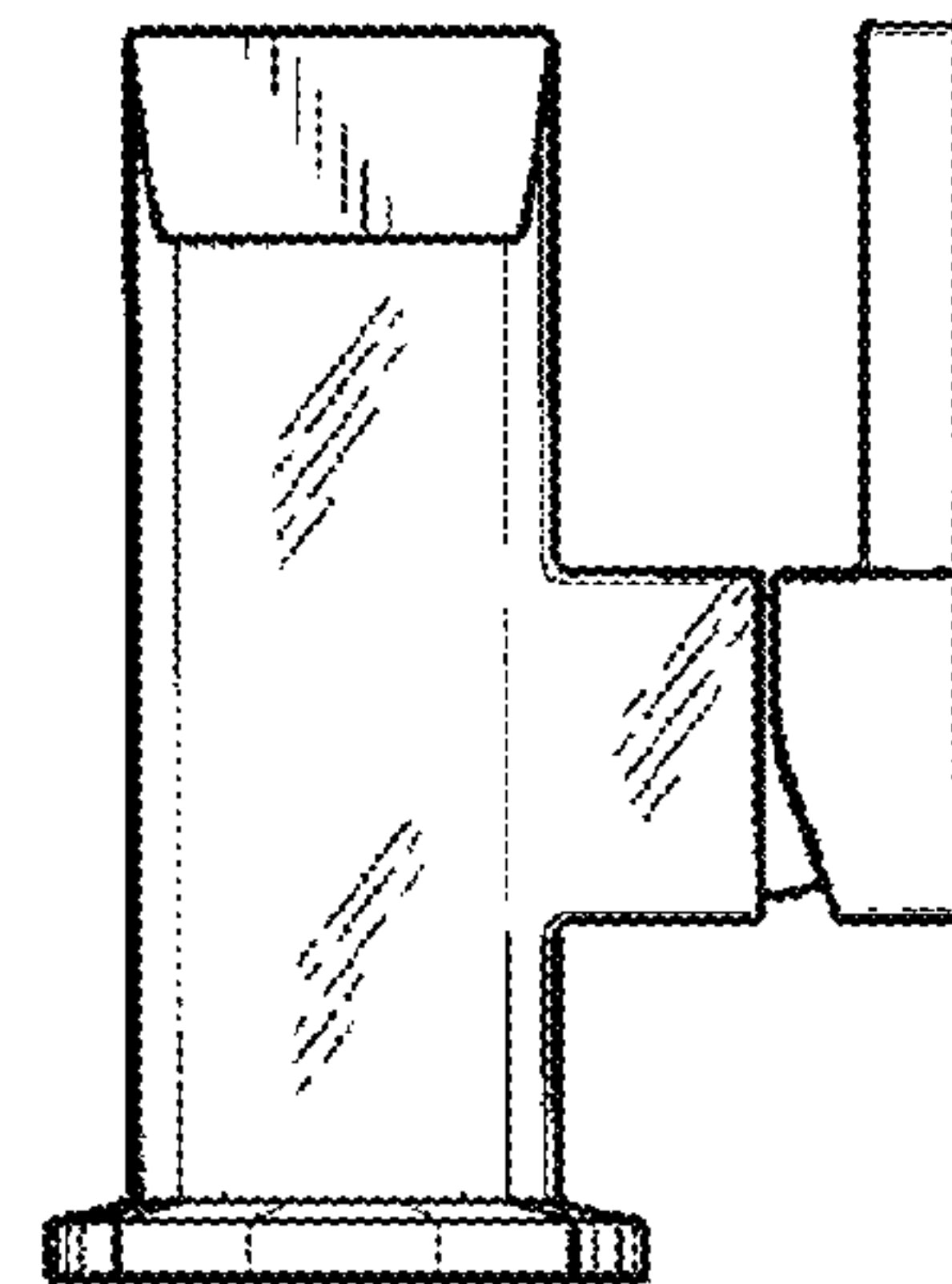
*Fig-4*



*Fig-5*



*Fig-6*



*Fig-7*