



US00D767724S

(12) **United States Design Patent**
Flowers et al.

(10) **Patent No.:** **US D767,724 S**

(45) **Date of Patent:** **** Sep. 27, 2016**

(54) **BASIN MIXER**

D684,666 S * 6/2013 Lord D23/238
D731,623 S * 6/2015 Flowers D23/252
D750,203 S * 2/2016 Flowers D23/238

(71) Applicant: **Grohe AG**, Hemer (DE)

* cited by examiner

(72) Inventors: **Paul Flowers**, London (GB); **Jochen Allard**, Menden (DE)

Primary Examiner — Robert Delehanty

(73) Assignee: **Grohe AG**, Hemer (DE)

(74) *Attorney, Agent, or Firm* — Muncy, Geissler, Olds & Lowe, P.C.

(**) Term: **15 Years**

(21) Appl. No.: **29/534,016**

(22) Filed: **Jul. 24, 2015**

(57) **CLAIM**

The ornamental design for a basin mixer, as shown and described.

(30) **Foreign Application Priority Data**

Jan. 27, 2015 (EM) 002620906-0001

(51) **LOC (10) Cl.** **23-01**

(52) **U.S. Cl.**
USPC **D23/238**

(58) **Field of Classification Search**
USPC D23/238–243, 249–250, 252, 255, 257
CPC E03C 1/04; E03C 1/0401; E03C 1/0402;
E03C 1/0404; F16K 31/602; F16K 31/605;
F16K 31/607
See application file for complete search history.

DESCRIPTION

FIG. 1 is a front perspective view of a basin mixer according to the present invention.

FIG. 2 is a left side view of the basin mixer of FIG. 1.

FIG. 3 is a right side view of the basin mixer of FIG. 1.

FIG. 4 is a front view of the basin mixer of FIG. 1.

FIG. 5 is a rear view of the basin mixer of FIG. 1.

FIG. 6 is a top view of the basin mixer of FIG. 1; and,

FIG. 7 is a bottom view of the basin mixer of FIG. 1.

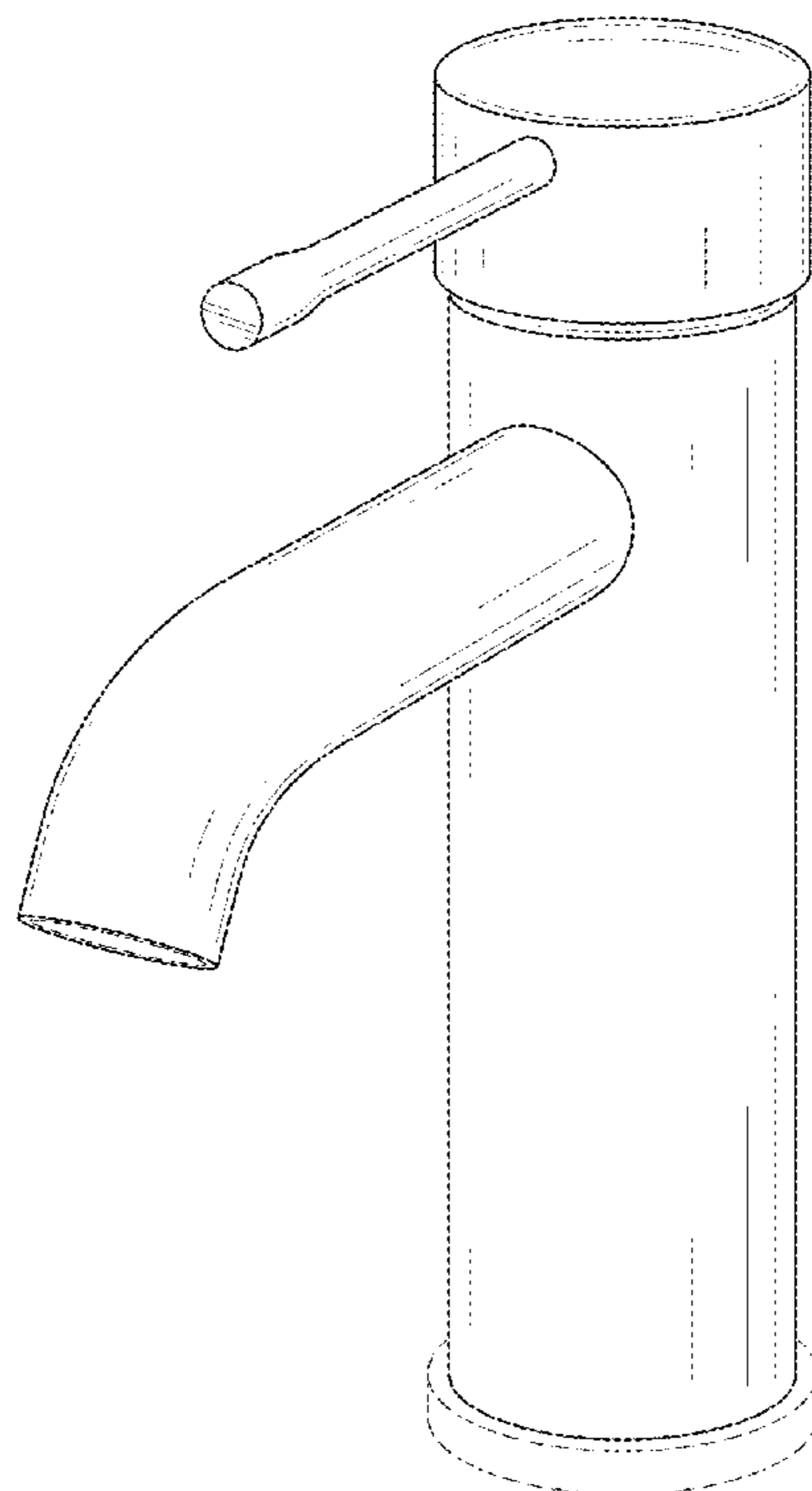
The dashed lines illustrate environment that does not form a part of the present invention, and no claim is made to the material illustrated with dashed lines.

(56) **References Cited**

U.S. PATENT DOCUMENTS

D532,084 S * 11/2006 Toyohara D23/238
D636,061 S * 4/2011 Kulig D23/238

1 Claim, 7 Drawing Sheets



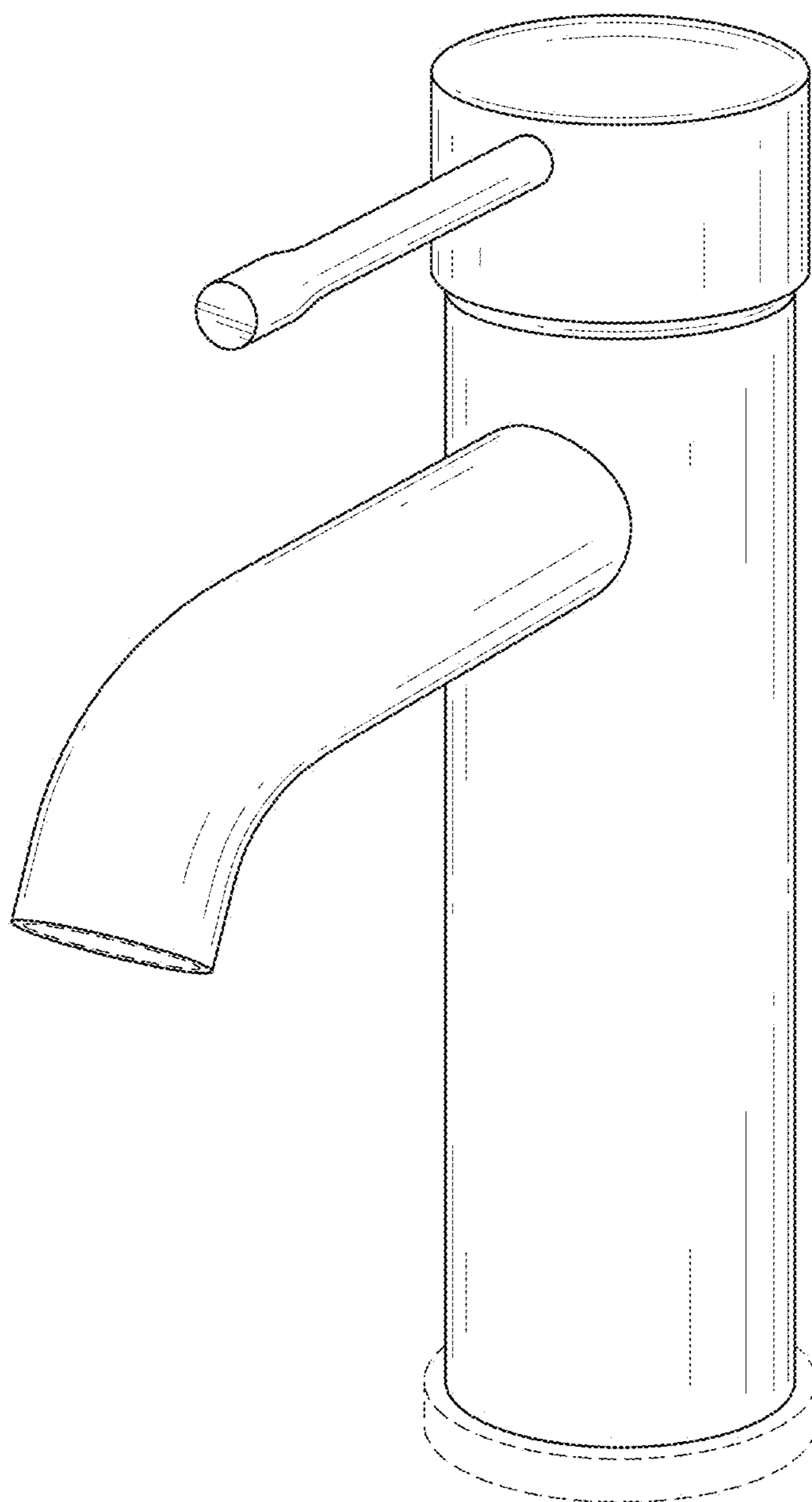


FIG. 1

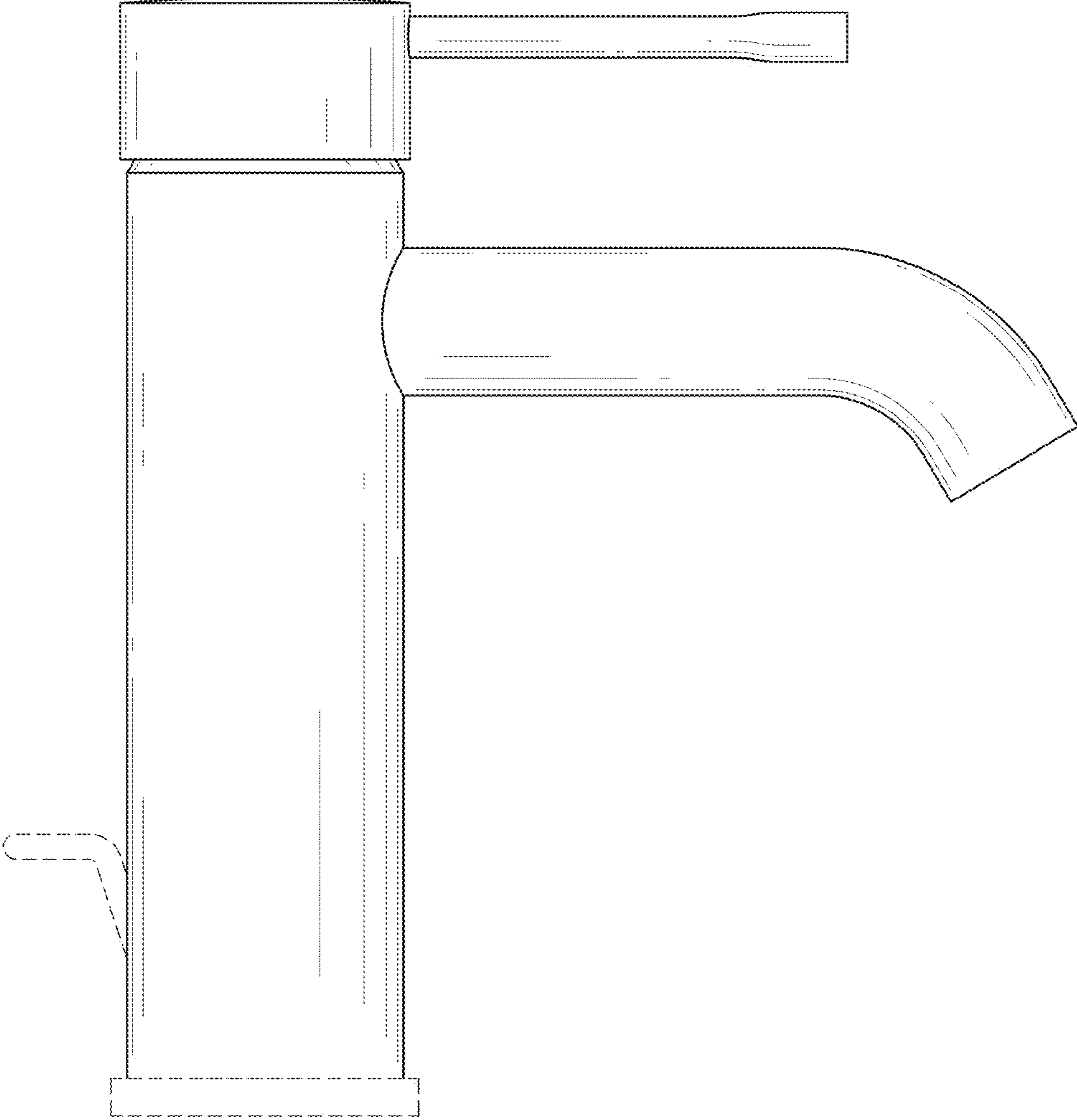


FIG.2

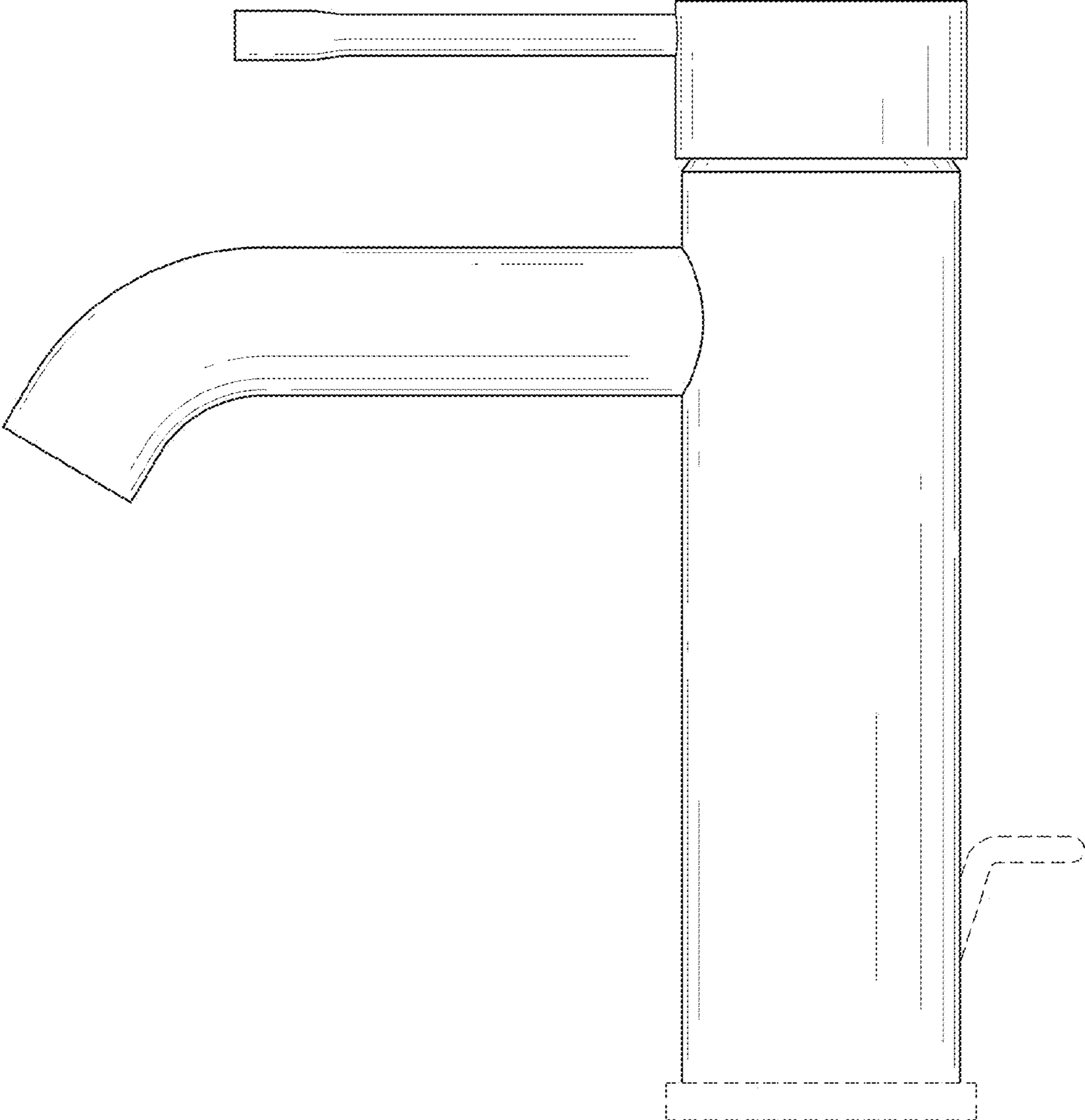


FIG.3

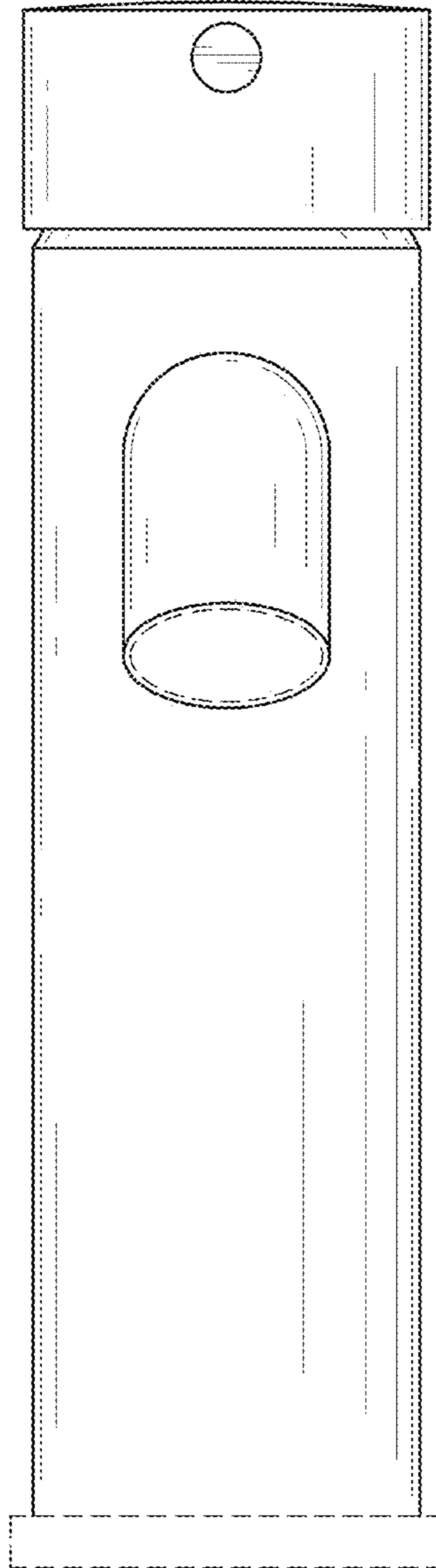


FIG.4

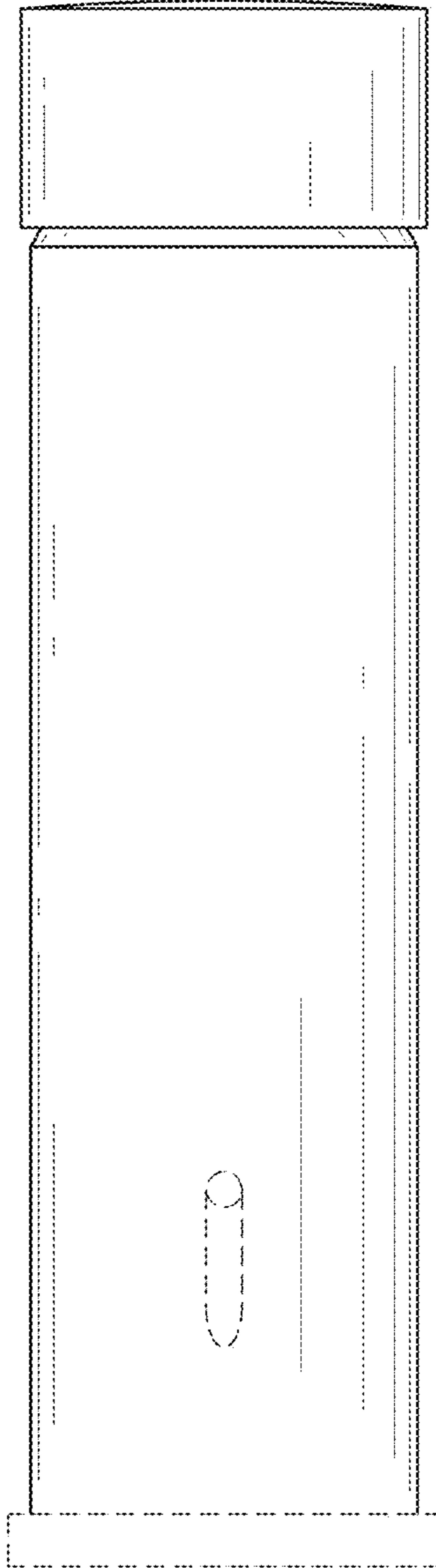


FIG.5

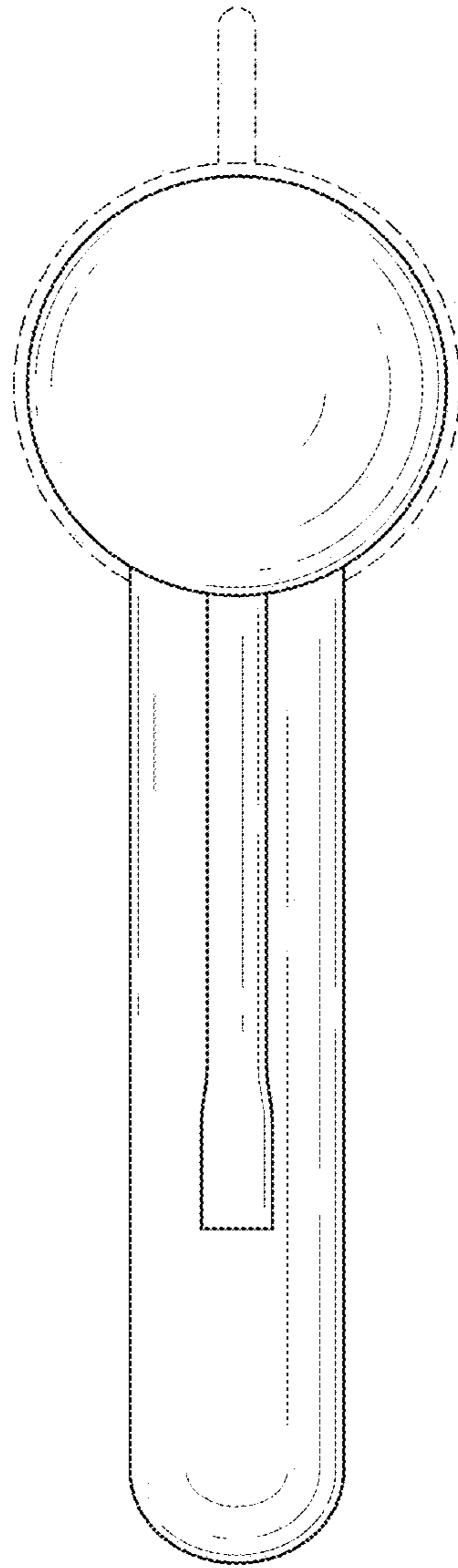


FIG.6

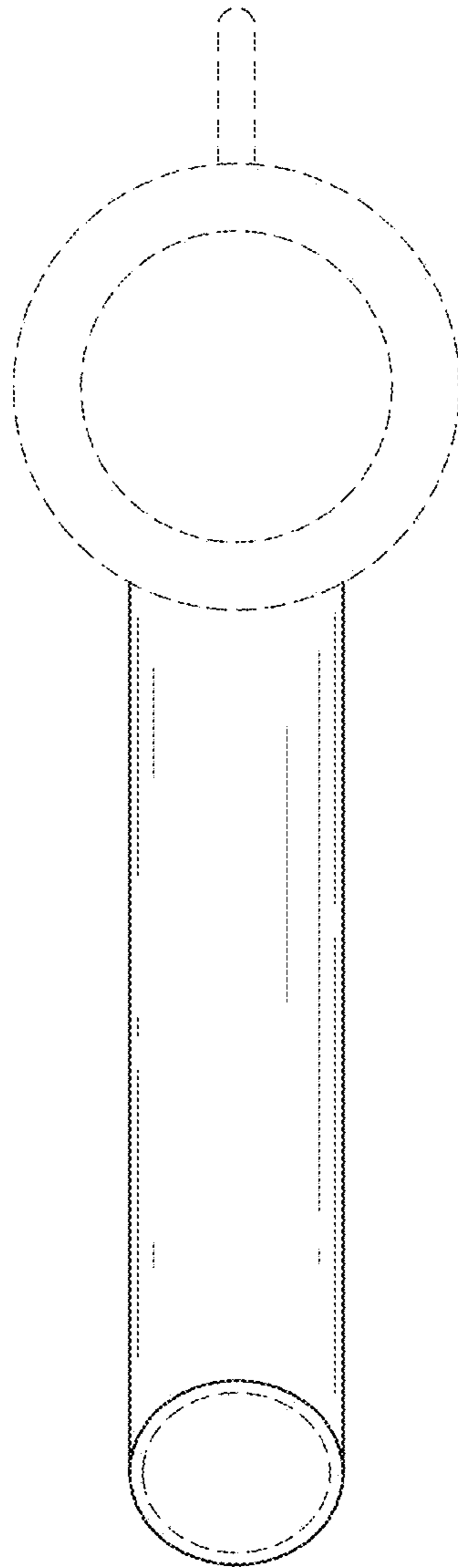


FIG.7