

US00D767722S

(12) **United States Design Patent**  
**Rexach**

(10) **Patent No.:** **US D767,722 S**

(45) **Date of Patent:** **\*\* Sep. 27, 2016**

(54) **FAUCET**

(71) Applicant: **Kohler Co.**, Kohler, WI (US)

(72) Inventor: **Rafael Alfredo Rexach**, Sheboygan, WI (US)

(73) Assignee: **KOHLER CO.**, Kohler, WI (US)

(\*\*) Term: **14 Years**

(21) Appl. No.: **29/519,943**

(22) Filed: **Mar. 9, 2015**

(51) **LOC (10) Cl.** ..... **23-01**

(52) **U.S. Cl.**  
USPC ..... **D23/238**

(58) **Field of Classification Search**  
USPC ..... D23/238-243, 249-250, 252, 254-255,  
D23/257, 253  
CPC ..... E03C 1/04; E03C 1/0401; E03C 1/0402;  
E03C 1/0404; F16K 31/602; F16K 31/605;  
F16K 31/607  
See application file for complete search history.

(56) **References Cited**

**U.S. PATENT DOCUMENTS**

D223,799 S *	6/1972	Jensen	.....	D23/250
D282,197 S *	1/1986	Hu	.....	D23/241
D466,987 S	12/2002	Smith		
D503,217 S *	3/2005	Aubry	.....	D23/238
D530,790 S	10/2006	Kohler, Jr. et al.		
D534,619 S *	1/2007	Garner	.....	D23/238
D534,993 S	1/2007	Kirar		
D563,192 S	3/2008	Barry		

D588,235 S	3/2009	Rexach		
D598,072 S *	8/2009	Zetsche	.....	D23/238
D602,570 S *	10/2009	Lammel	.....	D23/242
D615,162 S *	5/2010	Pan	.....	D23/255
D628,277 S	11/2010	Montgomery		
D645,941 S *	9/2011	Ando	.....	D23/242
D689,987 S	9/2013	Kington et al.		
D720,432 S	12/2014	Hundley et al.		

\* cited by examiner

*Primary Examiner* — Robert Delehanty

(74) *Attorney, Agent, or Firm* — Foley & Lardner LLP

(57) **CLAIM**

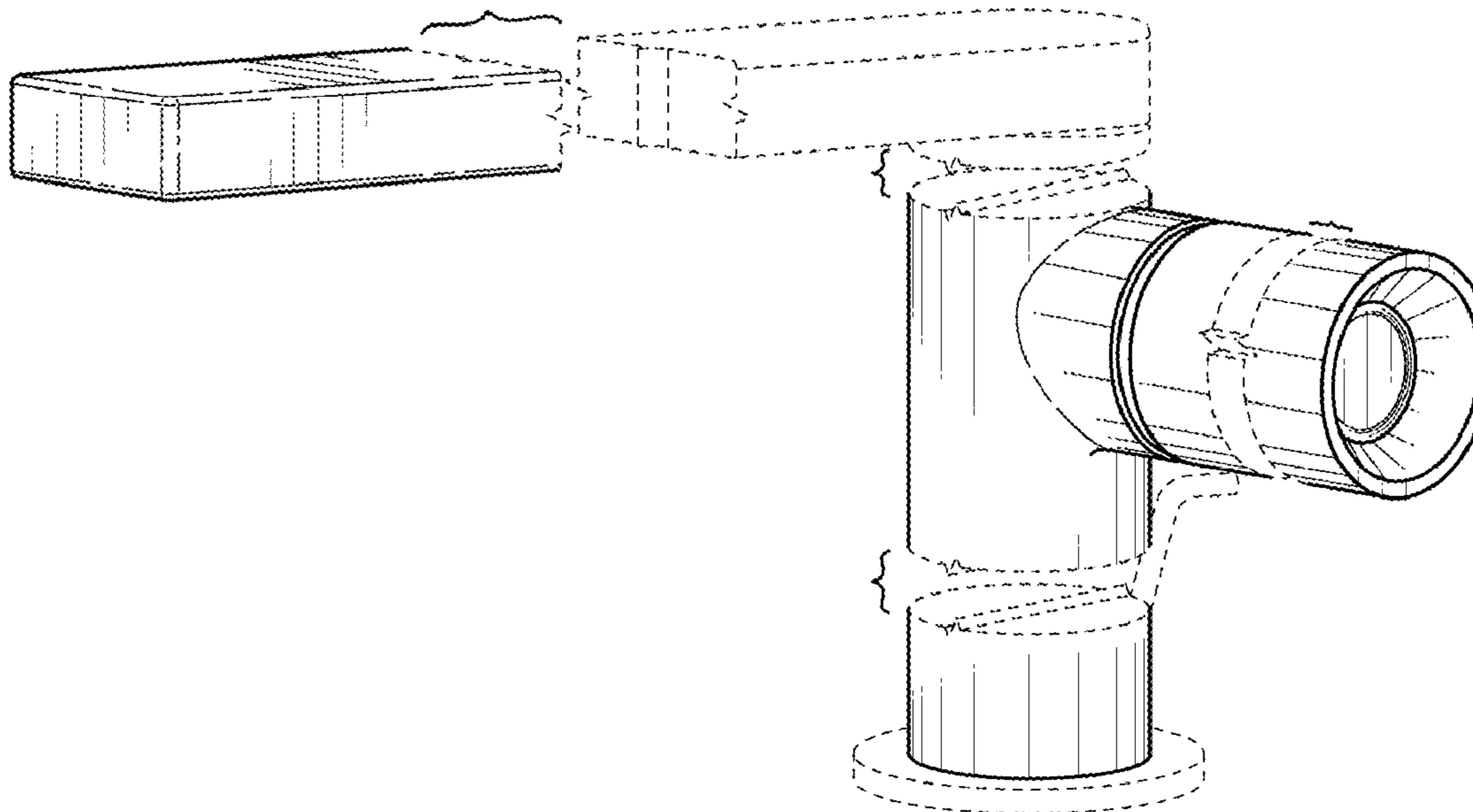
I claim the ornamental design for a faucet, as shown and described.

**DESCRIPTION**

FIG. 1 is a top, front, right perspective view of an embodiment of the claimed design;  
FIG. 2 is a front elevation view thereof;  
FIG. 3 is a rear elevation view thereof;  
FIG. 4 is a left elevation view thereof;  
FIG. 5 is a right elevation view thereof;  
FIG. 6 is a top, plan view thereof; and,  
FIG. 7 is a bottom, plan view thereof.

The ornamental design which is claimed is shown in solid lines in the drawings. The broken lines in the drawings form no part of the claimed design. Broken lines formed by equal length dashes show unclaimed subject matter. Broken away symbols having a jagged element show that no particular length of the portion is claimed.

**1 Claim, 4 Drawing Sheets**



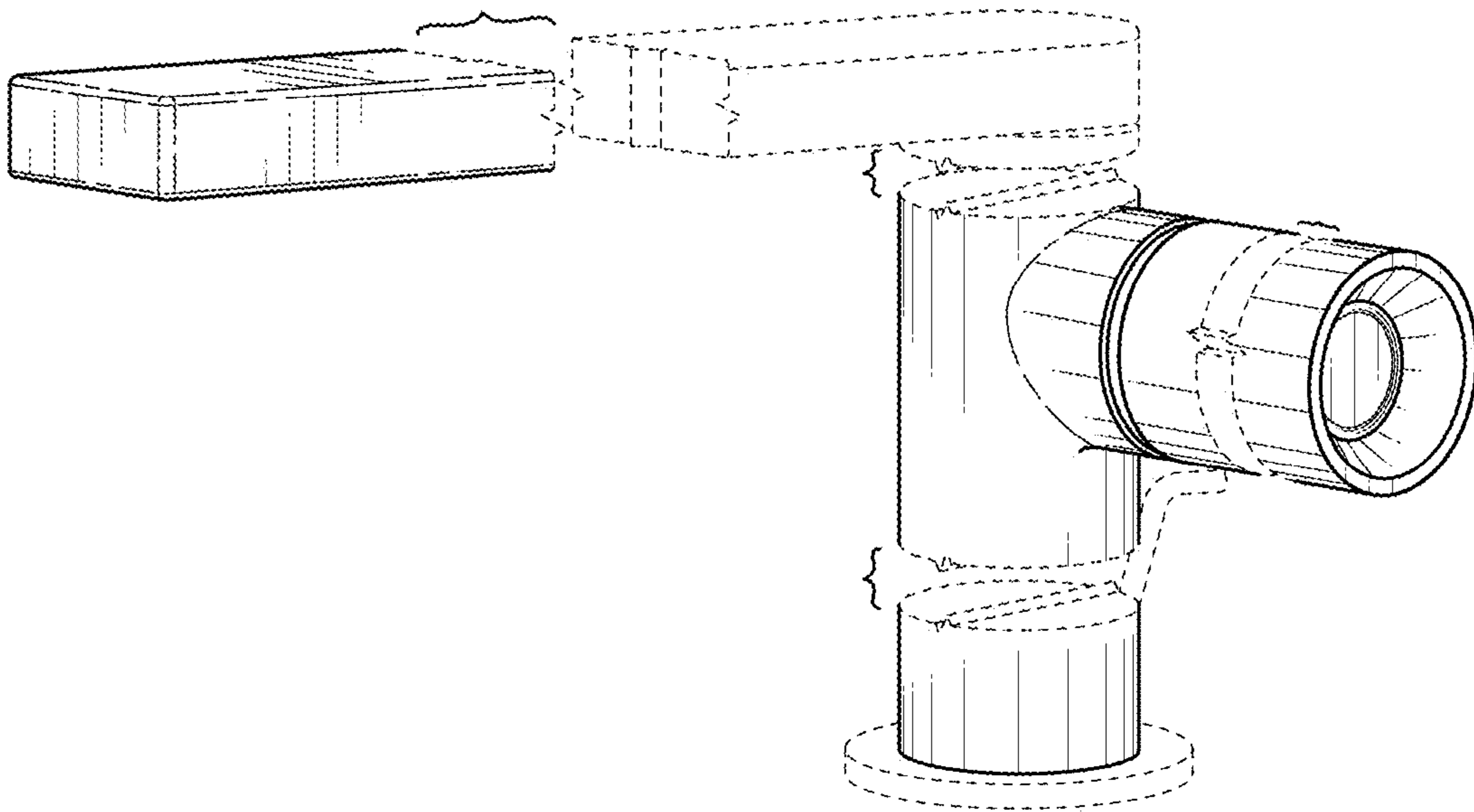


FIG. 1

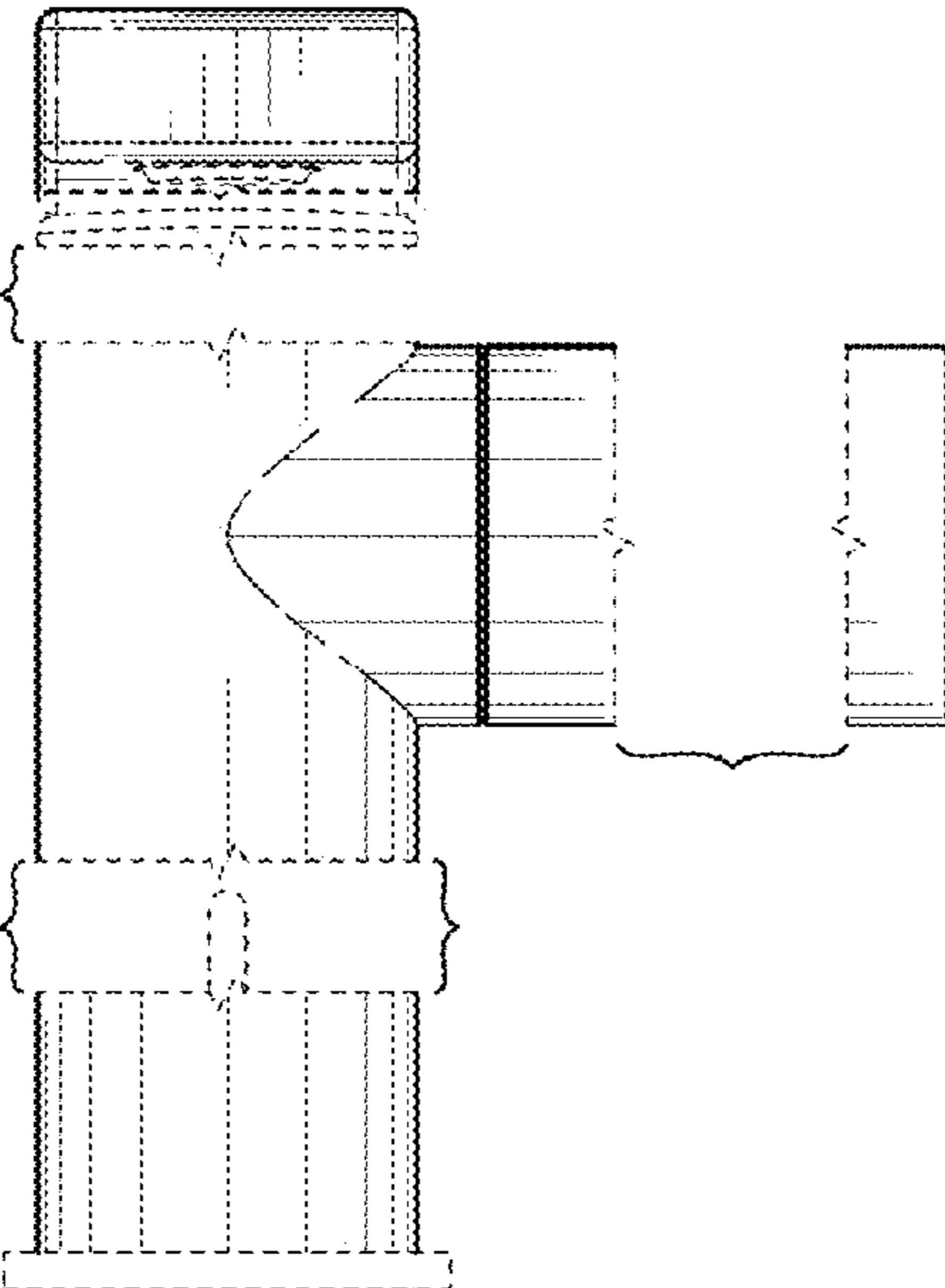


FIG. 2

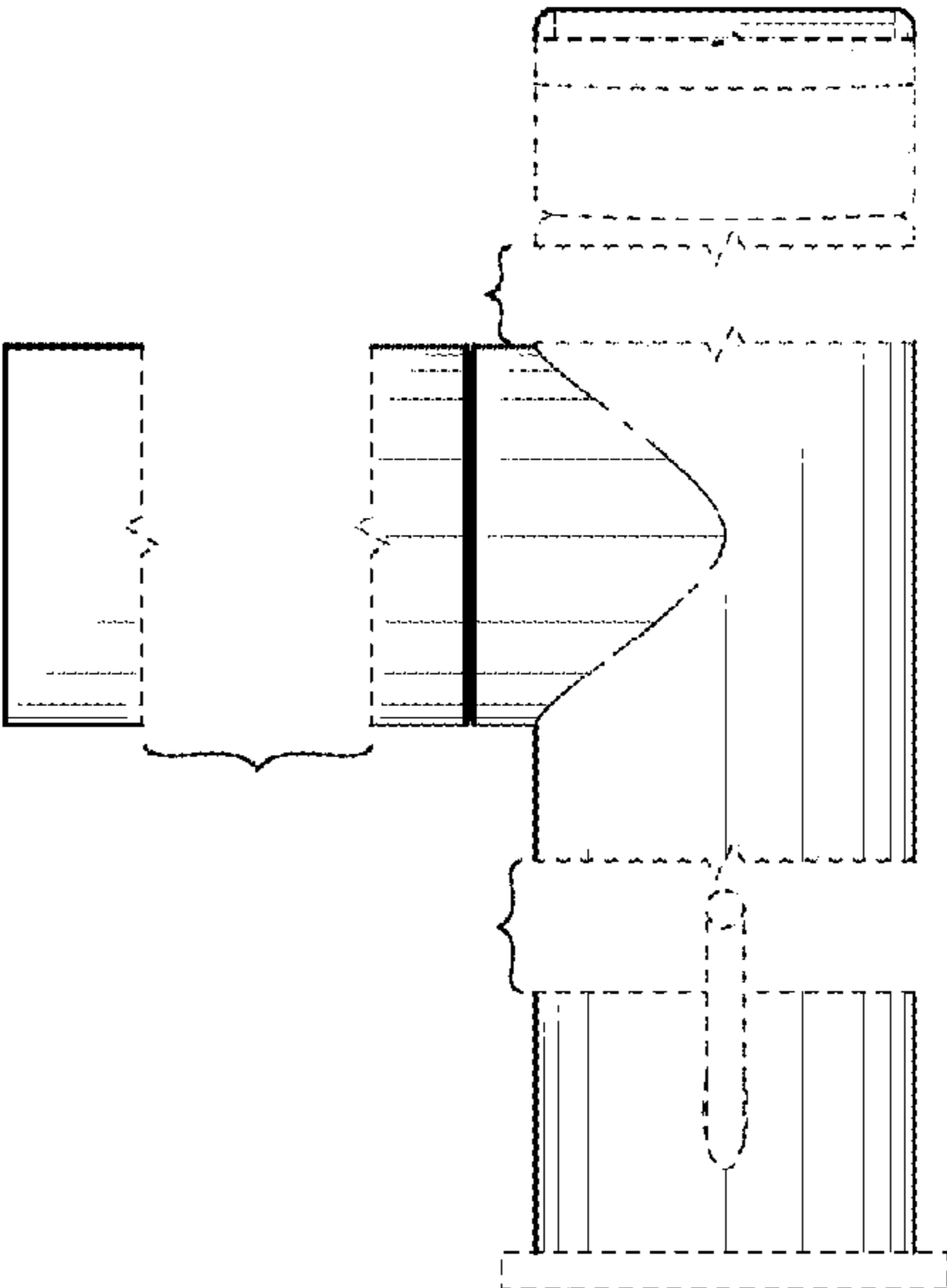


FIG. 3

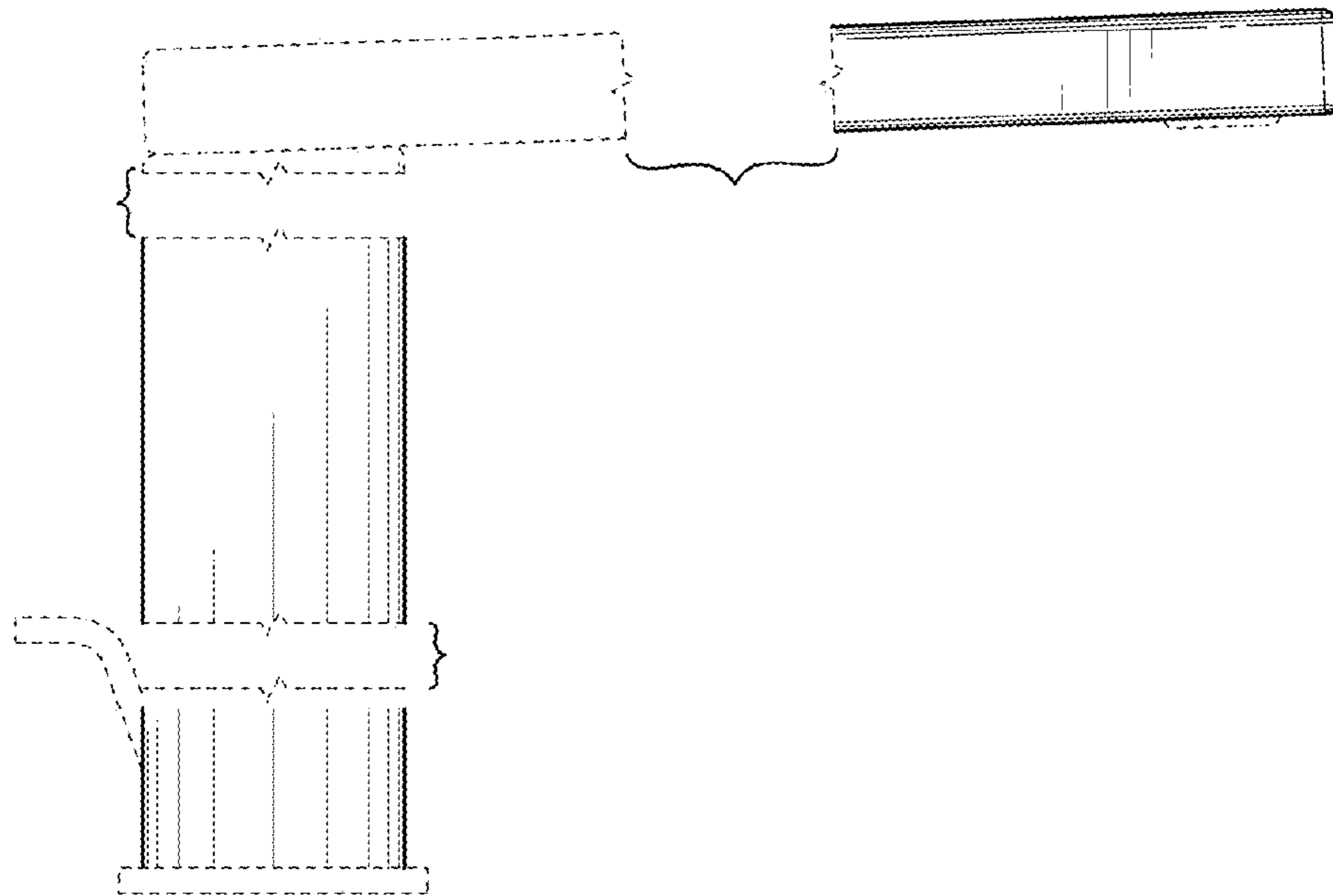


FIG. 4

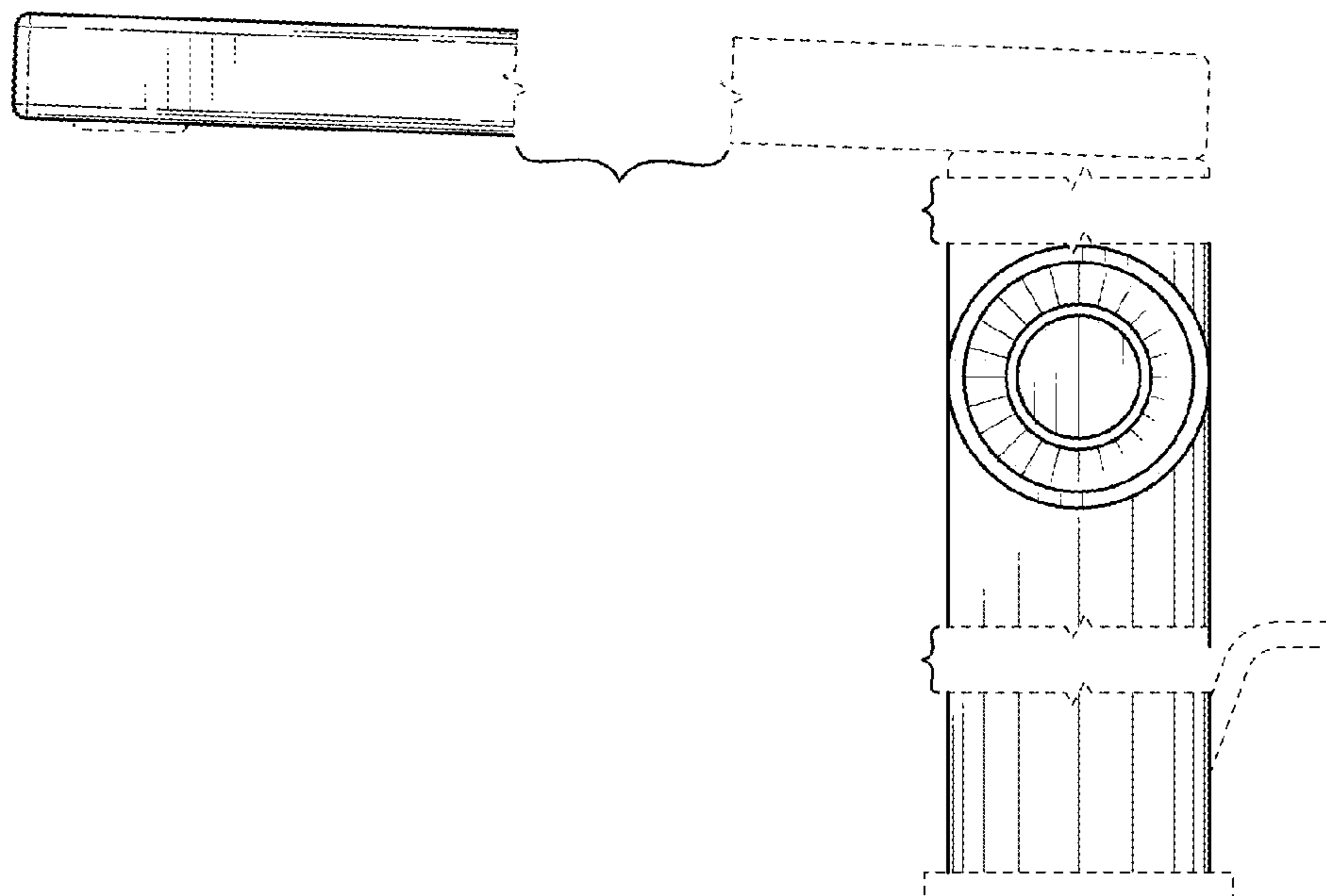


FIG. 5

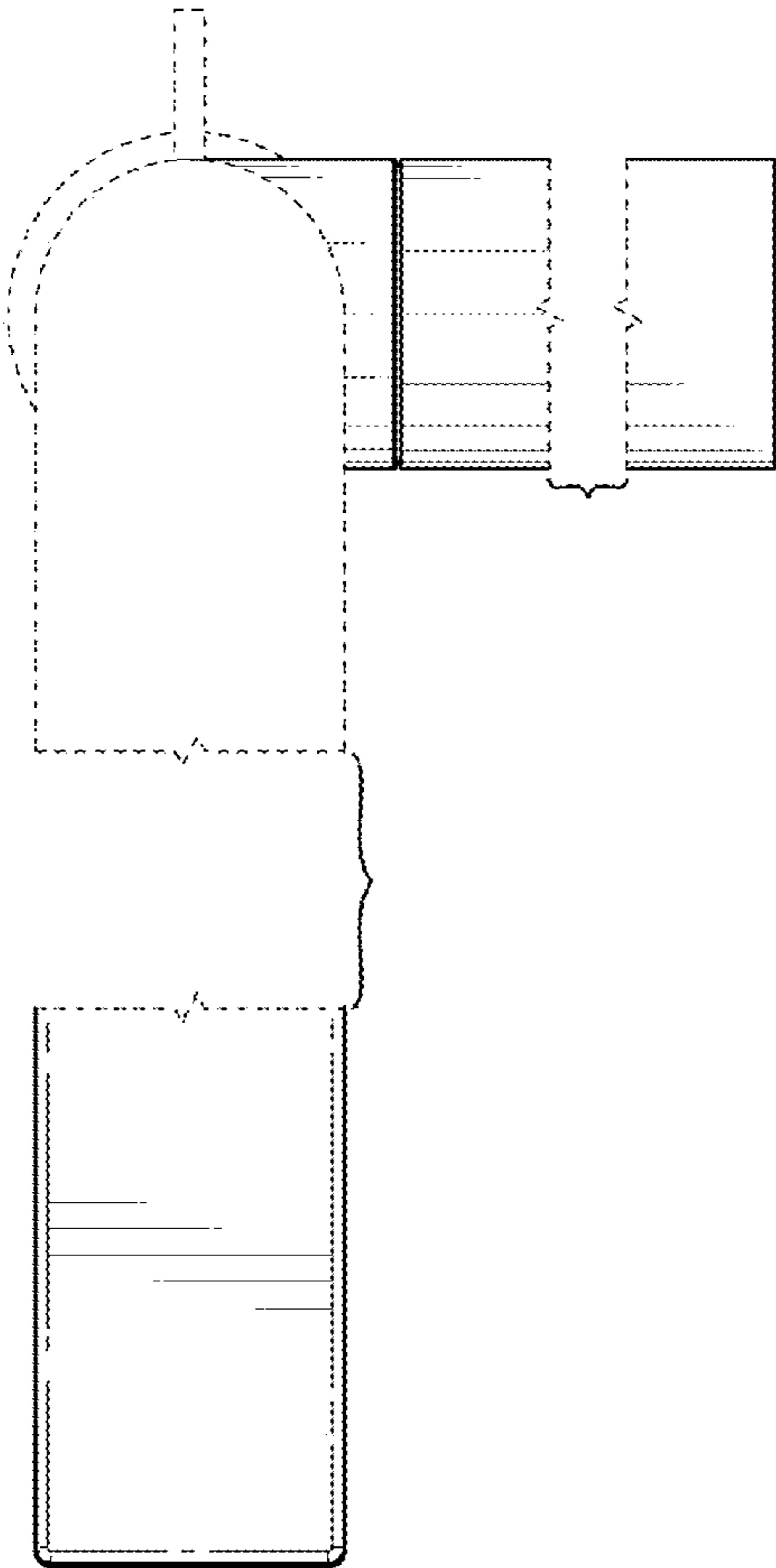


FIG. 6

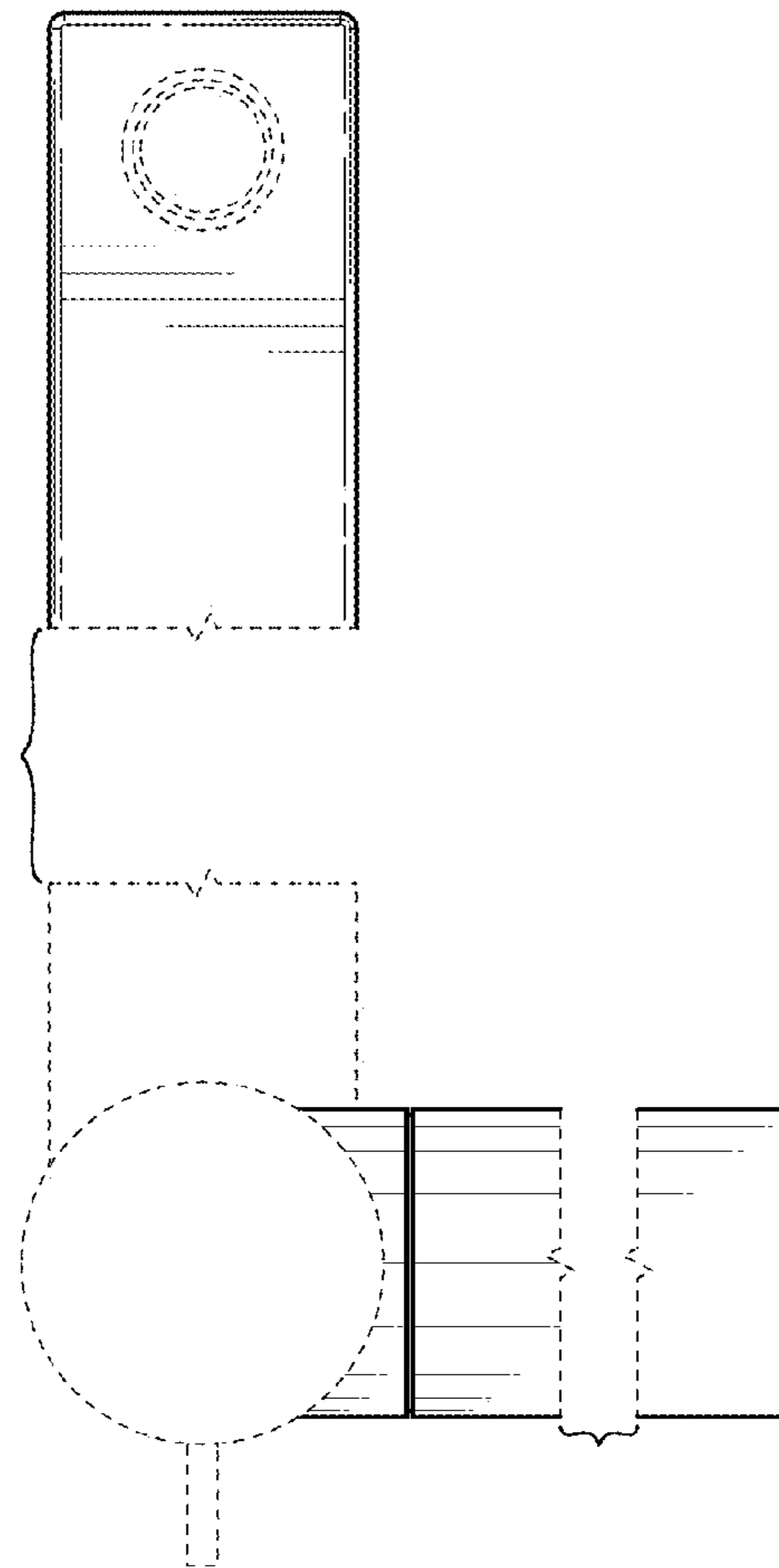


FIG. 7