



US00D767721S

(12) **United States Design Patent**  
**Yoshioka**

(10) **Patent No.:** **US D767,721 S**

(45) **Date of Patent:** **\*\* Sep. 27, 2016**

(54) **FAUCET**

(71) Applicant: **TOTO, Ltd.**, Kitakyushu-shi, Fukuoka (JP)

(72) Inventor: **Yuji Yoshioka**, Kitakyushu (JP)

(73) Assignee: **TOTO, Ltd.**, Kitakyushu-shi, Fukuoka (JP)

(\*\*) Term: **14 Years**

(21) Appl. No.: **29/518,884**

(22) Filed: **Feb. 27, 2015**

(30) **Foreign Application Priority Data**

Sep. 18, 2014 (CN) ..... 2014 3 0345815

(51) **LOC (10) Cl.** ..... **23-01**

(52) **U.S. Cl.**  
USPC ..... **D23/238**

(58) **Field of Classification Search**  
USPC ..... D23/238-243, 249-250, 252, 255, 257  
CPC ..... E03C 1/04; E03C 1/0401; E03C 1/0402;  
E03C 1/0404; F16K 31/602; F16K 31/605;  
F16K 31/607  
See application file for complete search history.

(56) **References Cited**

**U.S. PATENT DOCUMENTS**

D590,050 S \* 4/2009 Miyamoto ..... D23/255  
D596,711 S \* 7/2009 Sieger ..... D23/238

D645,938 S \* 9/2011 Ando ..... D23/238  
D700,955 S \* 3/2014 Schoenherr ..... D23/238  
D701,592 S \* 3/2014 Zhenqiang ..... D23/238  
D708,709 S \* 7/2014 Yu ..... D23/238  
D721,165 S \* 1/2015 Downey ..... D23/255  
D723,662 S \* 3/2015 Downey ..... D23/238  
D726,880 S \* 4/2015 Kington ..... D23/238

\* cited by examiner

*Primary Examiner* — Robert Delehanty

(74) *Attorney, Agent, or Firm* — Banner & Witcoff, Ltd.

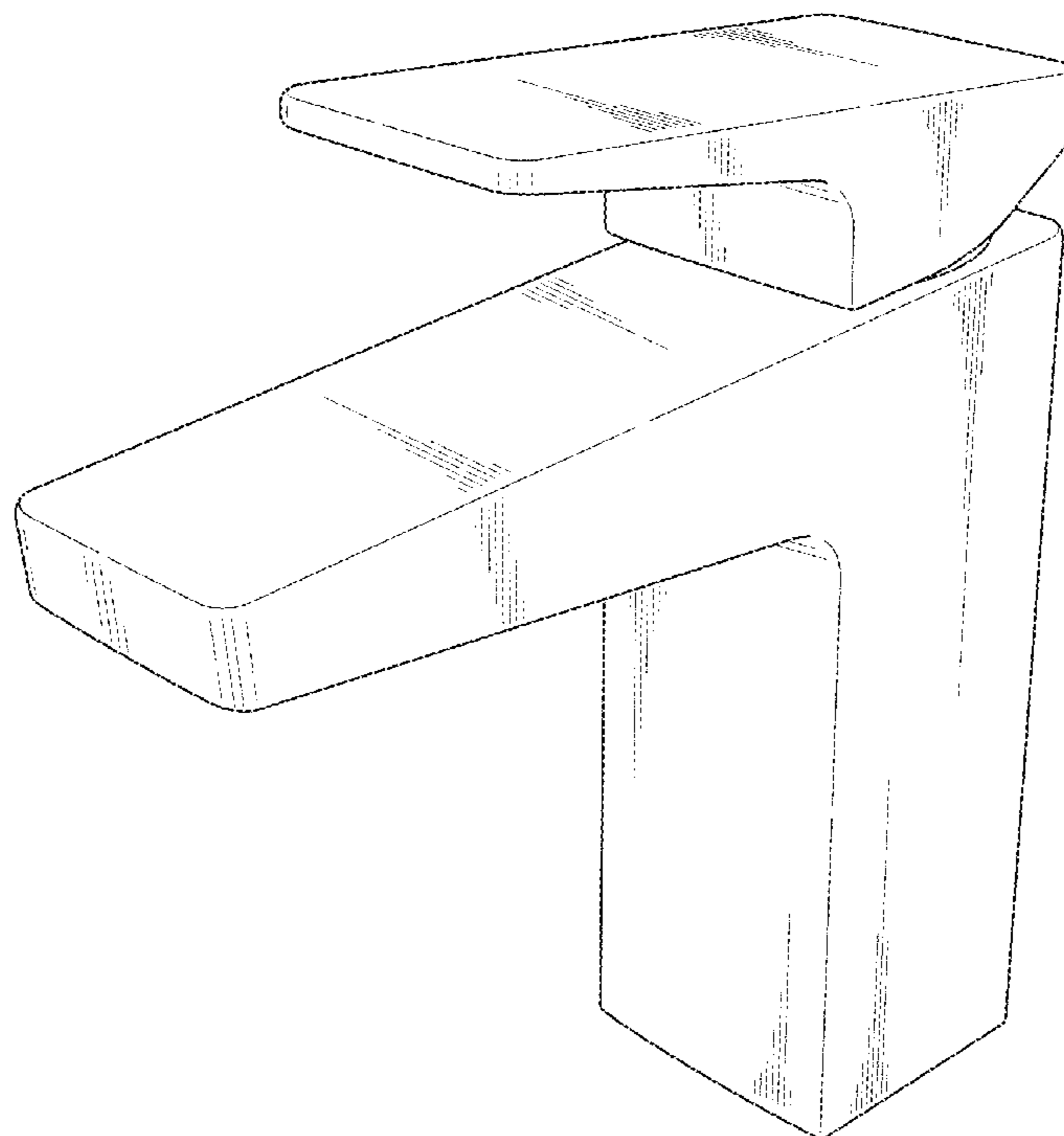
(57) **CLAIM**

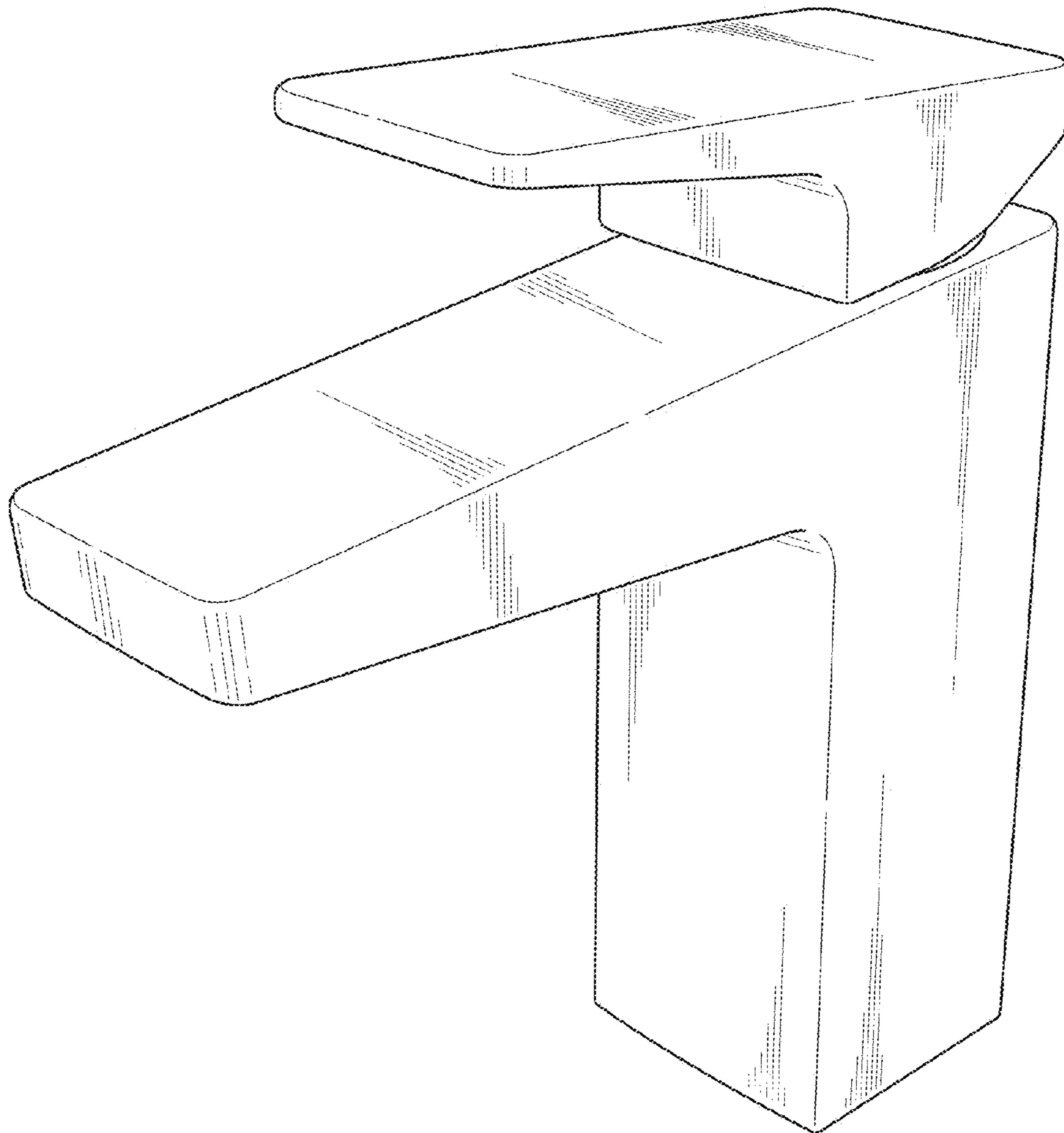
The ornamental design for a faucet, as shown and described.

**DESCRIPTION**

FIG. 1 is a perspective view of a faucet showing my new design;  
FIG. 2 is a front view thereof;  
FIG. 3 is a rear view thereof;  
FIG. 4 is a left side view thereof;  
FIG. 5 is a right side view thereof;  
FIG. 6 is a top view thereof; and,  
FIG. 7 is a bottom view thereof.  
The broken lines shown are included for the purpose of illustrating the unclaimed portions of the faucet and form no part of the claimed design.

**1 Claim, 5 Drawing Sheets**





*FIG. 1*

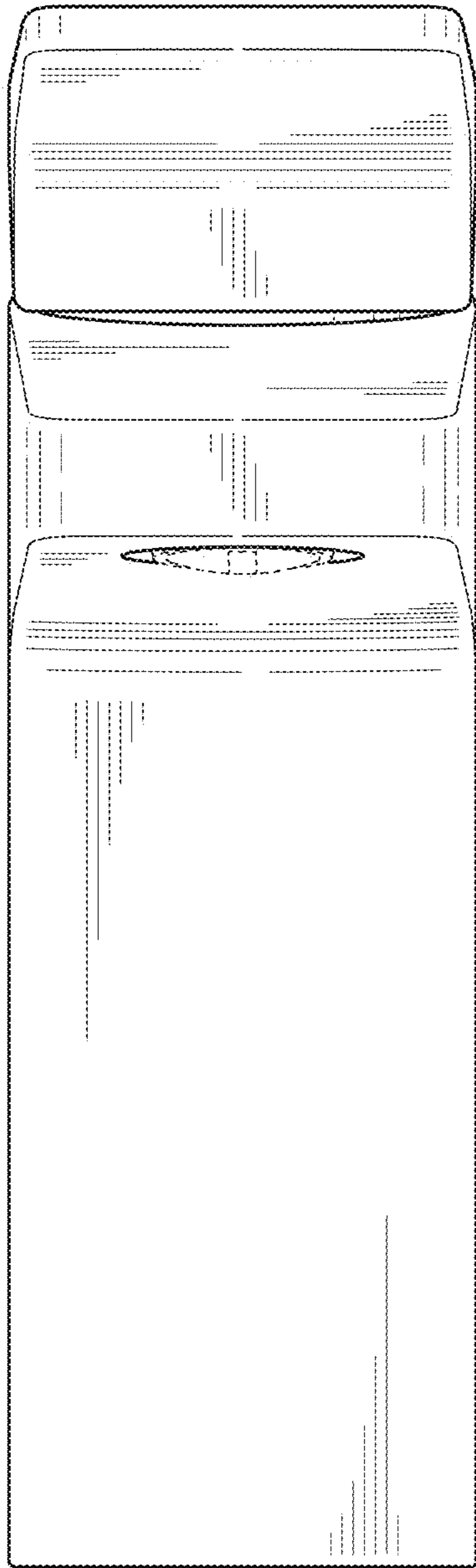


FIG. 2

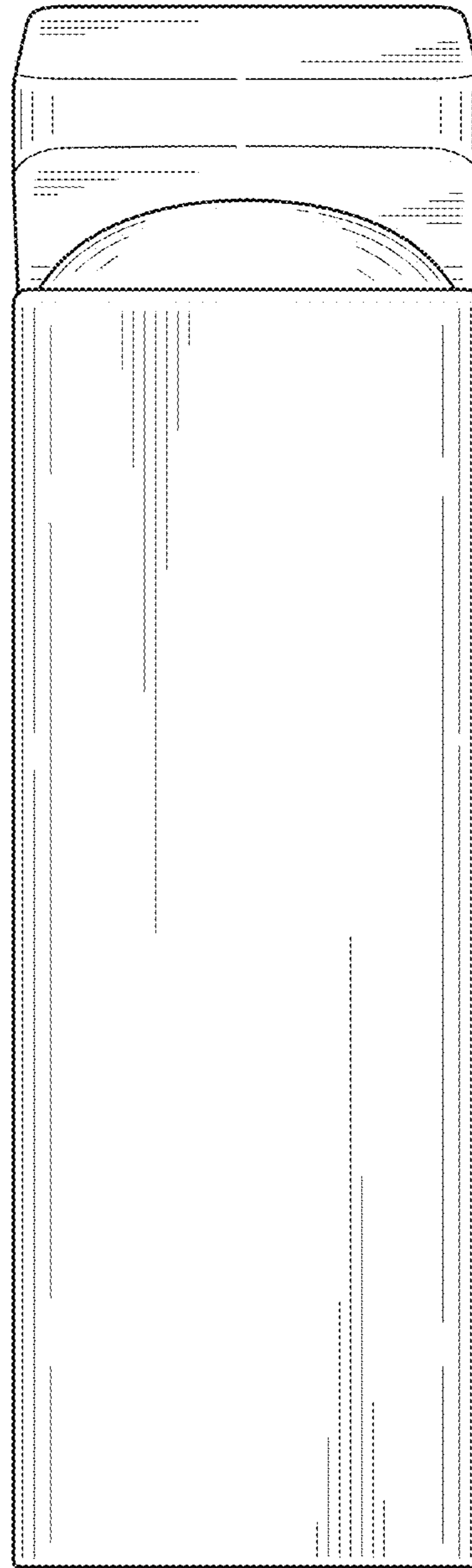


FIG. 3

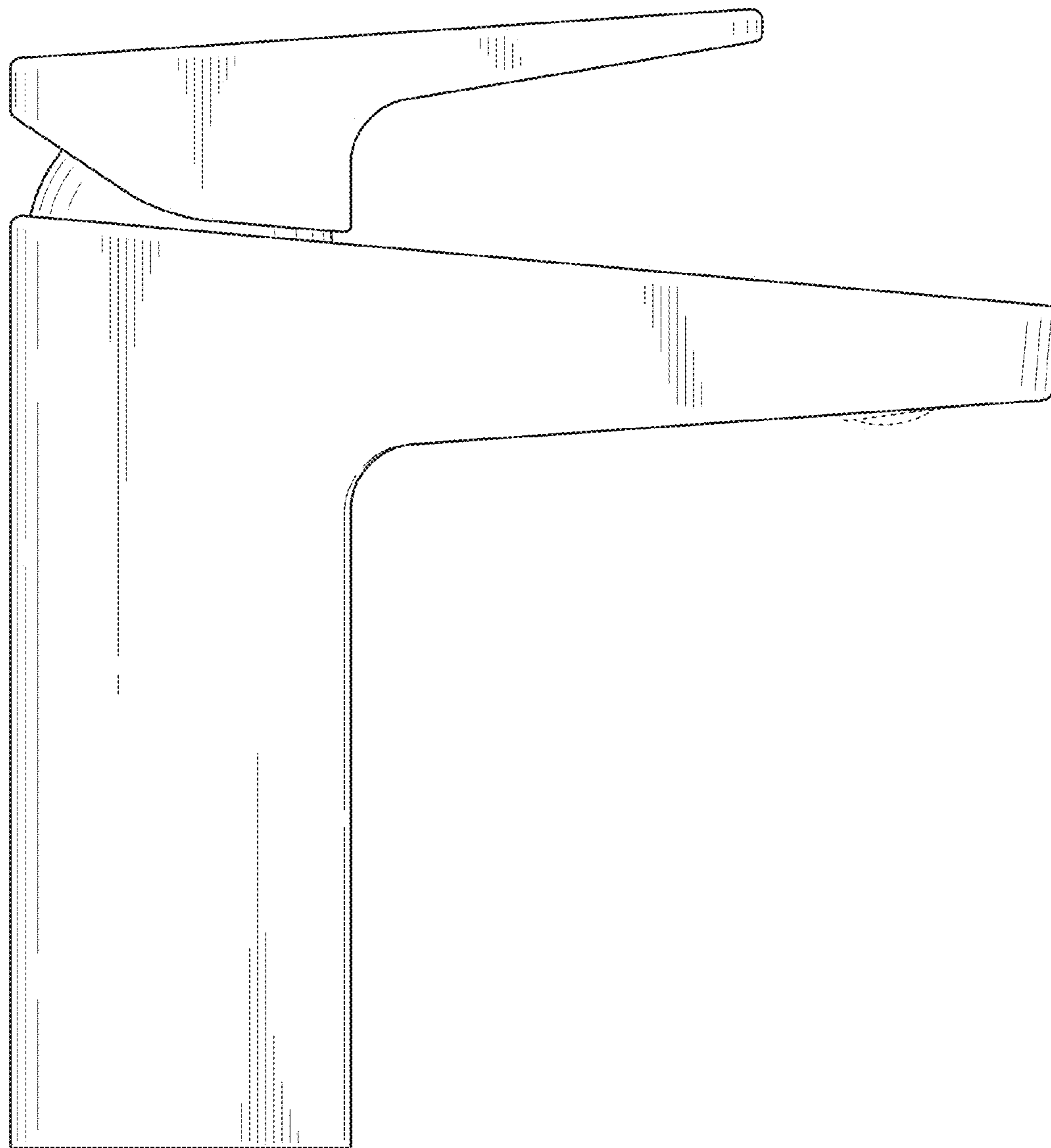


FIG. 4

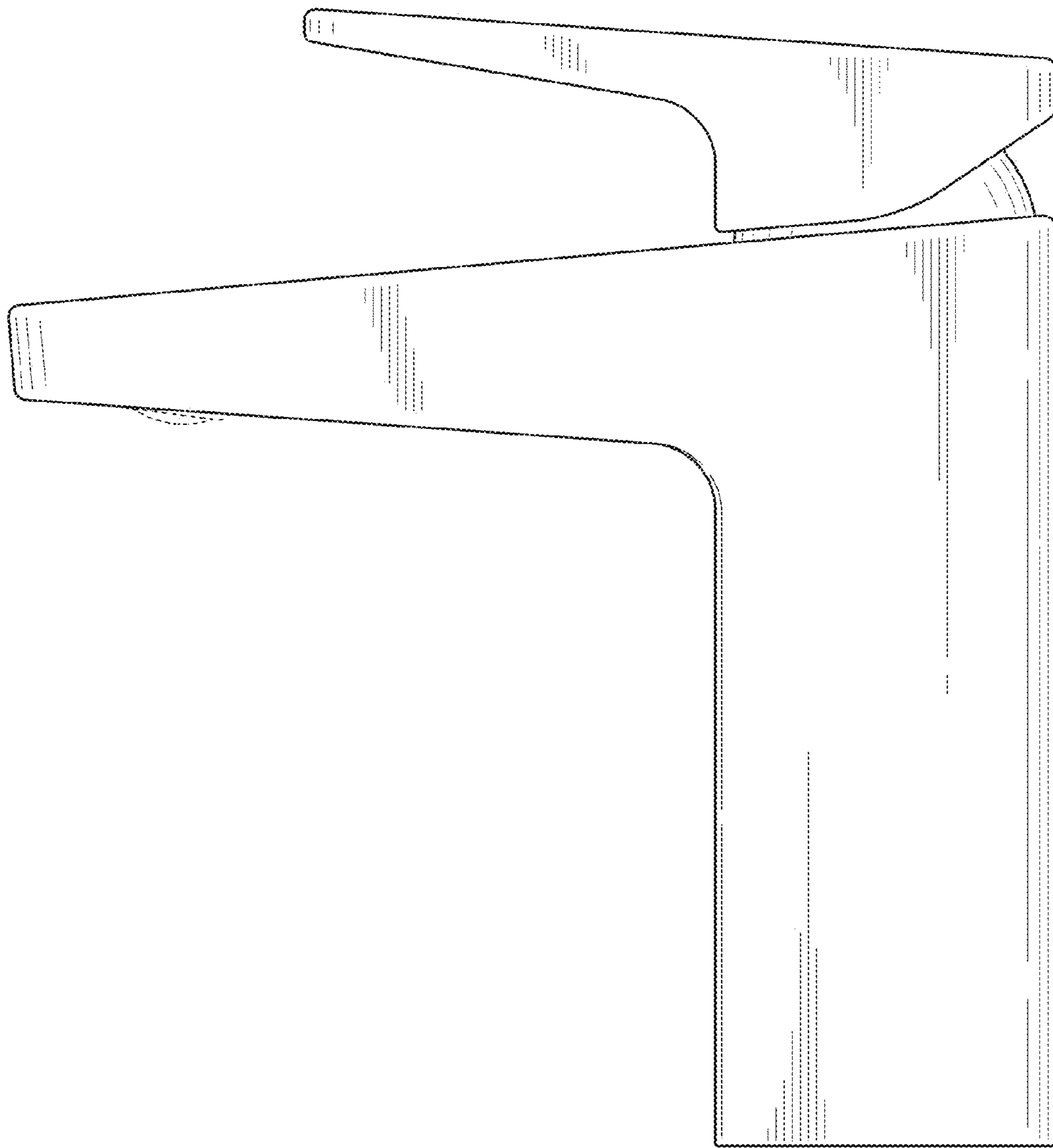


FIG. 5

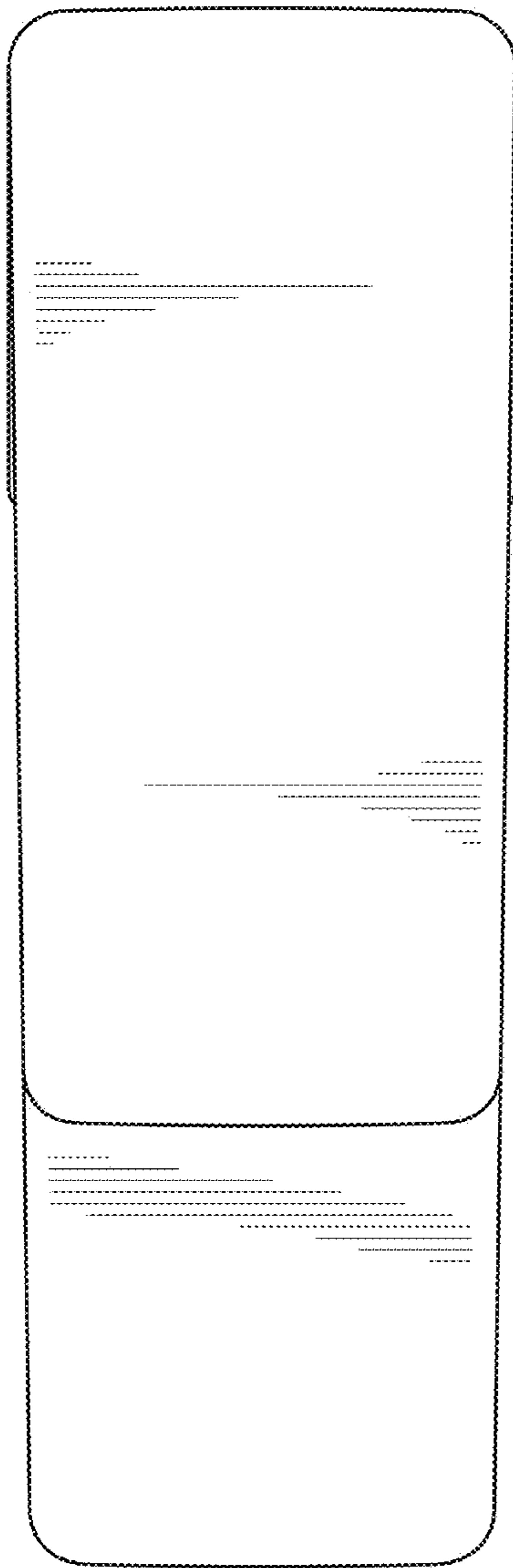


FIG. 6

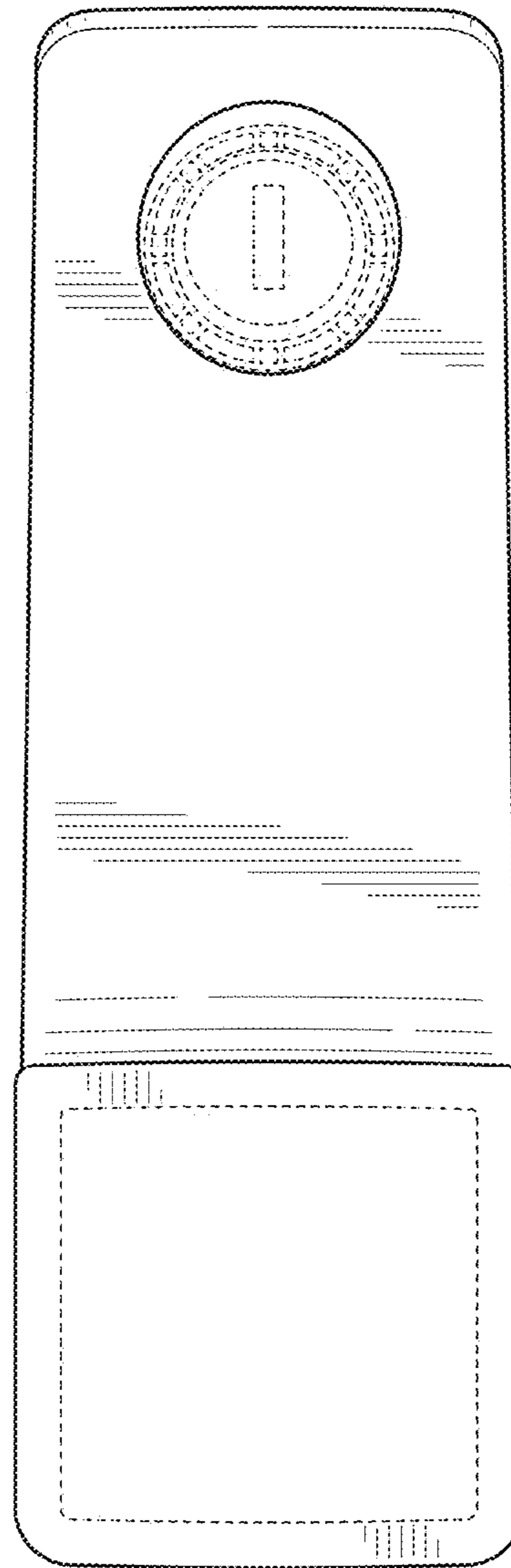


FIG. 7