



US00D767720S

(12) **United States Design Patent**
Tiberghien et al.

(10) **Patent No.:** **US D767,720 S**
(45) **Date of Patent:** **** Sep. 27, 2016**

(54) **PNEUMATIC BLOW GUN**
(71) Applicant: **STAUBLI FAVERGES**, Faverges (FR)
(72) Inventors: **Alain-Christophe Tiberghien**, Sevrier (FR); **Antoine Chambaud**, Giez (FR)
(73) Assignee: **STAUBLI FAVERGES**, Faverges (FR)
(**) Term: **15 Years**

D387,129 S * 12/1997 Shiao D23/213
6,213,411 B1 * 4/2001 Jou F16L 47/24
239/526
D482,430 S * 11/2003 Jou D23/223
6,663,023 B1 * 12/2003 Jou B05B 1/005
236/526
D542,378 S * 5/2007 Jou D23/223
7,591,435 B1 * 9/2009 Downey B08B 5/02
239/1
8,844,845 B2 * 9/2014 Chen B05B 1/3013
239/525

(21) Appl. No.: **29/549,950**

(22) Filed: **Dec. 29, 2015**

Related U.S. Application Data

(62) Division of application No. 29/504,155, filed on Oct. 2, 2014.

(30) **Foreign Application Priority Data**

Apr. 11, 2014 (WO) DM/083 364

(51) **LOC (10) Cl.** **23-01**

(52) **U.S. Cl.**
USPC **D23/226**

(58) **Field of Classification Search**
USPC D23/213, 223, 226; 239/290, 291, 526,
239/690, 691
CPC B05B 9/01; B05B 1/005; B05B 5/043
See application file for complete search history.

(56) **References Cited**

U.S. PATENT DOCUMENTS

2,783,092 A * 2/1957 Gavin A47L 9/08
15/405
3,780,949 A * 12/1973 Gavin B05B 1/005
239/291

* cited by examiner

Primary Examiner — Robin V Webster

(74) *Attorney, Agent, or Firm* — Stephen J. Weyer; Stites & Harbison PLLC

(57) **CLAIM**

The ornamental design for a pneumatic blow gun, as shown and described.

DESCRIPTION

FIG. 1 is a front and right side perspective view of a pneumatic blow gun showing the new design.

FIG. 2 is a front view thereof.

FIG. 3 is rear view thereof.

FIG. 4 is a right side view thereof.

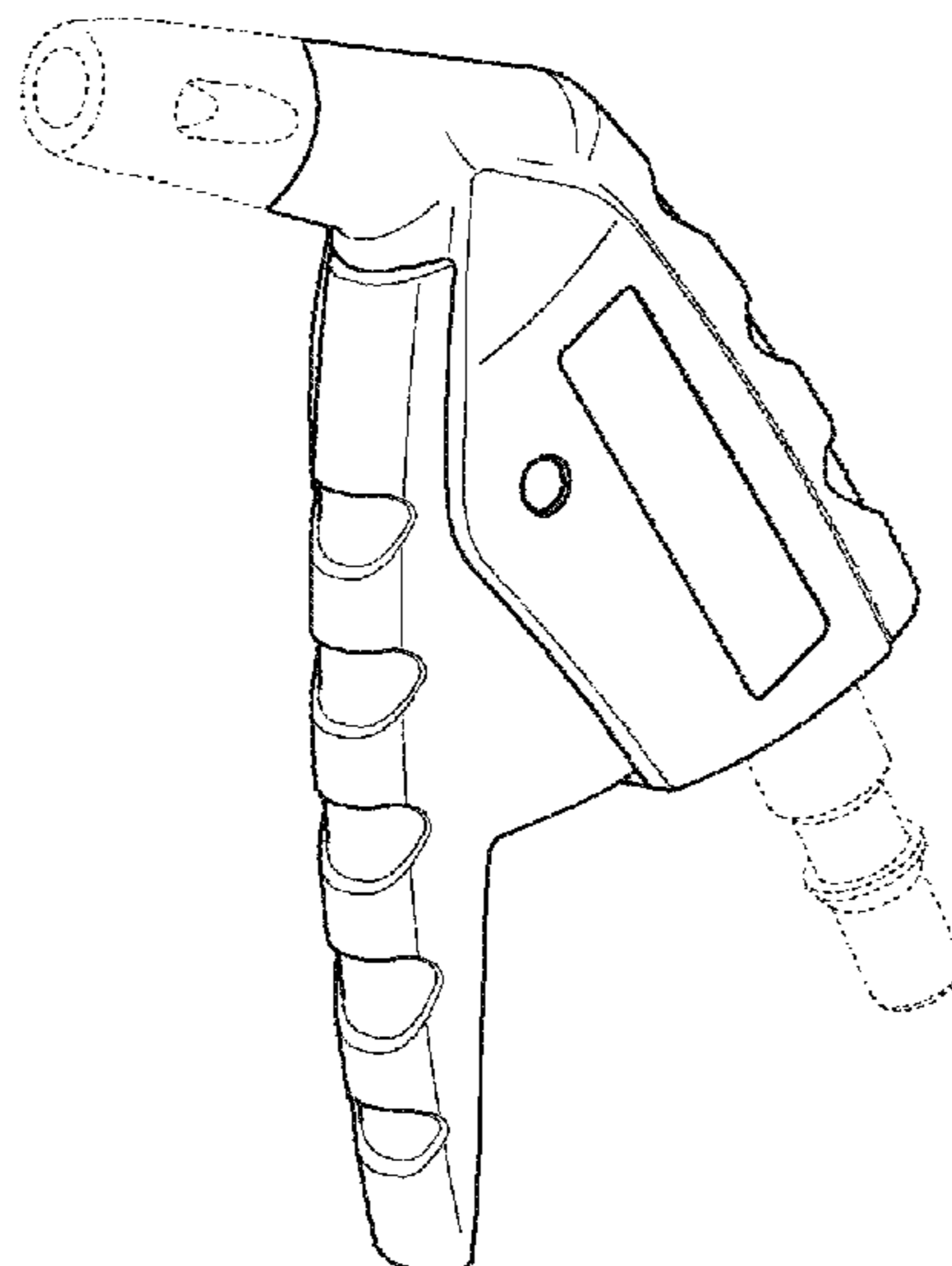
FIG. 5 is a left side view thereof.

FIG. 6 is a top view thereof; and,

FIG. 7 is a bottom view thereof.

Elements drawn in broken lines in FIGS. 1-7 are included for the purpose of illustrating environmental structures but form no part of the claimed design.

1 Claim, 7 Drawing Sheets



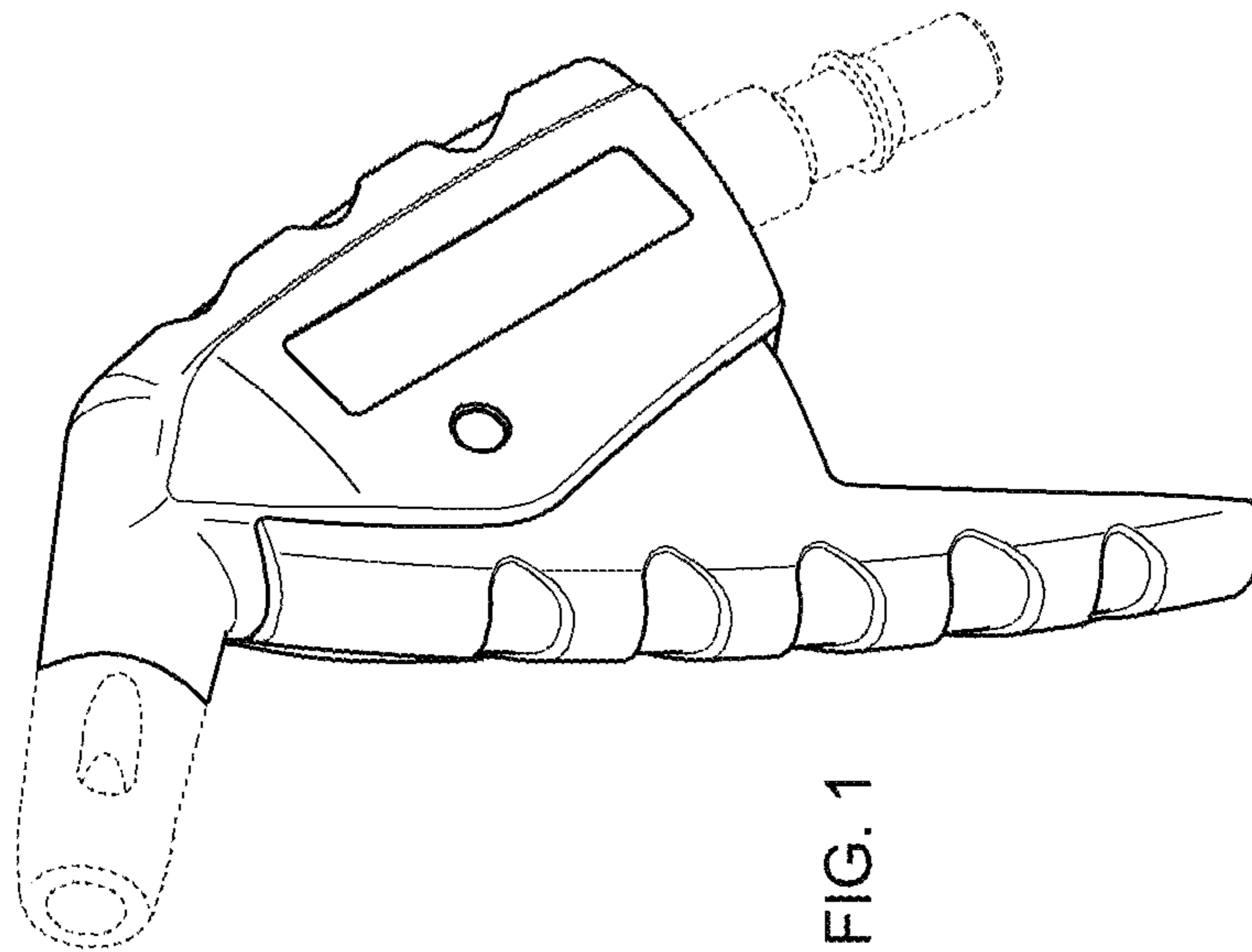


FIG. 1

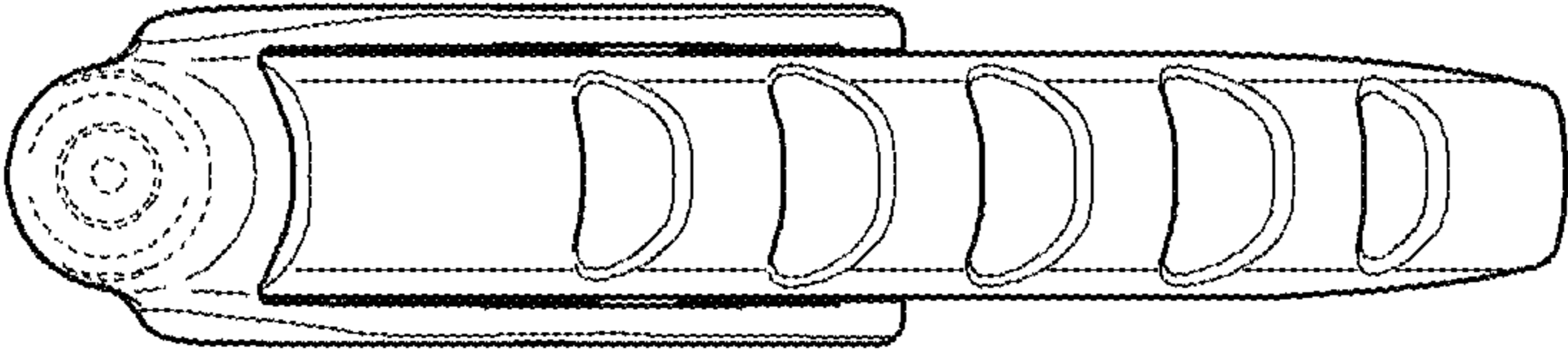


FIG. 2

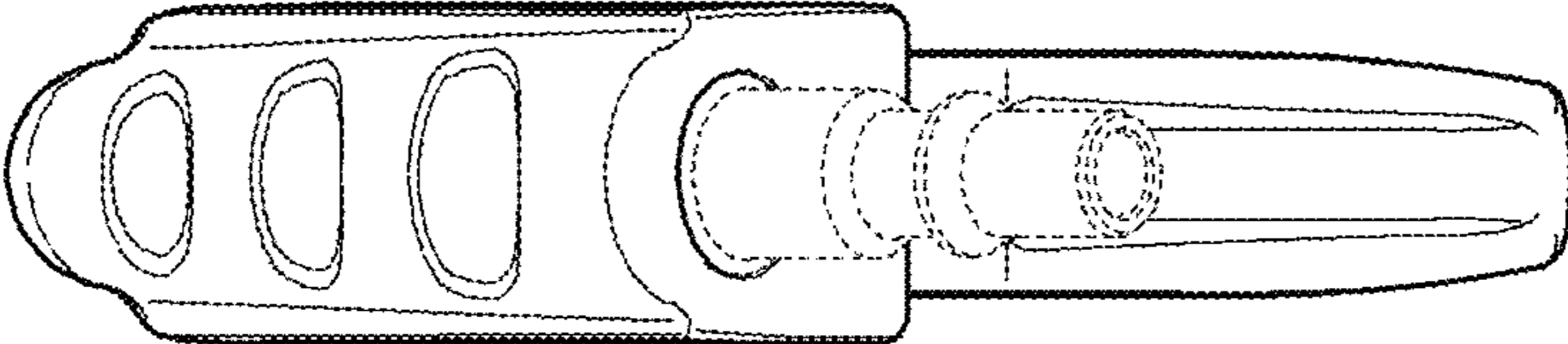


FIG. 3

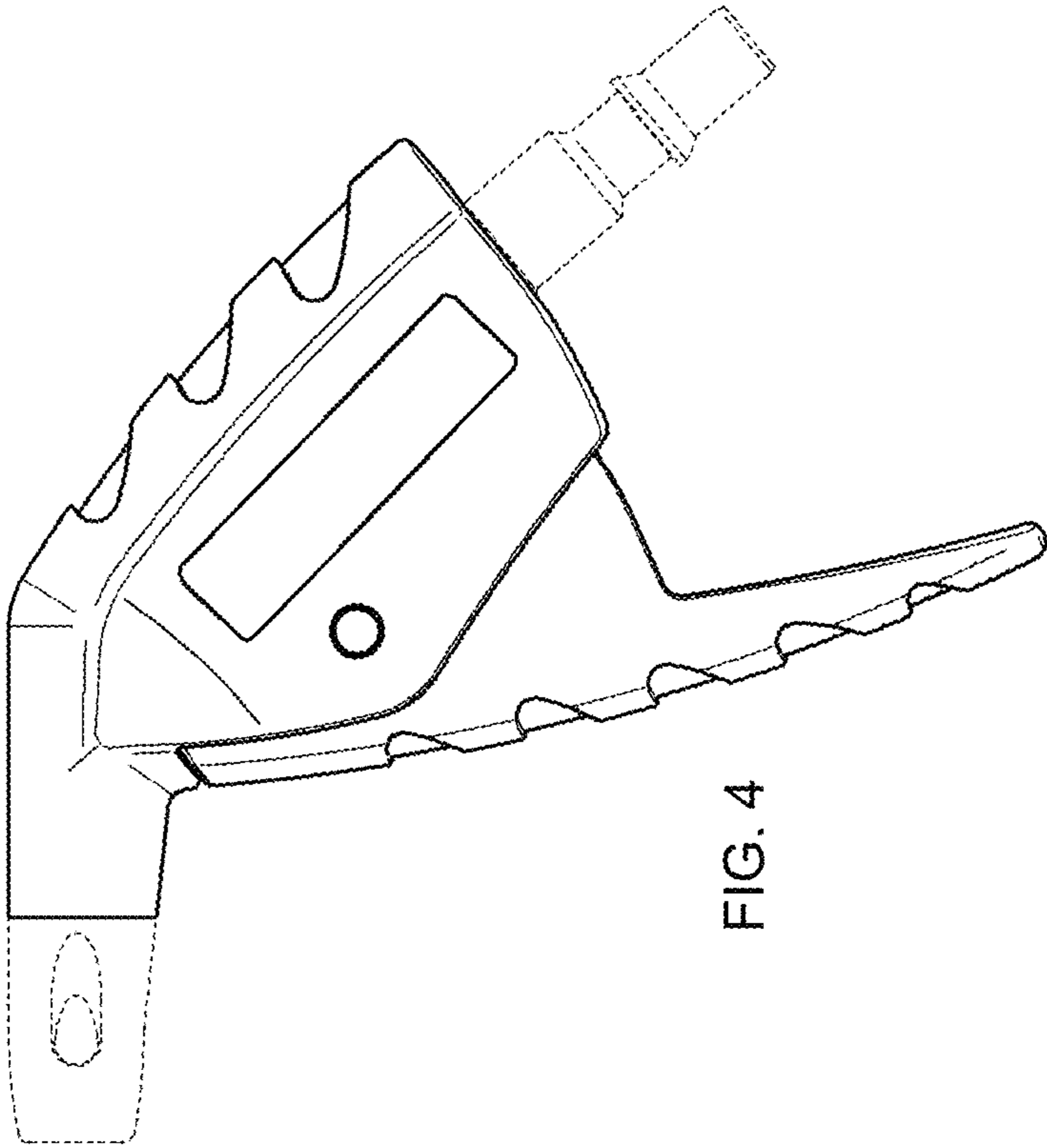


FIG. 4

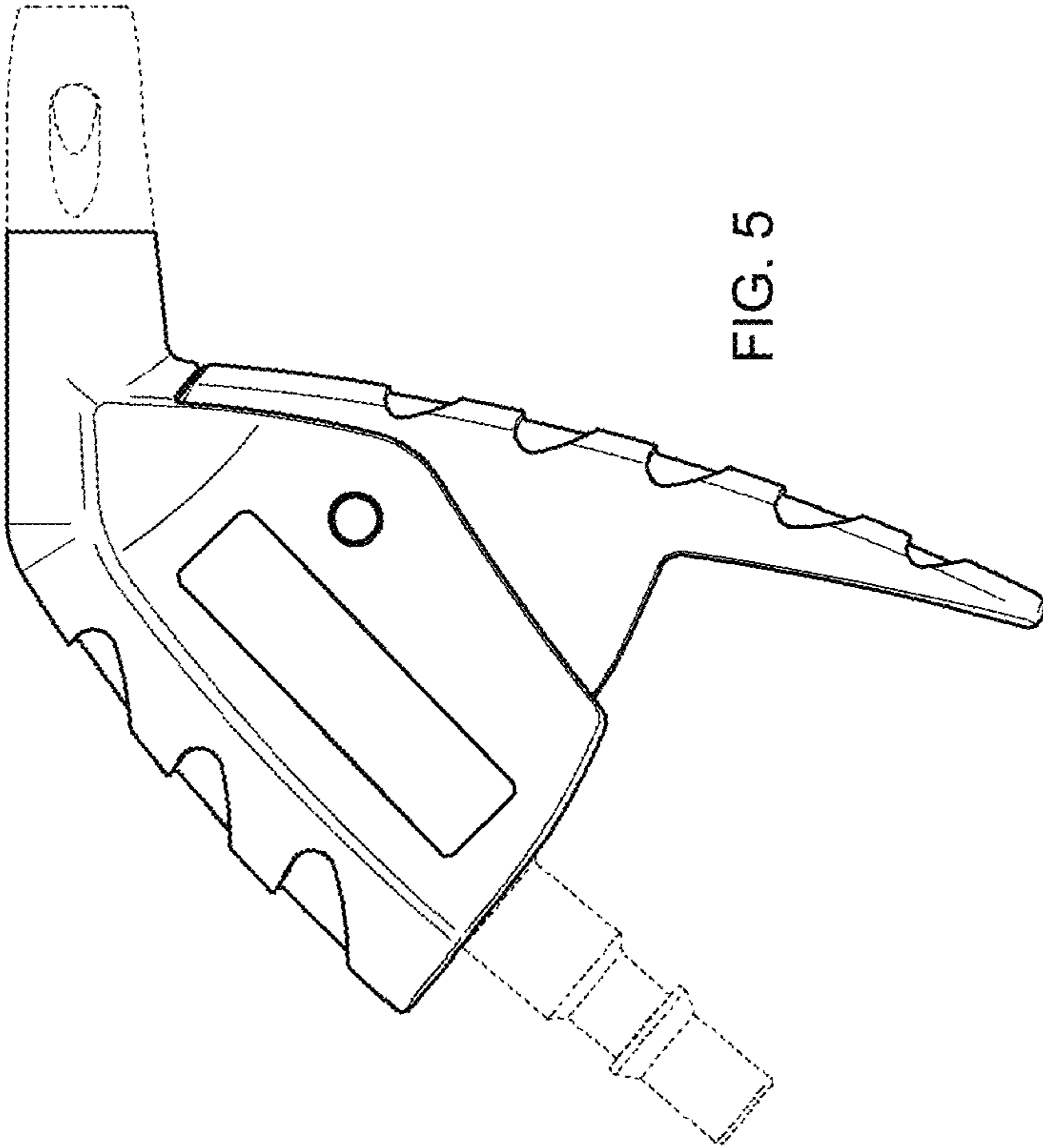


FIG. 5

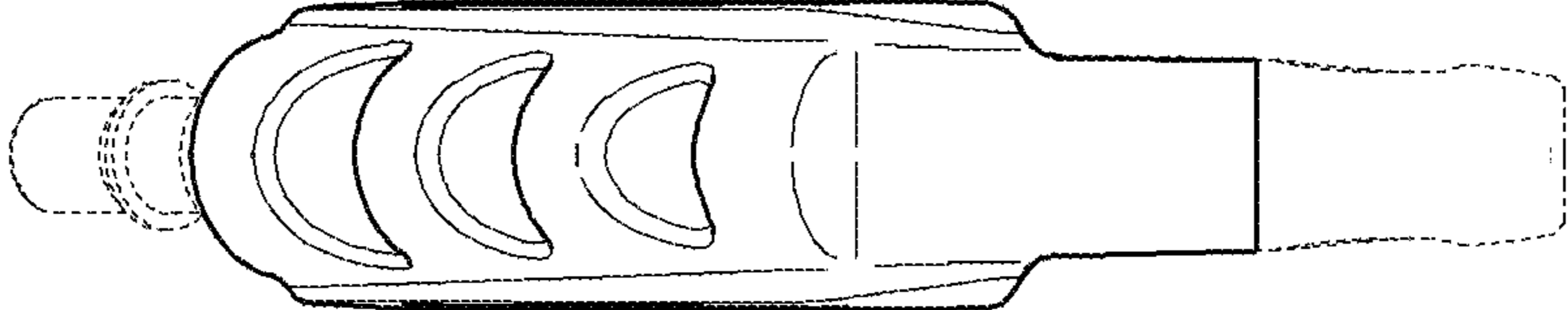


FIG. 6

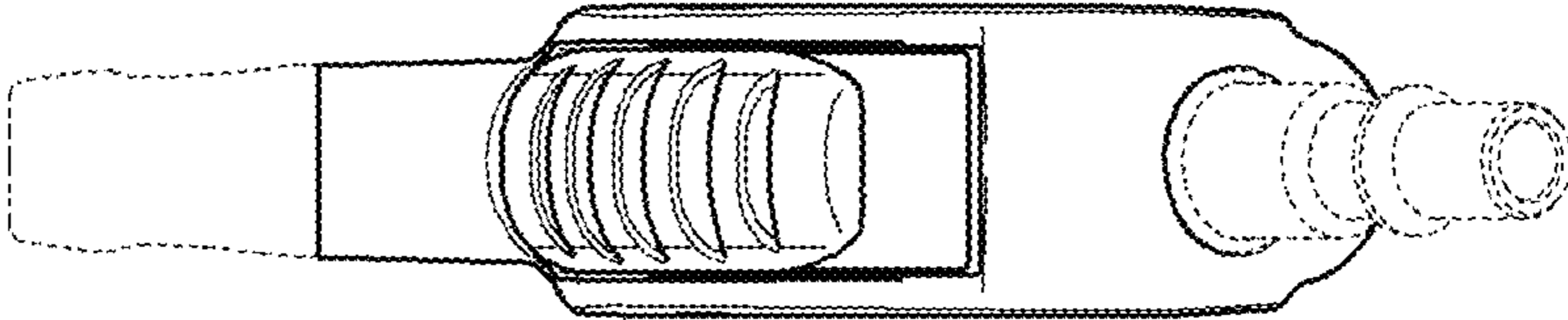


FIG. 7