

US00D767716S

(12) **United States Design Patent**
Solakian

(10) **Patent No.:** **US D767,716 S**

(45) **Date of Patent:** **** Sep. 27, 2016**

(54) **POOL CLEANING HOSE NOZZLE**

(71) Applicant: **Michael S. Solakian**, Northridge, CA
(US)

(72) Inventor: **Michael S. Solakian**, Northridge, CA
(US)

(73) Assignee: **Val-Pak Products**, Santa Clarita, CA
(US)

(**) Term: **15 Years**

(21) Appl. No.: **29/530,142**

(22) Filed: **Jun. 12, 2015**

(51) **LOC (10) Cl.** **23-01**

(52) **U.S. Cl.**
USPC **D23/213; D23/263**

(58) **Field of Classification Search**
USPC D23/213, 223, 226, 263; 239/525, 526,
239/459; 4/488, 490, 492
CPC B05B 1/00; B05B 9/01
See application file for complete search history.

(56) **References Cited**

U.S. PATENT DOCUMENTS

D398,371 S * 9/1998 Sundahl D23/226
6,257,505 B1 * 7/2001 Wang B05B 15/066
239/526

6,301,723 B1 * 10/2001 Goetl E04H 4/169
239/204

7,979,924 B1 * 7/2011 Goetl E04H 4/169
239/236

D658,274 S * 4/2012 Barnard D23/263

8,308,081 B1 * 11/2012 Goetl E04H 4/169
239/204

D747,440 S * 1/2016 Naslund D23/213

* cited by examiner

Primary Examiner — Robin V Webster

(74) *Attorney, Agent, or Firm* — Quickpatents, LLC; Kevin Prince

(57) **CLAIM**

I claim the ornamental design for a pool cleaning hose nozzle, as shown and described.

DESCRIPTION

FIG. 1 is a perspective view of a pool cleaning hose nozzle, showing my new design;

FIG. 2 is a front elevational view thereof;

FIG. 3 is a rear elevational view thereof;

FIG. 4 is a left-side elevational view thereof;

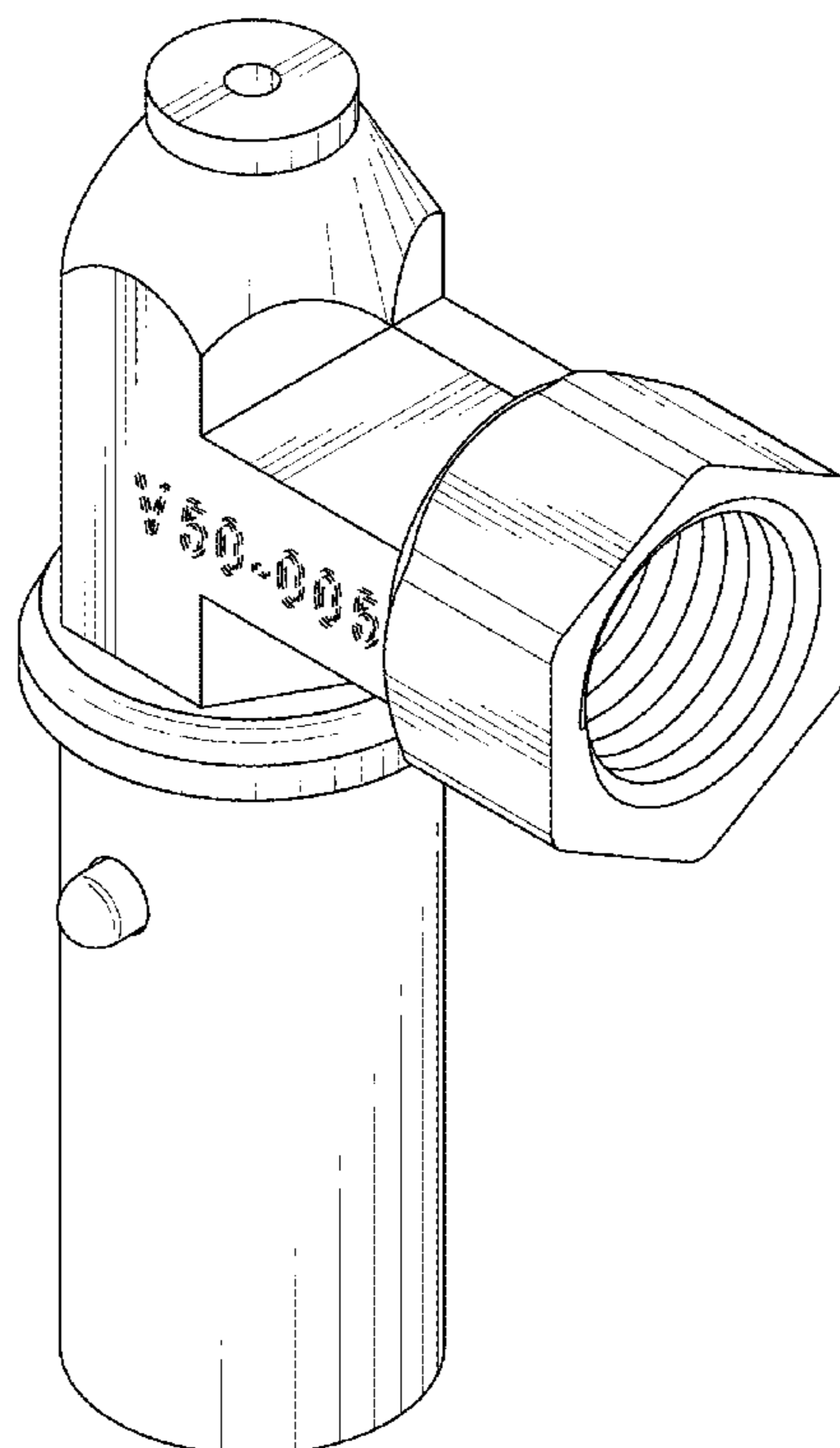
FIG. 5 is a right-side elevational view thereof;

FIG. 6 is a top plan view thereof; and,

FIG. 7 is a bottom plan view thereof.

The broken lines showing text in the figures depict environmental matter and form no part of the claimed design.

1 Claim, 3 Drawing Sheets



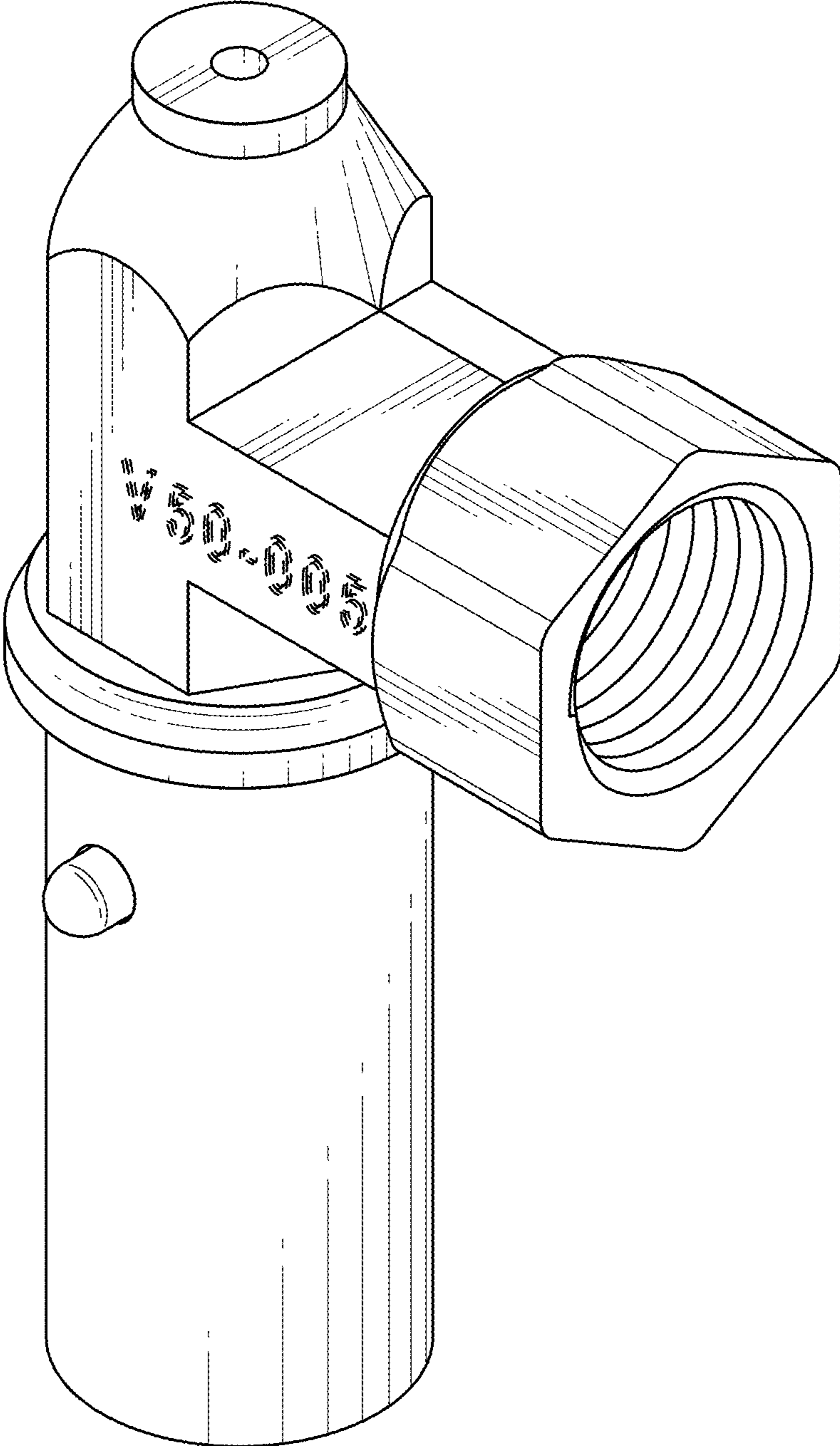


FIG. 1

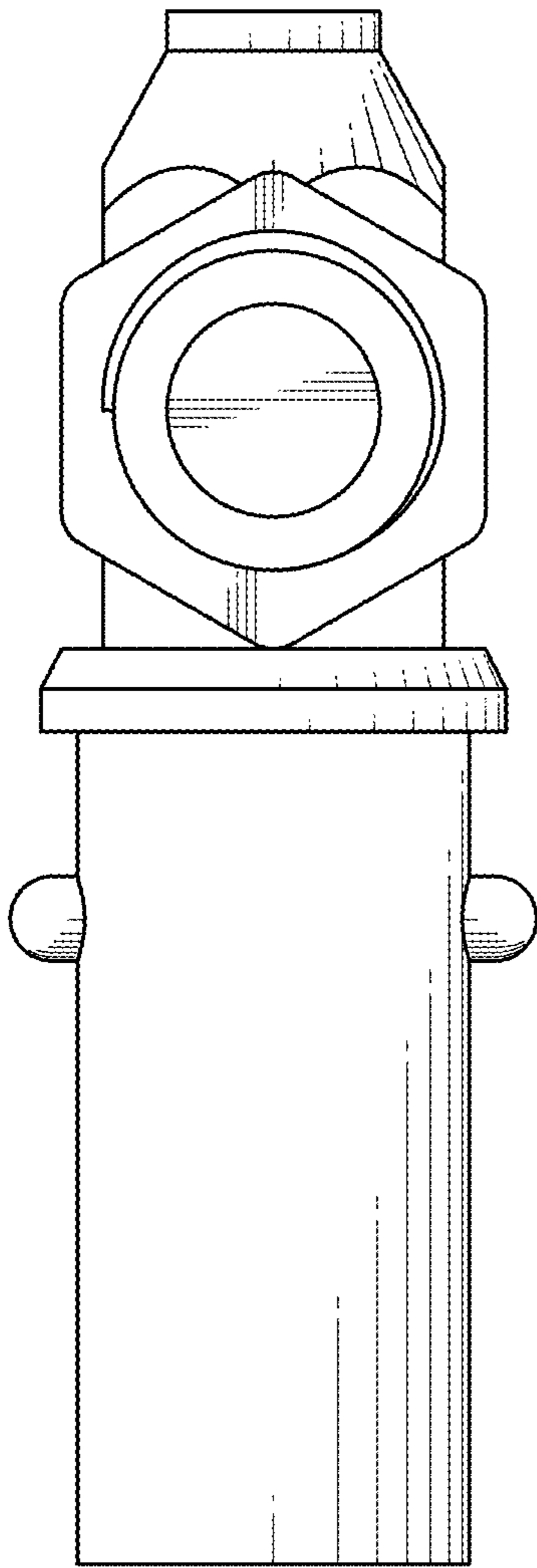


FIG. 2

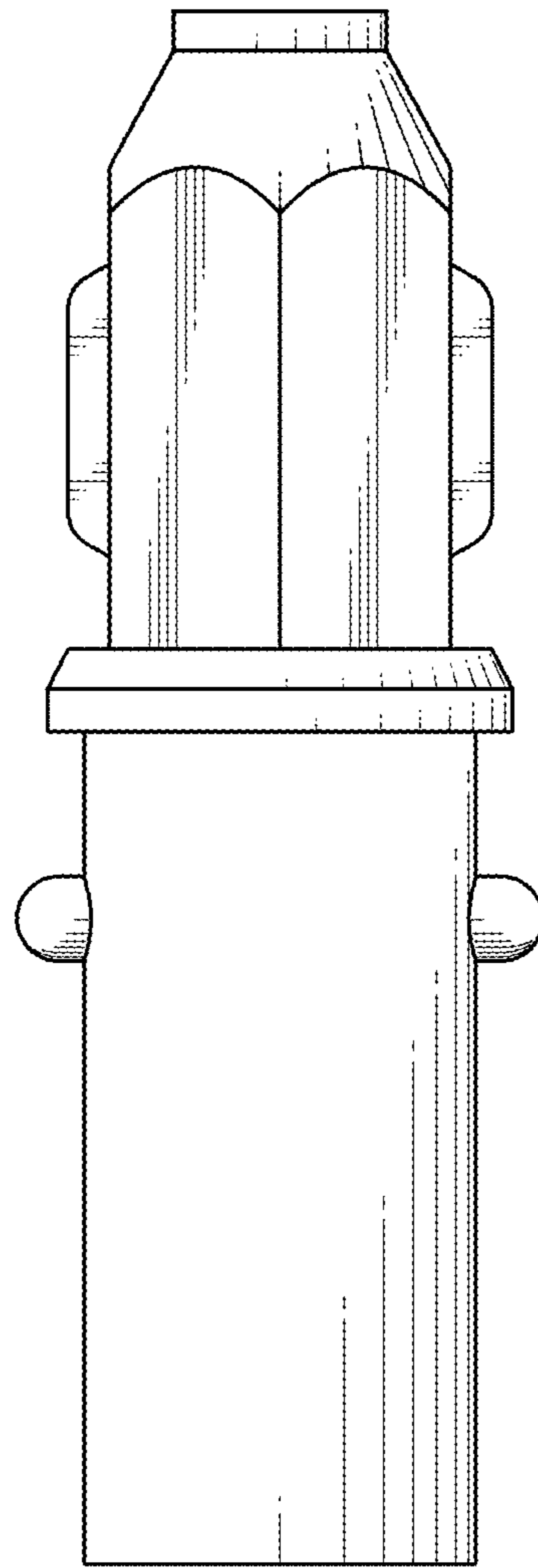


FIG. 3

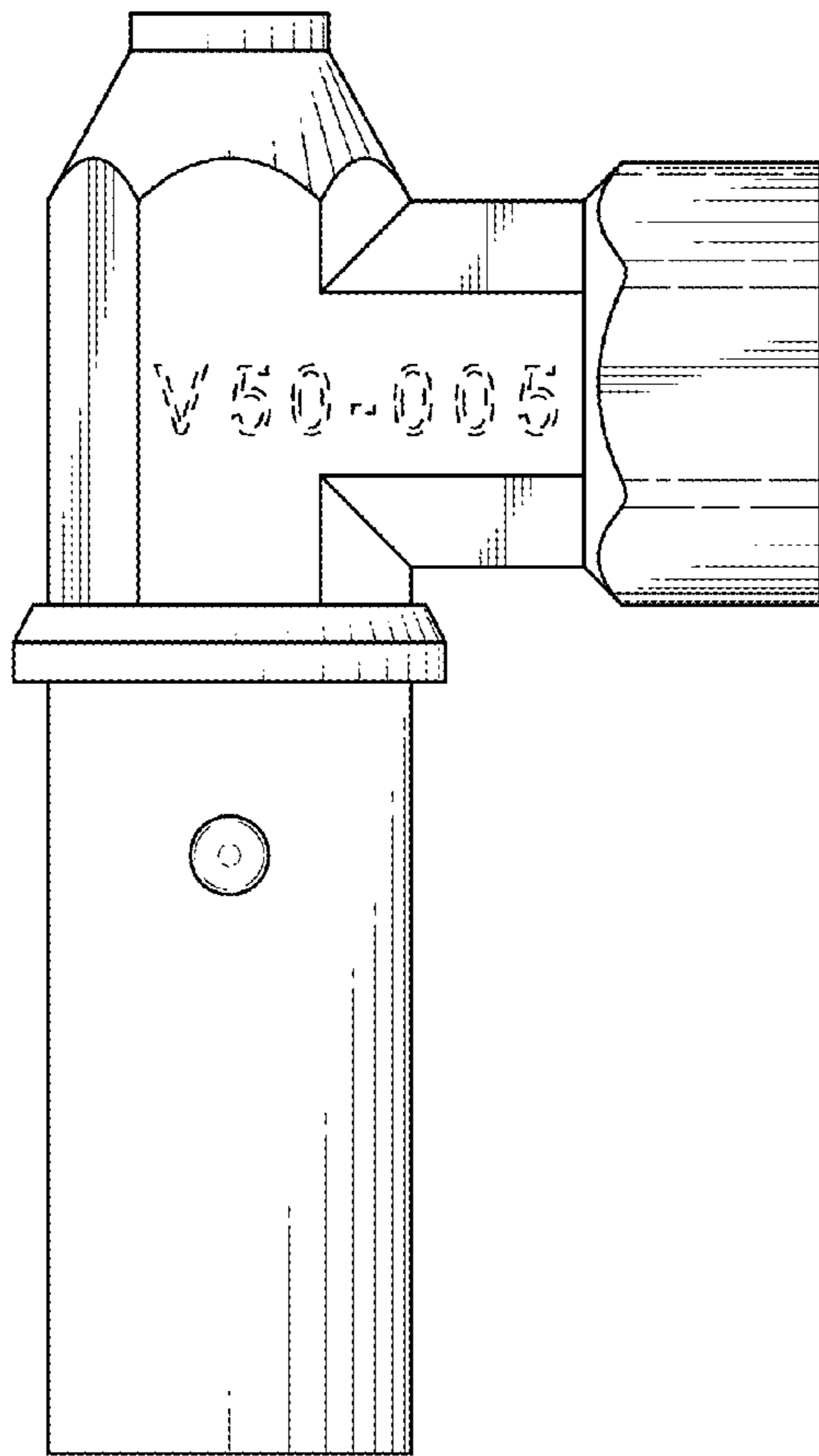


FIG. 4

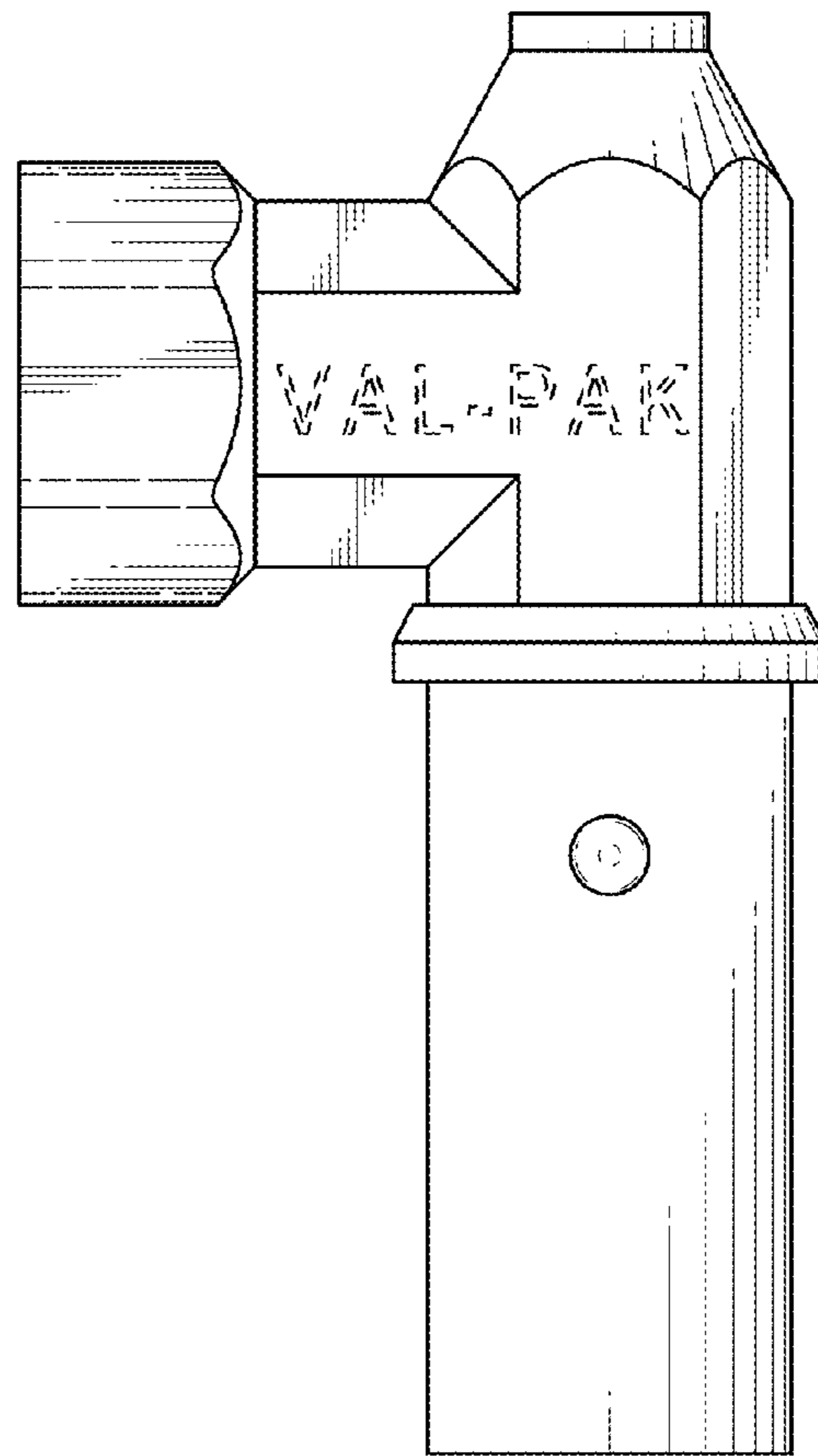


FIG. 5

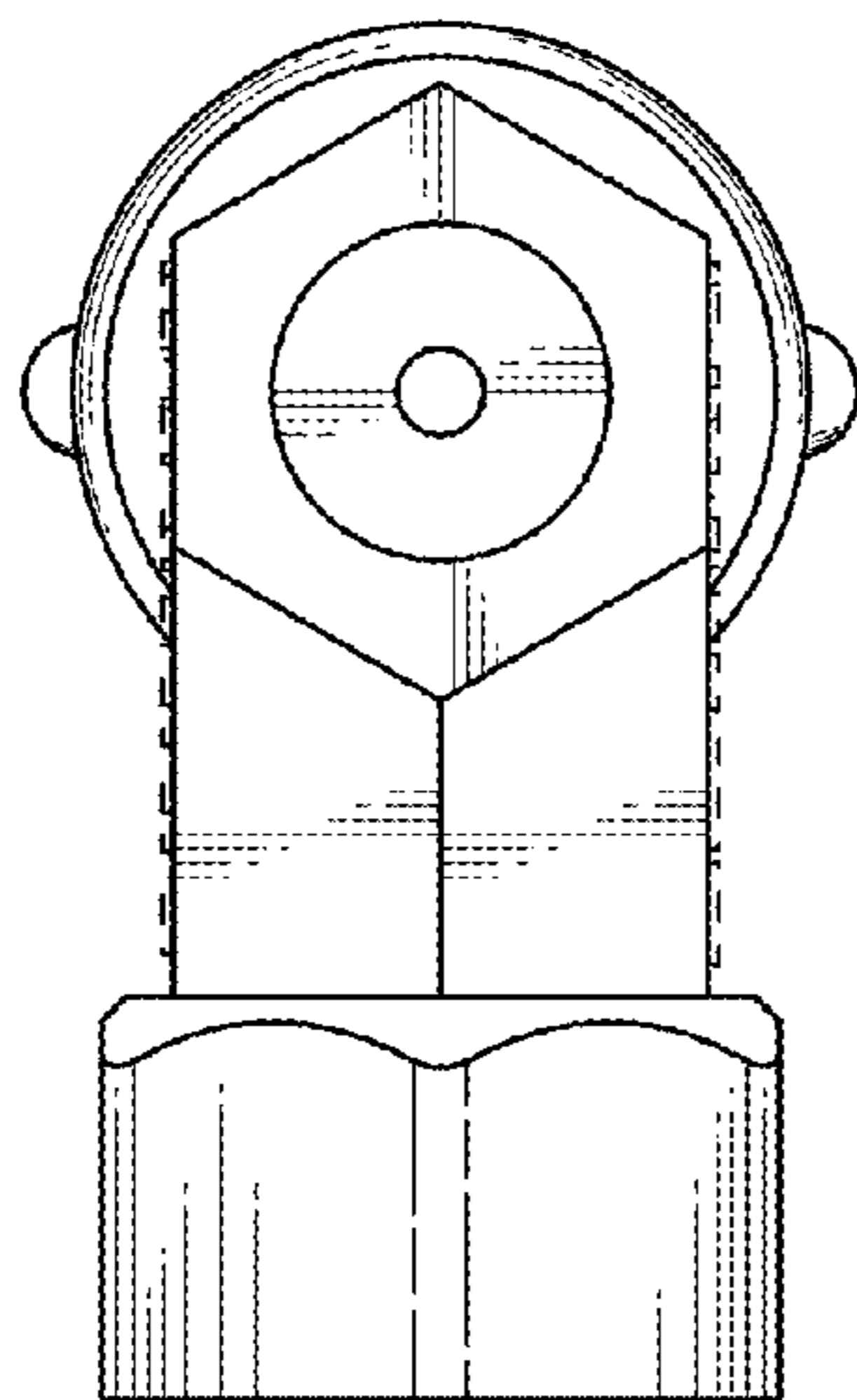


FIG. 6

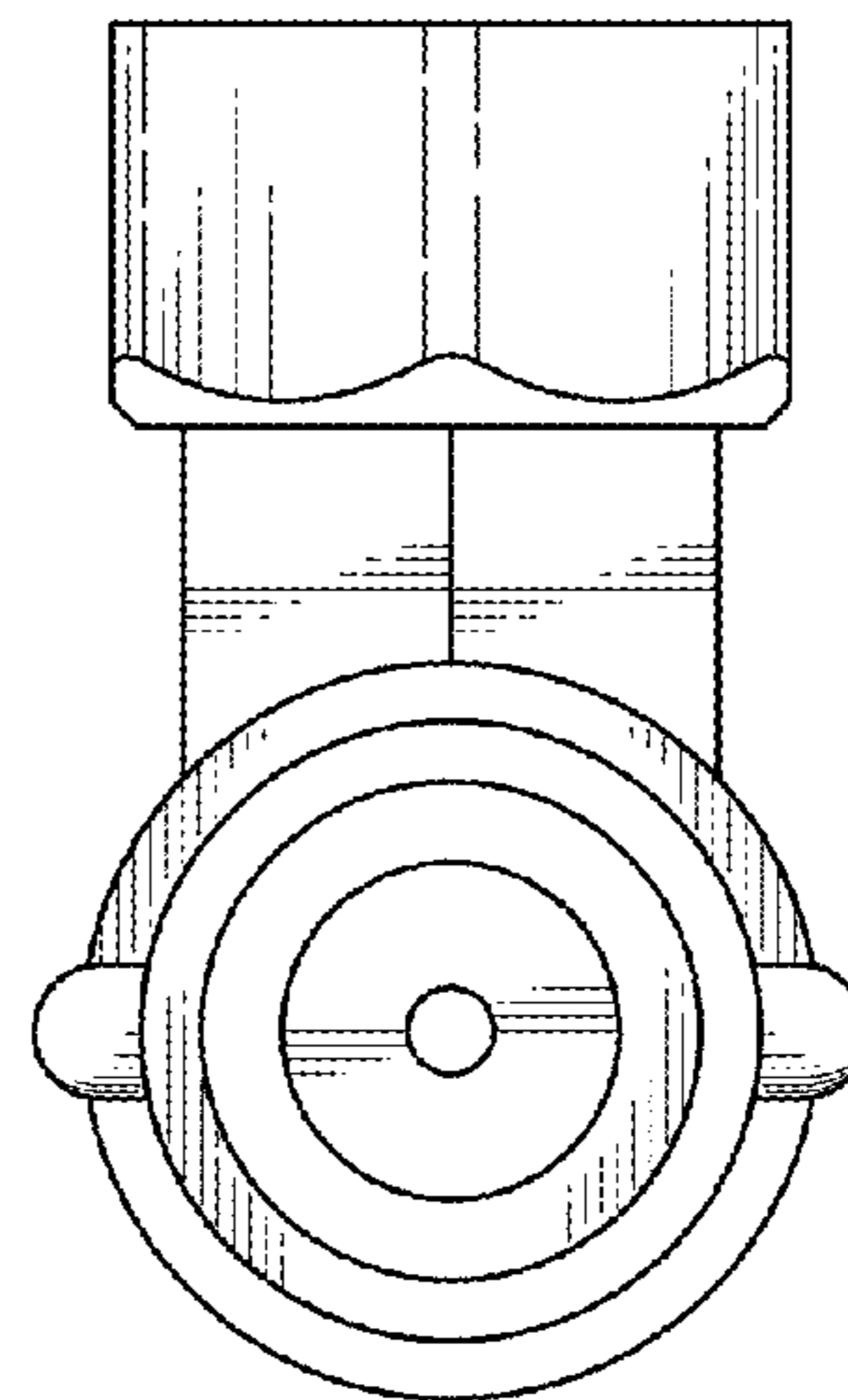


FIG. 7