



US00D767715S

(12) **United States Design Patent** (10) **Patent No.:** **US D767,715 S**
Kemper (45) **Date of Patent:** **** Sep. 27, 2016**

(54) **FILTRATION APPARATUS**

(71) Applicant: **Gerd Kemper**, Vreden (DE)

(72) Inventor: **Gerd Kemper**, Vreden (DE)

(**) Term: **15 Years**

(21) Appl. No.: **29/533,801**

(22) Filed: **Jul. 22, 2015**

Related U.S. Application Data

(62) Division of application No. 29/482,910, filed on Feb. 24, 2014, now Pat. No. Des. 748,221.

Foreign Application Priority Data

Sep. 11, 2013 (EM) 001383202-0001
Sep. 11, 2013 (EM) 001383202-0002
Sep. 11, 2013 (EM) 001383202-0003

(51) **LOC (10) Cl.** **23-01**

(52) **U.S. Cl.**
USPC **D23/209**

(58) **Field of Classification Search**
USPC D23/207, 209; 210/497.01, 232, 282
CPC C02F 1/003; B01D 35/30
See application file for complete search history.

(56) **References Cited**

U.S. PATENT DOCUMENTS

D251,571 S * 4/1979 Liebert D23/207
D500,836 S * 1/2005 Nishi D23/209

* cited by examiner

Primary Examiner — Robin V Webster

(74) *Attorney, Agent, or Firm* — Andrew Wilford

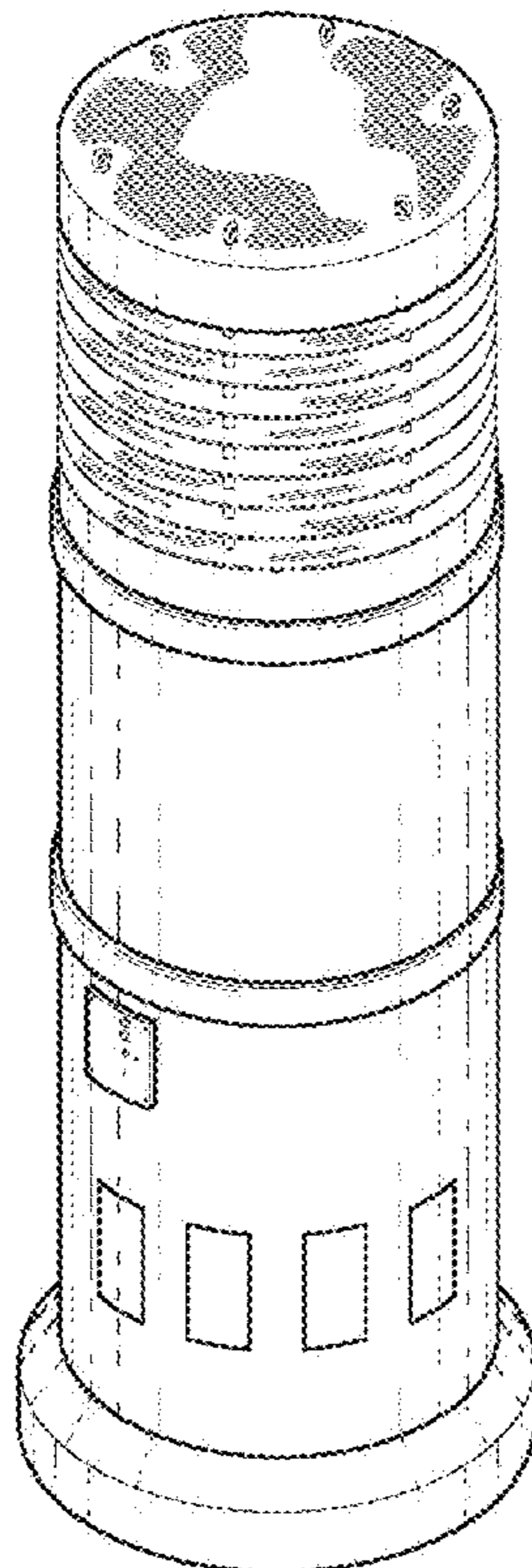
(57) **CLAIM**

The ornamental design for a filtration apparatus, as shown and described.

DESCRIPTION

FIG. 1 is a front elevational view of the filtration apparatus according to the invention;
FIG. 2 is a side elevational view filtration apparatus, the opposite side view being an identical mirror image thereof;
FIG. 3 is a back elevational view of the filtration apparatus;
FIGS. 4 and 5 are top and bottom views of the filtration apparatus; and,
FIG. 6 is a perspective view from above of the filtration apparatus.

1 Claim, 2 Drawing Sheets



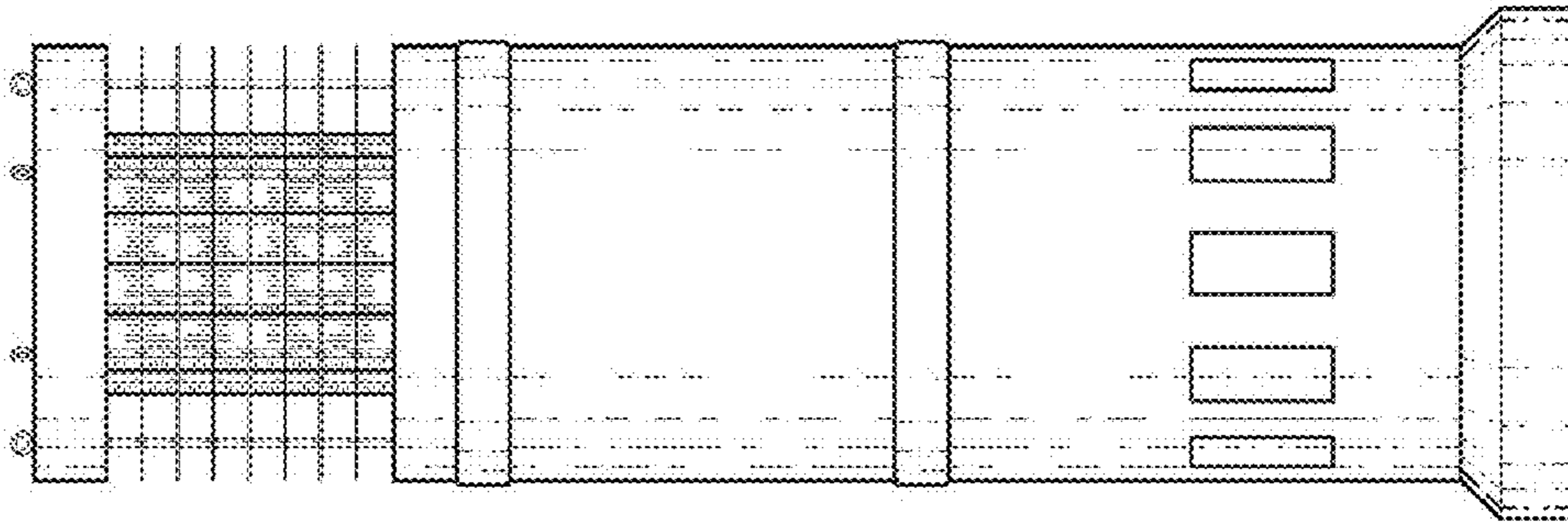


FIG. 3

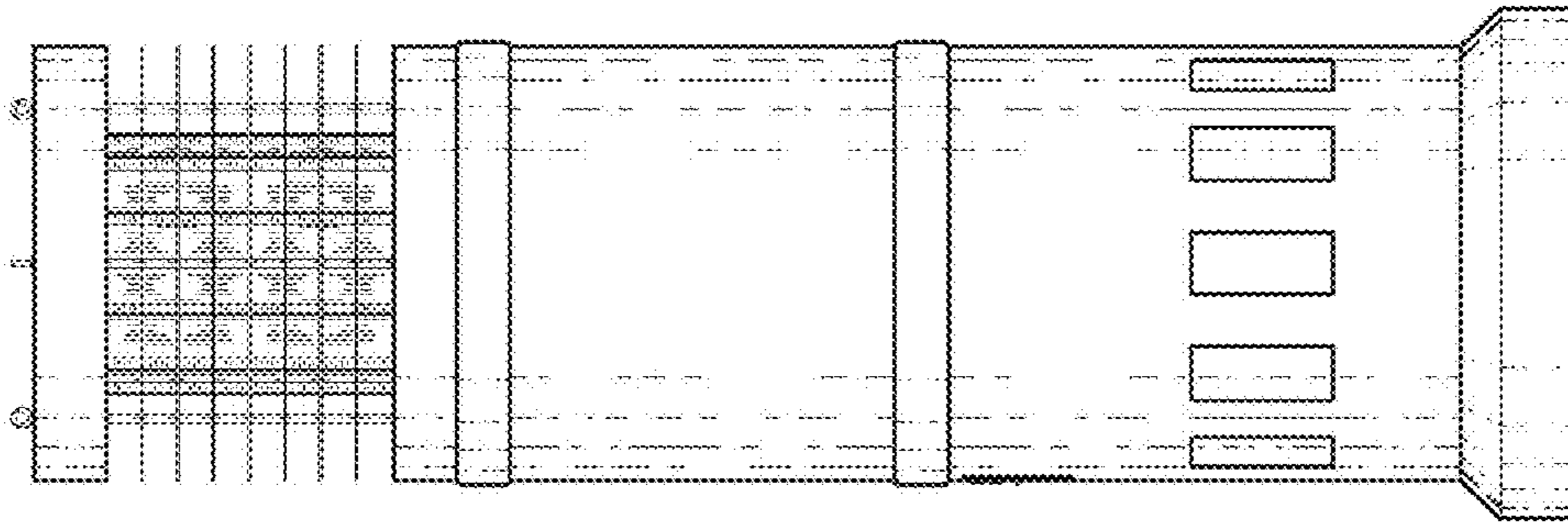


FIG. 2

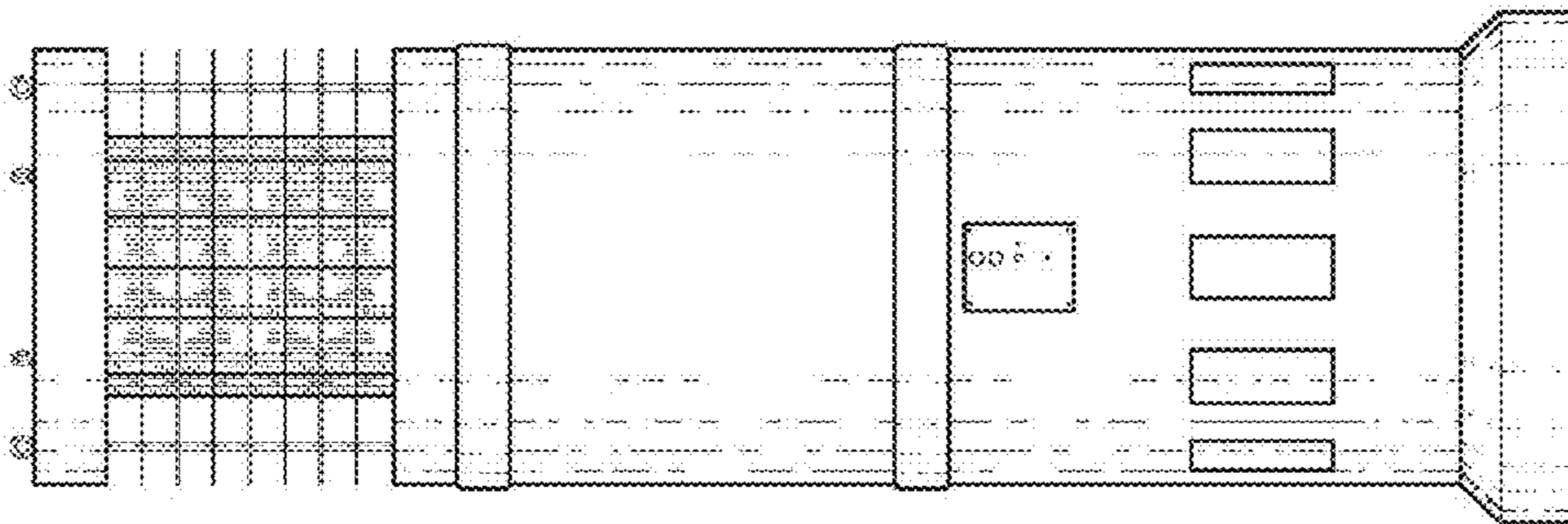


FIG. 1

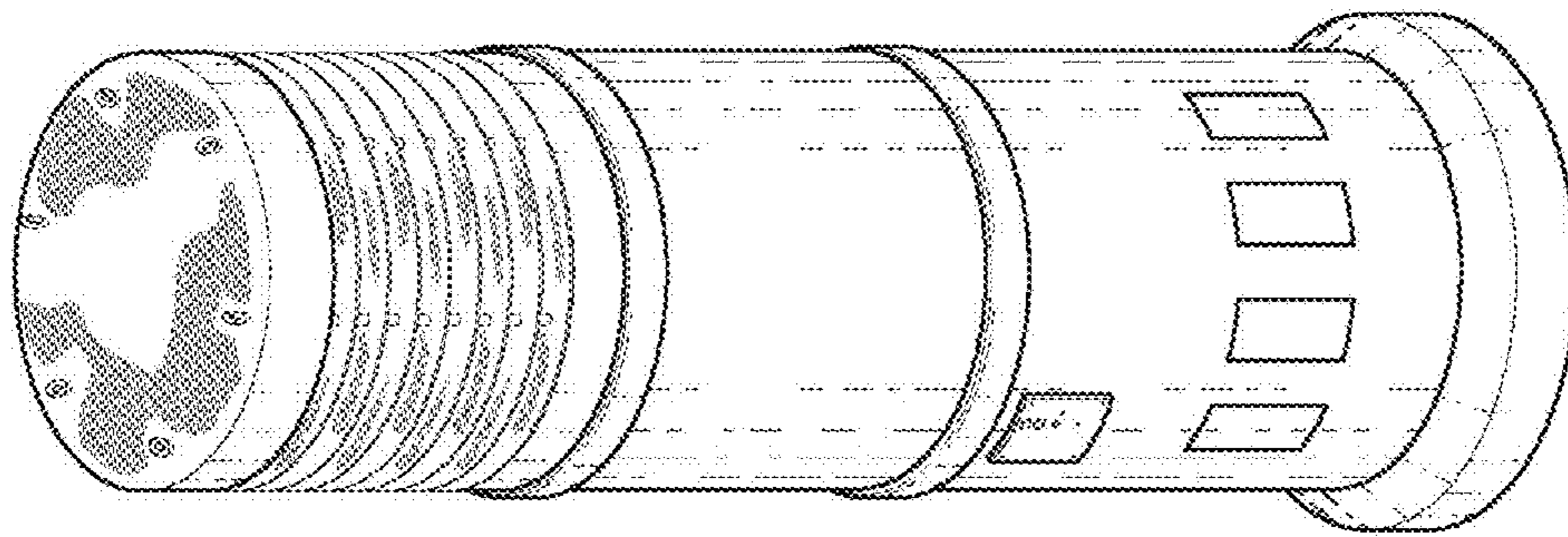


FIG. 6

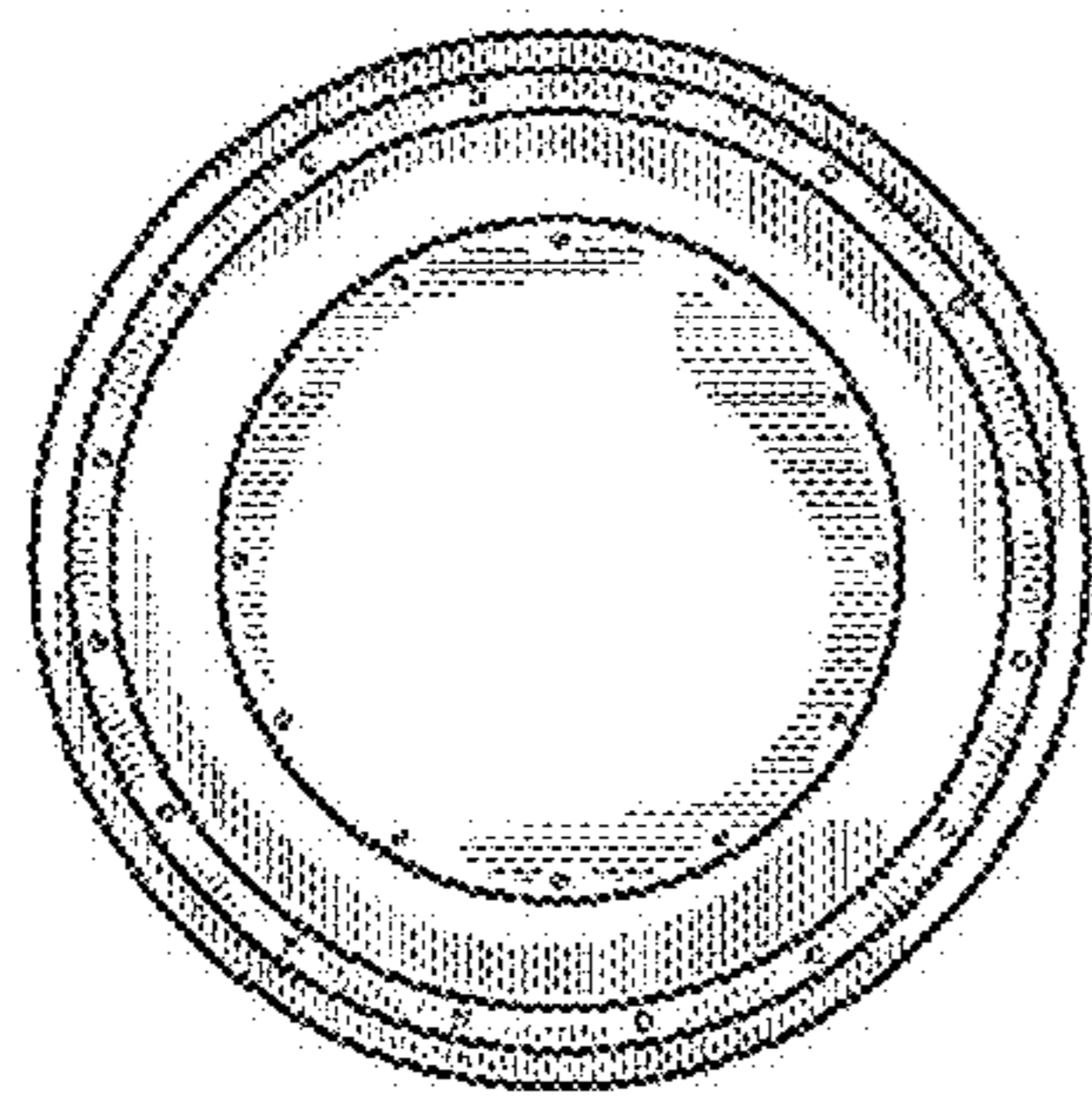


FIG. 4

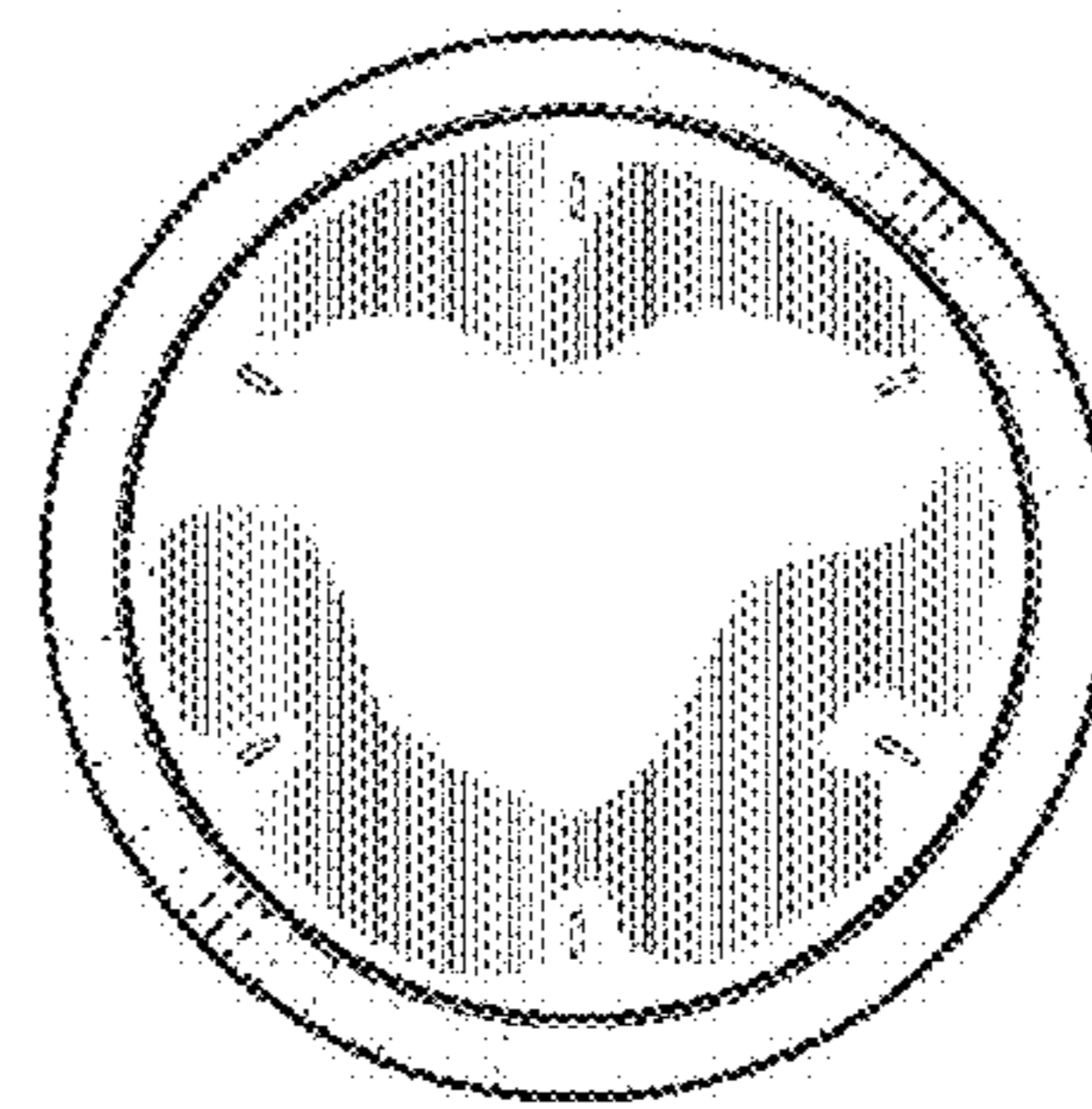


FIG. 5