

US00D767713S

(12) **United States Design Patent** (10) **Patent No.:** **US D767,713 S**  
**Biltoft et al.** (45) **Date of Patent:** **\*\* \*Sep. 27, 2016**

(54) **FILTRATION MODULE**

CPC ..... B01D 63/02; B01D 63/04; B01D 63/06;  
B01D 63/046; B01D 2313/06; B01D 2313/26  
See application file for complete search history.

(71) Applicant: **EVOQUA WATER TECHNOLOGIES LLC**, Warrendale, PA (US)

(56) **References Cited**

(72) Inventors: **Bruce Gregory Biltoft**, Chatsworth (AU); **Zhiyi Cao**, Lidcombe (AU); **Robert James McMahon**, Leichhardt (AU); **Tomasz Swiatek**, Baulkham Hills (AU); **Ying Hao Teo**, Quaker Hills (AU)

U.S. PATENT DOCUMENTS

D282,561	S	*	2/1986	Lu	.....	D23/207
5,405,528	A	*	4/1995	Selbie et al.	.....	210/232
D600,775	S	*	9/2009	Schmitt et al.	.....	D23/209
7,862,719	B2	*	1/2011	McMahon et al.	.....	210/321.69
D656,578	S	*	3/2012	Sherman et al.	.....	D23/209
D656,579	S	*	3/2012	Sherman et al.	.....	D23/209
8,240,482	B2	*	8/2012	Lescoche	.....	210/416.1

(73) Assignee: **Evoqua Water Technologies LLC**, Warrendale, PA (US)

\* cited by examiner

(\*) Notice: This patent is subject to a terminal disclaimer.

*Primary Examiner* — Robin V Webster

(\*\*) Term: **14 Years**

(57) **CLAIM**

We claim the ornamental design for a filtration module, as shown and described.

(21) Appl. No.: **29/476,936**

**DESCRIPTION**

(22) Filed: **Dec. 18, 2013**

(30) **Foreign Application Priority Data**

Jul. 10, 2013 (AU) ..... 13314/2013

(51) **LOC (10) Cl.** ..... **23-01**

(52) **U.S. Cl.**  
USPC ..... **D23/209**

(58) **Field of Classification Search**  
USPC ..... D23/207, 209, 210; 210/321.36,  
210/321.79, 321.8, 321.88, 321.89, 323.2,  
210/450

FIG. 1 is a plan view from front;  
FIG. 2 is a plan view from back;  
FIG. 3 is a plan view from left side;  
FIG. 4 is a plan view from right side;  
FIG. 5 is a plan view from top;  
FIG. 6 is a plan view from bottom;  
FIG. 7 is an isometric view from top right;  
FIG. 8 is an isometric view from bottom right;  
FIG. 9 is an isometric view from top left; and,  
FIG. 10 is n isometric view from bottom left.

**1 Claim, 8 Drawing Sheets**

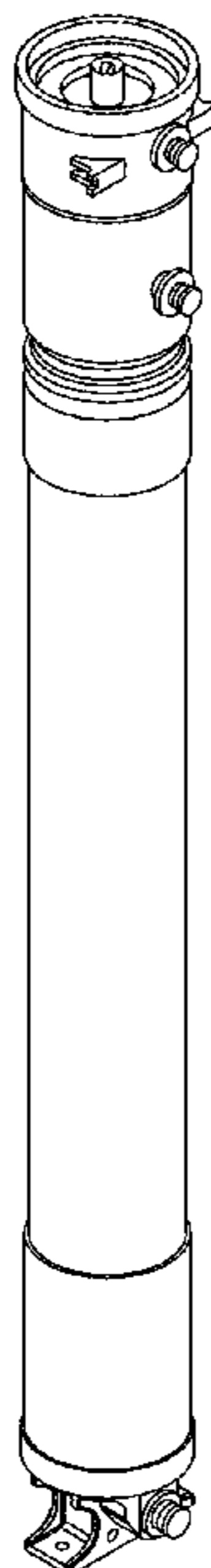


FIG. 1

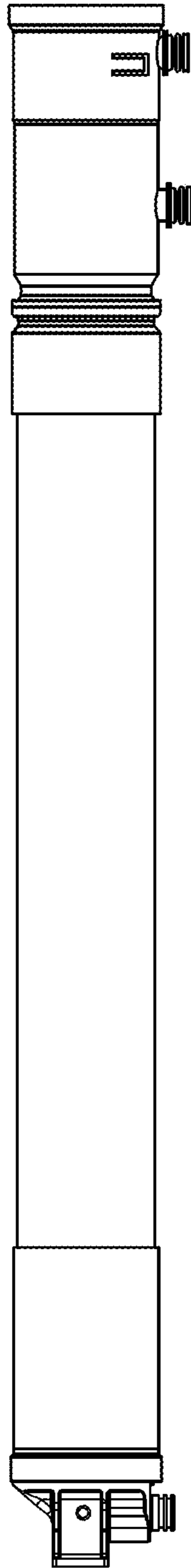


FIG. 2

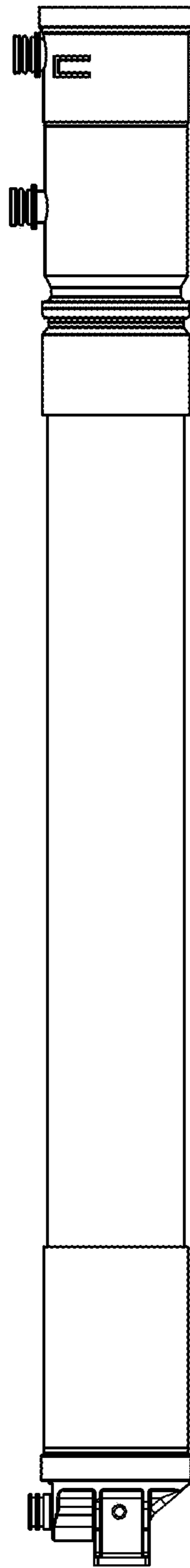


FIG. 3

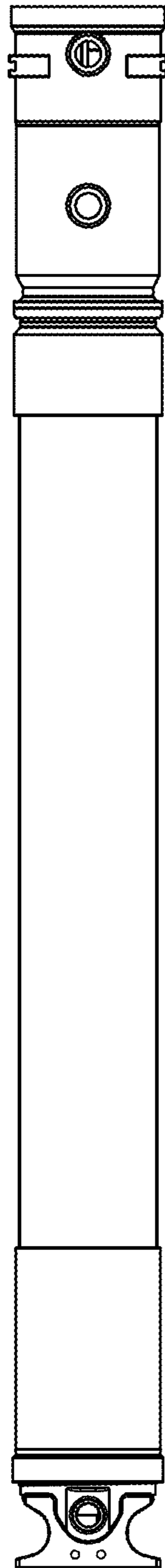


FIG. 4

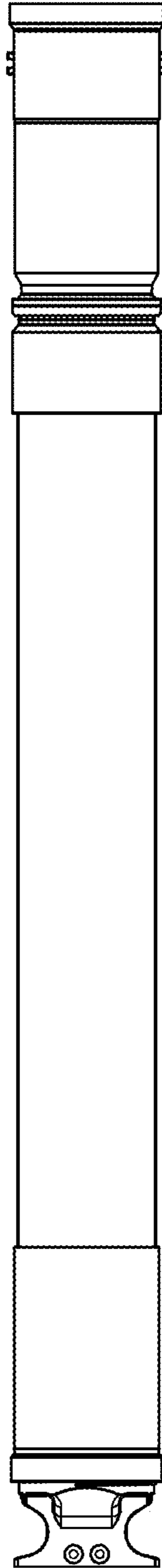


FIG. 5

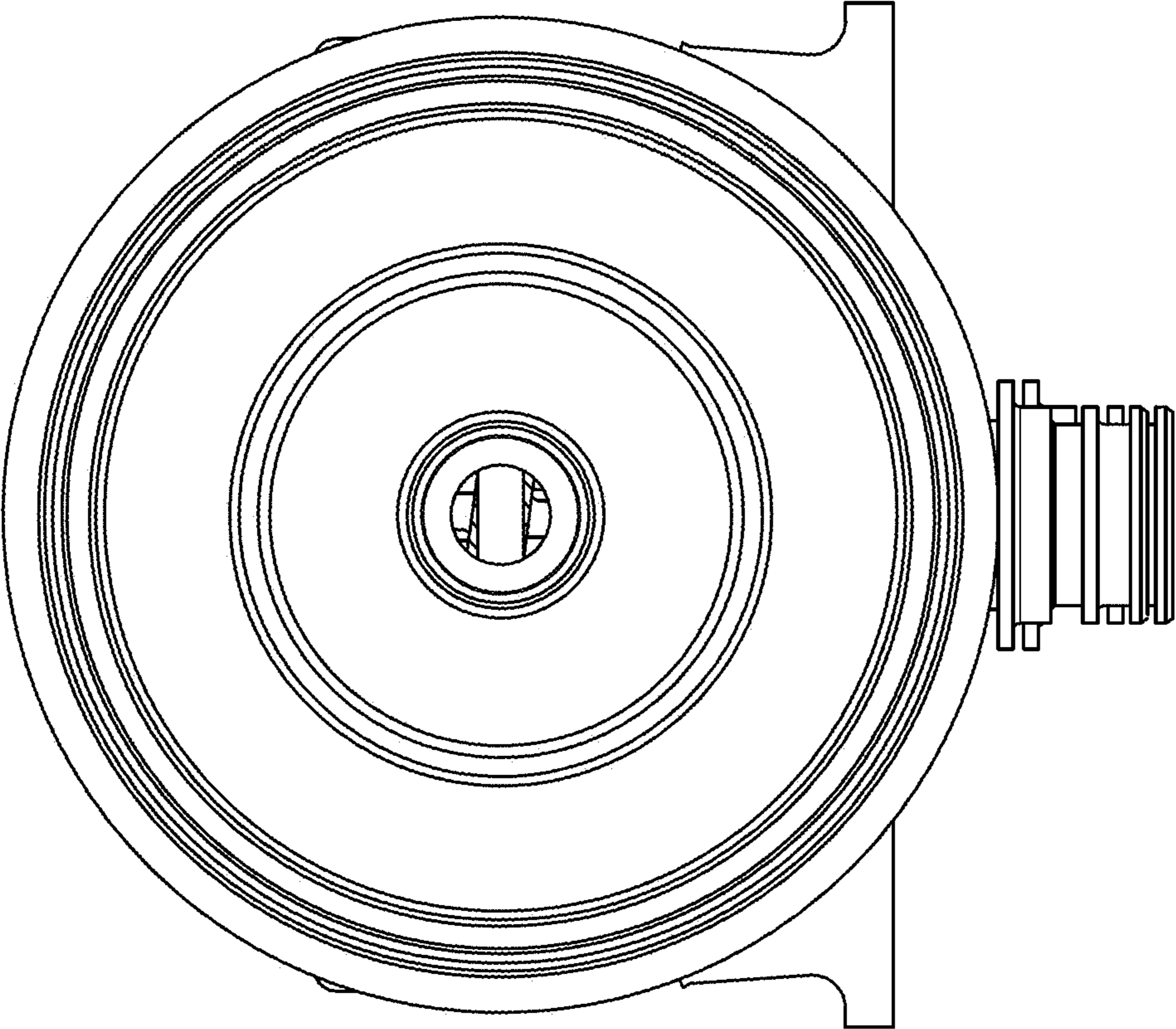


FIG. 6

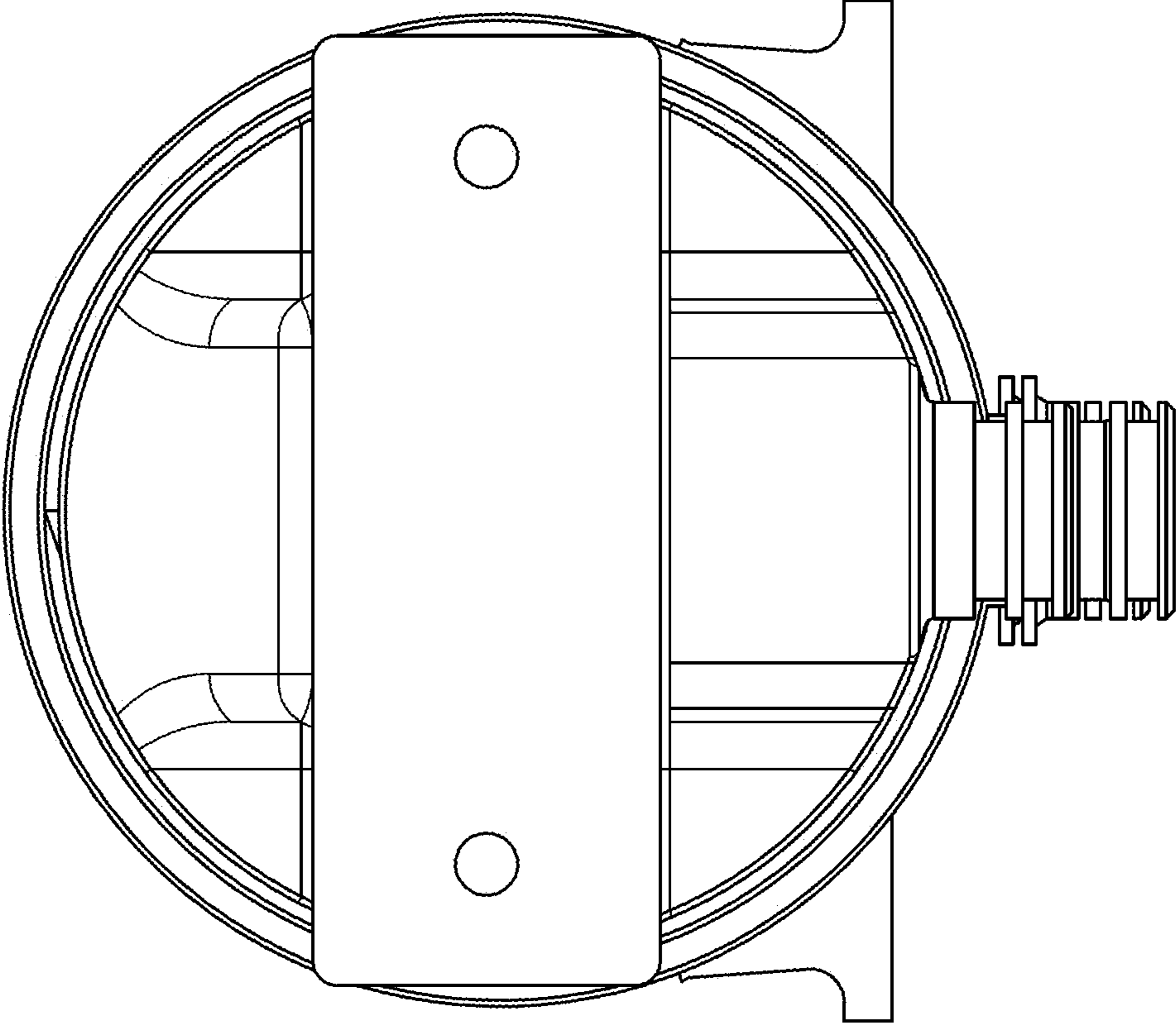


FIG. 7

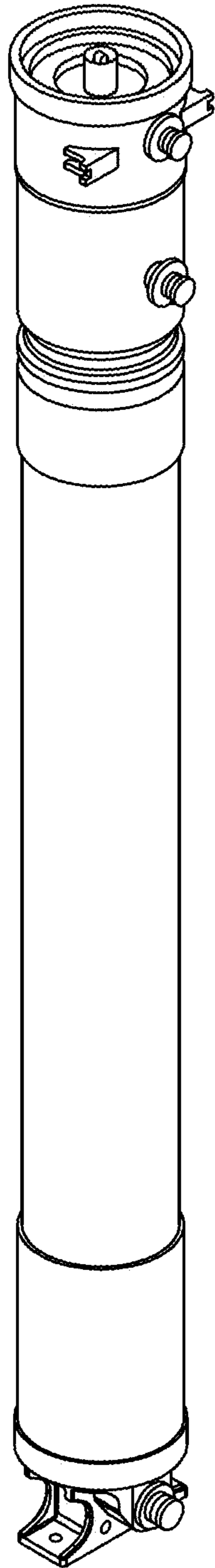


FIG. 8

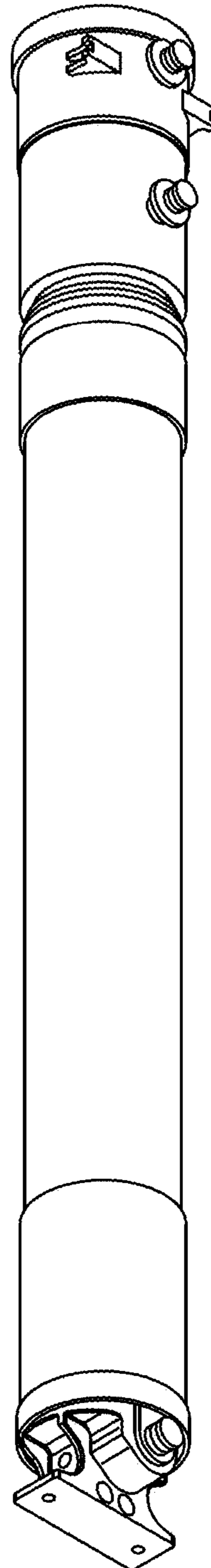




FIG. 9

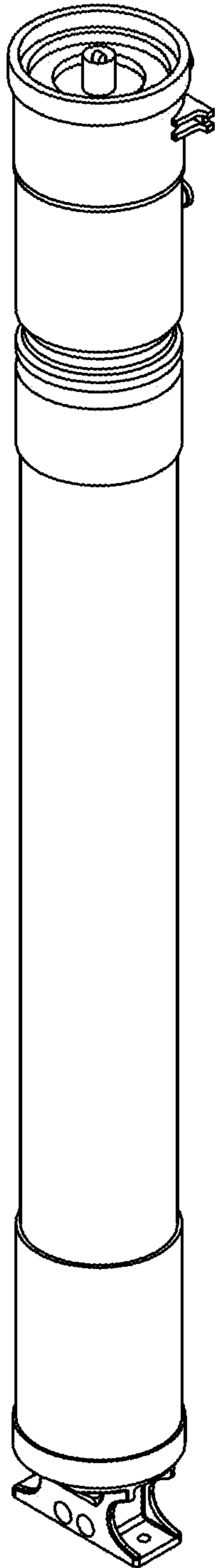


FIG. 10

