

US00D767711S

(12) **United States Design Patent** (10) **Patent No.:** **US D767,711 S**  
**Anumalasetty et al.** (45) **Date of Patent:** **\*\* Sep. 27, 2016**

(54) **WATER PURIFIER WITH OZONE**

(56) **References Cited**

(71) Applicant: **Conopco, Inc.**, Englewood Cliffs, NJ (US)

U.S. PATENT DOCUMENTS

(72) Inventors: **Silpa Suresh Anumalasetty**, Mumbai (IN); **Roshni Chatterjee**, Jharkhand (IN); **Michael Victor R. Foley**, Bangalore (IN); **Sunil Kumar Sampath Kumar Naraganahalli**, Bangalore (IN)

D273,412 S *	4/1984	Johnson	.....	D23/207
D273,696 S *	5/1984	Johnson	.....	D23/207
D654,145 S *	2/2012	Chatterjee	.....	D23/207
D674,874 S *	1/2013	Mueller	.....	D23/207
D706,902 S *	6/2014	Batten	.....	D23/207

(73) Assignee: **Conopco, Inc.**, Englewood Cliffs, NJ (US)

OTHER PUBLICATIONS

Co-pending Application: Applicant: Kumaran et al., U.S. Appl. No. 29/531,805, filed Jun. 30, 2015.

(\*\*) Term: **15 Years**

\* cited by examiner

(21) Appl. No.: **29/531,826**

*Primary Examiner* — Robin V Webster

(22) Filed: **Jun. 30, 2015**

(74) *Attorney, Agent, or Firm* — Rimma Mitelman

(30) **Foreign Application Priority Data**

(57) **CLAIM**

Jan. 7, 2015 (EM) ..... 002609107-0001

The ornamental design for a water purifier with ozone, as shown and described.

(51) **LOC (10) Cl.** ..... **23-01**

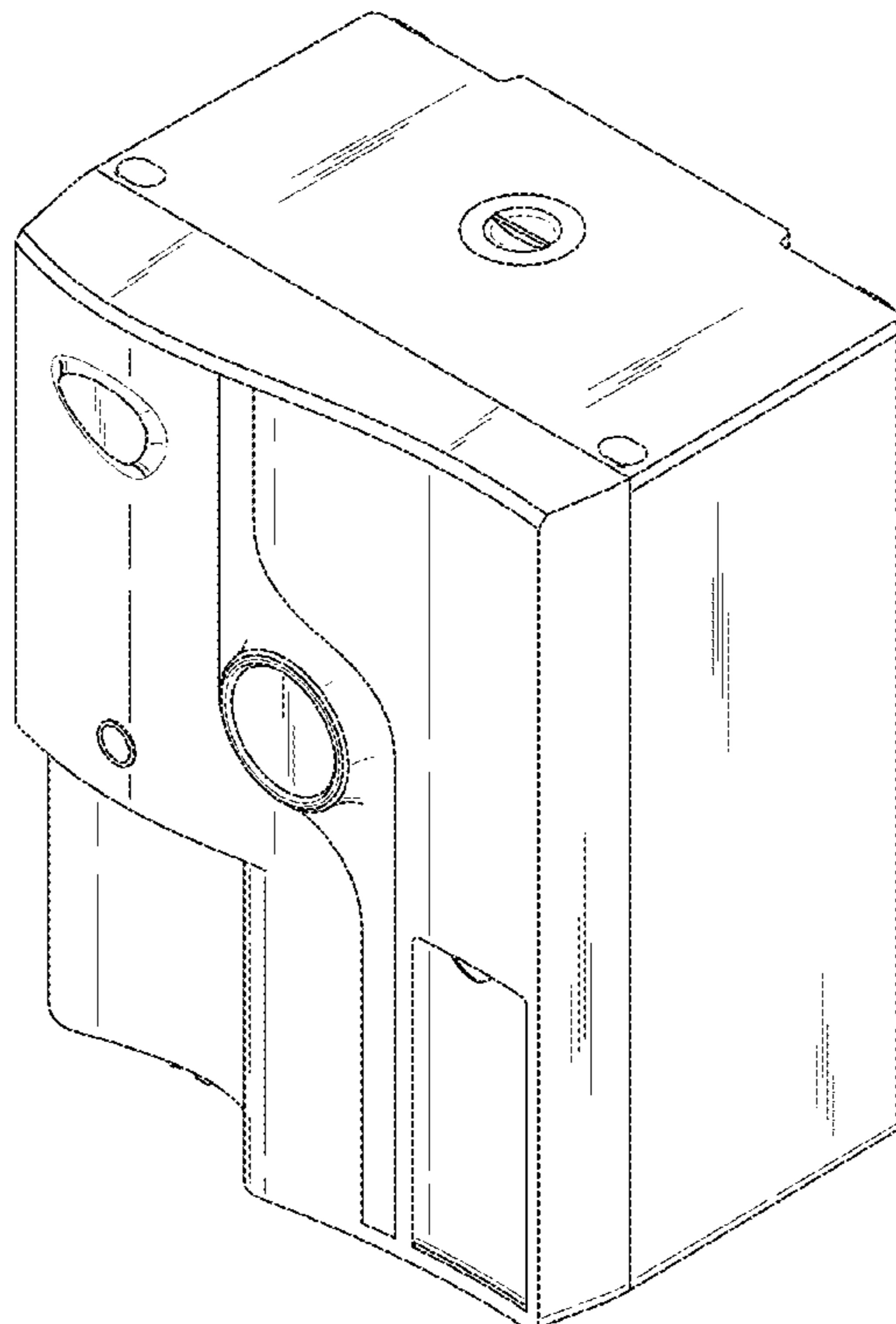
**DESCRIPTION**

(52) **U.S. Cl.**  
USPC ..... **D23/207**

FIG. 1 is a front perspective view from top and right side of a water purifier with ozone showing our new design; FIG. 2 is a front elevational view thereof; FIG. 3 is a back elevational view thereof; FIG. 4 is a right side elevational view thereof; FIG. 5 is a left side elevational view thereof; FIG. 6 is a top plan view thereof; and, FIG. 7 is a bottom plan view thereof. The broken line showing is included for the purpose of illustrating and forms no part of the claimed design.

(58) **Field of Classification Search**  
USPC ..... D23/207, 209; 210/241, 435, 140, 190, 210/191; 202/81, 83, 185.3  
CPC ..... C02F 1/42  
See application file for complete search history.

**1 Claim, 6 Drawing Sheets**



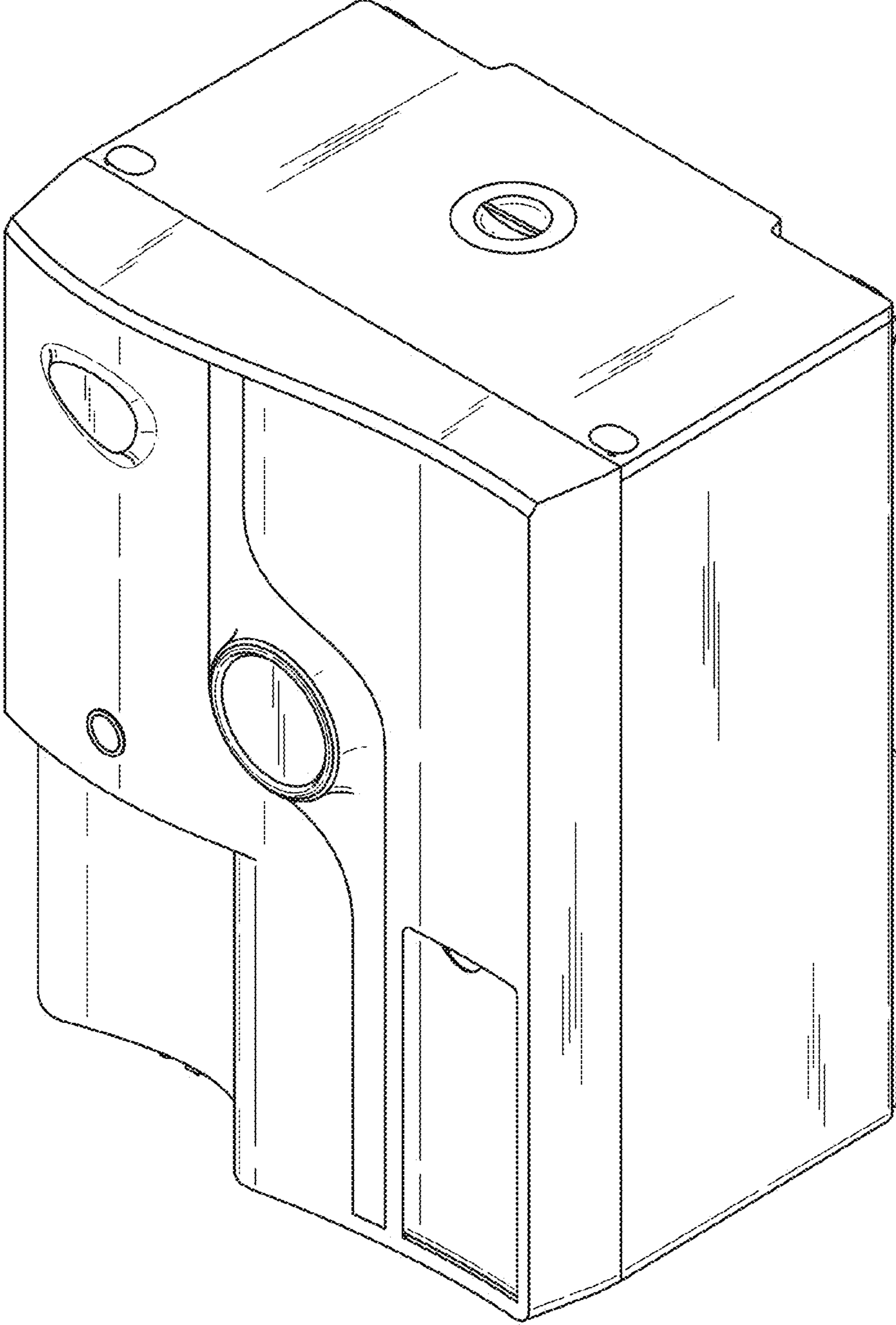


Fig. 1

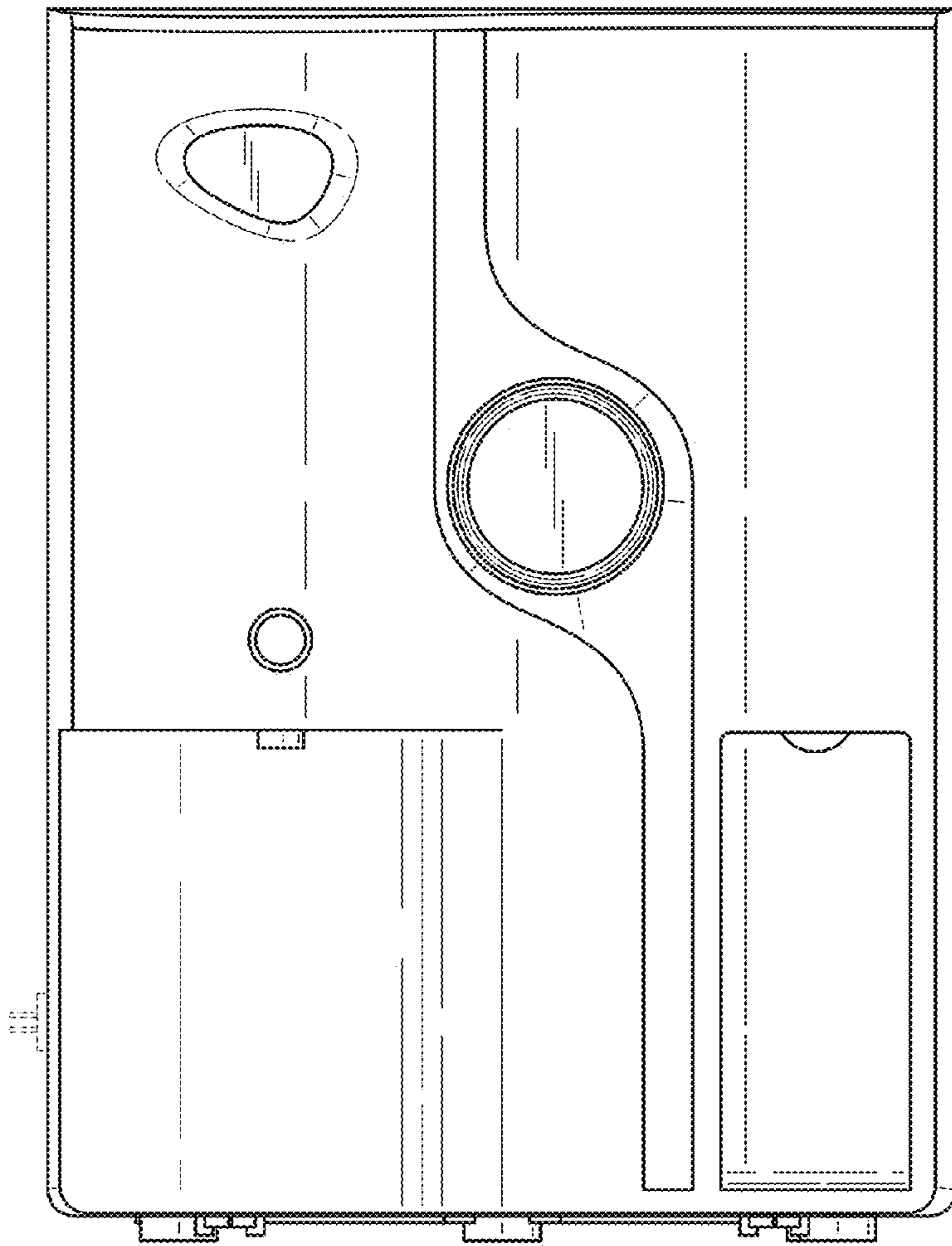


Fig. 2

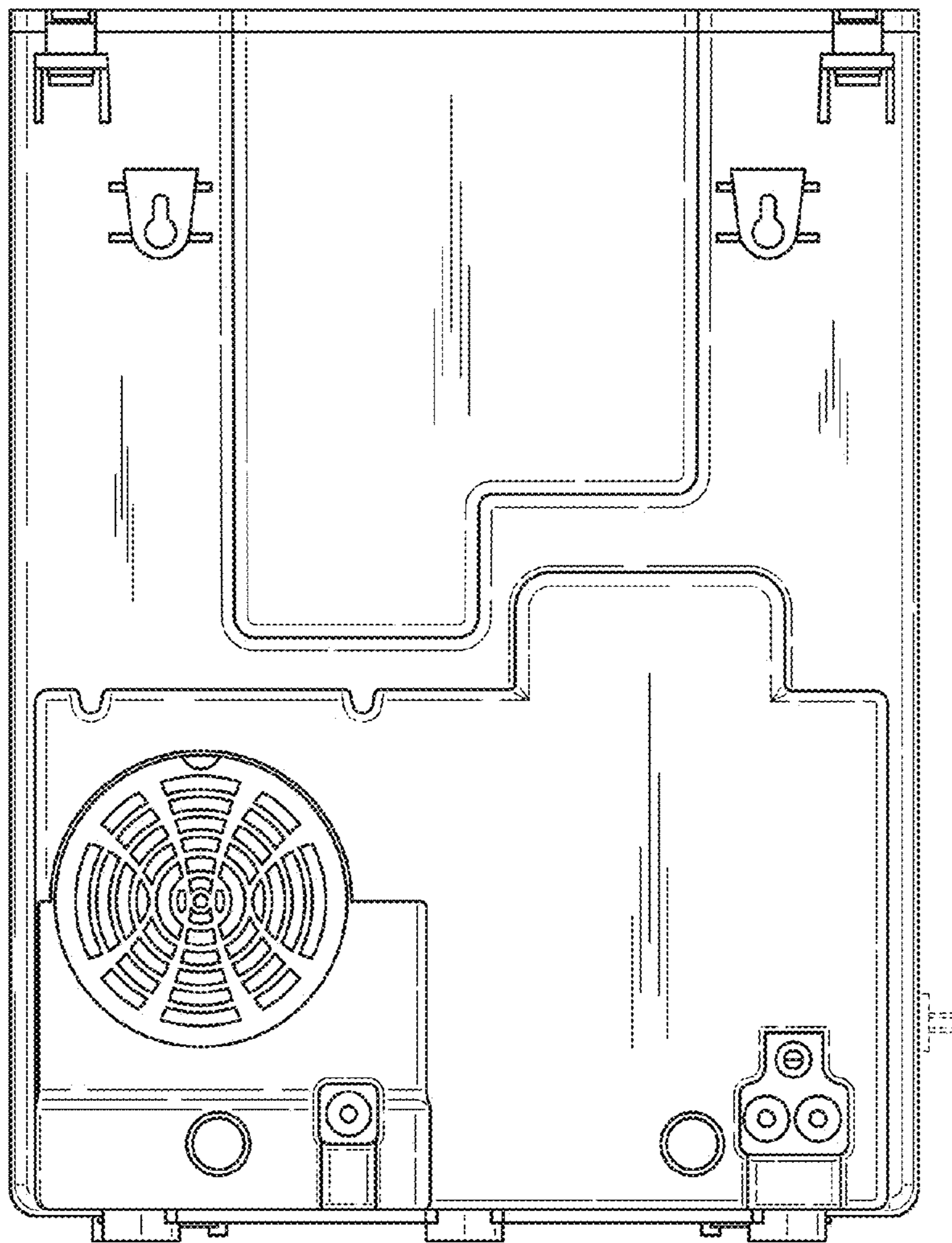


Fig. 3

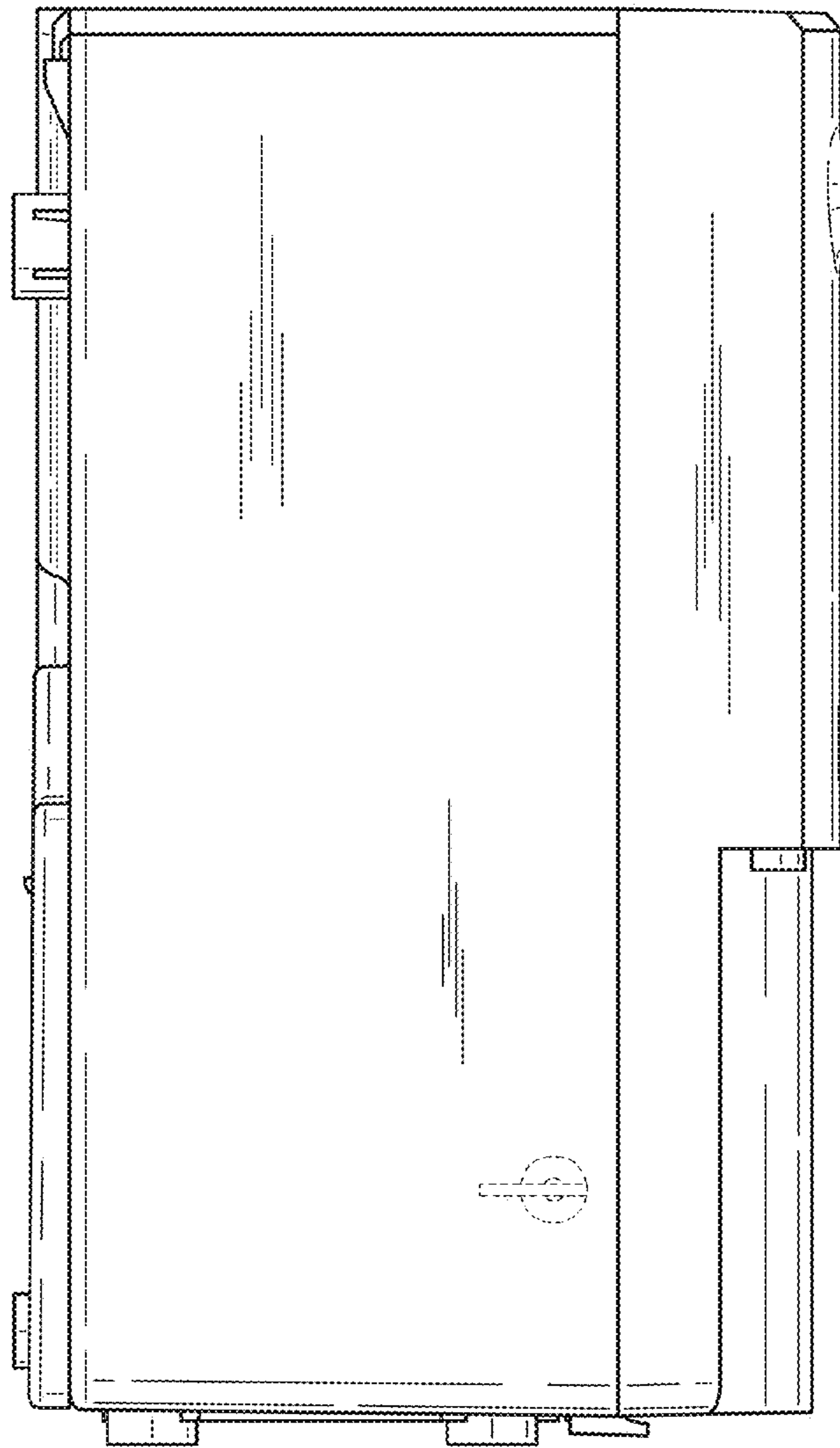


Fig. 4

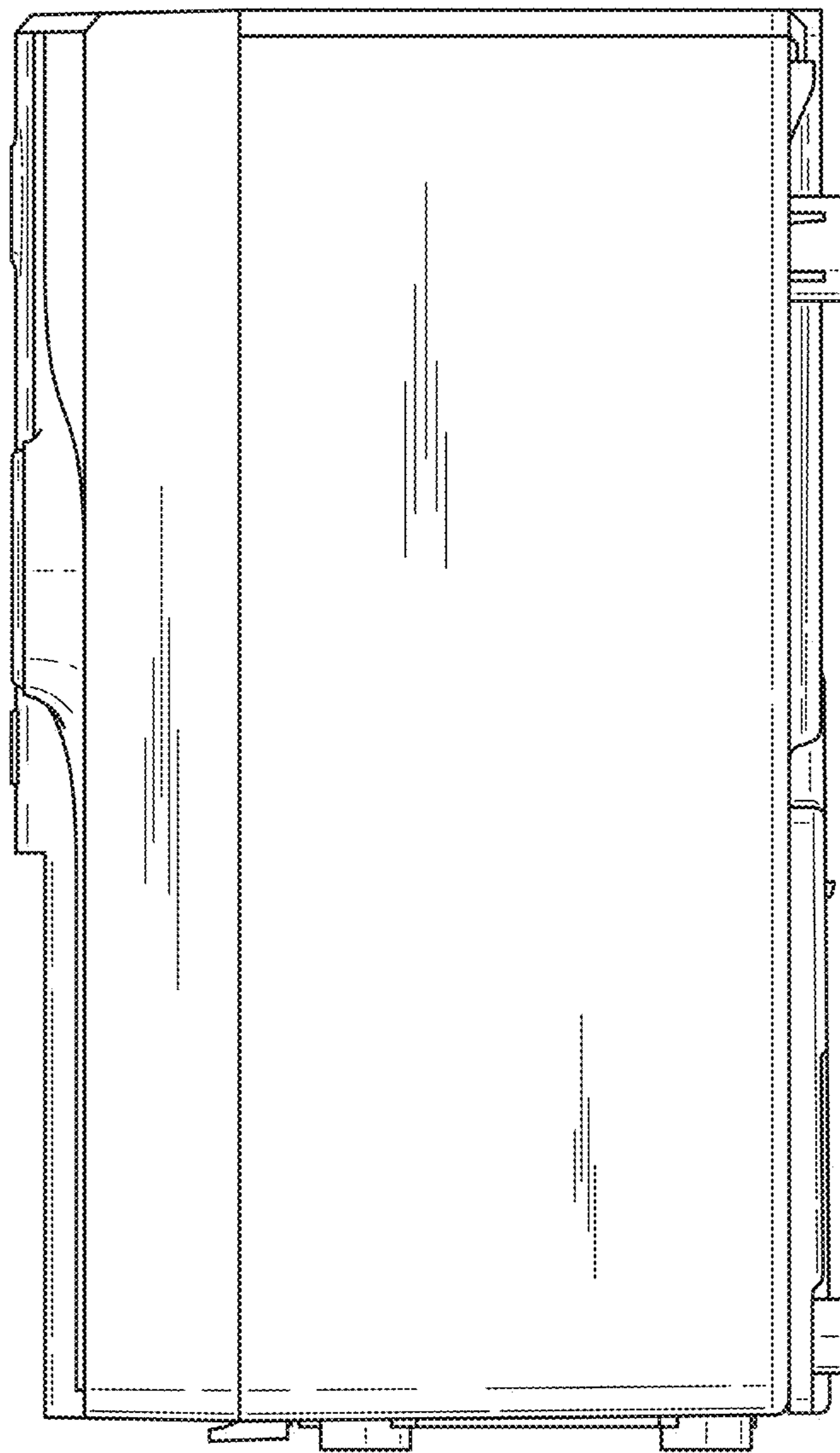


Fig. 5

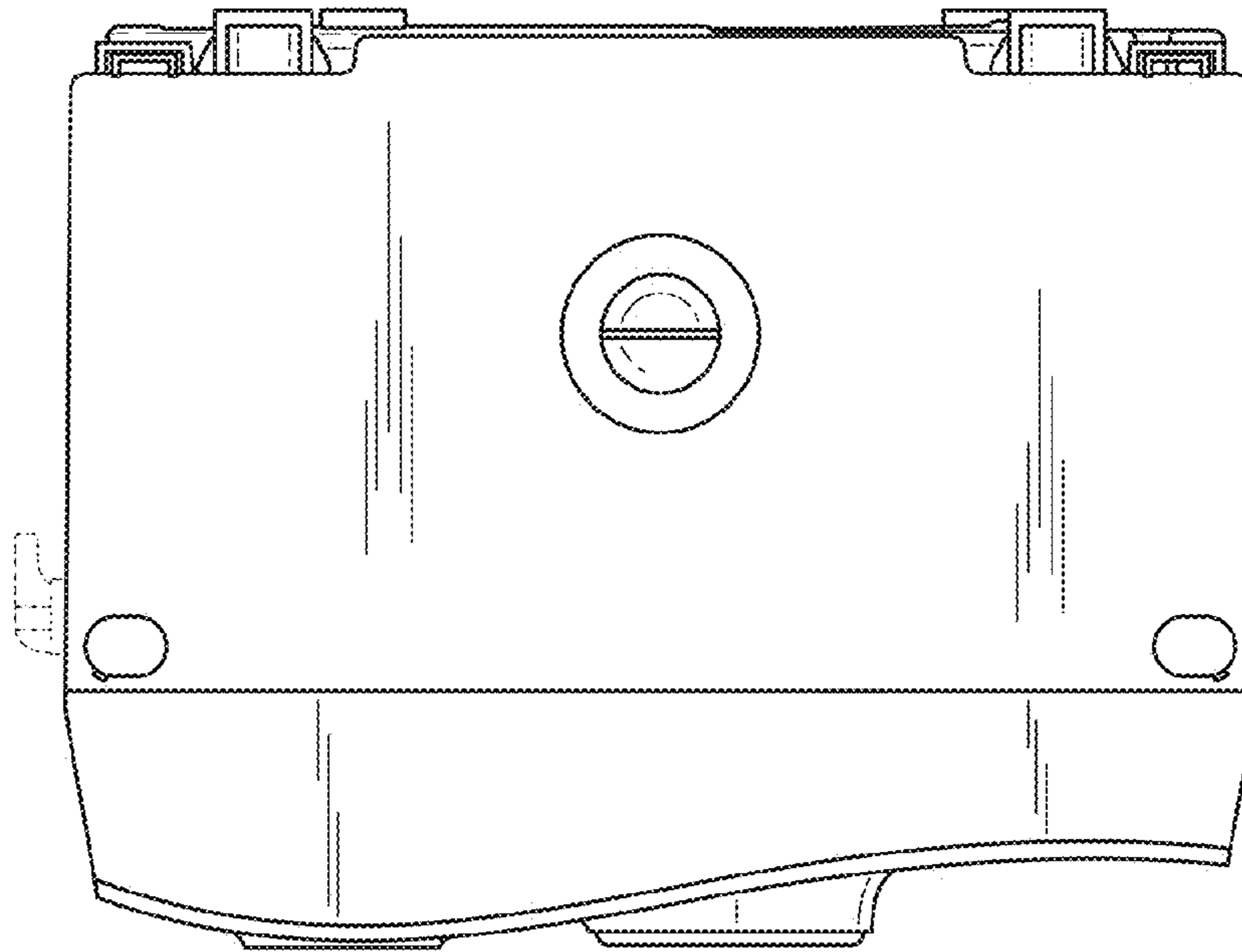


Fig. 6

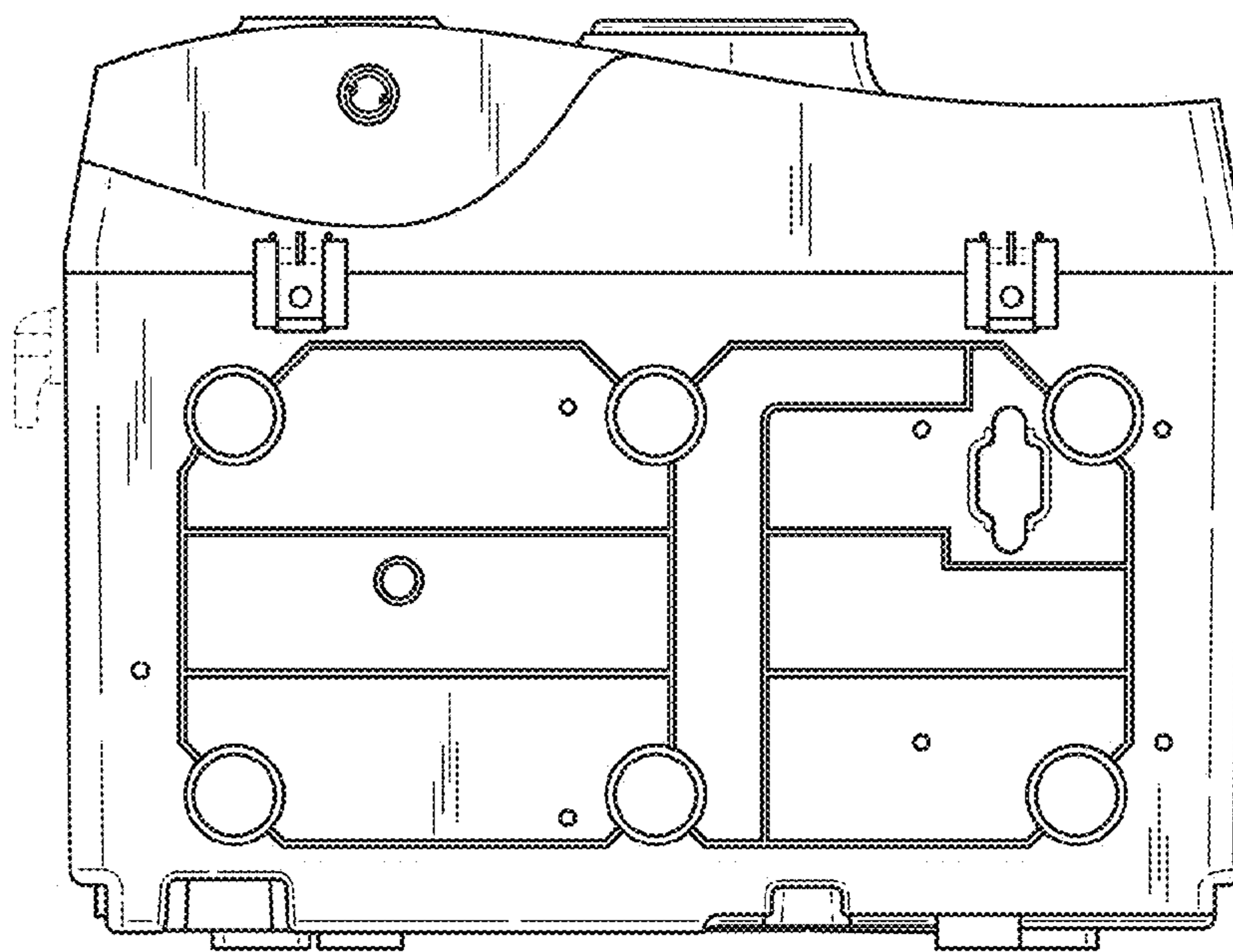


Fig. 7