

US00D767709S

(12) **United States Design Patent**
DeWitt

(10) **Patent No.:** **US D767,709 S**

(45) **Date of Patent:** **** Sep. 27, 2016**

- (54) **FISHING LURE**
- (71) Applicant: **Michael E. DeWitt**, St. Petersburg, FL
(US)
- (72) Inventor: **Michael E. DeWitt**, St. Petersburg, FL
(US)
- (**) Term: **15 Years**
- (21) Appl. No.: **29/541,031**
- (22) Filed: **Sep. 30, 2015**
- (51) **LOC (10) Cl.** **22-05**
- (52) **U.S. Cl.**
USPC **D22/132**
- (58) **Field of Classification Search**
USPC D22/126, 127, 128, 129, 130, 131, 132,
D22/133, 135, 144
CPC A01K 85/00; A01K 85/01; A01K 85/02;
A01K 85/10; A01K 85/16; A01K 85/18
See application file for complete search history.

D696,379 S *	12/2013	Lindsey	D22/126
D704,795 S *	5/2014	Patrick	D22/133
D713,925 S *	9/2014	Vainio	D22/133
D739,914 S *	9/2015	Cook, Jr.	D22/133
D741,447 S *	10/2015	Cook, Jr.	D22/133
D742,473 S *	11/2015	Cook, Jr.	D22/131
D742,474 S *	11/2015	Cook, Jr.	D22/132
D742,477 S *	11/2015	Cook, Jr.	D22/133
D742,478 S *	11/2015	Cook, Jr.	D22/133
D742,479 S *	11/2015	Cook, Jr.	D22/133
D760,341 S *	6/2016	Sanford	D22/133
D760,865 S *	7/2016	Taboada	D22/133
2007/0175083 A1 *	8/2007	Wilson	A01K 85/02 43/42.15
2010/0146837 A1 *	6/2010	Zernov	A01K 85/18 43/42.15
2013/0097915 A1 *	4/2013	Tamburro	A01K 85/00 43/43.16

(Continued)

Primary Examiner — Manpreet Matharu
Assistant Examiner — Suzanne Tisdell
(74) *Attorney, Agent, or Firm* — Thomas Frost

(57) **CLAIM**
The ornamental design for a fishing lure, as shown and described.

(56) **References Cited**

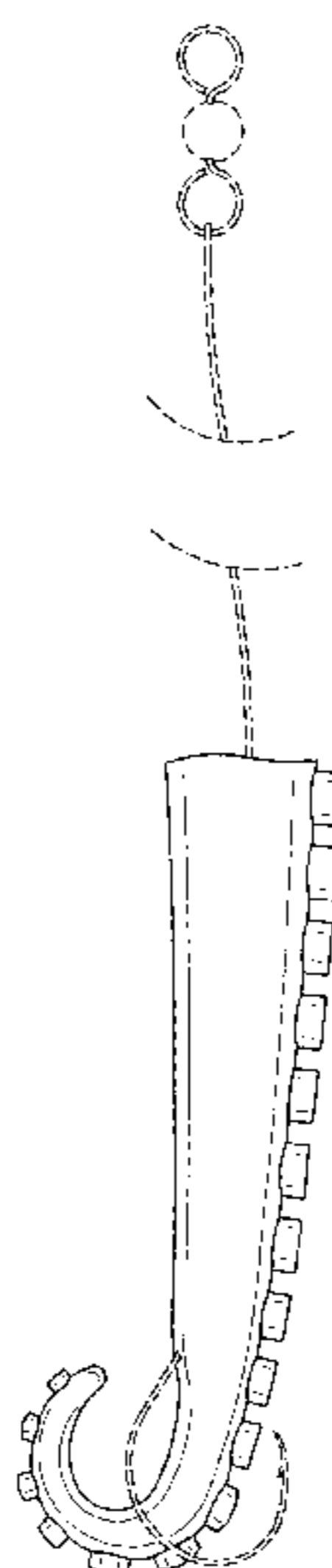
U.S. PATENT DOCUMENTS

3,165,858 A	1/1965	Rutter	
D248,868 S *	8/1978	Williams, Jr. D22/127
D255,704 S	7/1980	Helfenstine et al.	
D300,449 S	3/1989	Tucker	
5,142,811 A	9/1992	Freeman	
D354,329 S	1/1995	Long	
D369,199 S *	4/1996	Coggins D22/126
D369,200 S *	4/1996	Huddleston D22/133
D381,062 S *	7/1997	Hansen D22/133
D428,104 S	7/2000	Woods	
D429,310 S	8/2000	DiLiberti	
D433,727 S	11/2000	Gibbs	
D437,025 S *	1/2001	Peck D22/131
D548,302 S *	8/2007	Steckelberg D22/133
D561,867 S *	2/2008	Anderson D22/133
D676,104 S *	2/2013	Cook, Jr. D22/133
D676,519 S *	2/2013	Cook, Jr. D22/133

DESCRIPTION

FIG. 1 is a left side elevational view of the design for a fishing lure of present invention;
FIG. 2 is a right side elevational view of the fishing lure;
FIG. 3 is a top plan view of the fishing lure;
FIG. 4 is a bottom plan view of the fishing lure;
FIG. 5 is a rear elevational view of the fishing lure;
FIG. 6 is a front elevational view of the fishing lure; and,
FIG. 7 is a sectional view taken substantially along the line 7-7 of FIG. 3.
The broken line showing of a hook and fishing line is for illustrative purposes only and forms no part of the claimed design.

1 Claim, 5 Drawing Sheets



US D767,709 S

Page 2

(56)

References Cited

U.S. PATENT DOCUMENTS

2015/0089858	A1*	4/2015	Burdick	A01K 85/16	43/42.09
2015/0150226	A1*	6/2015	McLeod	A01K 85/16	43/42.06
2015/0289491	A1*	10/2015	Mancini	A01K 85/01	43/17.6
2016/0000057	A1*	1/2016	Mistilis	A01K 85/10	43/17.6
2016/0021859	A1*	1/2016	Stull et al.	A01K 83/00	43/44.83
2016/0157471	A1*	6/2016	Leppala	A01K 85/16	43/42.22
2016/0165866	A1*	6/2016	LaMey	A01K 85/18	43/42.09

* cited by examiner

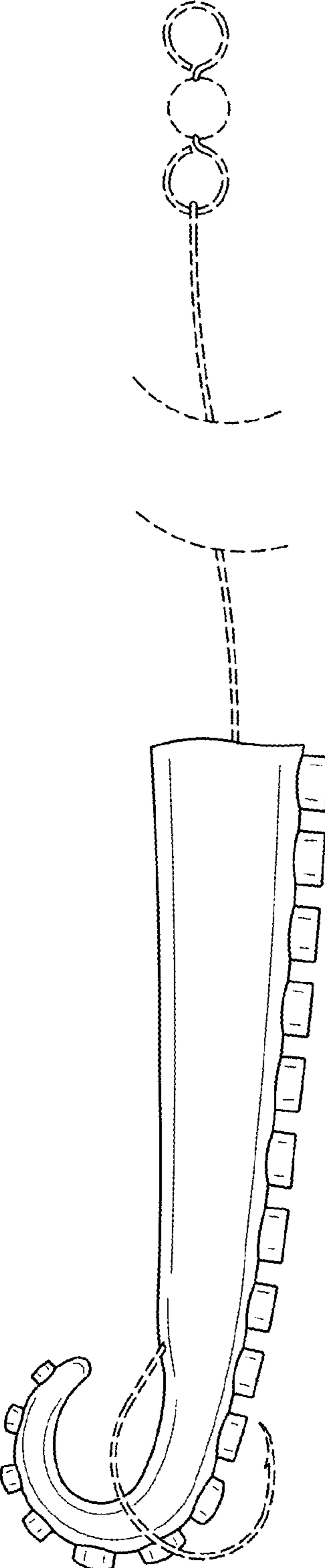


FIG. 1

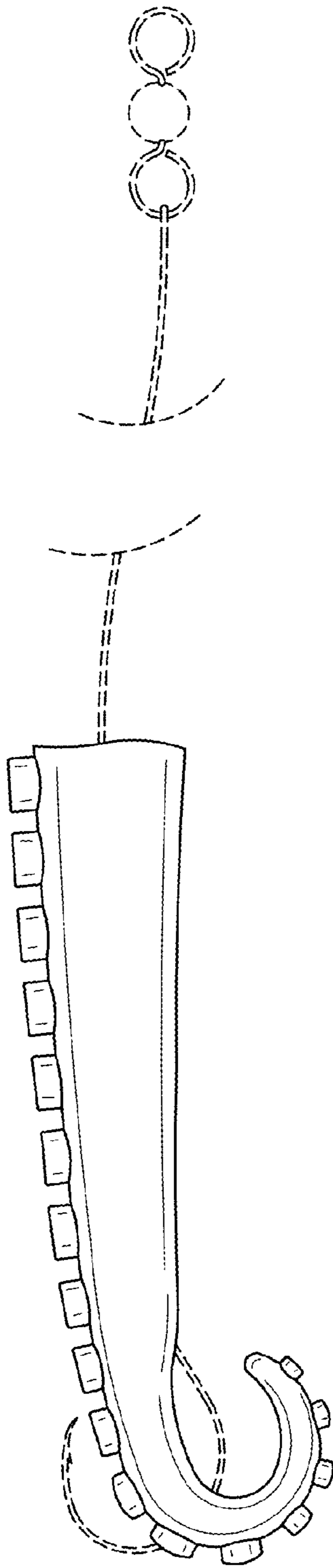


FIG. 2

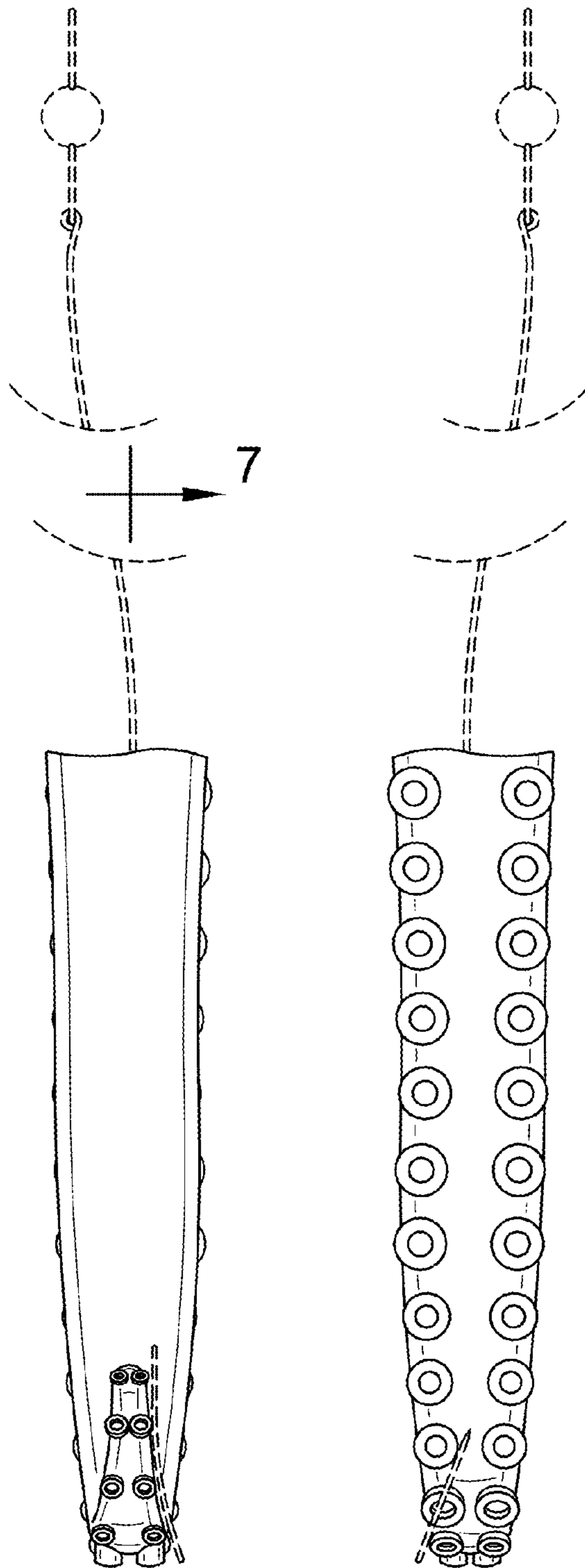


FIG. 3

FIG. 4

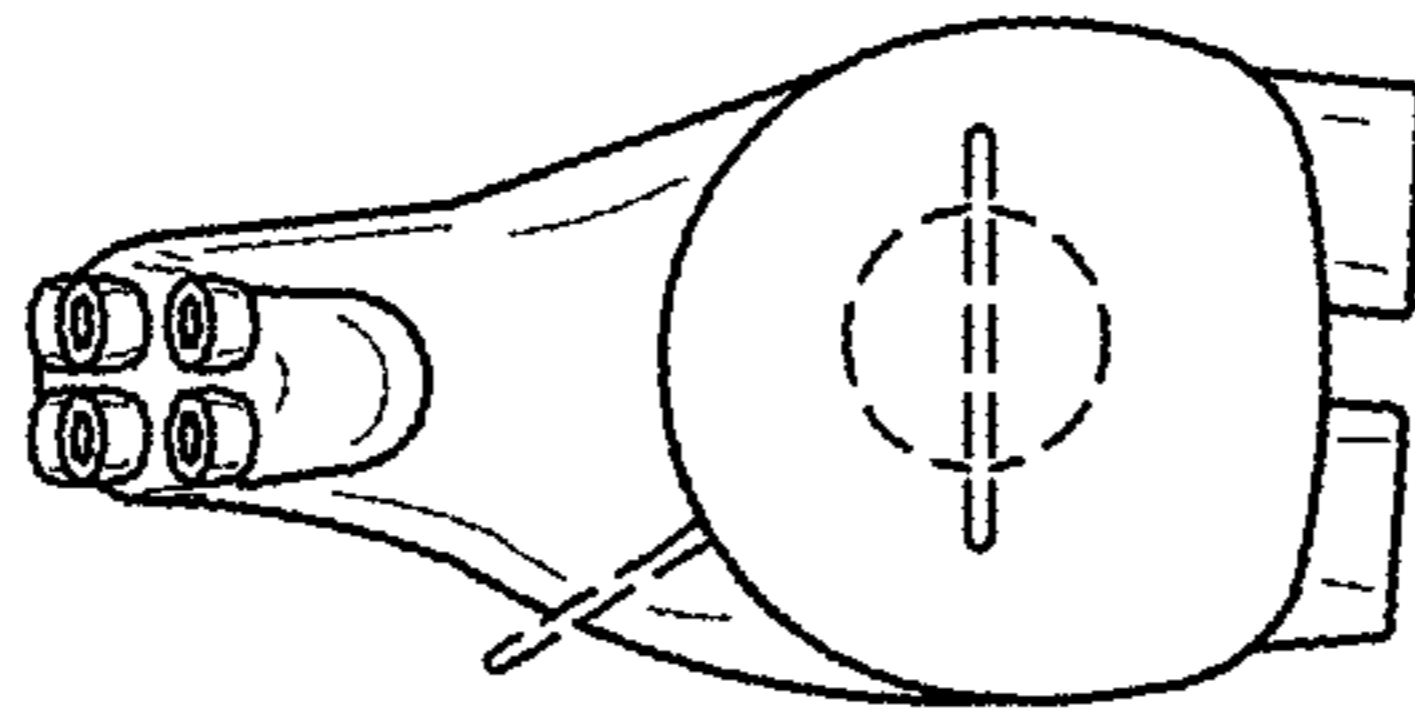


FIG. 5

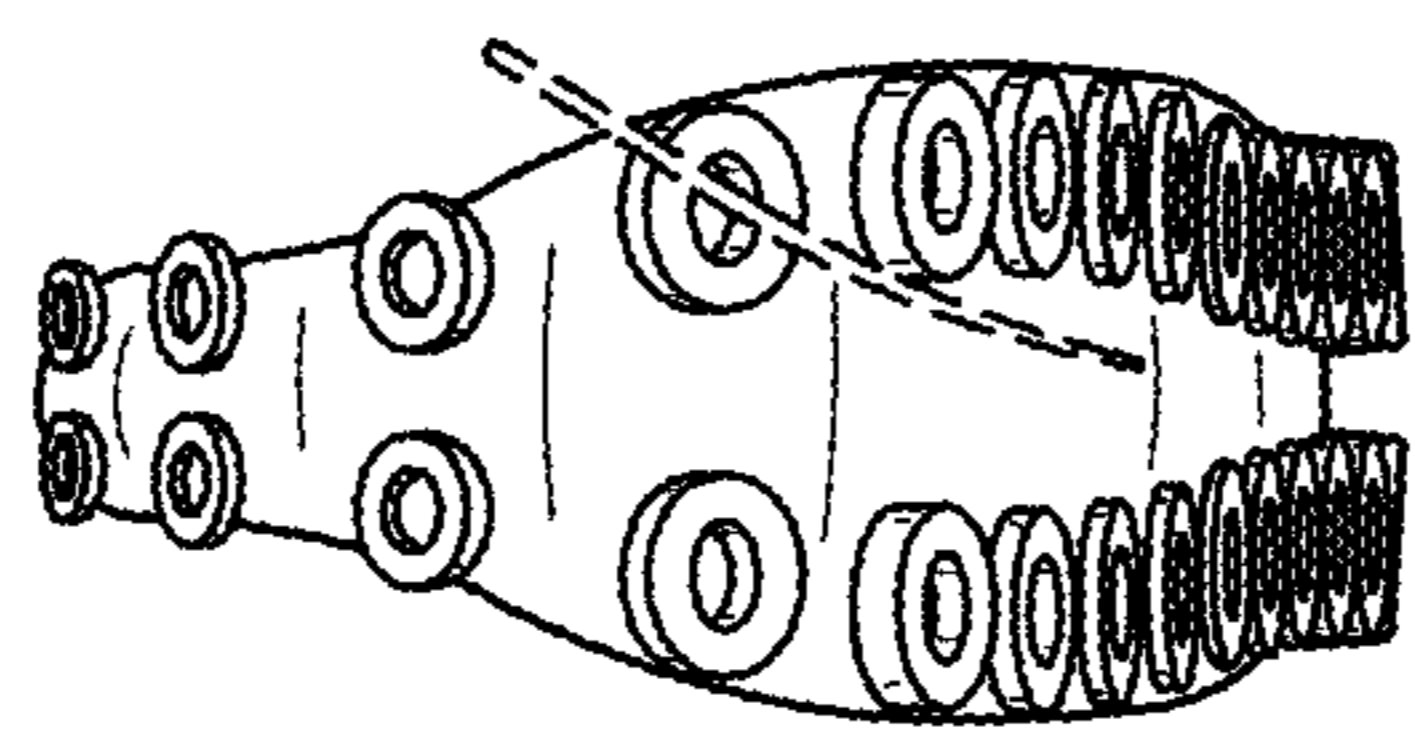


FIG. 6

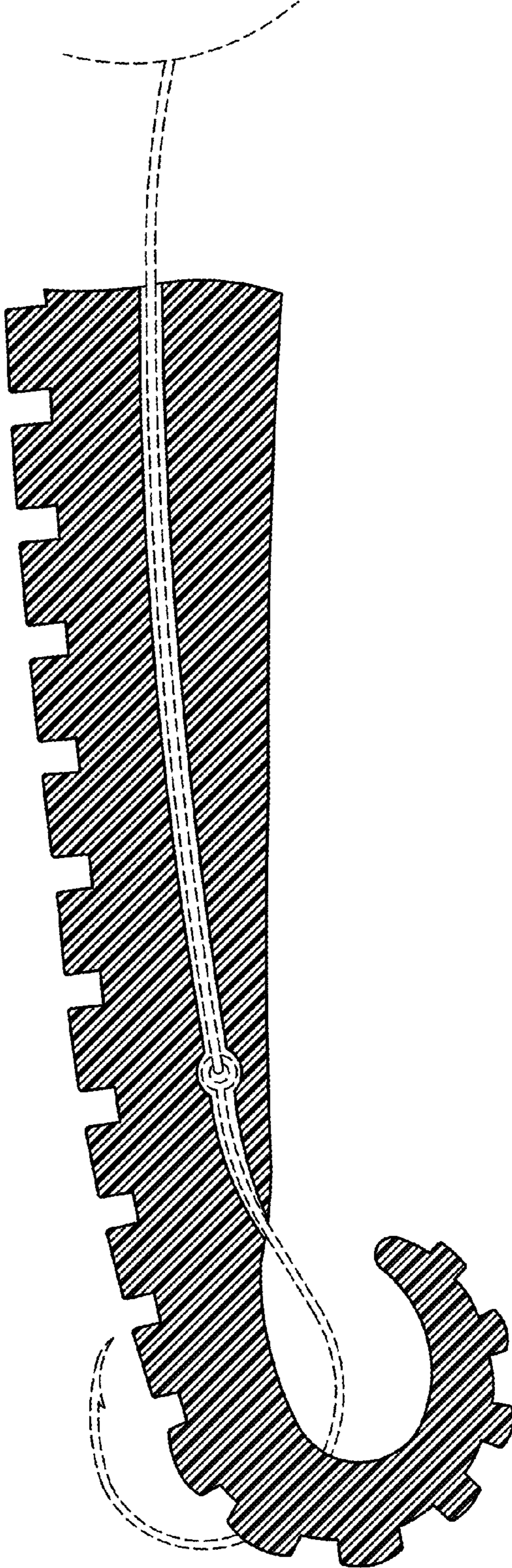


FIG. 7