



US00D767708S

(12) **United States Design Patent**  
**Stineman**

(10) **Patent No.:** **US D767,708 S**

(45) **Date of Patent:** **\*\* Sep. 27, 2016**

(54) **SEAR SPRING**

(71) Applicant: **Christopher R Stineman**, Houston, TX  
(US)

(72) Inventor: **Christopher R Stineman**, Houston, TX  
(US)

(\*\*) Term: **15 Years**

(21) Appl. No.: **29/544,945**

(22) Filed: **Nov. 8, 2015**

(51) **LOC (10) Cl.** ..... **22-01**

(52) **U.S. Cl.**  
USPC ..... **D22/108**

(58) **Field of Classification Search**  
USPC ..... D22/104, 108, 199; 42/69.03  
CPC ..... F41A 3/00  
See application file for complete search history.

(56) **References Cited**

**U.S. PATENT DOCUMENTS**

6,412,206 B1 \* 7/2002 Strayer ..... F41A 19/12  
42/69.03

**OTHER PUBLICATIONS**

EGW, Sear Spring 1911Colt, publication date unknown, [site visited Jul. 12, 2016], Available on the Internet URL:<<http://www.egwguns.com/1911-parts/sear-spring-1911-colt/>>.\*

\* cited by examiner

*Primary Examiner* — Susan Bennett Hattan

*Assistant Examiner* — S. Bryan Reinholdt, Jr.

(74) *Attorney, Agent, or Firm* — Shannon L Warren

(57) **CLAIM**

The ornamental design for a sear spring, as illustrated and shown.

**DESCRIPTION**

FIG. 1 illustrates a front first side perspective overview of an improved sear spring showing my new design;

FIG. 2 illustrates a front second side perspective overview thereof;

FIG. 3 illustrates a rear first side perspective overview thereof;

FIG. 4 illustrates a rear second side perspective overview thereof;

FIG. 5 illustrates a front lower first side perspective overview thereof;

FIG. 6 illustrates a front lower second side perspective overview thereof;

FIG. 7 illustrates a rear lower first side perspective overview thereof;

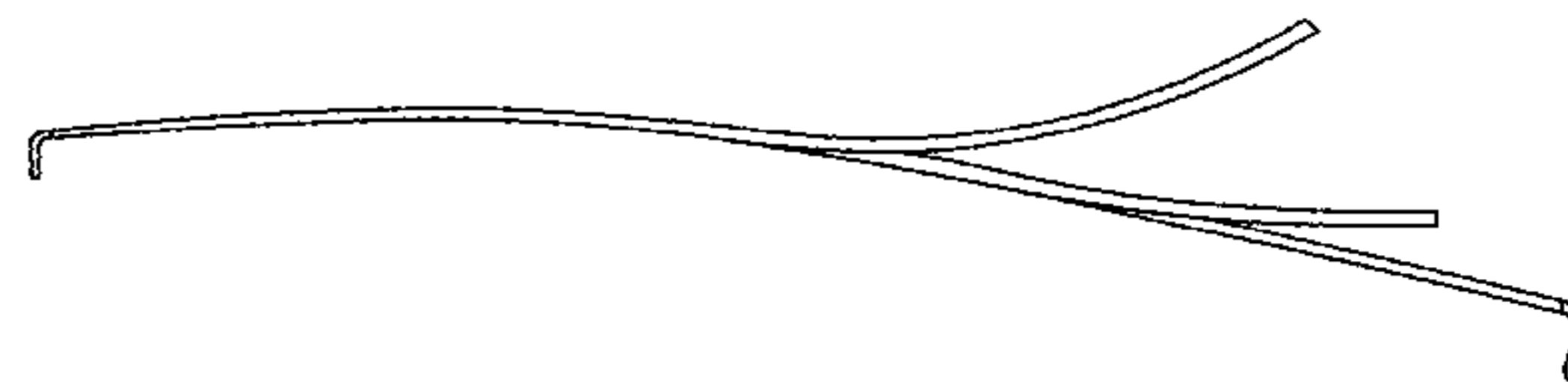
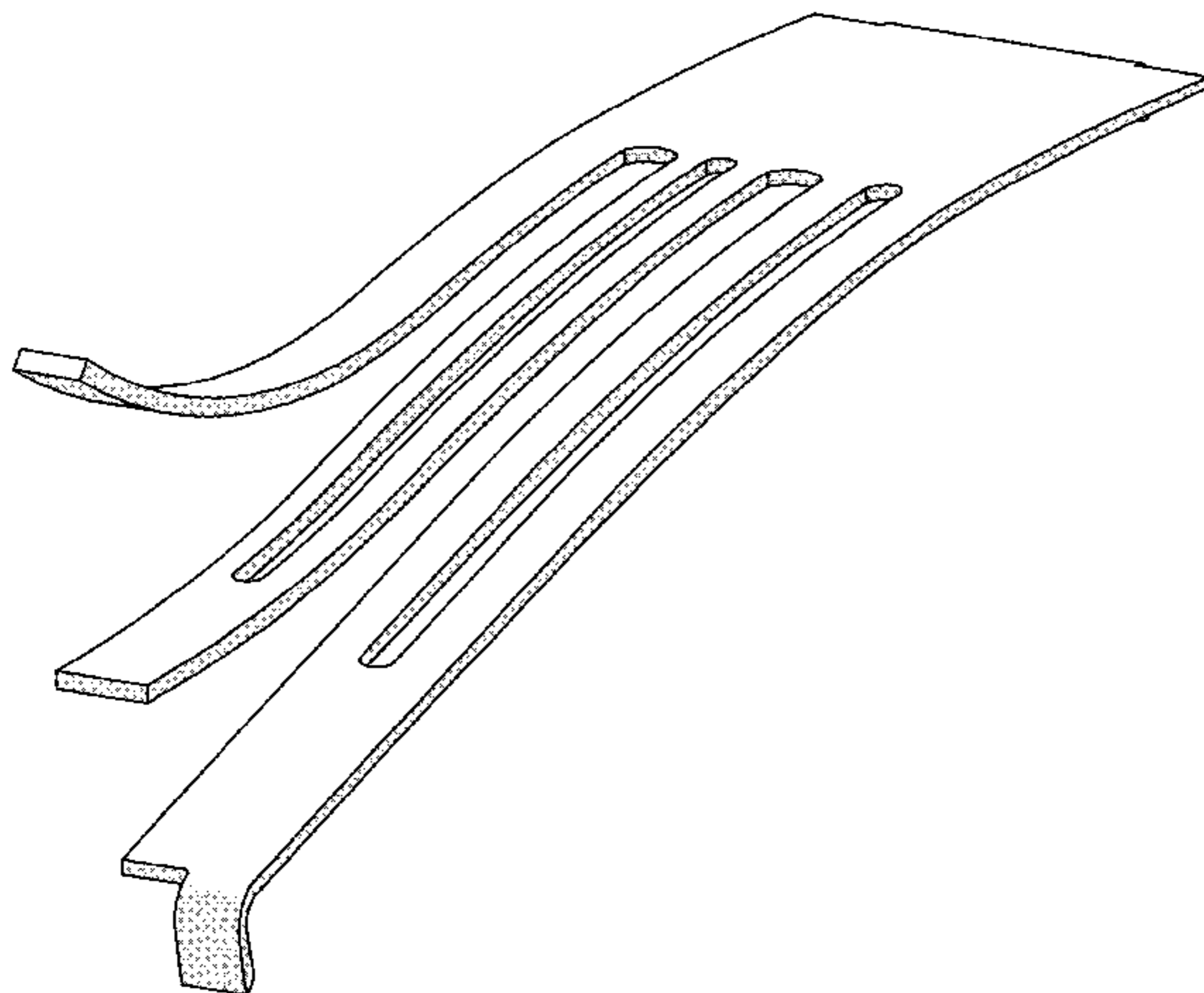
FIG. 8 illustrates a rear lower second side perspective overview thereof;

FIG. 9 illustrates an elevated top view thereof;

FIG. 10 illustrates an elevated front view thereof; and,

FIG. 11 illustrates an elevated bottom side view thereof.

**1 Claim, 9 Drawing Sheets**



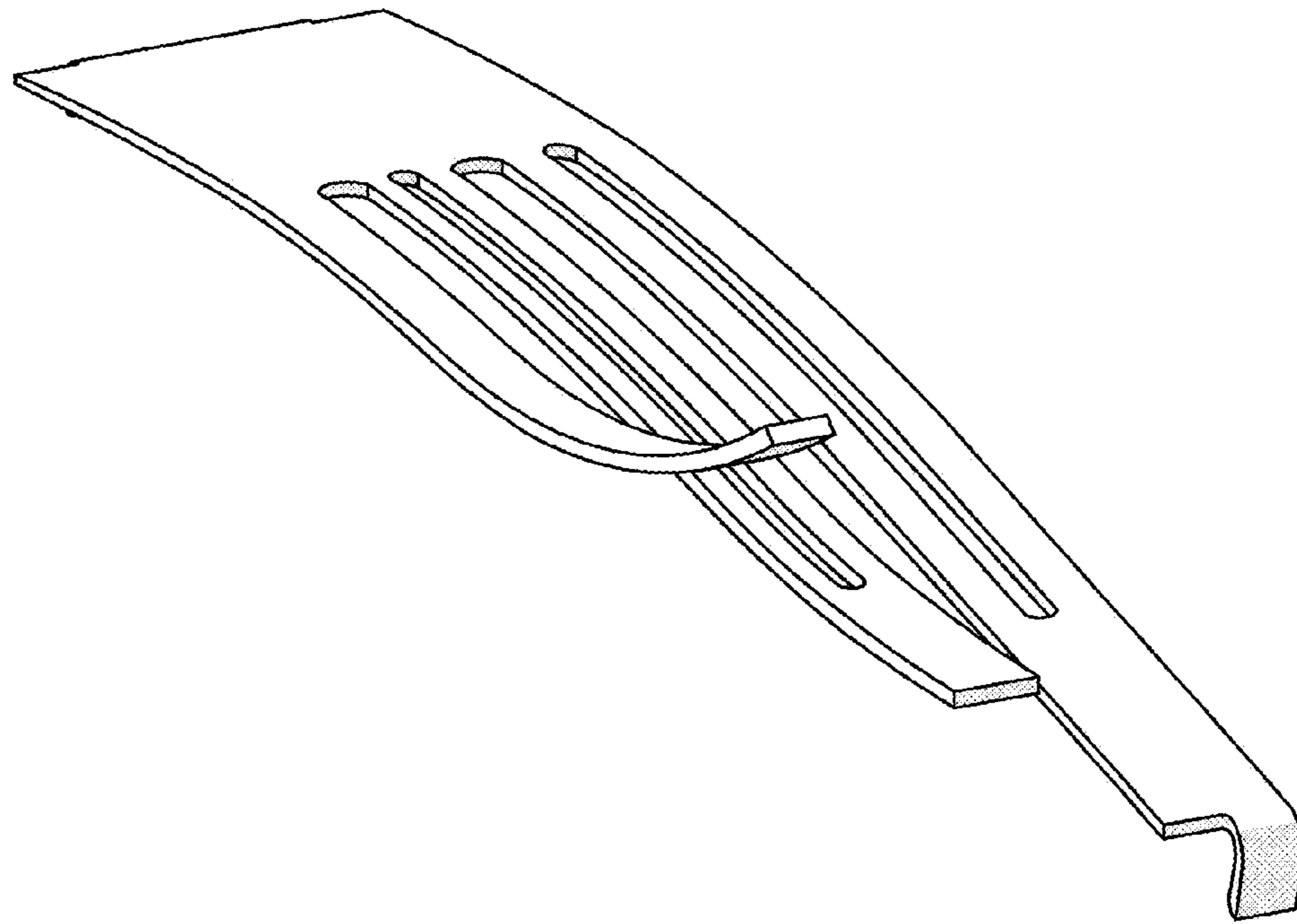


FIG. 1

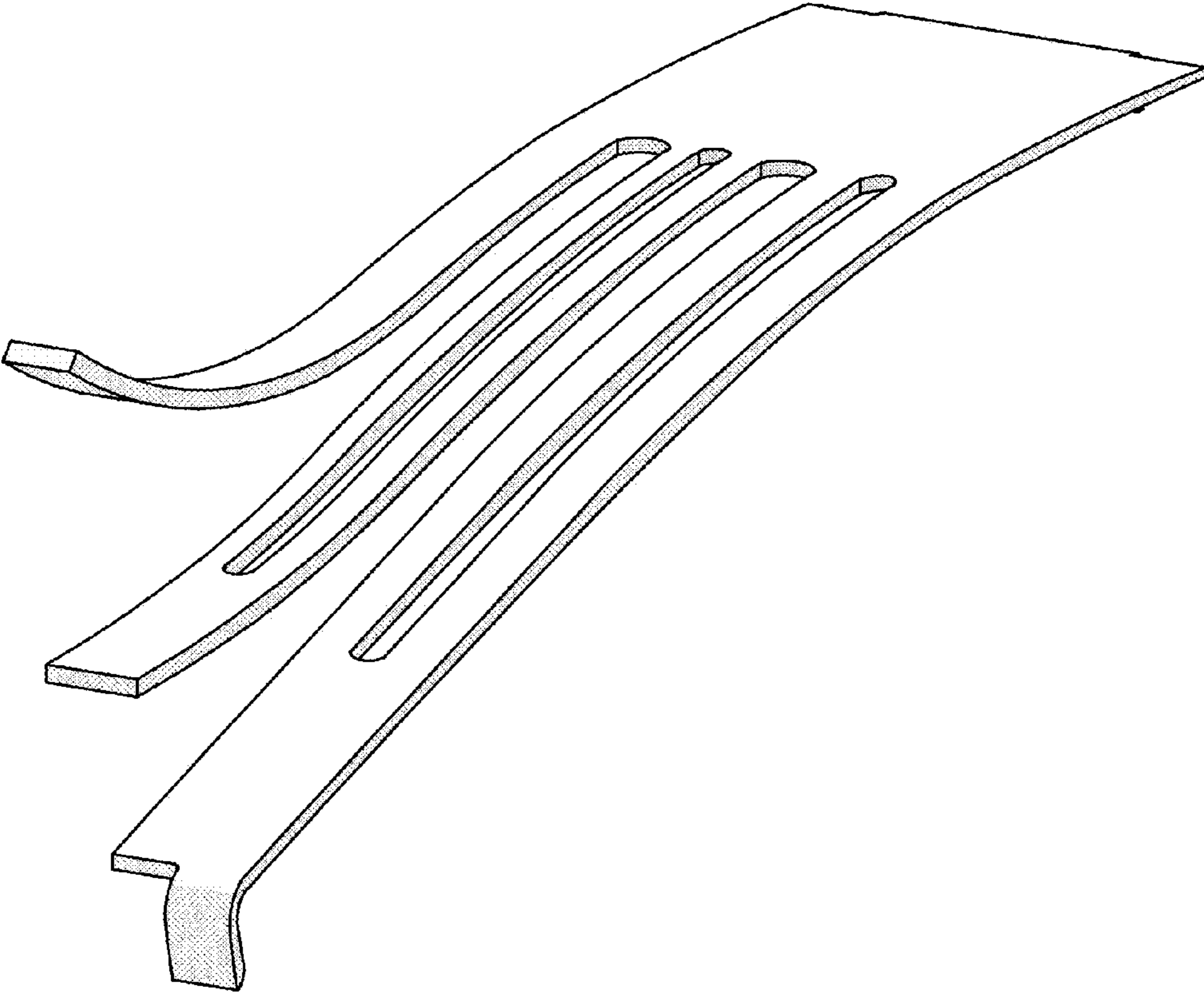


FIG. 2

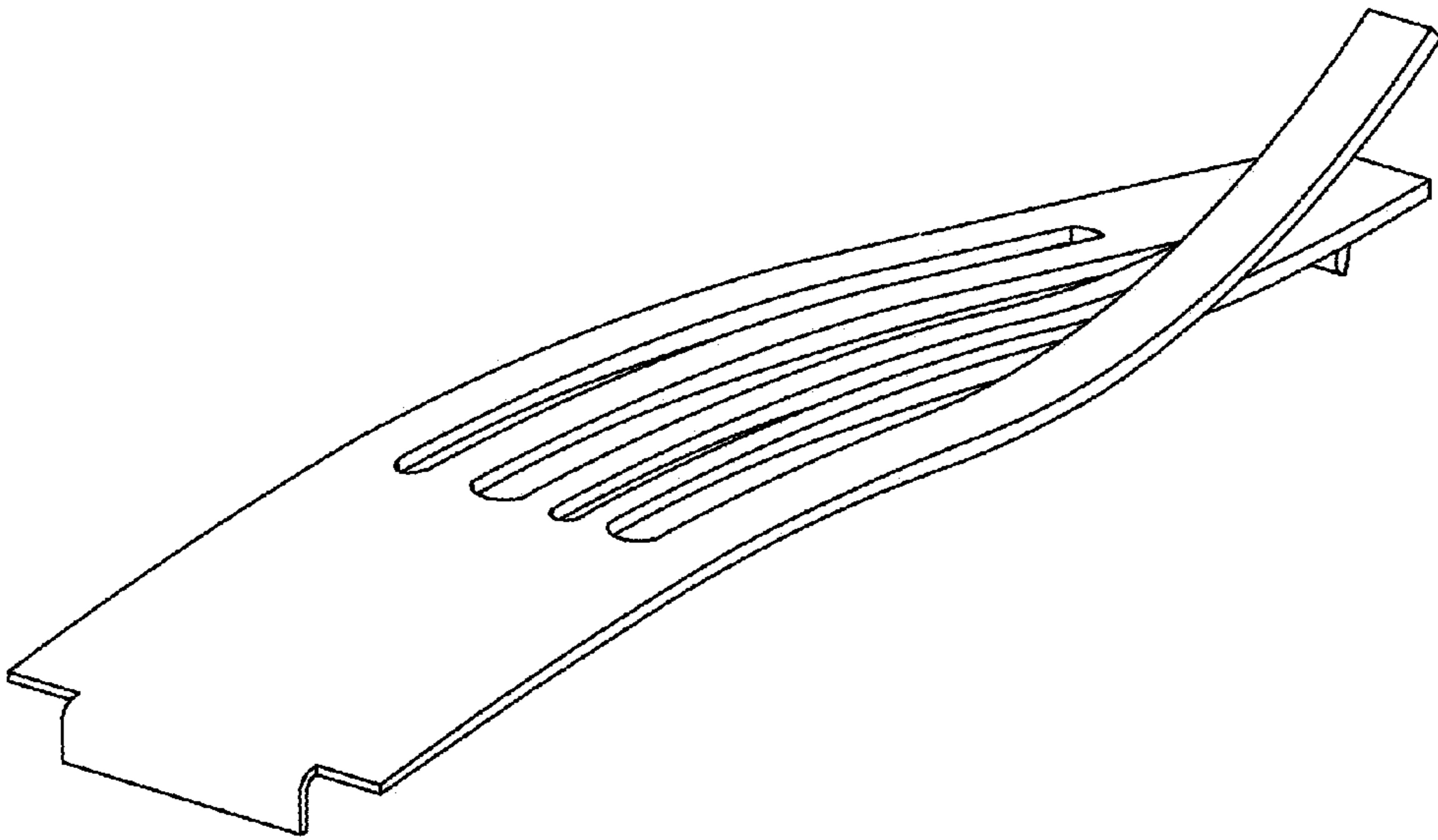


FIG. 3

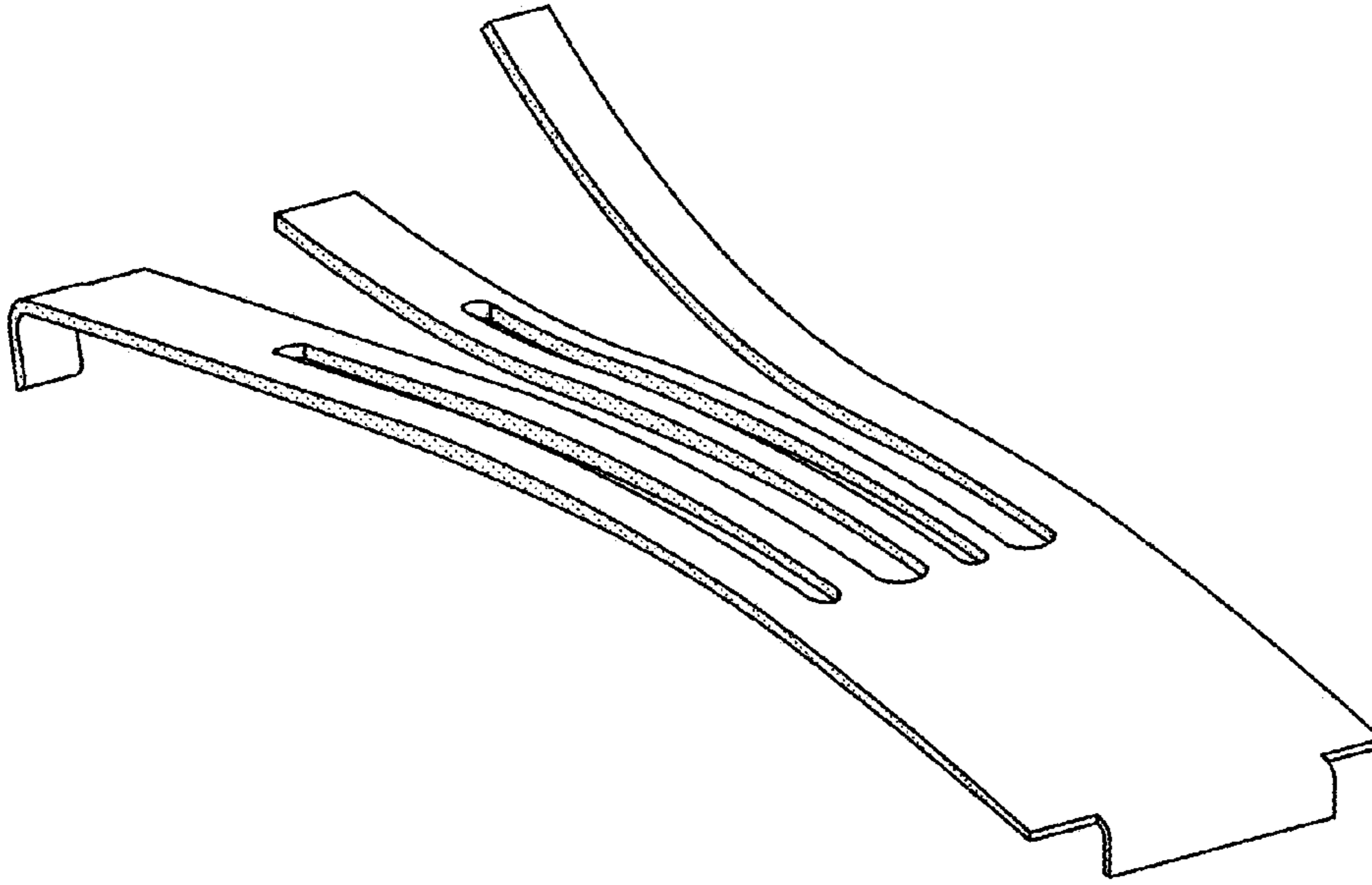


FIG. 4

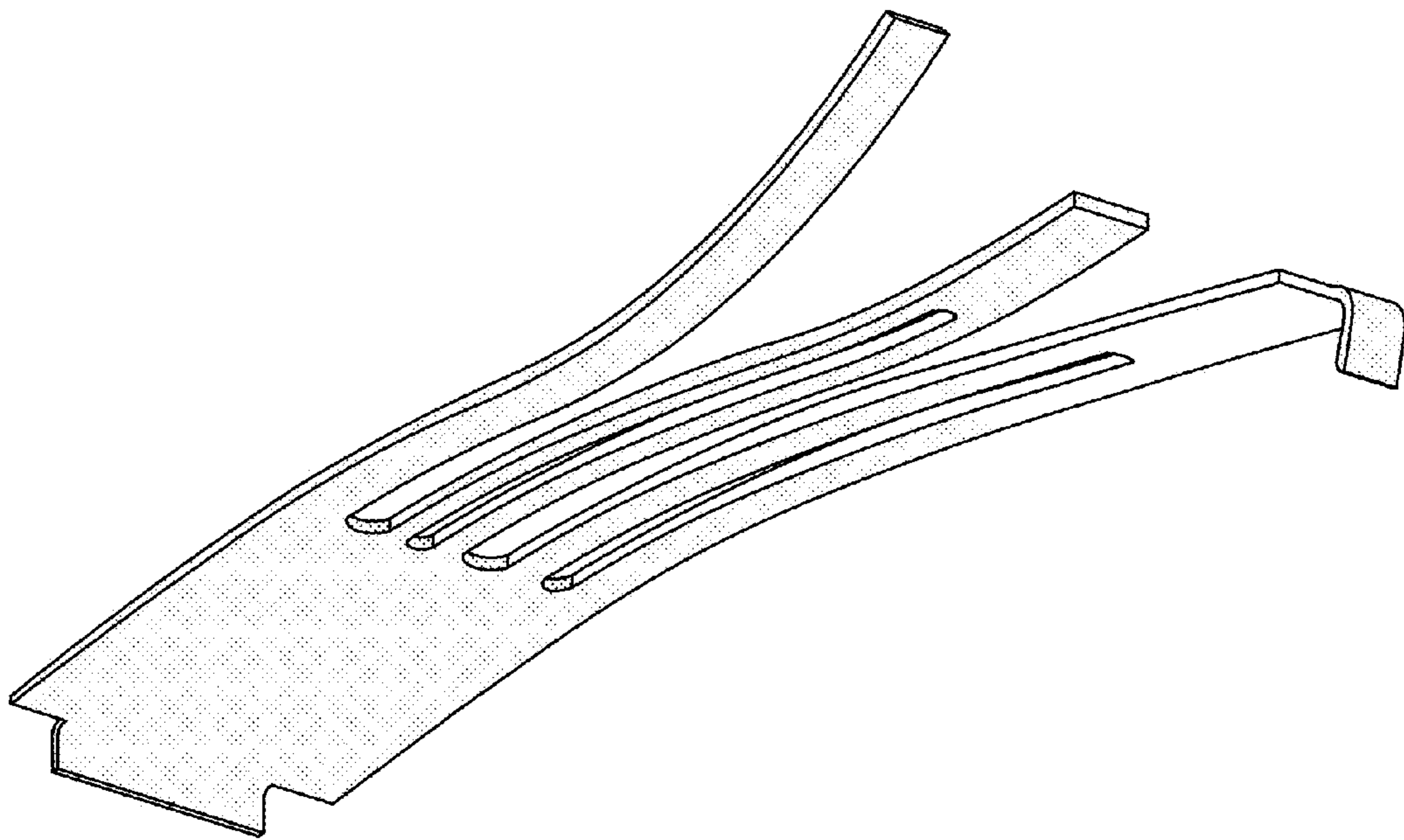


FIG. 5

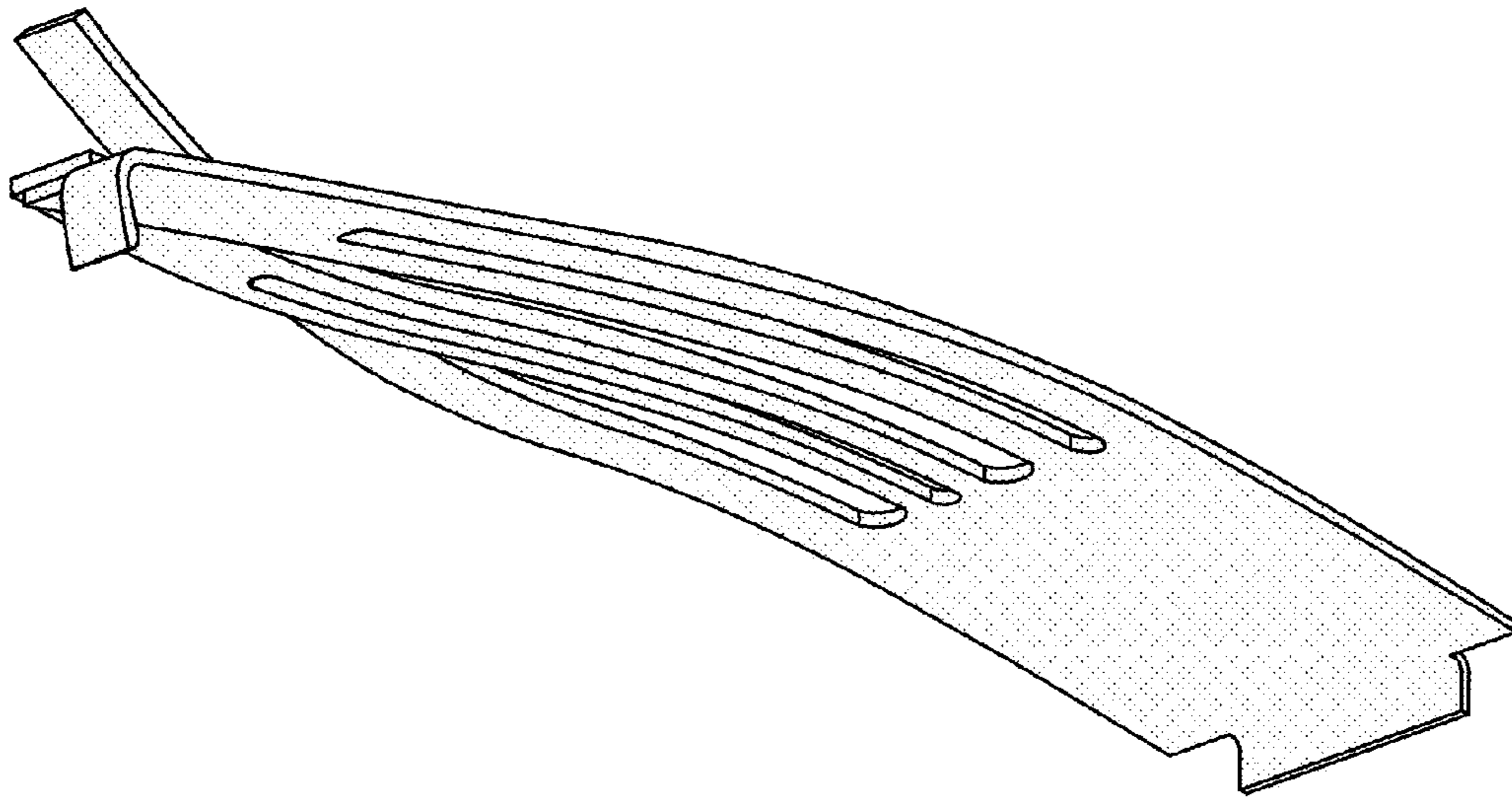


FIG. 6

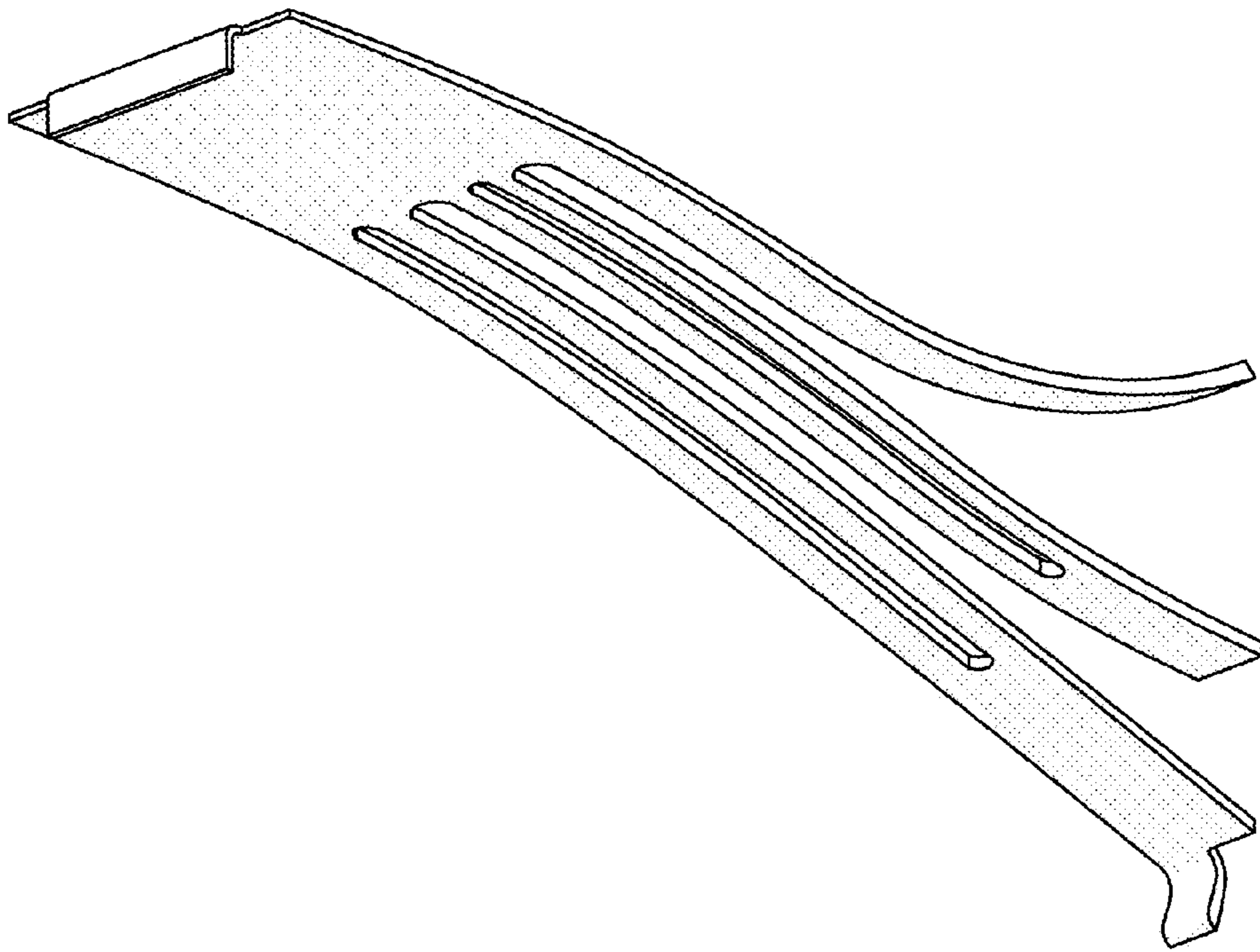


FIG. 7



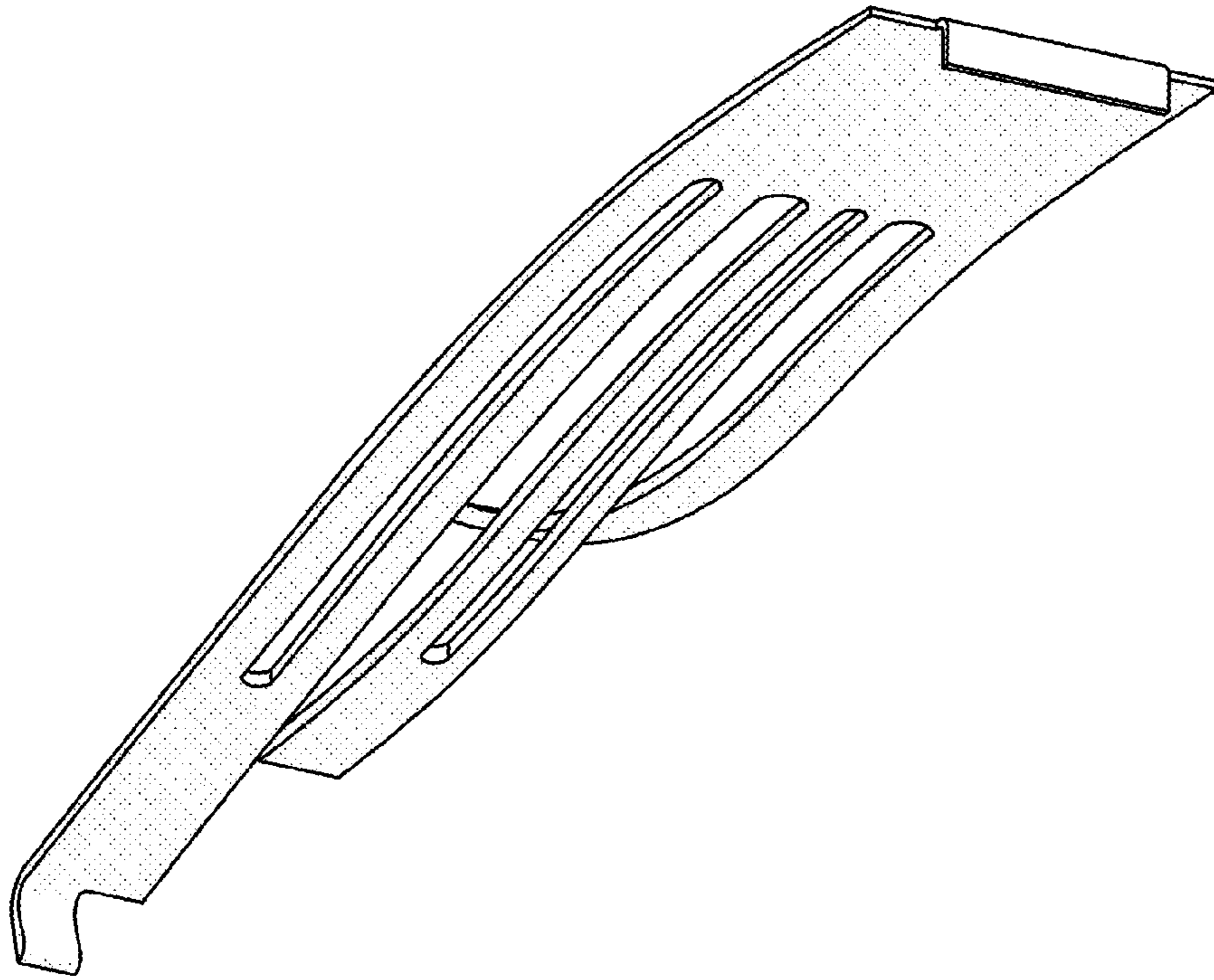


FIG. 8

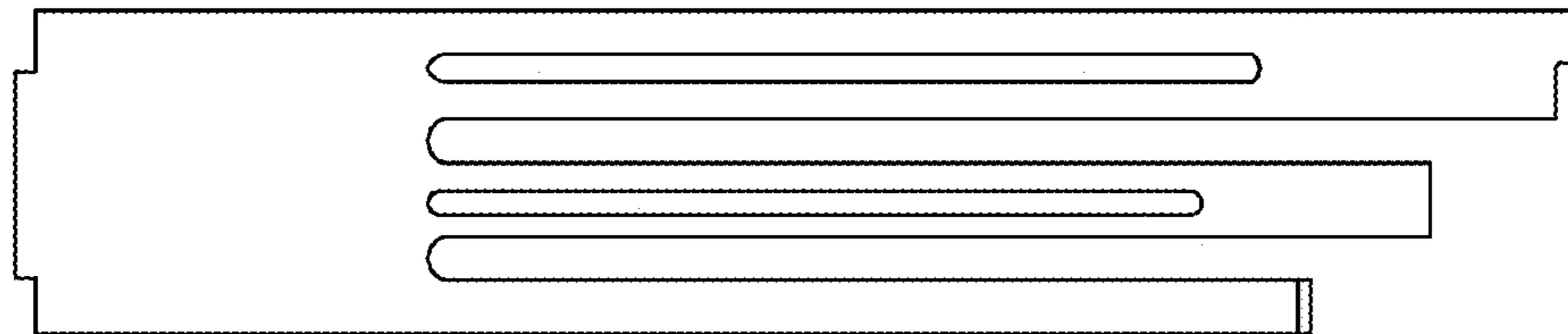


FIG. 9

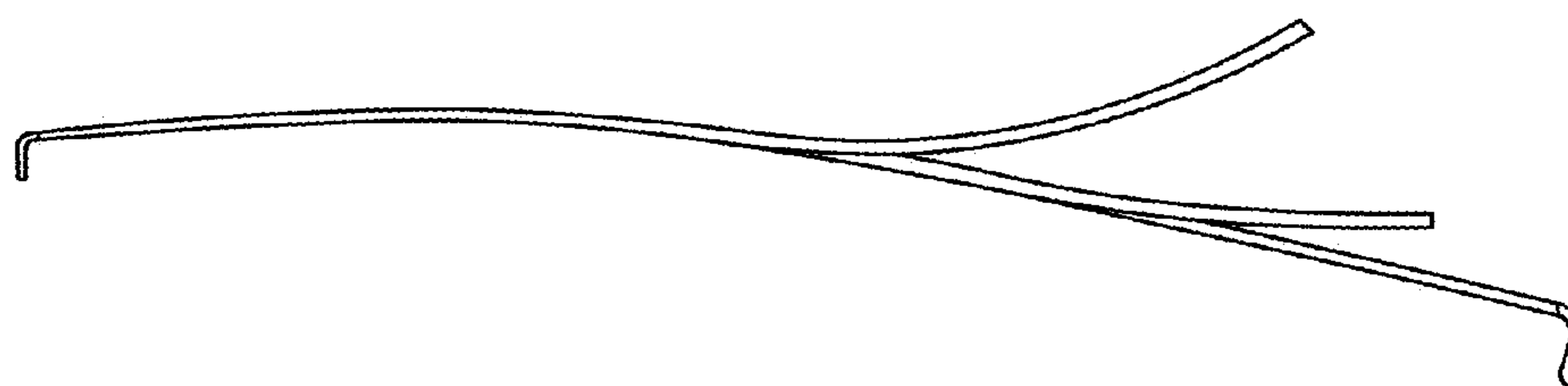


FIG. 10

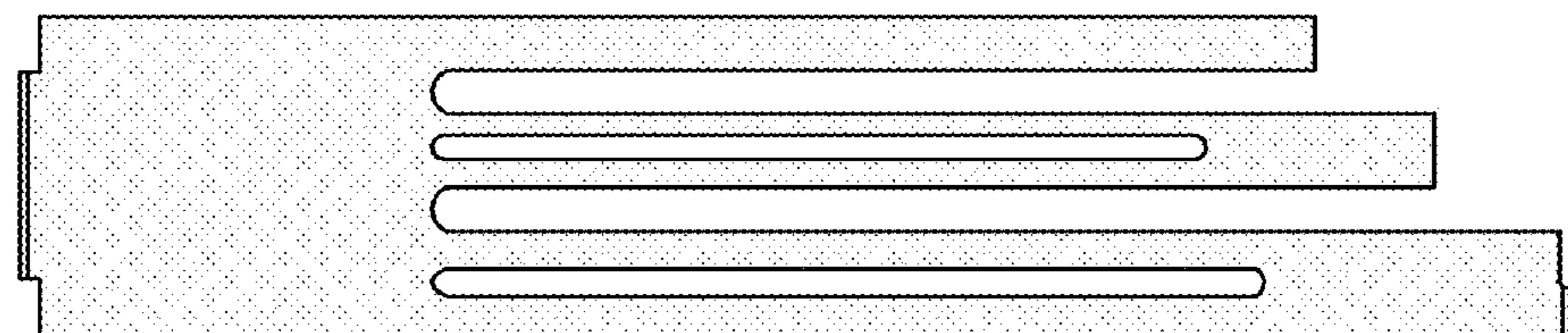


FIG. 11