



US00D767707S

(12) **United States Design Patent** (10) **Patent No.:** **US D767,707 S**
Huang (45) **Date of Patent:** **** Sep. 27, 2016**

(54) **LIGHTWEIGHT GAS BLOCK FOR A FIREARM**

(71) Applicant: **George Huang**, Henderson, NV (US)

(72) Inventor: **George Huang**, Henderson, NV (US)

(**) Term: **14 Years**

(21) Appl. No.: **29/522,670**

(22) Filed: **Apr. 1, 2015**

Related U.S. Application Data

(63) Continuation of application No. 29/498,215, filed on Aug. 1, 2014, now Pat. No. Des. 742,990, and a continuation of application No. 14/449,178, filed on Aug. 1, 2014.

(51) **LOC (10) Cl.** **22-01**

(52) **U.S. Cl.**
USPC **D22/108**

(58) **Field of Classification Search**
USPC D22/108
CPC F41C 23/00; F41C 27/00; F41C 27/06;
F41C 23/10; F41C 23/14; F41C 23/16;
F41C 23/18; F41A 5/18; F41A 5/24; F41A
21/28

See application file for complete search history.

(56) **References Cited**

U.S. PATENT DOCUMENTS

D742,990 S * 11/2015 Huang D22/108

* cited by examiner

Primary Examiner — Michael A Pratt

(74) *Attorney, Agent, or Firm* — Shaddock Law Group, PC

(57) **CLAIM**

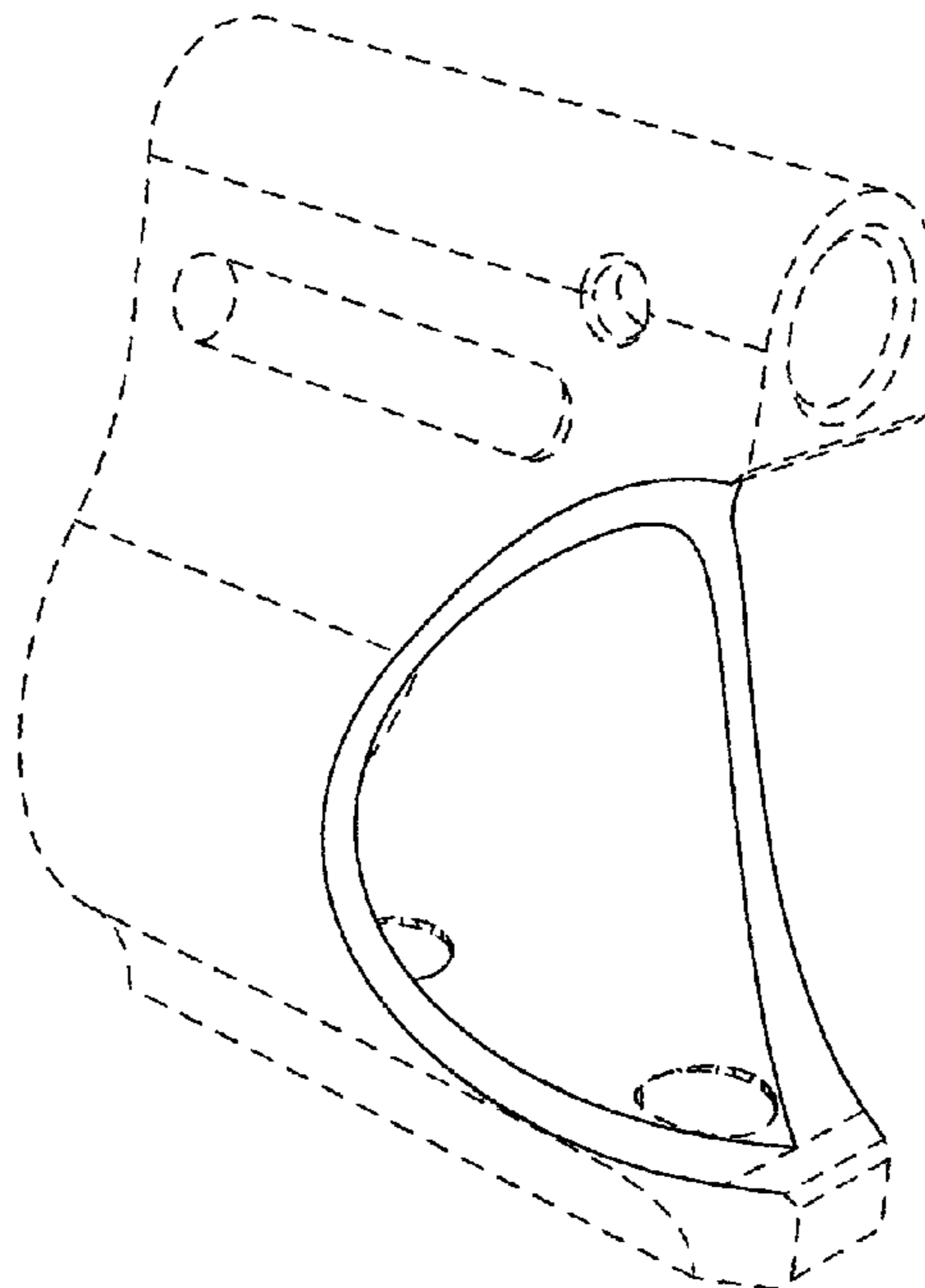
The ornamental design for a lightweight gas block for a firearm, as shown and described.

DESCRIPTION

FIG. 1 is a left, front perspective view of a lightweight gas block for a firearm, showing my new design; FIG. 2 is a right, front perspective view thereof; FIG. 3 is a left, bottom perspective view thereof; FIG. 4 is a left, top perspective view thereof; FIG. 5 is a front view thereof; FIG. 6 is a rear view thereof; FIG. 7 is a top view thereof; FIG. 8 is a bottom view thereof; FIG. 9 is a right side view thereof; and, FIG. 10 is a left side perspective view thereof.

The broken lines shown throughout the various figures depict additional structures that form no part of the claimed design.

1 Claim, 5 Drawing Sheets



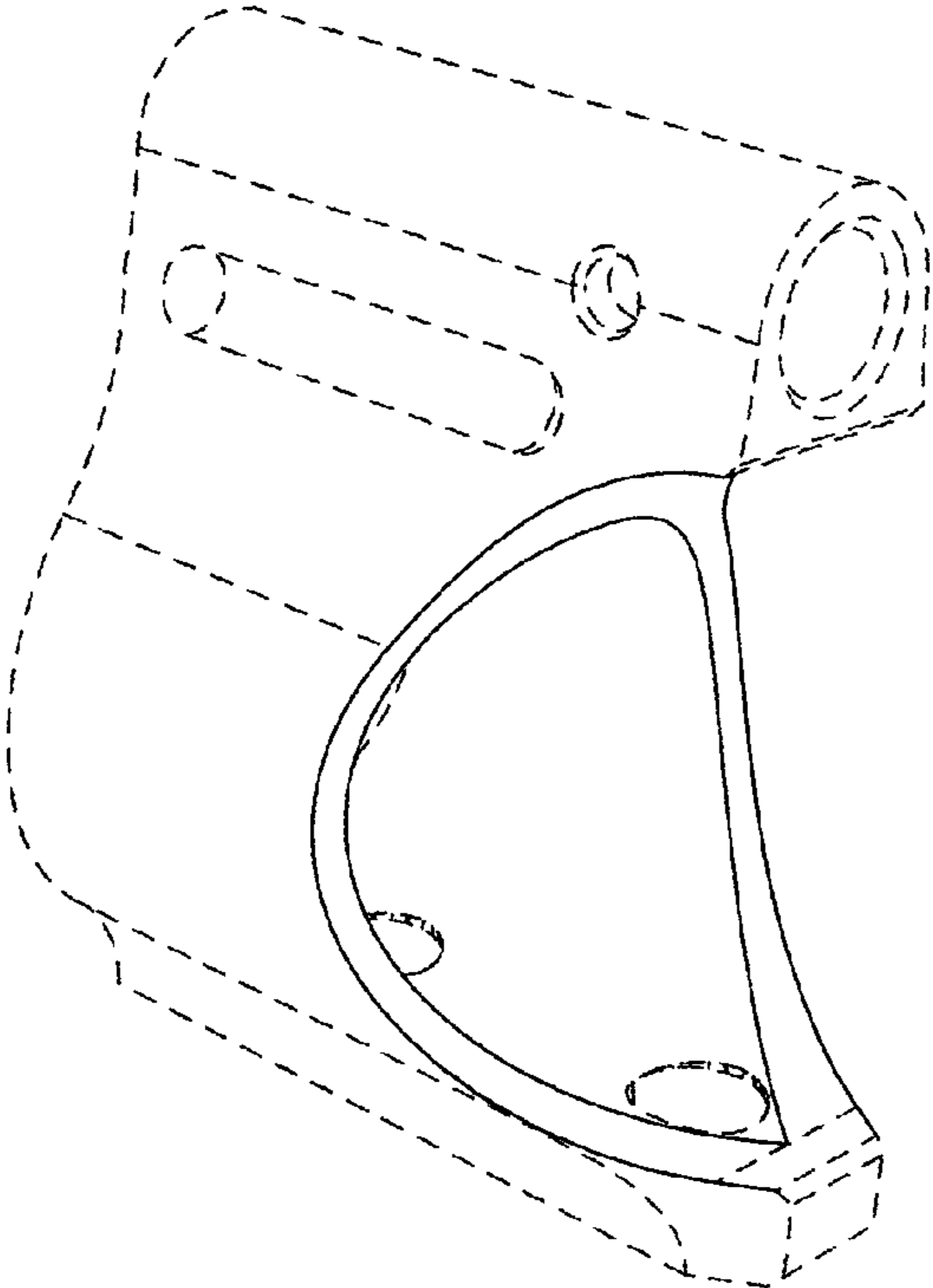


FIG. 1

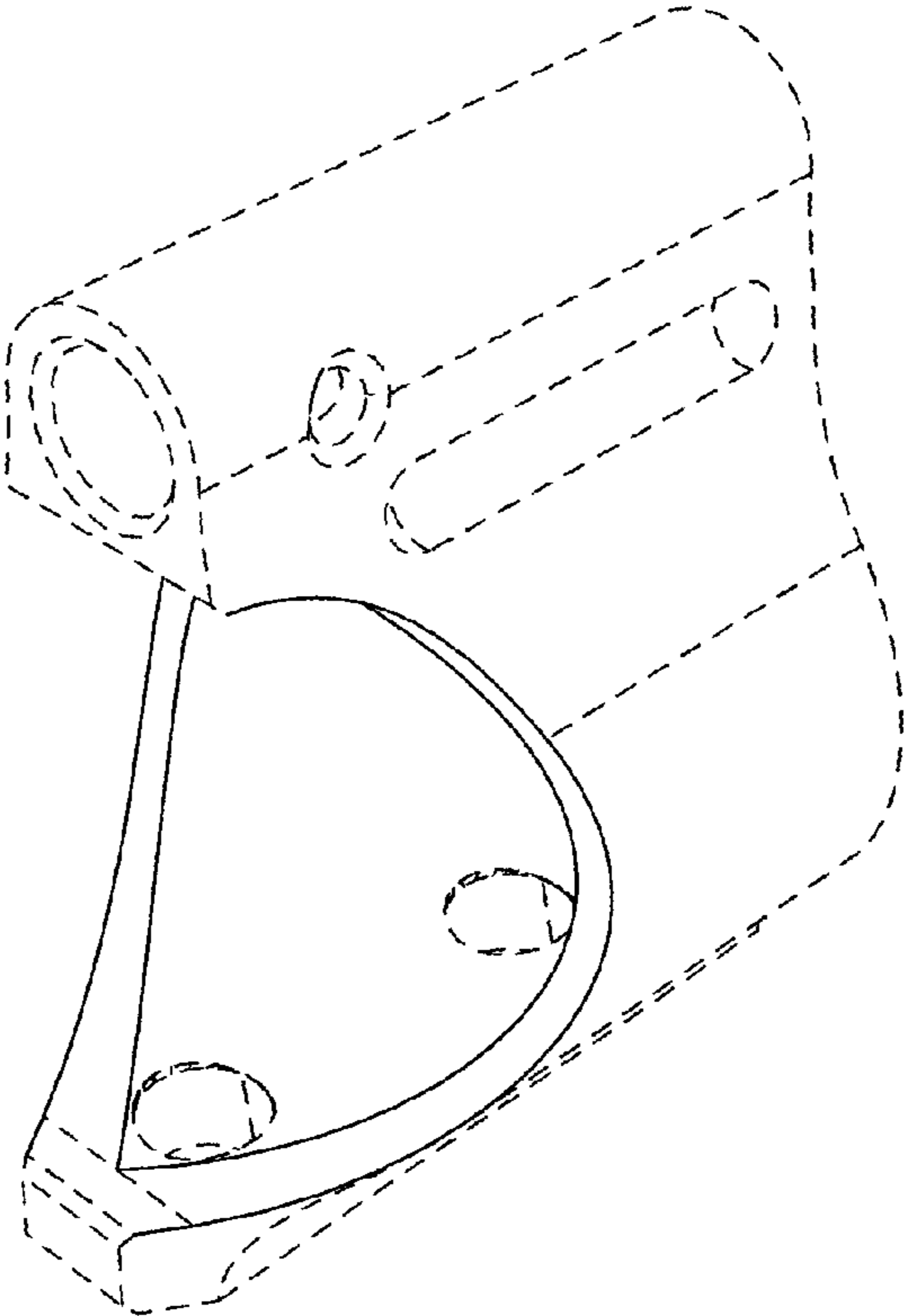


FIG. 2

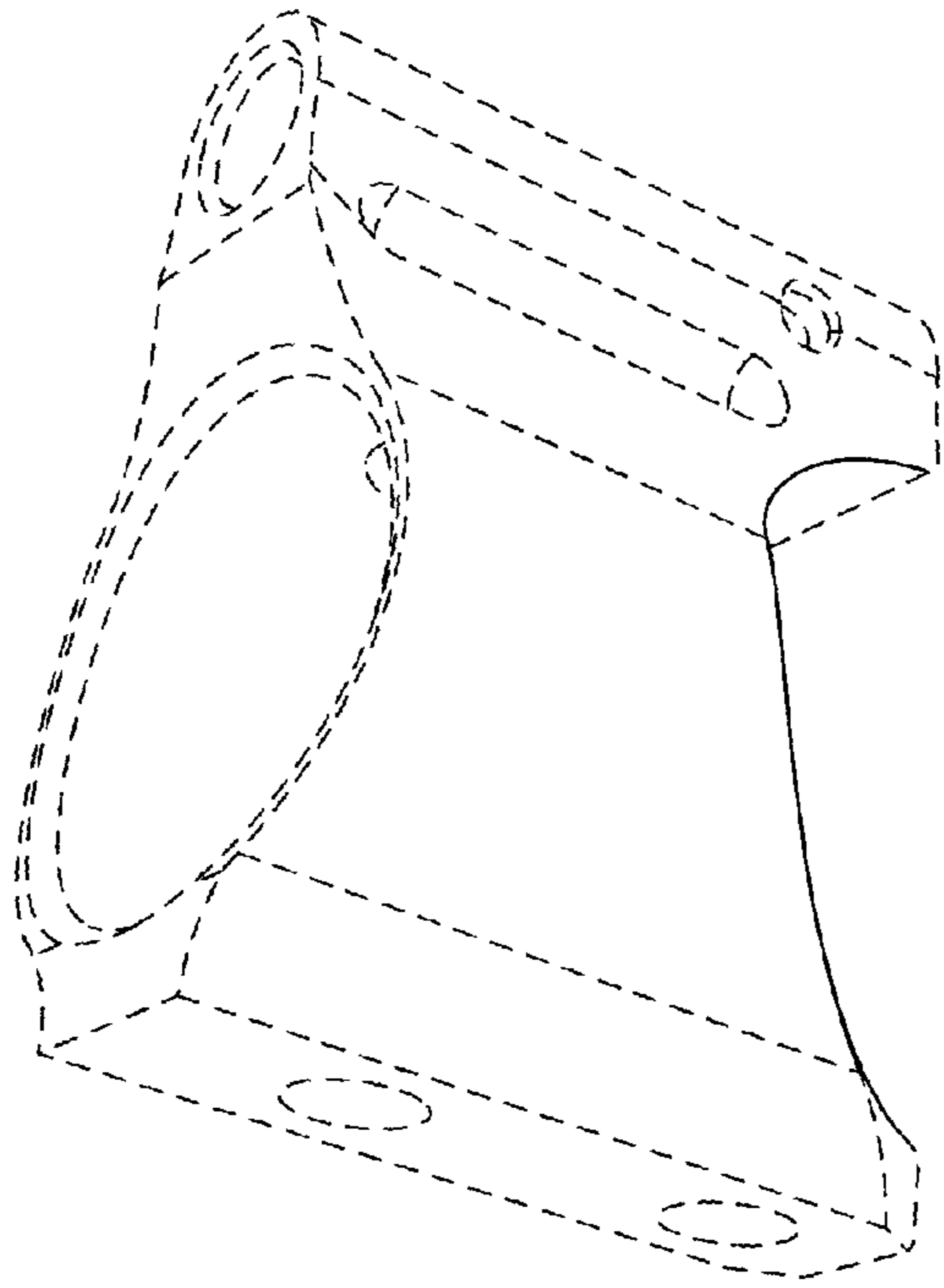


FIG. 3

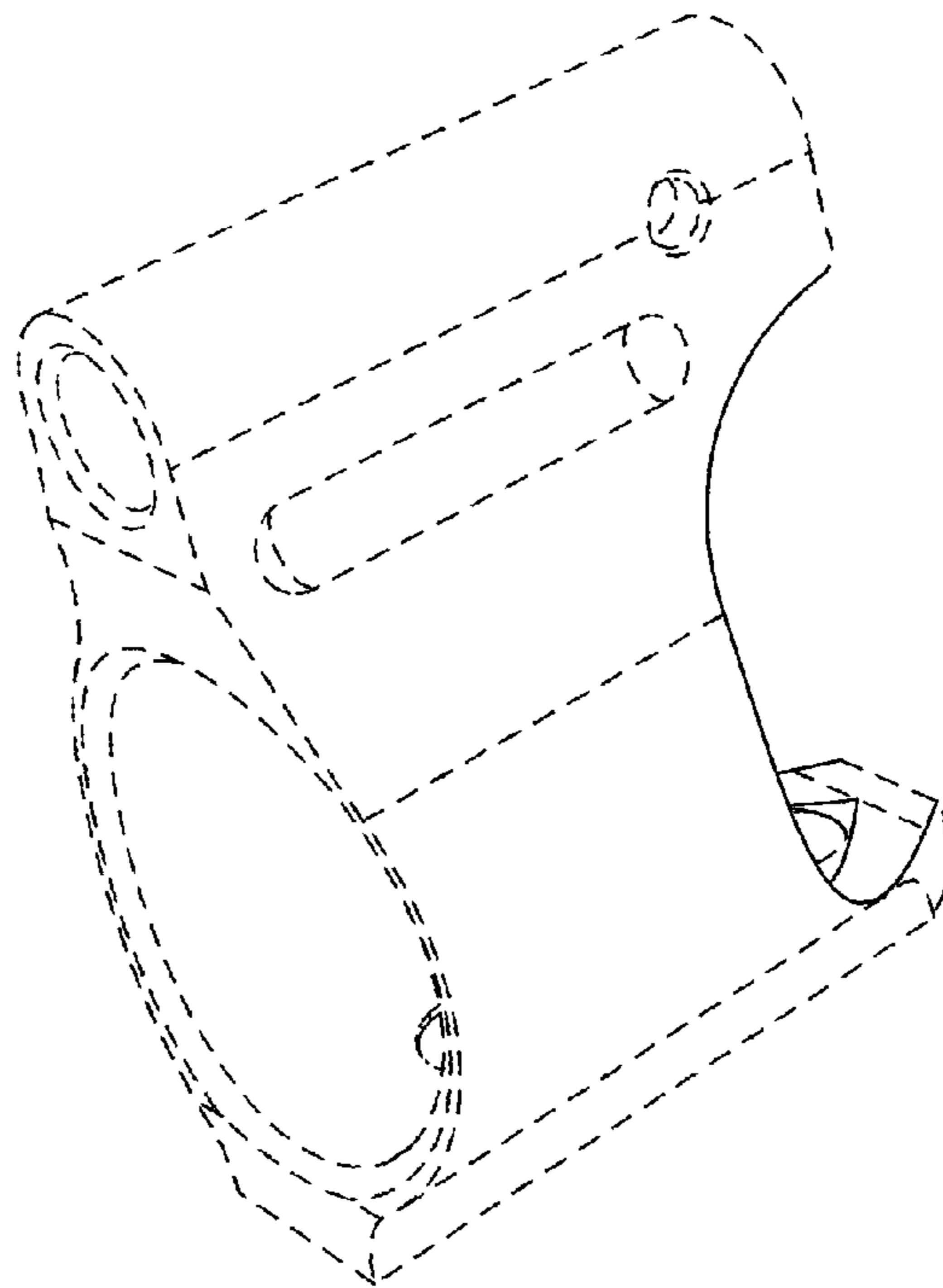


FIG. 4

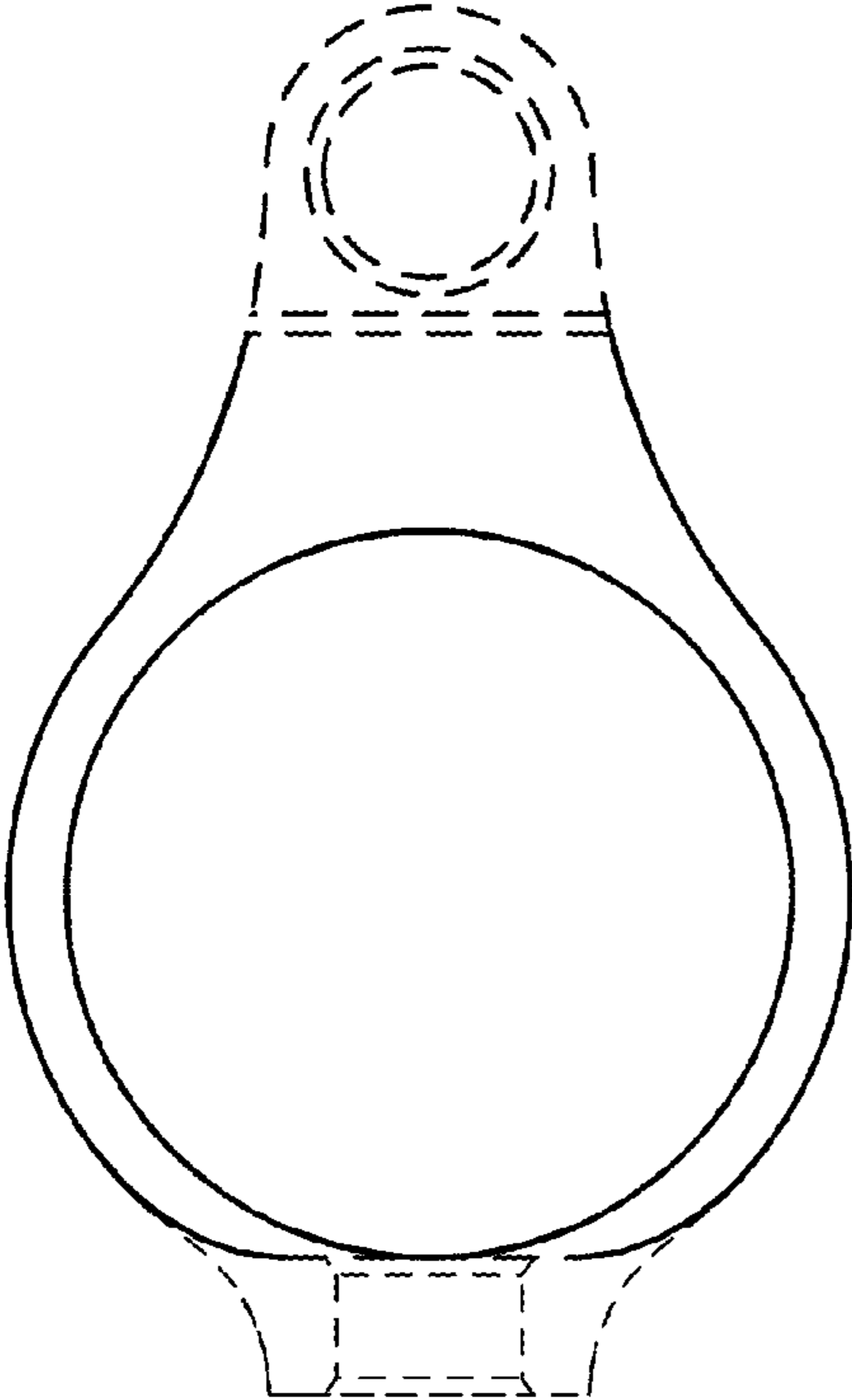


FIG. 5

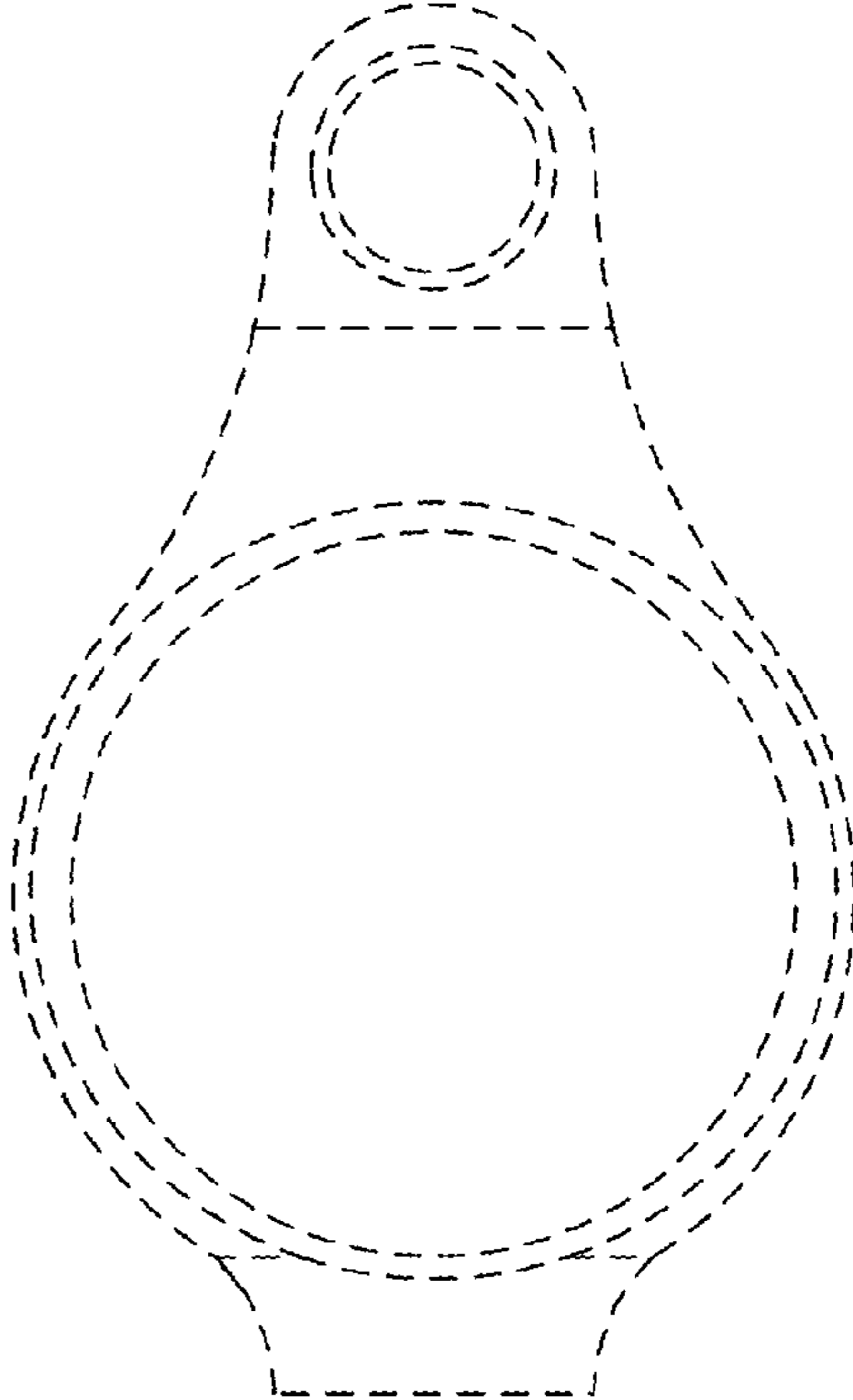


FIG. 6

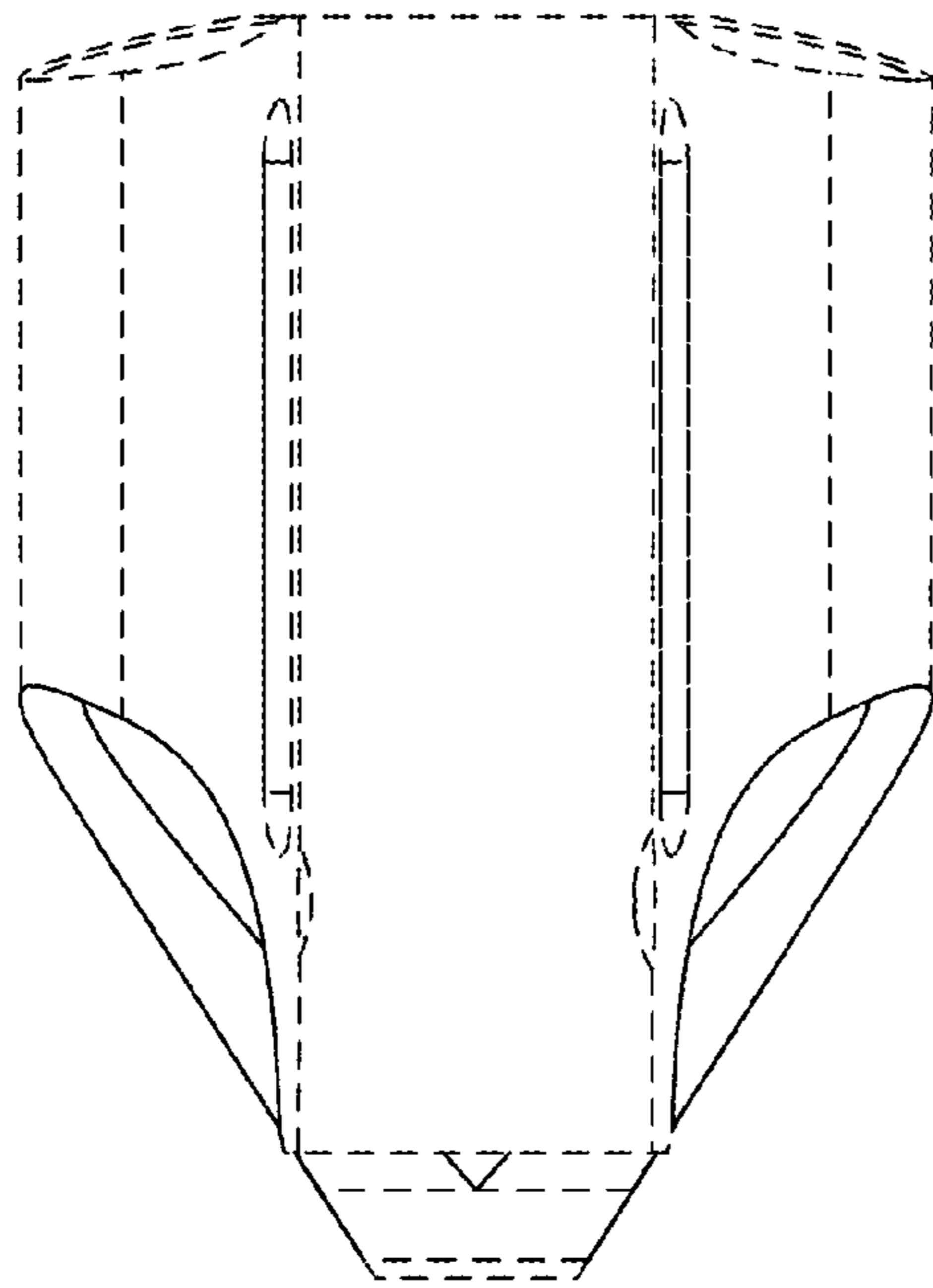


FIG. 7

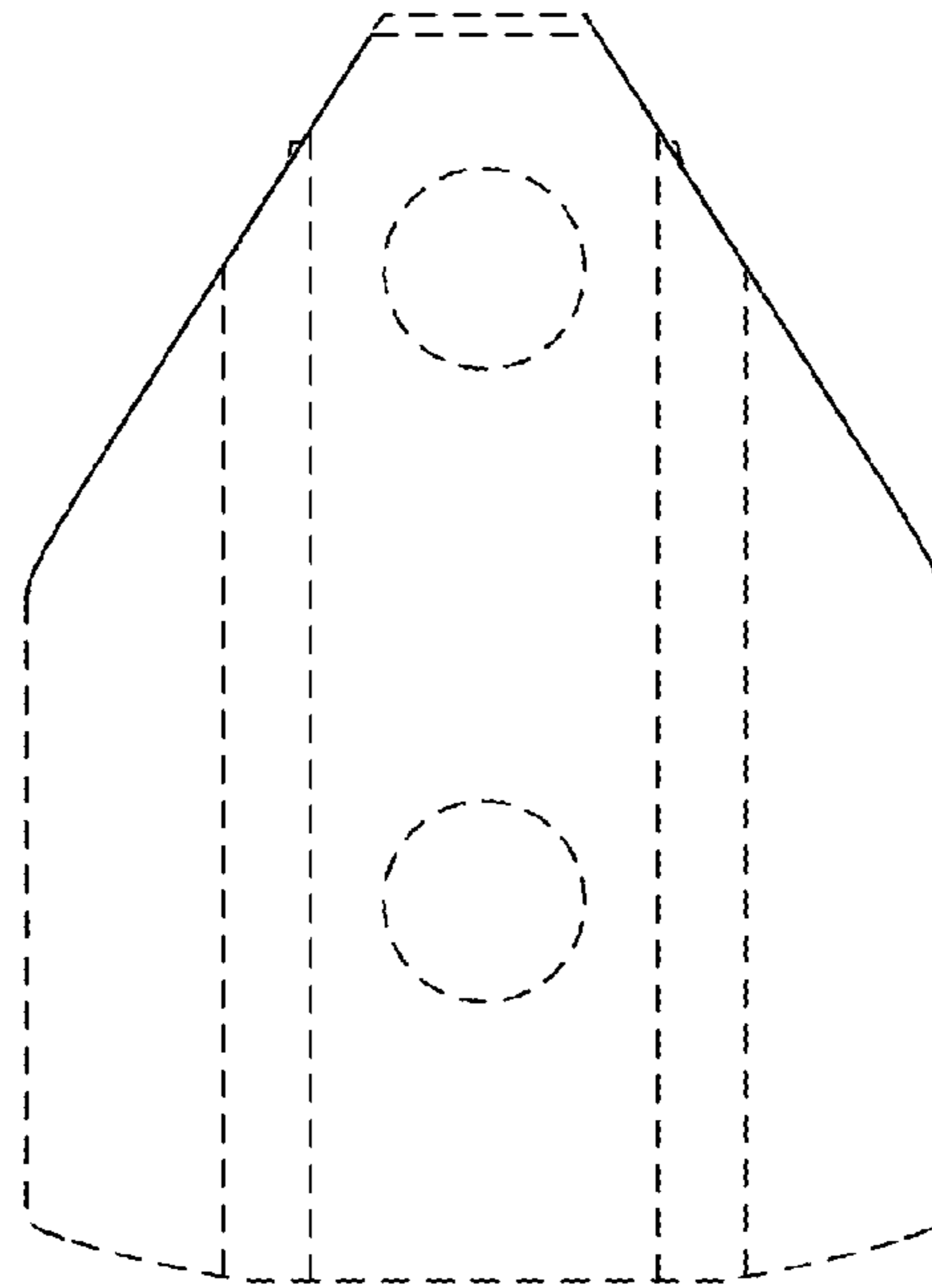


FIG. 8

FIG. 9

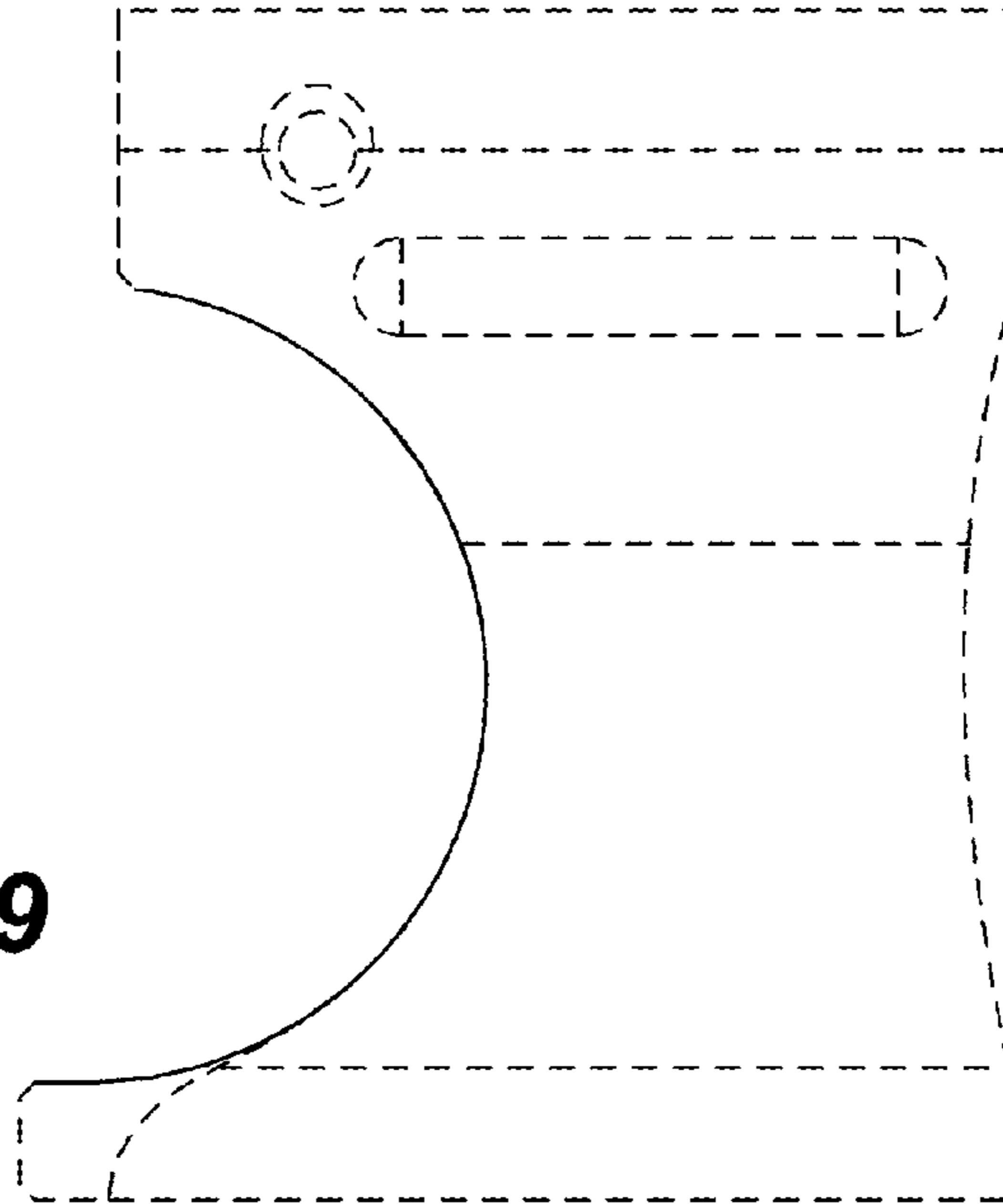


FIG. 10

