



US00D767702S

(12) **United States Design Patent**  
**Asatsuma**

(10) **Patent No.:** **US D767,702 S**

(45) **Date of Patent:** **\*\* Sep. 27, 2016**

(54) **GOLF CLUB HEAD**  
(71) Applicant: **DUNLOP SPORTS CO. LTD.**,  
Kobe-shi, Hyogo (JP)  
(72) Inventor: **Hajime Asatsuma**, Kobe (JP)  
(73) Assignee: **DUNLOP SPORTS CO. LTD.**,  
Kobe-Shi (JP)  
(\*\*) Term: **15 Years**

D534,229 S \* 12/2006 Barez ..... D21/752  
D534,980 S \* 1/2007 Kohno ..... D21/759  
7,273,423 B2 \* 9/2007 Imamoto ..... A63B 53/0466  
473/332  
D554,216 S \* 10/2007 Vrska ..... D21/759  
D554,219 S \* 10/2007 Vrska ..... D21/759  
D562,422 S \* 2/2008 Roberts ..... D21/759  
D572,785 S \* 7/2008 Chen ..... D21/752  
D573,676 S \* 7/2008 Chen ..... D21/752  
D597,619 S \* 8/2009 Yi ..... D21/752  
D597,621 S \* 8/2009 Taylor ..... D21/752  
7,572,193 B2 \* 8/2009 Yokota ..... A63B 53/0466  
473/328  
D675,272 S \* 1/2013 Greensmith ..... D21/759

(21) Appl. No.: **29/531,978**

\* cited by examiner

(22) Filed: **Jun. 30, 2015**

*Primary Examiner* — Mitchell Siegel

(30) **Foreign Application Priority Data**

(74) *Attorney, Agent, or Firm* — Birch, Stewart, Kolasch & Birch, LLP

Mar. 30, 2015 (JP) ..... 2015-006818

(51) **LOC (10) Cl.** ..... **21-02**

(52) **U.S. Cl.**  
USPC ..... **D21/759**

(58) **Field of Classification Search**  
USPC ..... D21/733, 752, 759  
CPC .. A63B 53/00; A63B 53/04; A63B 53/0466;  
A63B 2053/002; A63B 2053/0445; A63B  
2053/0433; A63B 2053/0437; A63B  
2053/0491  
See application file for complete search history.

(56) **References Cited**

**U.S. PATENT DOCUMENTS**

D499,158 S \* 11/2004 Imamoto ..... D21/752  
D507,615 S \* 7/2005 Imamoto ..... D21/752  
D523,502 S \* 6/2006 Jorgensen ..... D21/752  
D533,612 S \* 12/2006 Kohno ..... D21/759

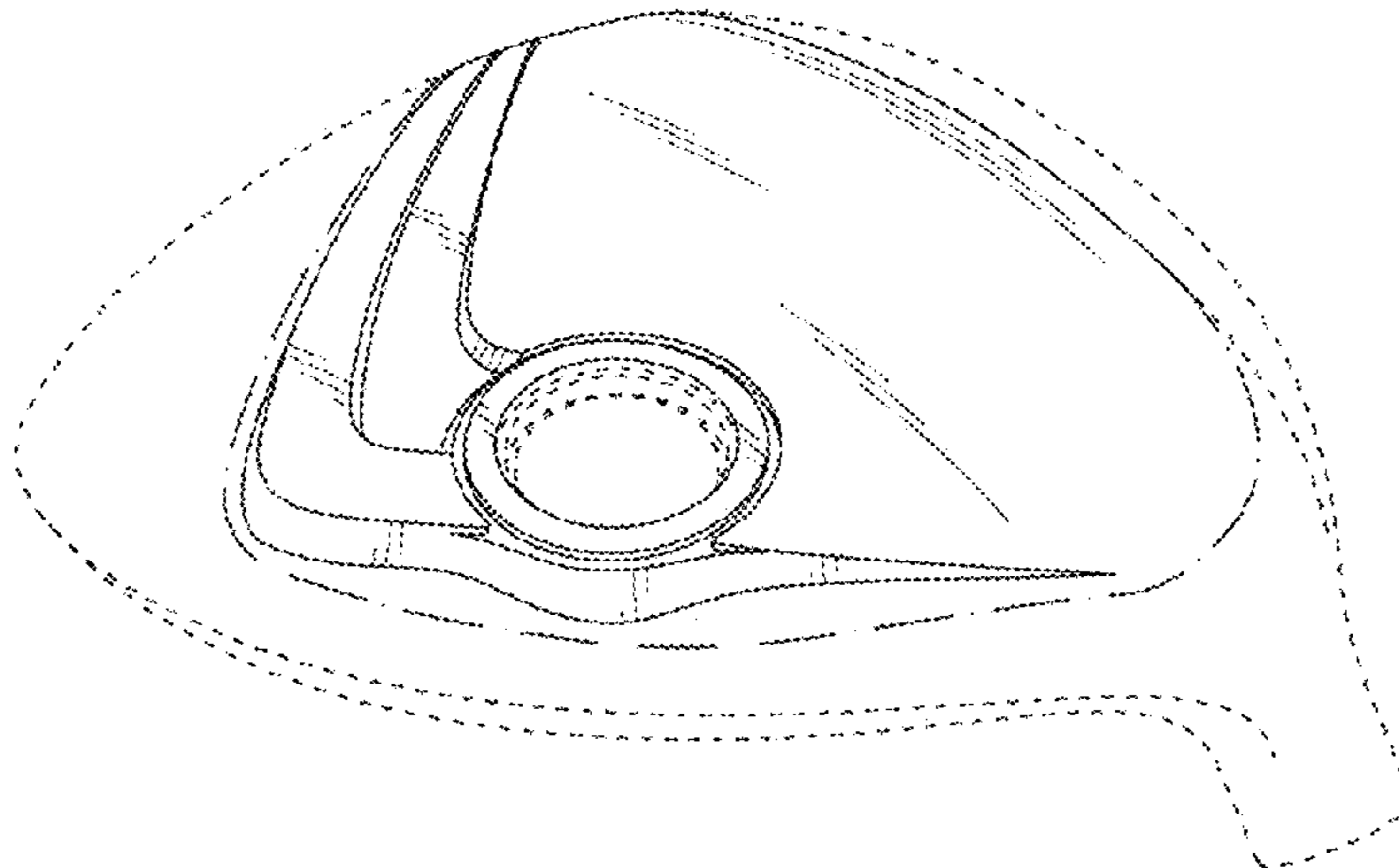
(57) **CLAIM**

The ornamental design for a golf club head, as shown and described.

**DESCRIPTION**

FIG. 1 is a bottom plan view of the golf club head showing my new design;  
FIG. 2 is a top plan view thereof;  
FIG. 3 is a left side view thereof;  
FIG. 4 is an inverted right side view thereof;  
FIG. 5 is a front elevational view thereof;  
FIG. 6 is a rear elevational view thereof; and,  
FIG. 7 is a bottom perspective view thereof.  
The portions shown in broken lines are directed to the boundary of the design and form no part of the claimed design.

**1 Claim, 7 Drawing Sheets**



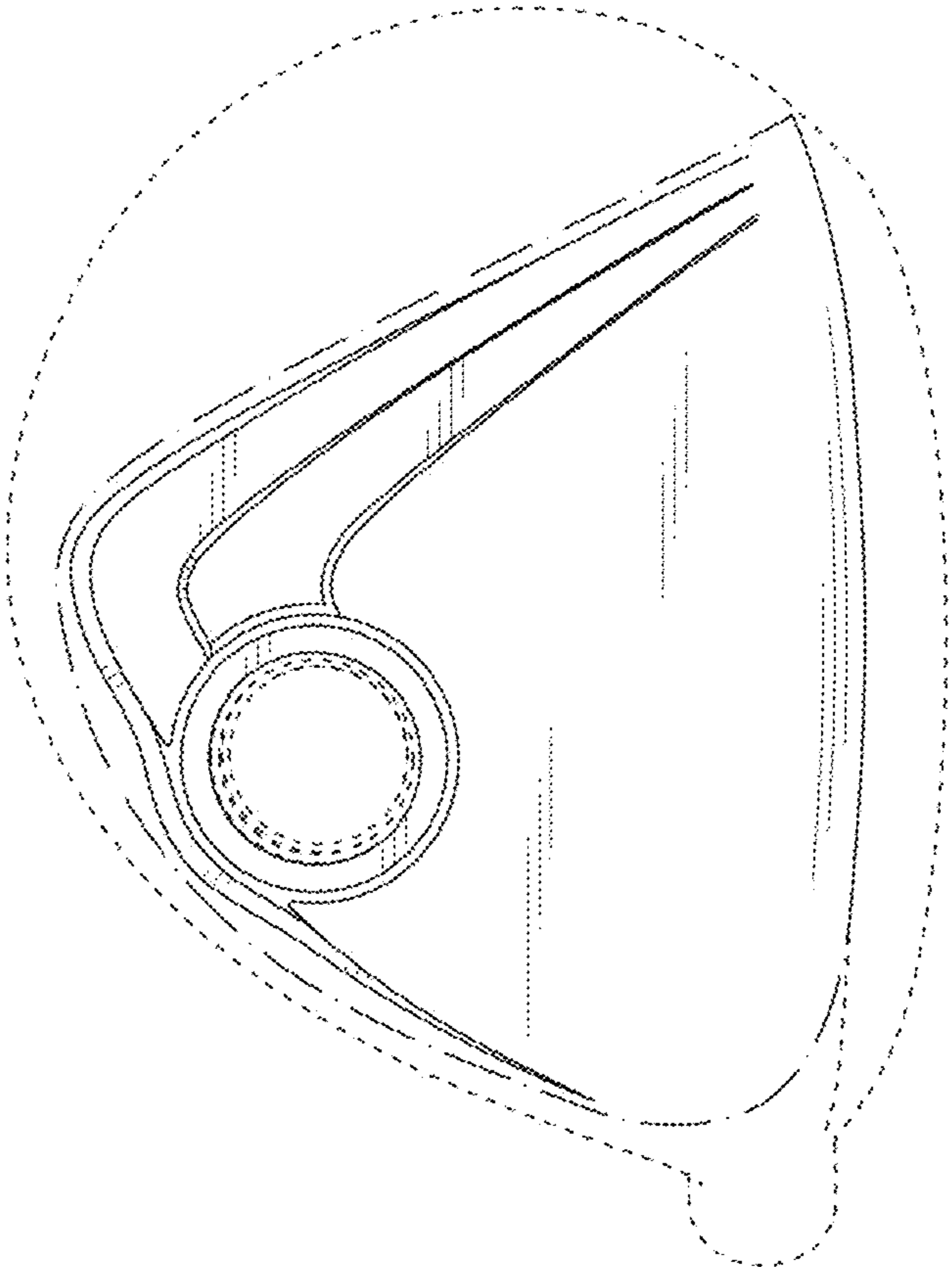


FIG. 1

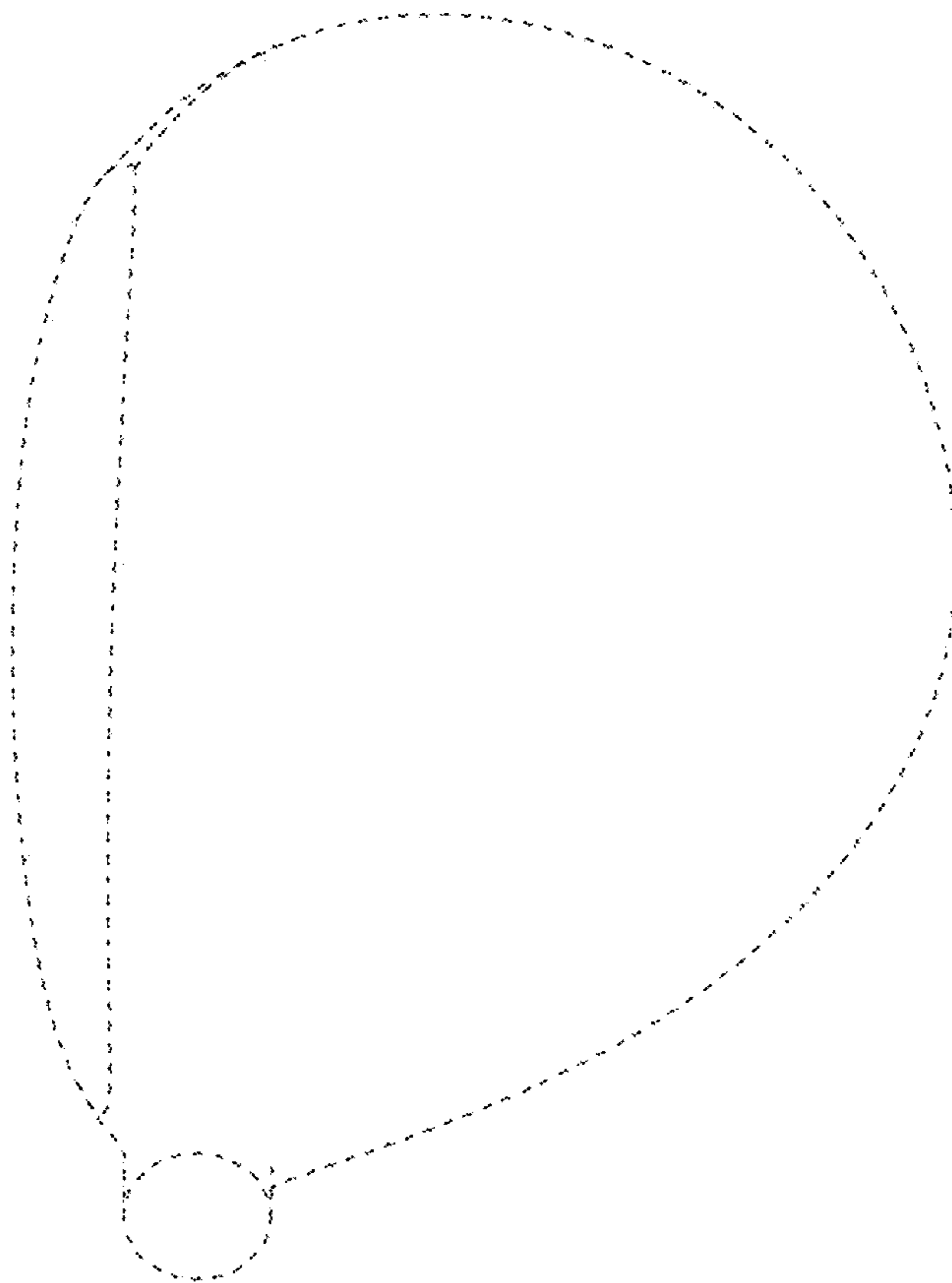


FIG. 2

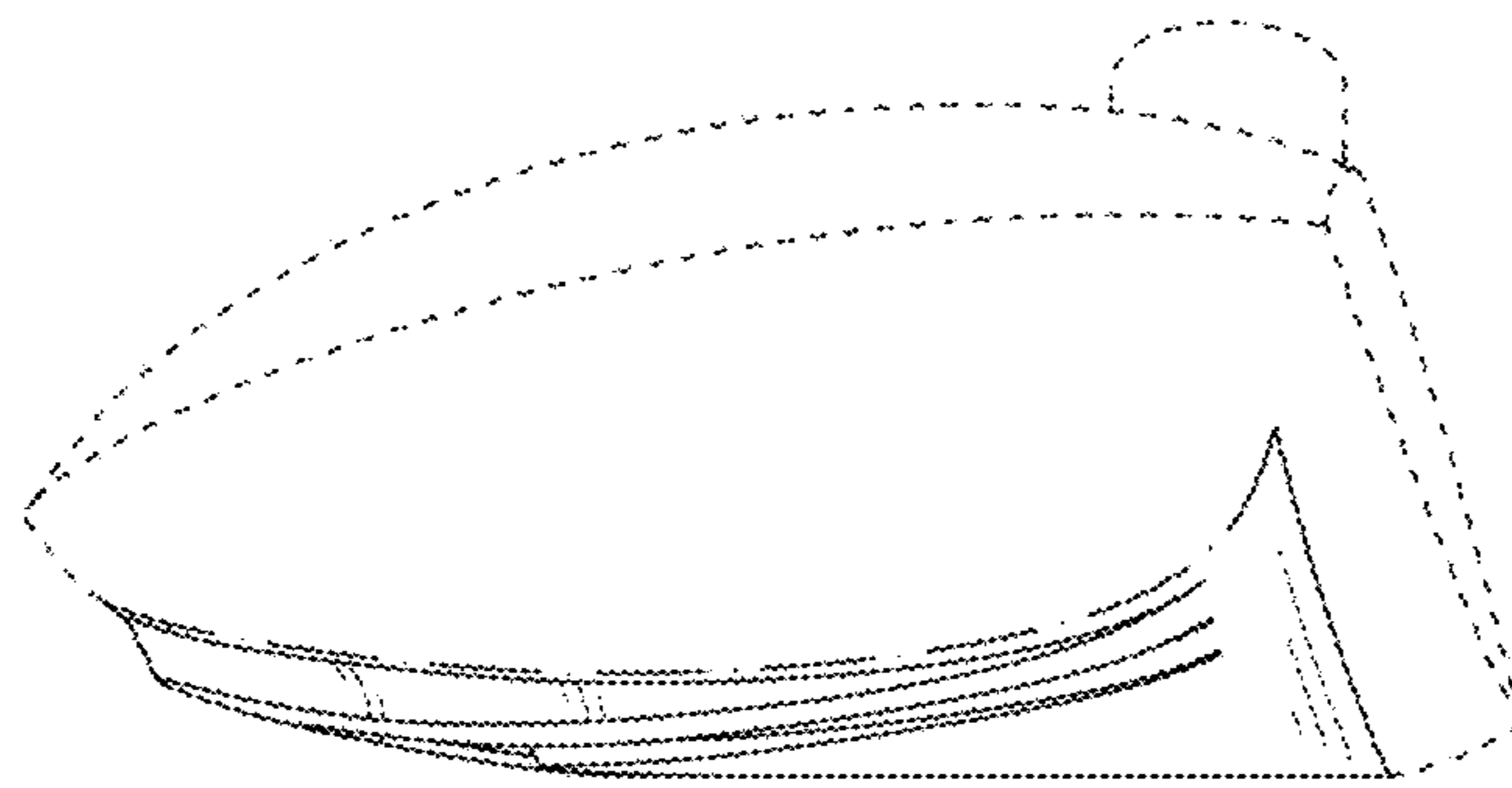


FIG. 3

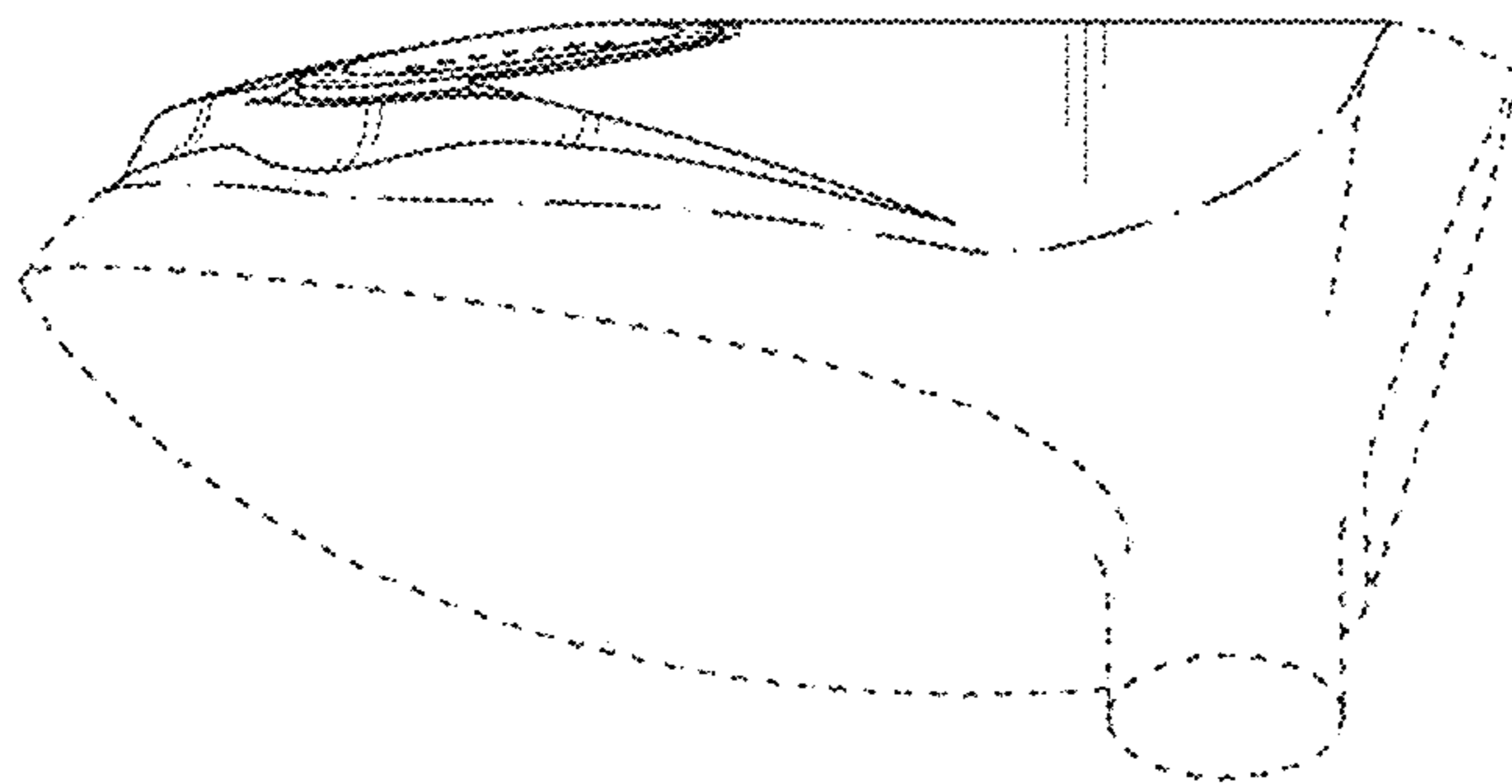


FIG. 4

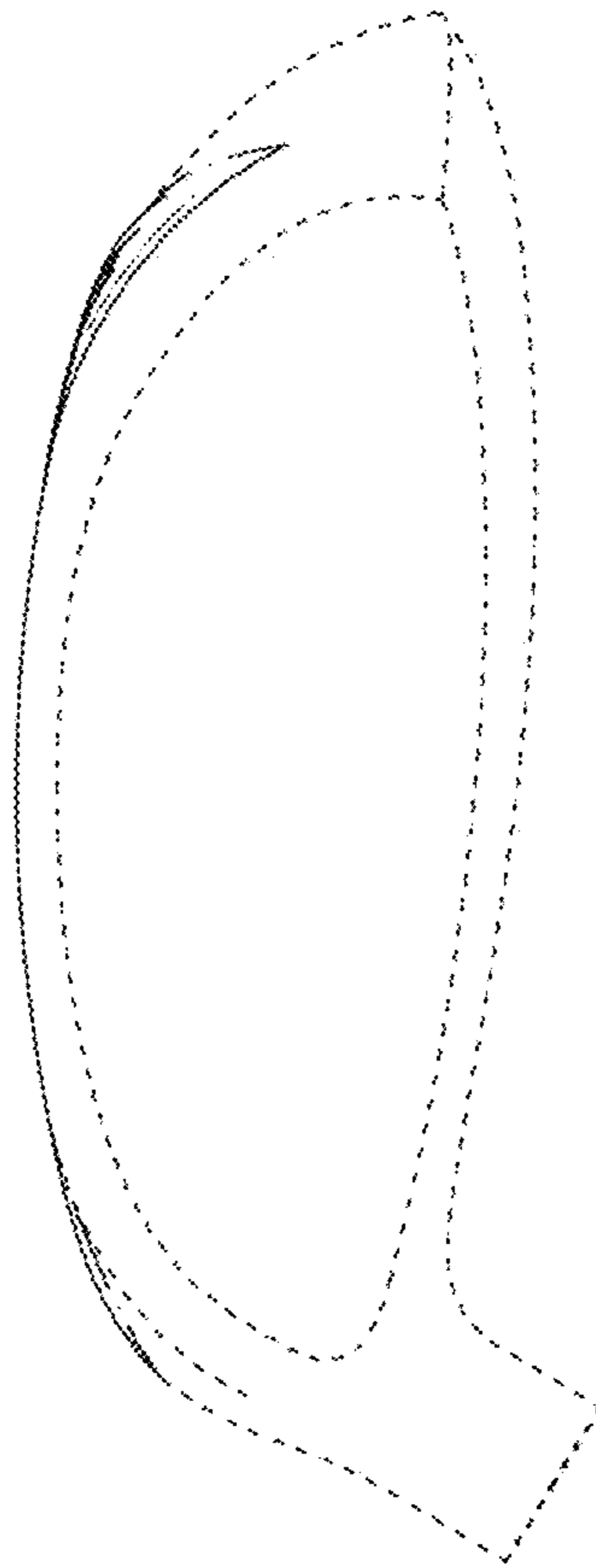


FIG. 5

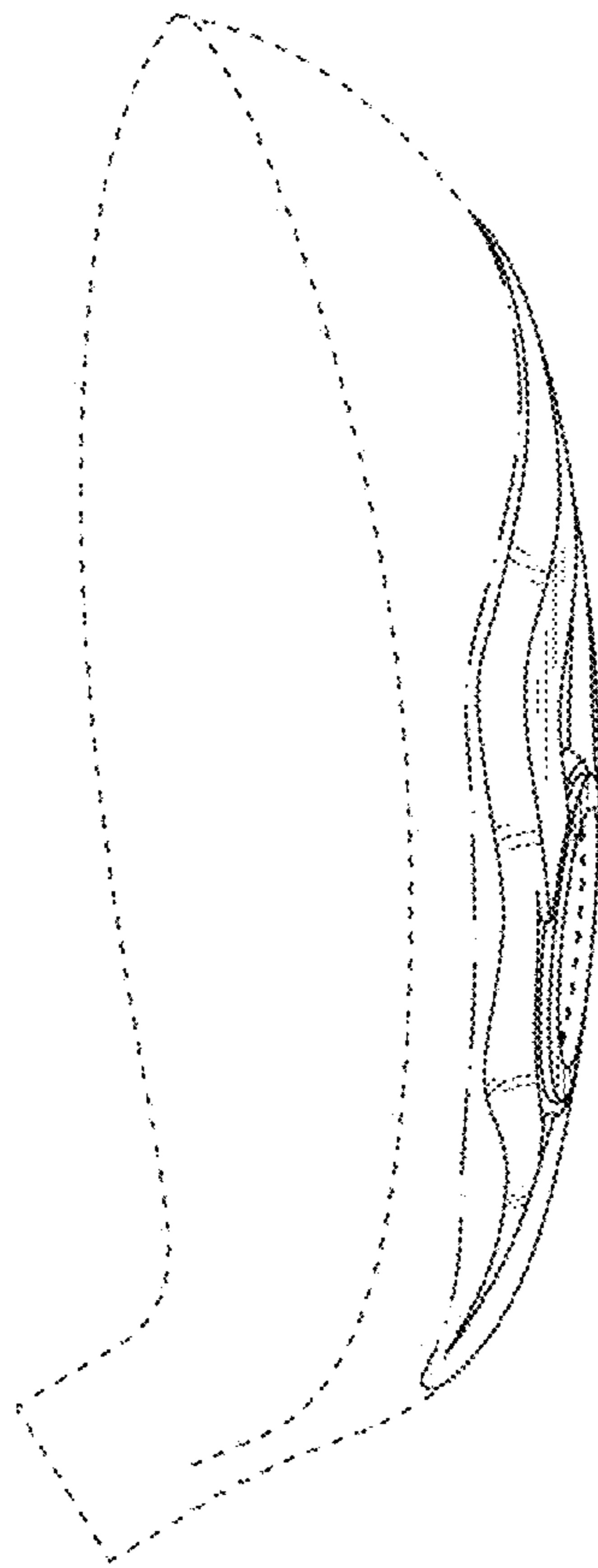


FIG. 6

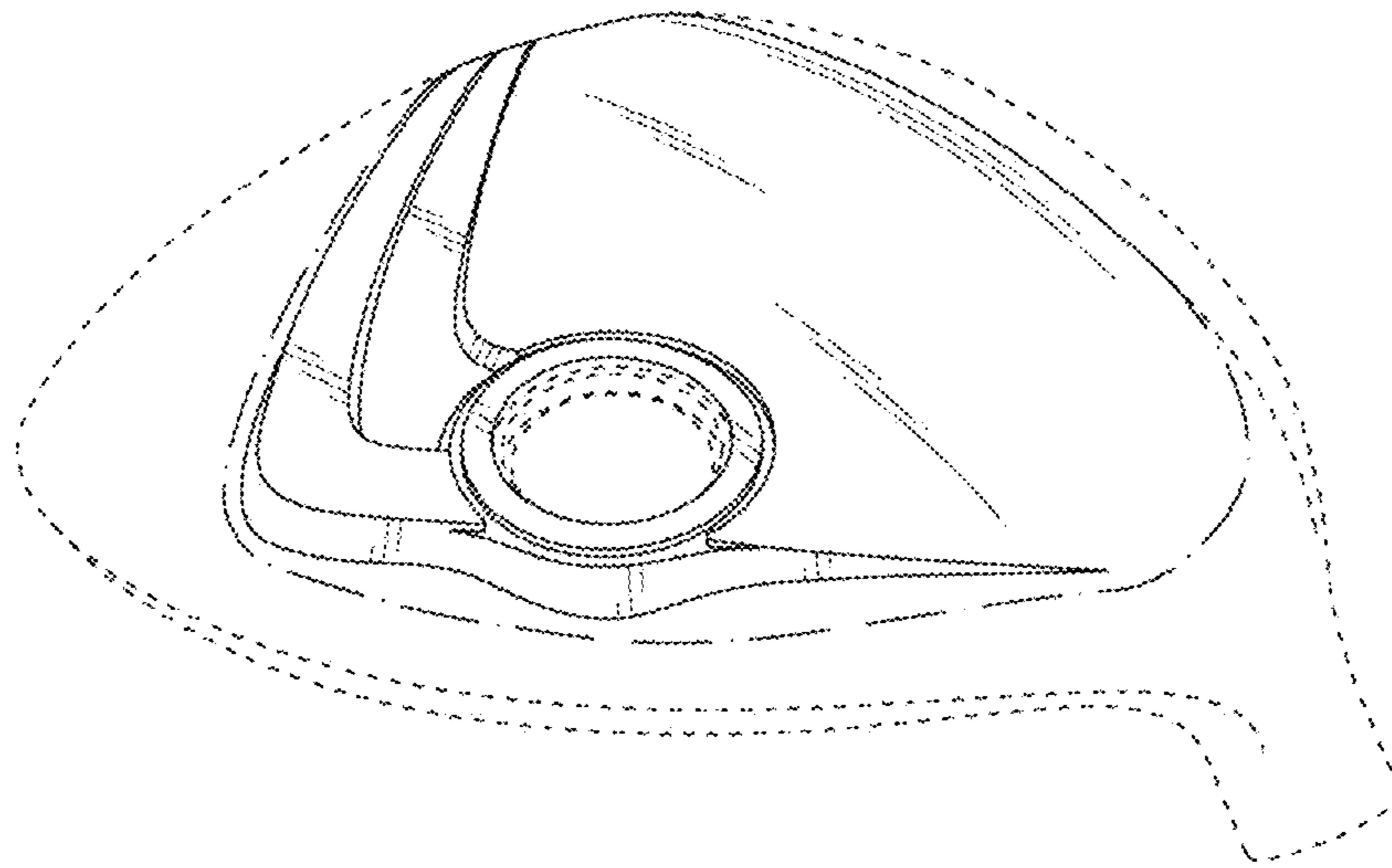


FIG. 7