



US00D767698S

(12) **United States Design Patent**
Stoelting

(10) **Patent No.:** **US D767,698 S**

(45) **Date of Patent:** **** Sep. 27, 2016**

- (54) **GOLF CLUB HEAD COVER**
- (71) Applicant: **Scott Stoelting**, Lawrenceburg, IN (US)
- (72) Inventor: **Scott Stoelting**, Lawrenceburg, IN (US)
- (**) Term: **14 Years**
- (21) Appl. No.: **29/509,699**
- (22) Filed: **Nov. 20, 2014**
- (51) **LOC (10) Cl.** **21-02**
- (52) **U.S. Cl.**
USPC **D21/754**
- (58) **Field of Classification Search**
USPC D21/754; D11/131, 157; D9/439;
D7/387, 197
CPC A63B 60/62
See application file for complete search history.

- 6,113,457 A * 9/2000 Kociemba A63B 60/62
150/160
- D443,666 S * 6/2001 Perry D21/754
- D456,473 S * 4/2002 Okamoto D21/754
- D465,536 S * 11/2002 Pontiff D21/754
- D465,821 S * 11/2002 Pontiff D21/754
- D466,172 S * 11/2002 Pontiff D21/754
- D466,568 S * 12/2002 Pontiff D21/754
- D466,571 S * 12/2002 Pontiff D21/754
- D466,572 S * 12/2002 Pontiff D21/754
- D468,384 S * 1/2003 Harkins D21/754
- D470,207 S * 2/2003 Pontiff D21/754
- D472,951 S * 4/2003 Sullivan D21/754
- D490,130 S * 5/2004 Hung D21/754
- D506,519 S * 6/2005 McCabe D21/754
- D508,100 S * 8/2005 McCabe D21/754
- D516,150 S * 2/2006 McCabe D21/754
- D516,151 S * 2/2006 Murata D21/754
- D517,627 S * 3/2006 McCabe D21/754

(Continued)

Primary Examiner — Mitchell Siegel
(74) *Attorney, Agent, or Firm* — Jenei LLC

(56) **References Cited**

U.S. PATENT DOCUMENTS

- D248,936 S * 8/1978 Lohan D11/157
- D287,392 S * 12/1986 Brittner D21/754
- D301,047 S * 5/1989 Pace D21/754
- D312,289 S * 11/1990 Pace D21/754
- D395,694 S * 6/1998 Perry D21/754
- D396,259 S * 7/1998 Pollard D21/754
- D396,514 S * 7/1998 Perry D21/754
- D397,181 S * 8/1998 Pollard D21/754
- D397,182 S * 8/1998 Pollard D21/754
- D397,183 S * 8/1998 Pollard D21/754
- D397,184 S * 8/1998 Pollard D21/754
- D397,185 S * 8/1998 Pollard D21/754
- D397,186 S * 8/1998 Pollard D21/754
- D401,638 S * 11/1998 Pollard D21/754
- D402,727 S * 12/1998 Stutzman D21/754
- D402,728 S * 12/1998 Stutzman D21/754
- D403,720 S * 1/1999 Colinelli D21/627
- D403,725 S * 1/1999 Colinelli D21/627
- D403,726 S * 1/1999 Colinelli D21/627
- D403,727 S * 1/1999 Colinelli D21/627
- 5,908,344 A * 6/1999 Kociemba A63B 60/62
150/160
- D417,899 S * 12/1999 Sloan D21/623

(57) **CLAIM**

The ornamental design for a golf club head cover, as shown and described.

DESCRIPTION

FIG. 1 is a bottom perspective view of a golf club head cover;

FIG. 2 is a bottom perspective view of a golf club head cover shown exploded from an unclaimed golf club head;

FIG. 3 is a bottom perspective view of a golf club head cover shown attached to an unclaimed trophy base;

FIG. 4 is a front view thereof;

FIG. 5 is a rear view thereof;

FIG. 6 is a left side view thereof;

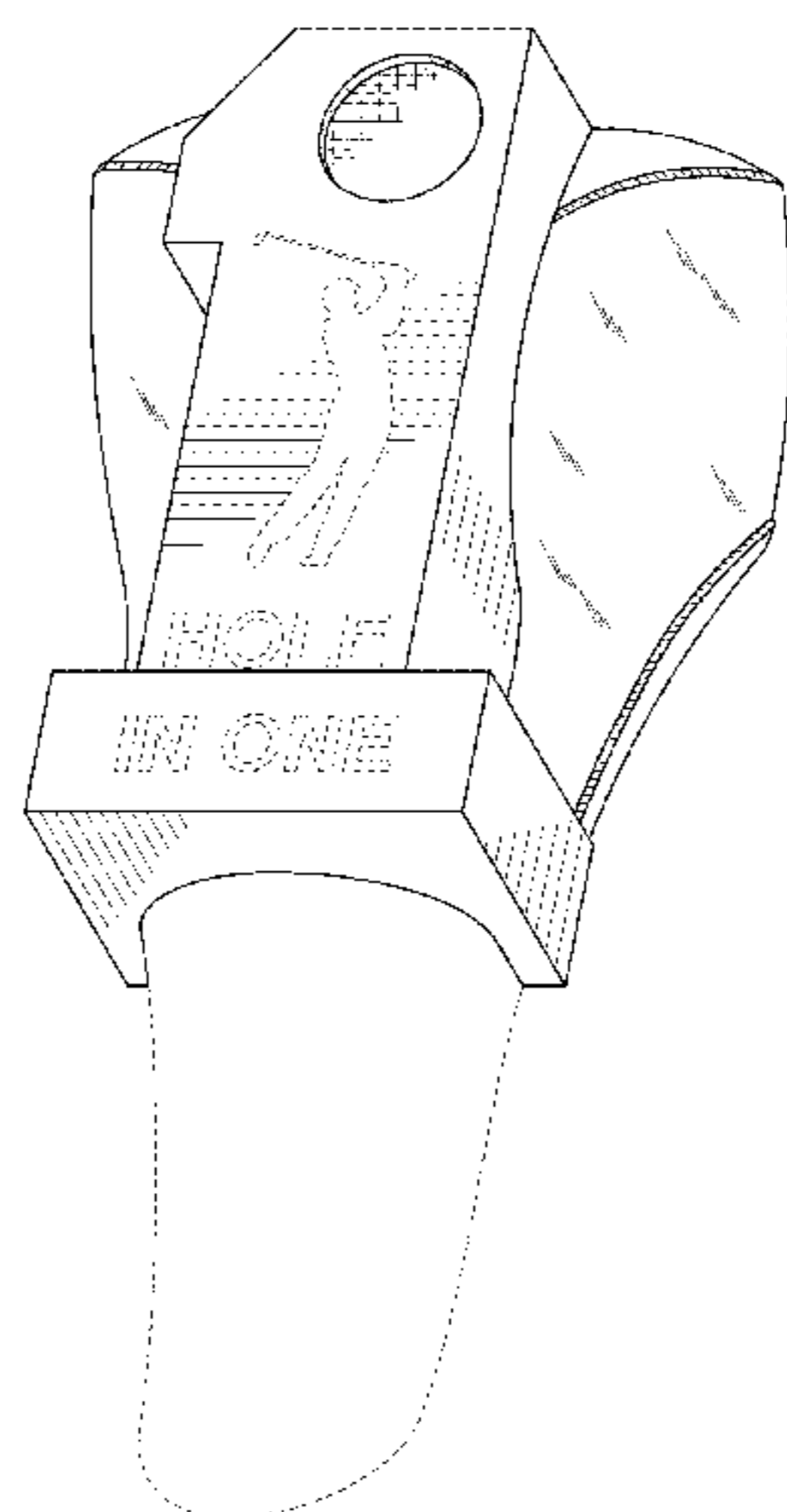
FIG. 7 is a right side view thereof;

FIG. 8 is a top view thereof; and,

FIG. 9 is a bottom view thereof.

The broken line showing is included for the purpose of illustrating and forms no part of the claimed design.

1 Claim, 9 Drawing Sheets



(56)

References Cited

U.S. PATENT DOCUMENTS

D518,540 S *	4/2006	McCabe	D21/754	D661,358 S *	6/2012	Szabo	D21/754
D524,389 S *	7/2006	McCabe	D21/754	D667,066 S *	9/2012	Amella	D21/754
D532,856 S *	11/2006	McCabe	D21/754	D670,777 S *	11/2012	Roberts	D21/754
D603,920 S *	11/2009	Heazel	D21/754	D755,315 S *	5/2016	Day	D21/754
					2011/0217563 A1 *	9/2011	Stoelting	B44C 5/04 428/542.4

* cited by examiner

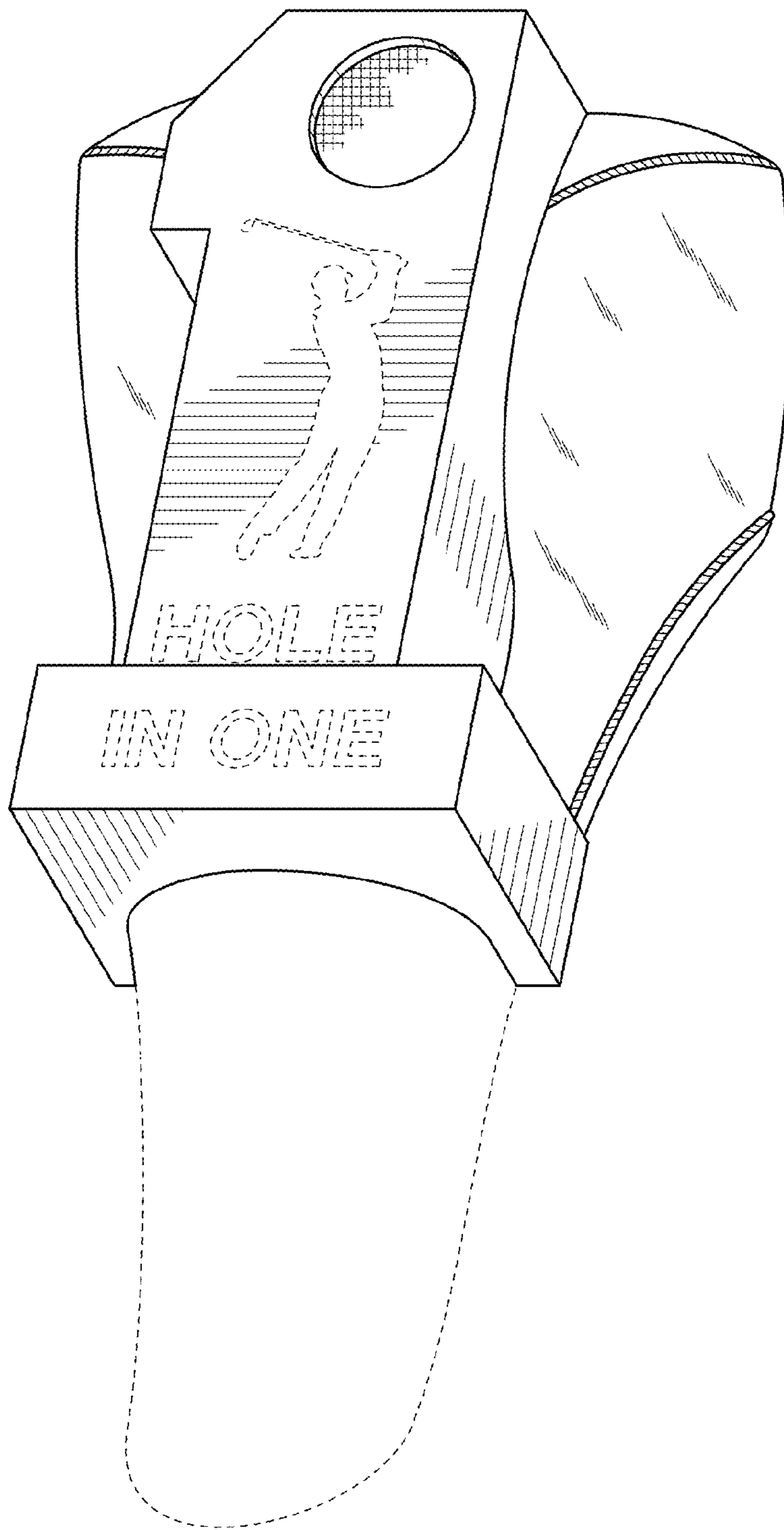


FIG. 1

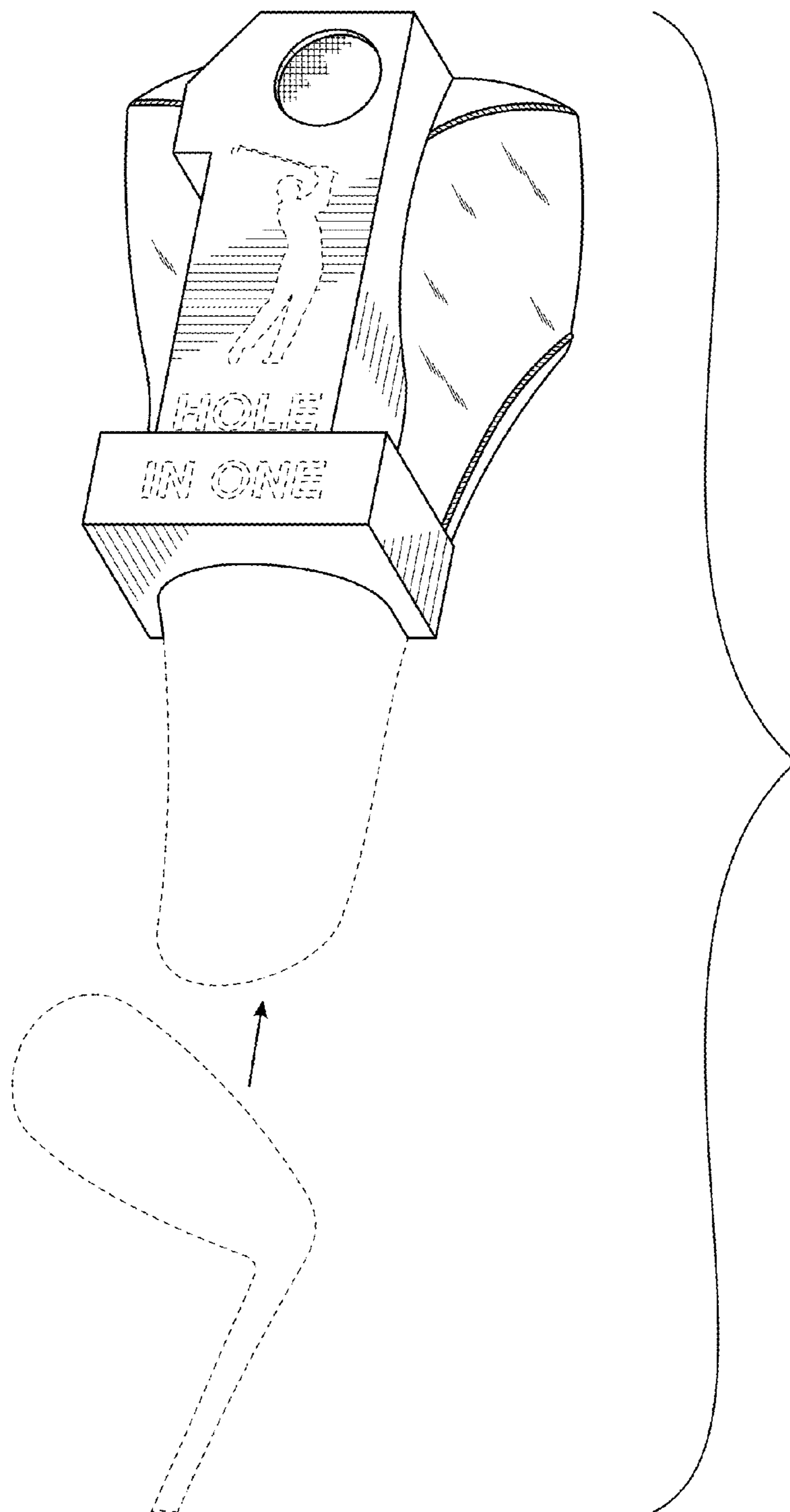


FIG. 2

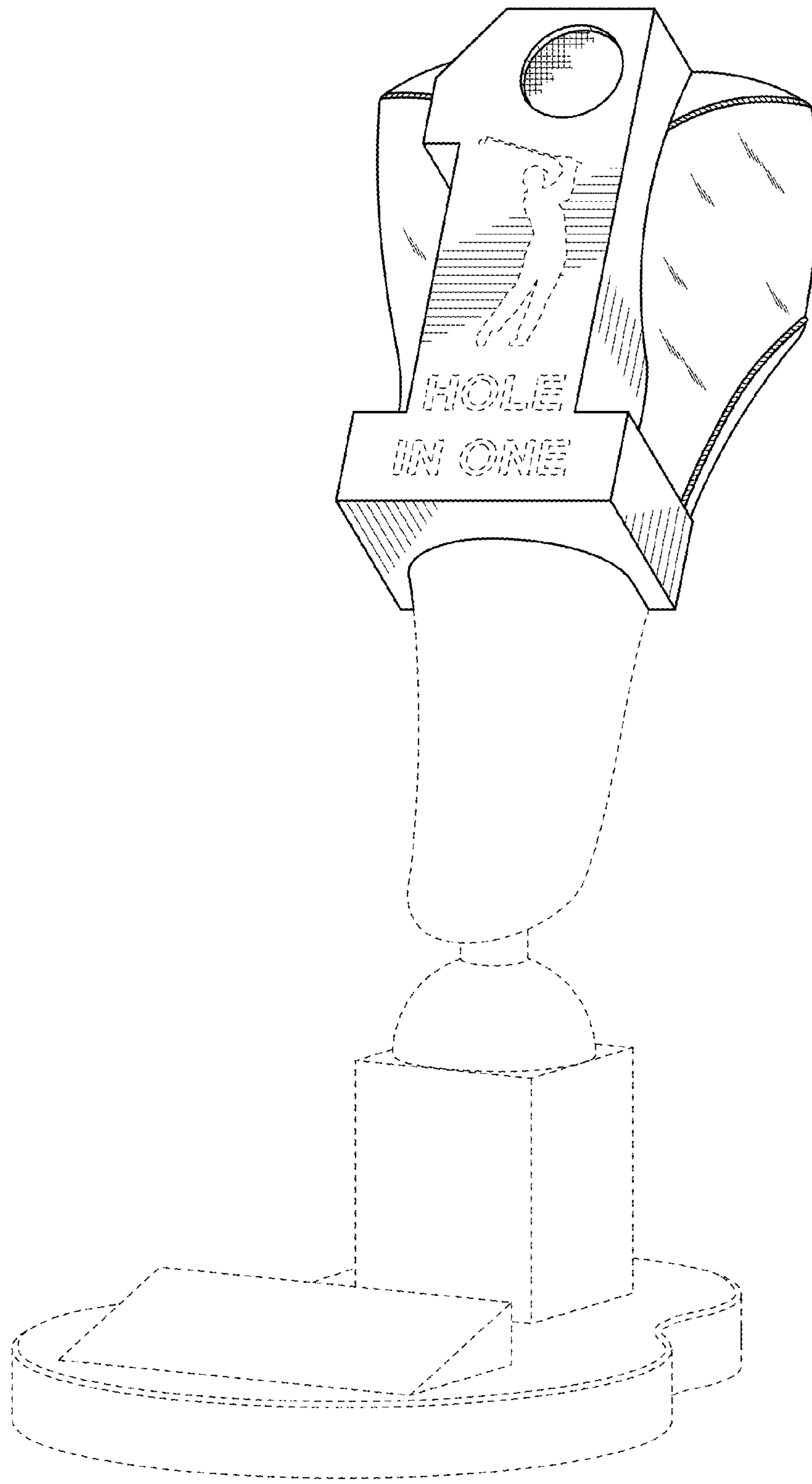


FIG. 3

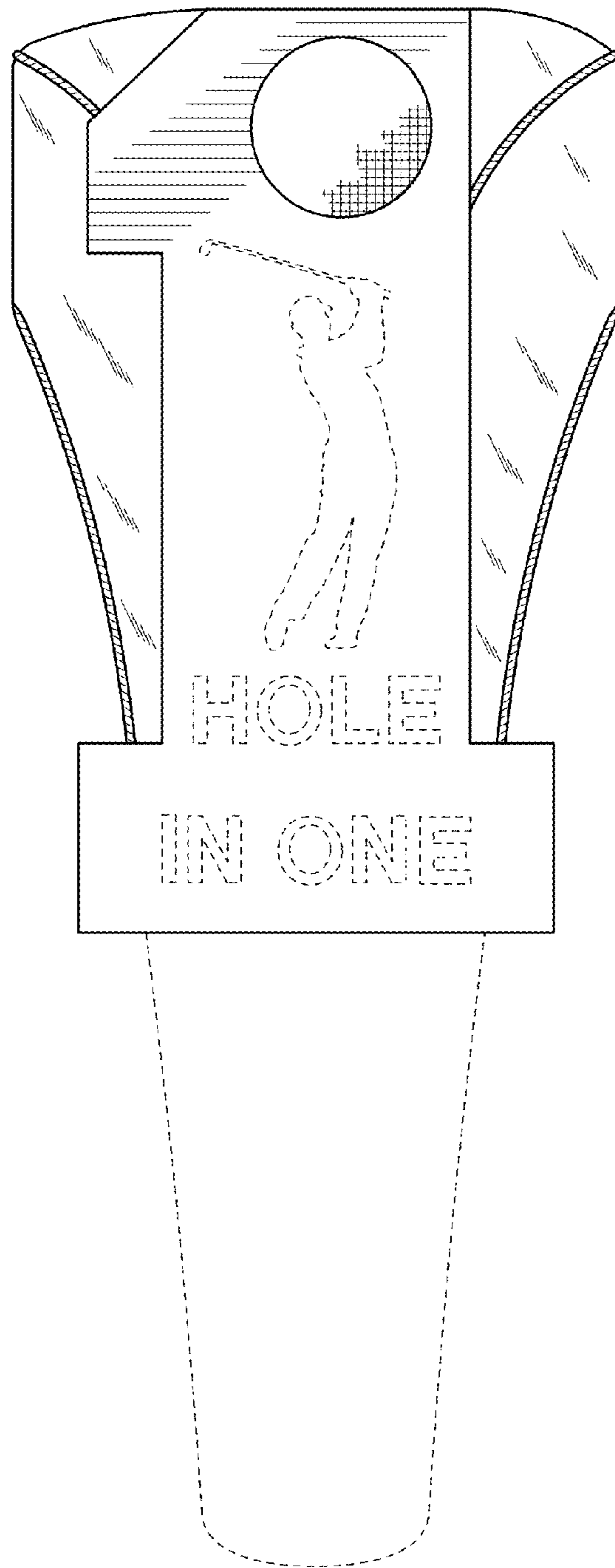


FIG. 4

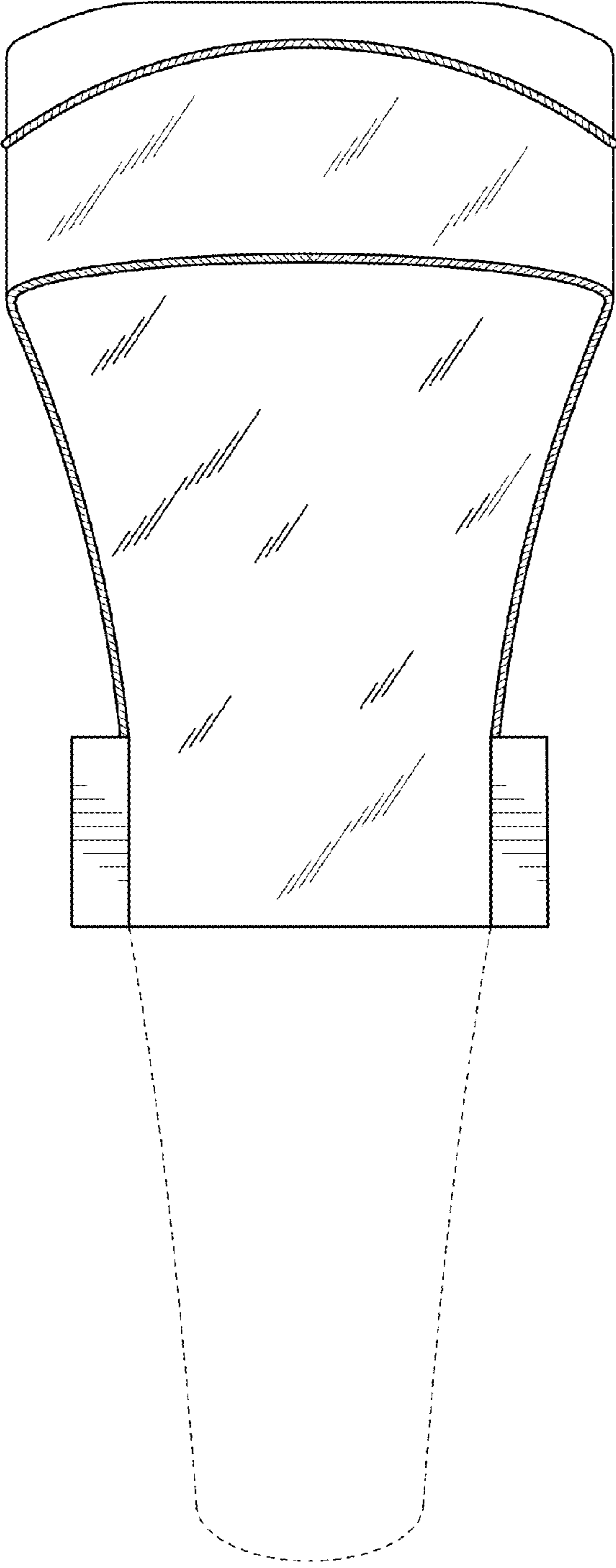


FIG. 5

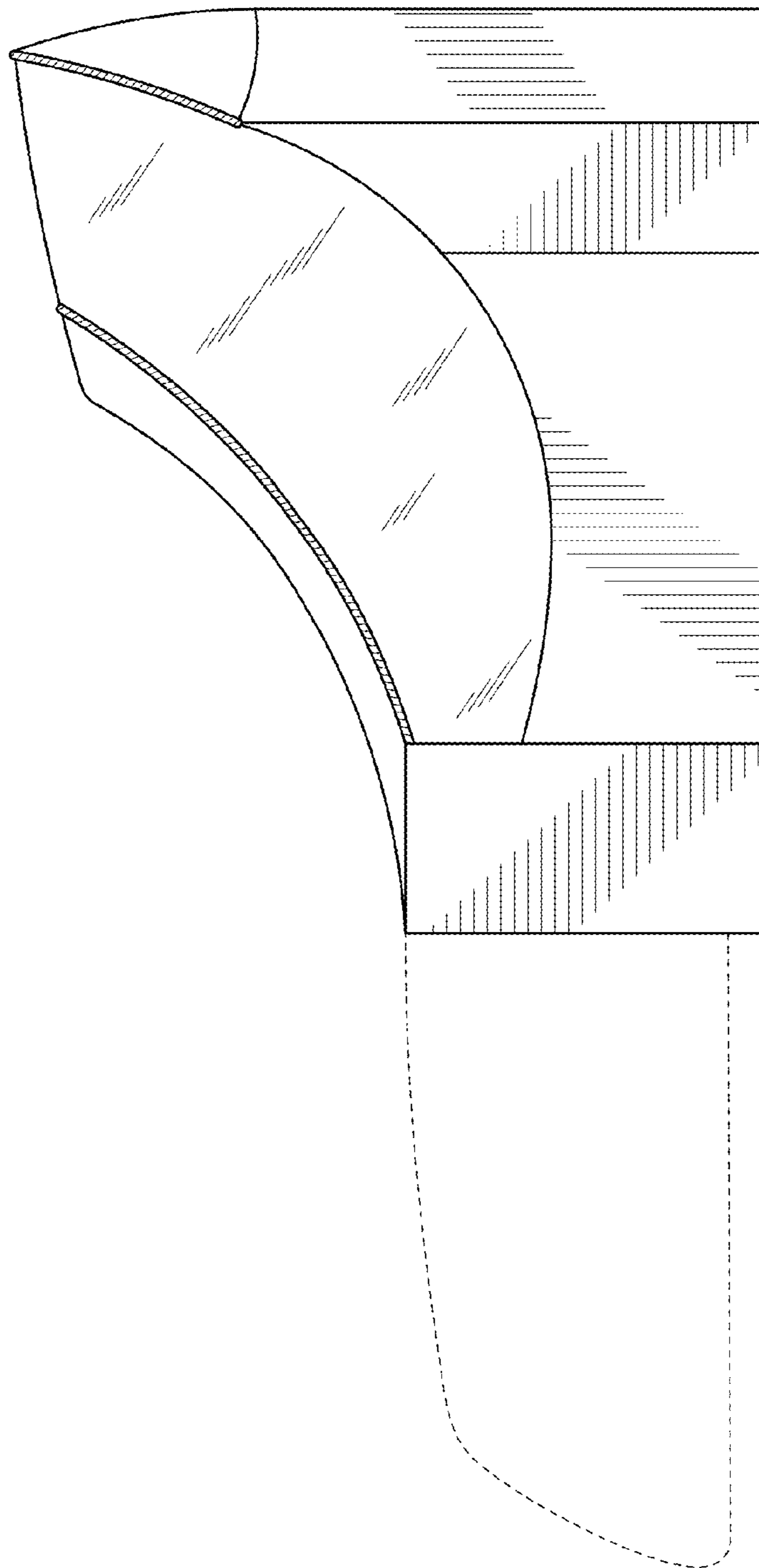


FIG. 6

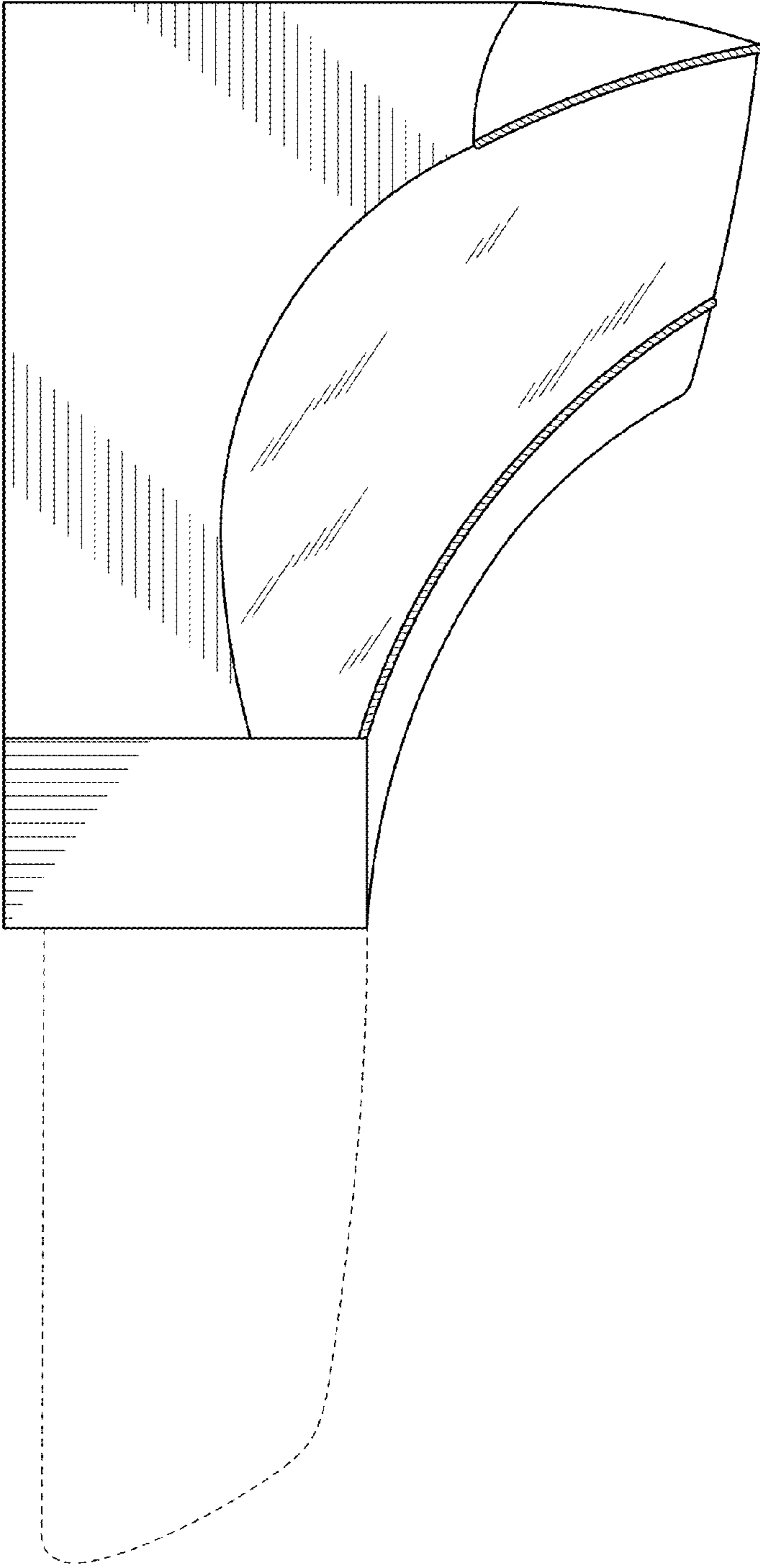


FIG. 7

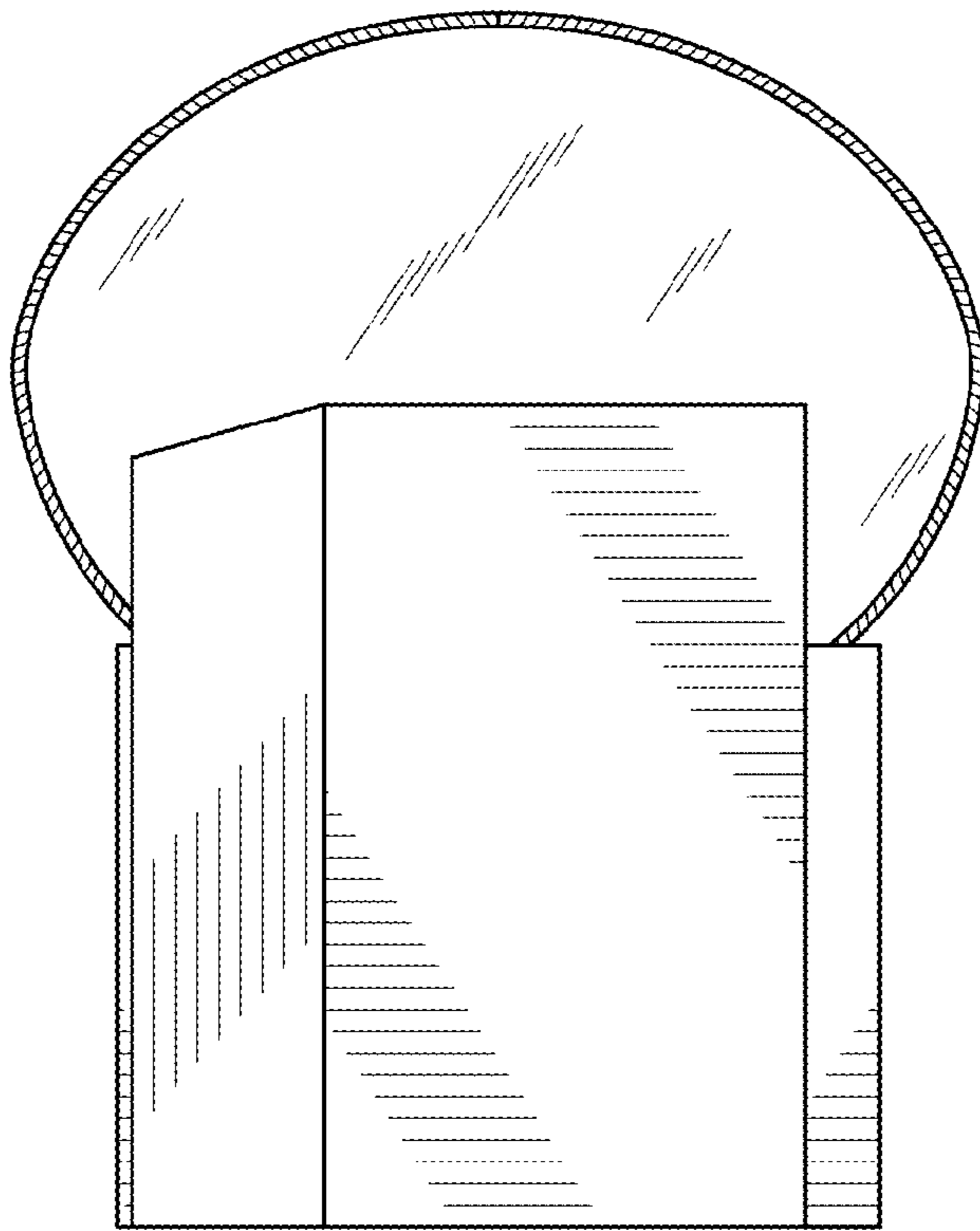


FIG. 8

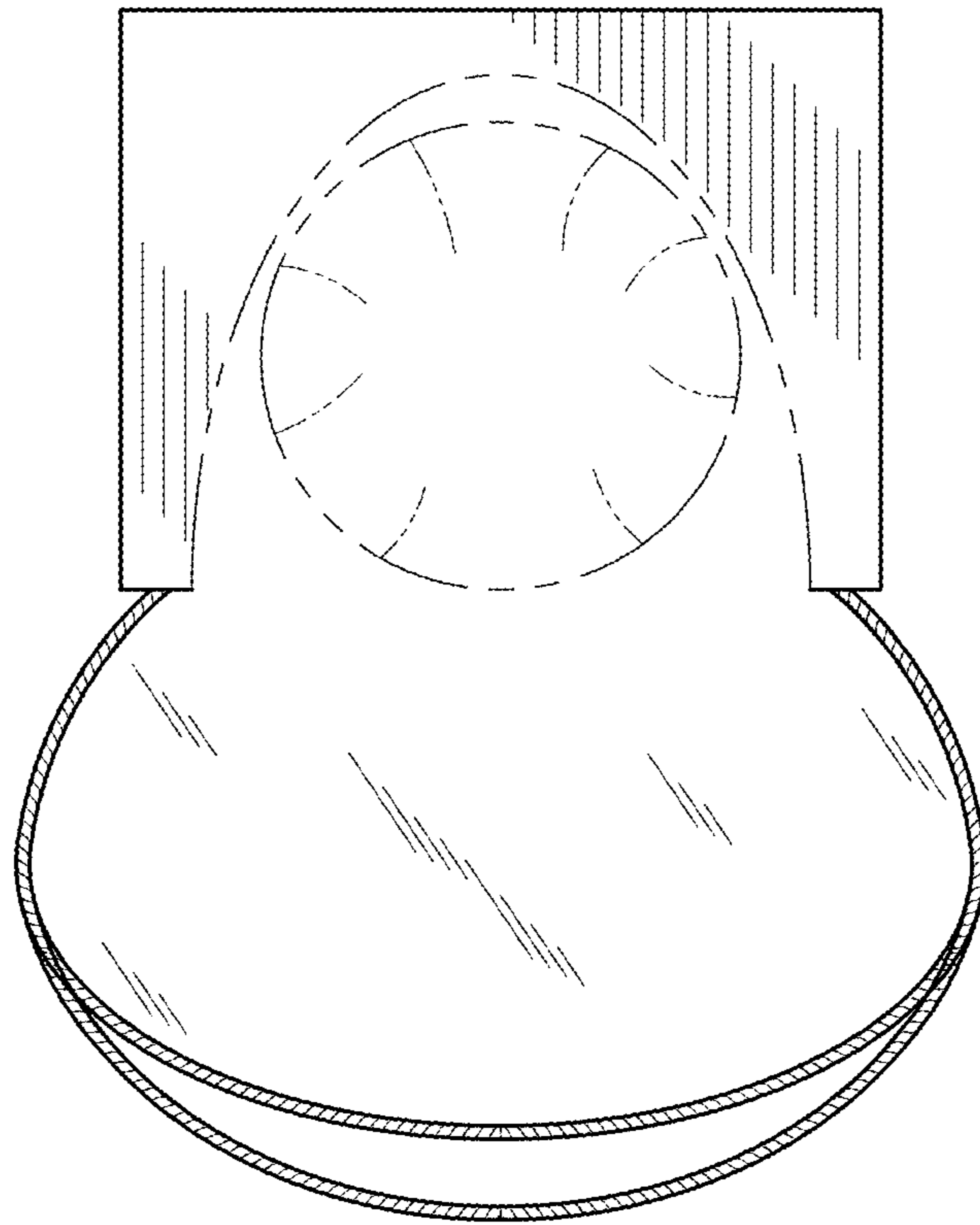


FIG. 9