



US00D767697S

(12) **United States Design Patent** (10) **Patent No.:** **US D767,697 S**
Deggs (45) **Date of Patent:** **** Sep. 27, 2016**

(54) **BATTING AID FOR USE AS A TRAINING DEVICE**
(71) Applicant: **Matthew Deggs**, Huntsville, TX (US)
(72) Inventor: **Matthew Deggs**, Huntsville, TX (US)
(**) Term: **14 Years**
(21) Appl. No.: **29/518,243**
(22) Filed: **Feb. 20, 2015**
(51) **LOC (10) Cl.** **21-02**
(52) **U.S. Cl.**
USPC **D21/753**
(58) **Field of Classification Search**
USPC D21/725, 753, 791
CPC .. A63B 59/50; A63B 60/24; A63B 69/0002;
A63B 2069/0008
See application file for complete search history.

D590,902 S * 4/2009 De La Cruz D21/753
D659,212 S * 5/2012 Smith D21/753
D665,471 S * 8/2012 Fossum D21/753
D670,776 S * 11/2012 Fossum D21/753
D678,967 S * 3/2013 Fossum D21/753
D682,964 S * 5/2013 Smith D21/753
D697,153 S * 1/2014 Fossum D21/753
D733,235 S * 6/2015 Smith D21/753

* cited by examiner

Primary Examiner — Mitchell Siegel
(74) *Attorney, Agent, or Firm* — Edmonds & Nolte, P.C.

(57) **CLAIM**
The ornamental design for a batting aid for use as a training device, as shown and described.

DESCRIPTION

FIG. 1 is a top perspective view of a batting aid for use as a training device;
FIG. 2 is a bottom perspective view thereof;
FIG. 3 is a side elevational view thereof; the undisclosed sides being identical;
FIG. 4 is a top plan view thereof; and,
FIG. 5 is a bottom plan view thereof.
The broken lines in the drawings are for illustrative purposes only and form no part of the claimed design.

1 Claim, 2 Drawing Sheets

(56) **References Cited**
U.S. PATENT DOCUMENTS
3,521,883 A * 7/1970 Hamilton A63B 59/50
473/437
D387,831 S * 12/1997 George D21/753
5,954,591 A * 9/1999 Liberatore A63B 53/14
473/205
6,010,415 A * 1/2000 Miggins A63B 69/0002
473/437
D438,585 S * 3/2001 Pelot D21/753
D523,105 S * 6/2006 Bernacchi D21/725

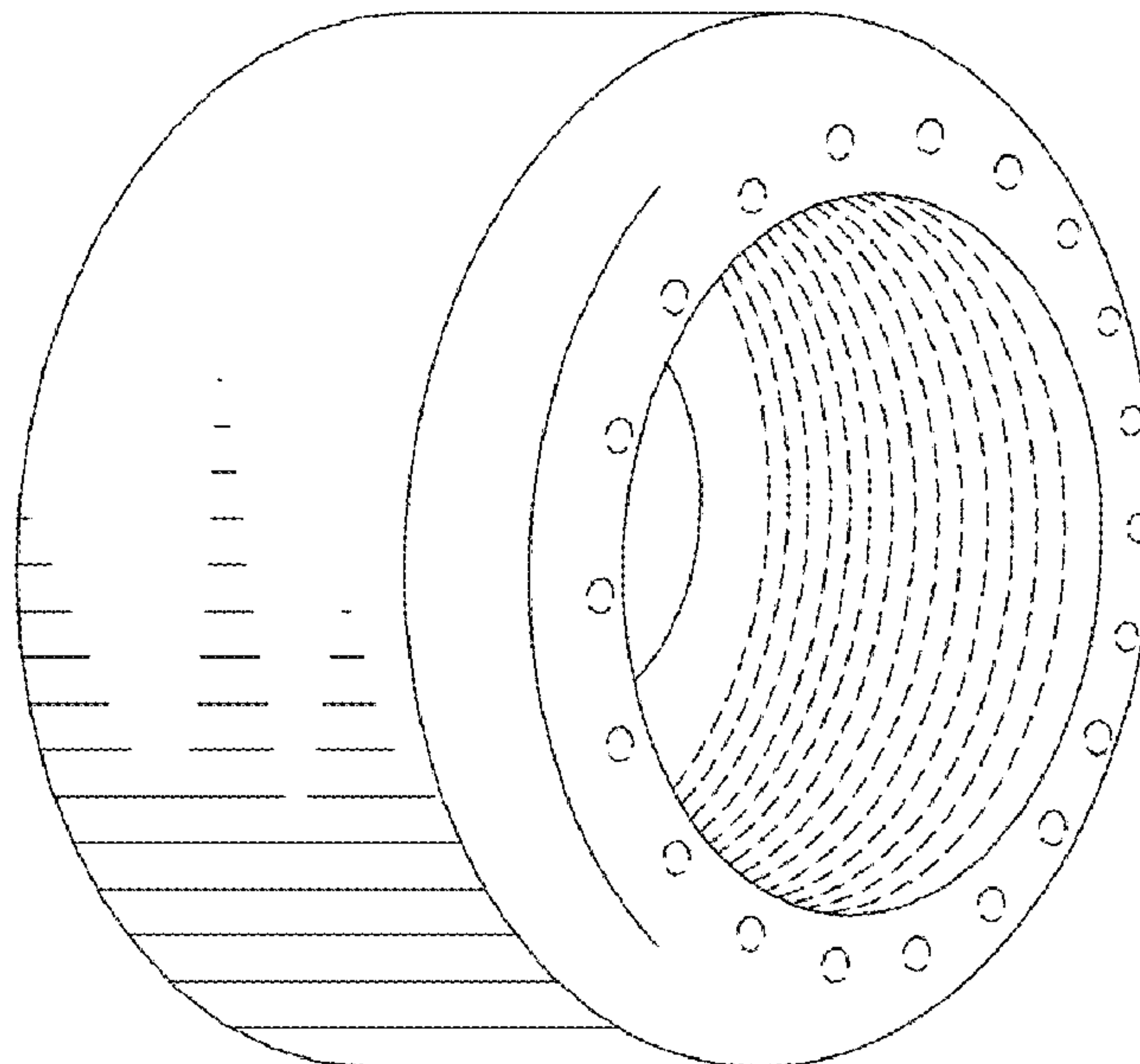


FIG. 1

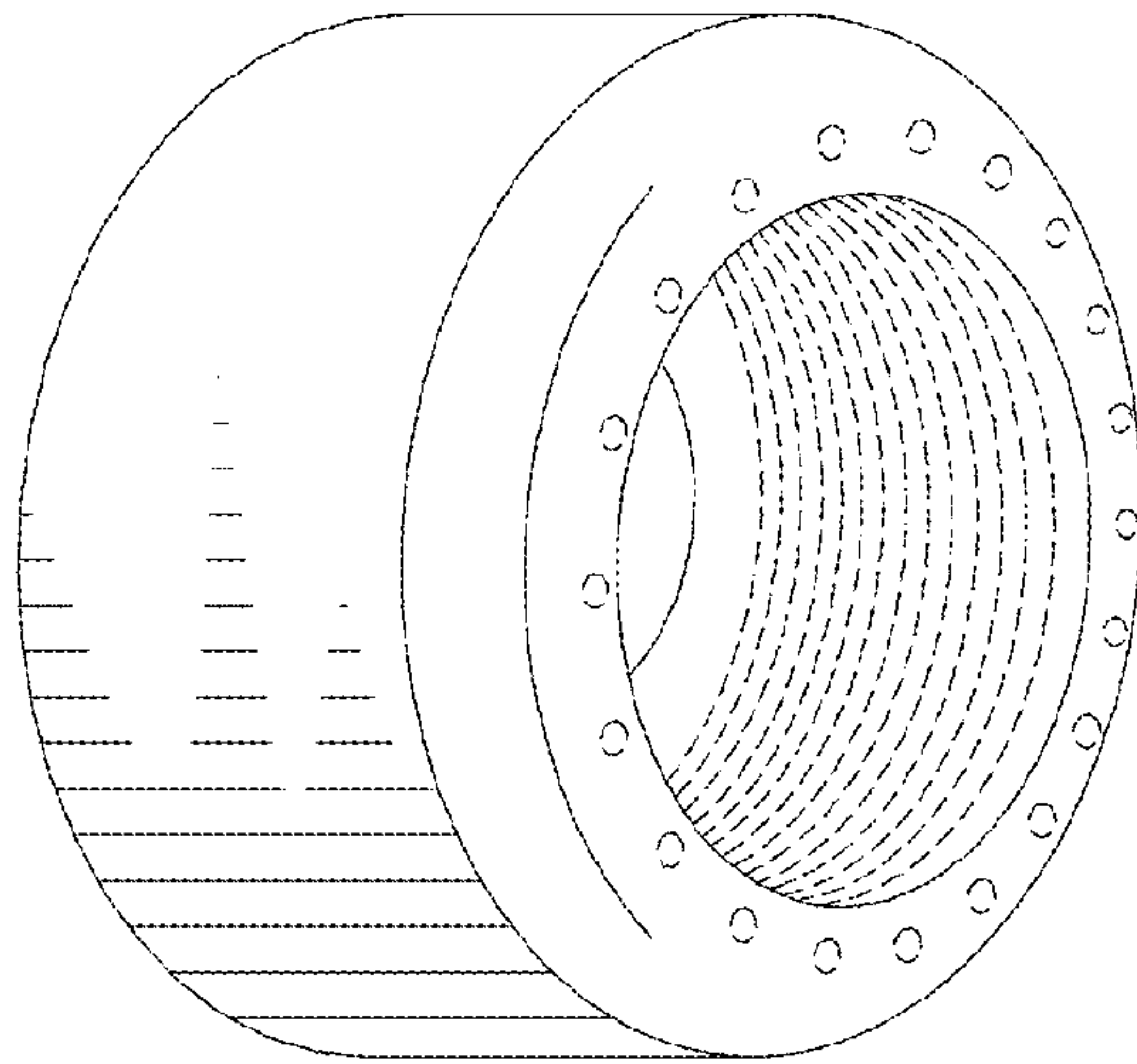


FIG. 2

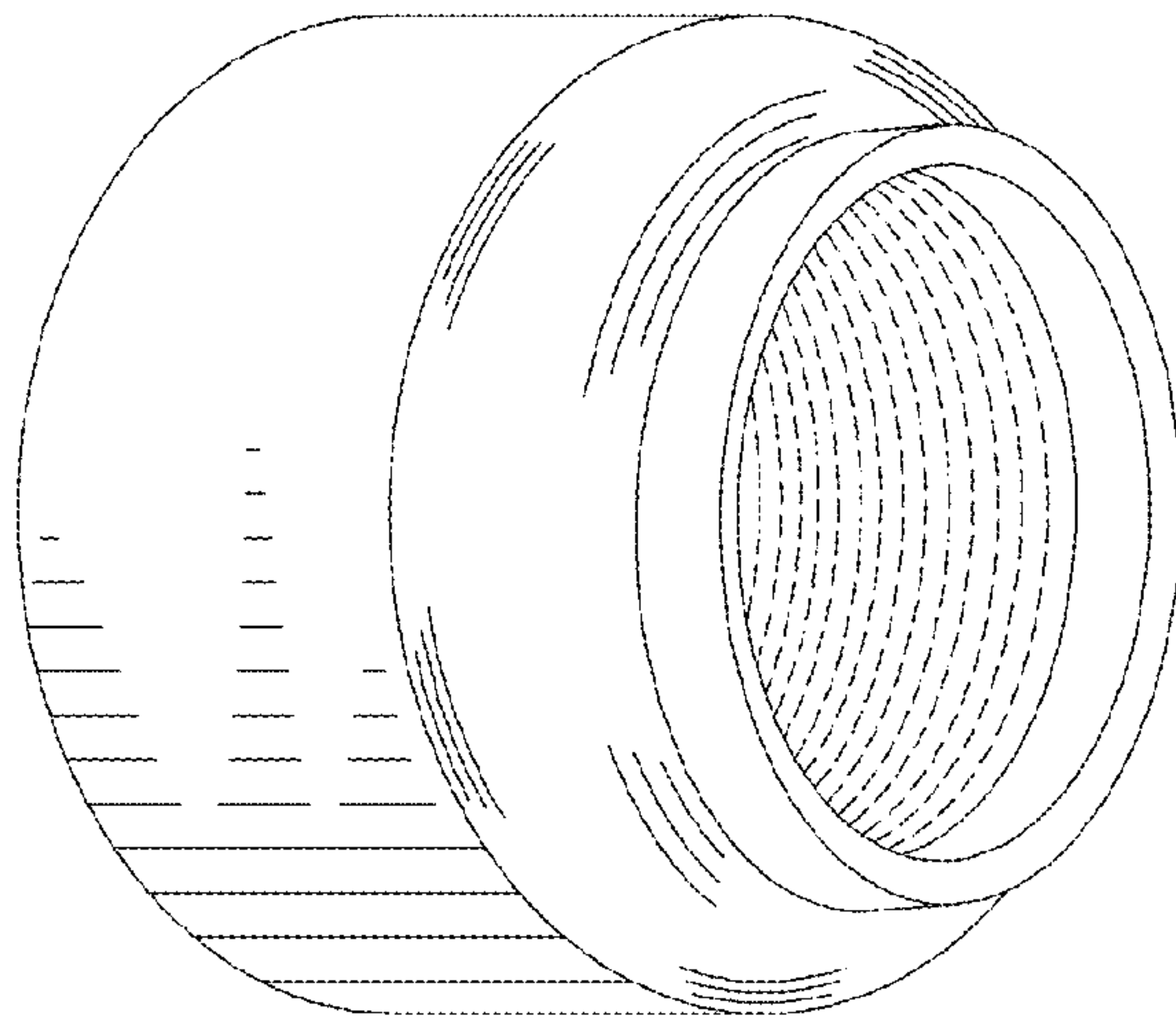
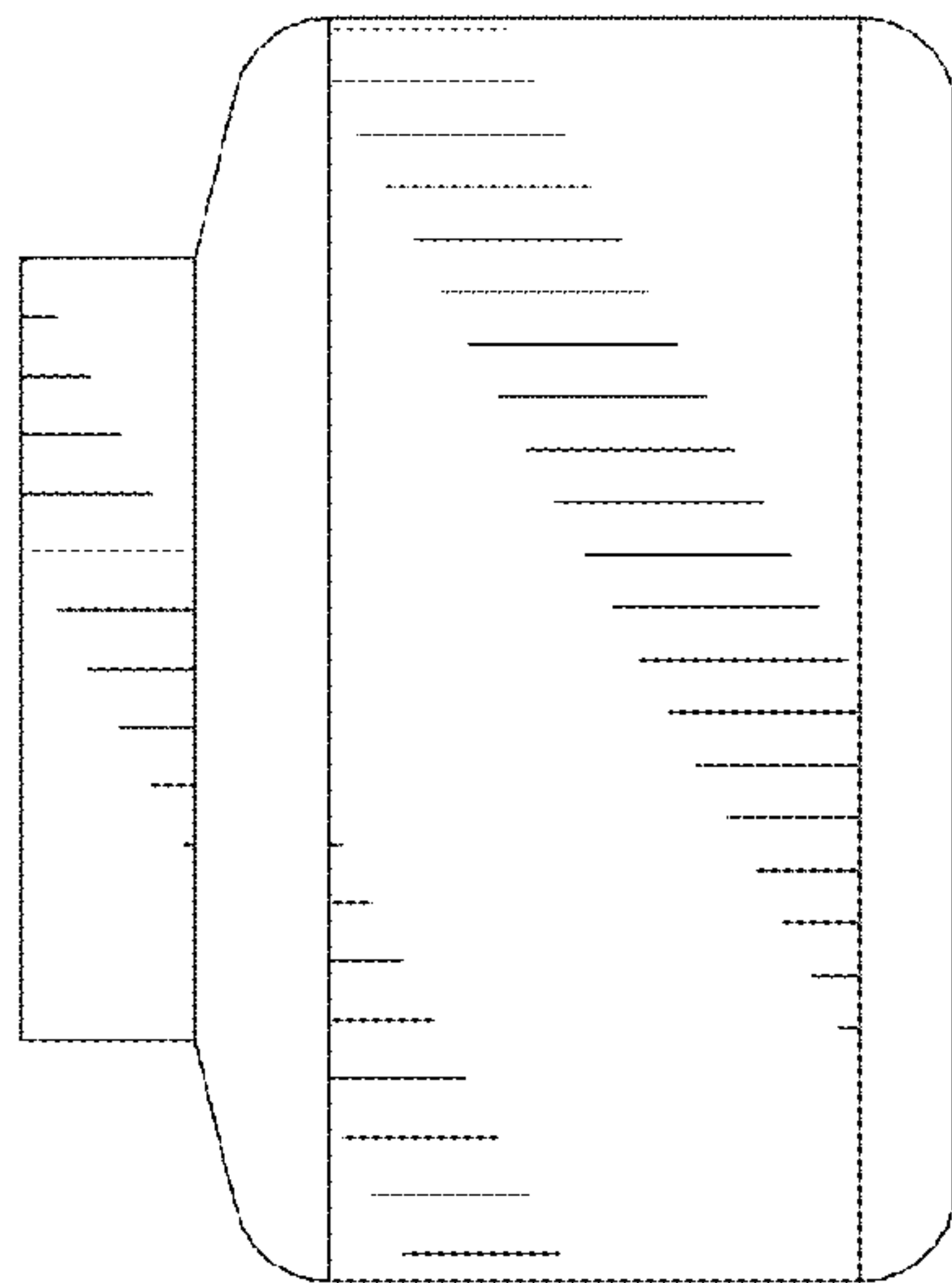


FIG. 3



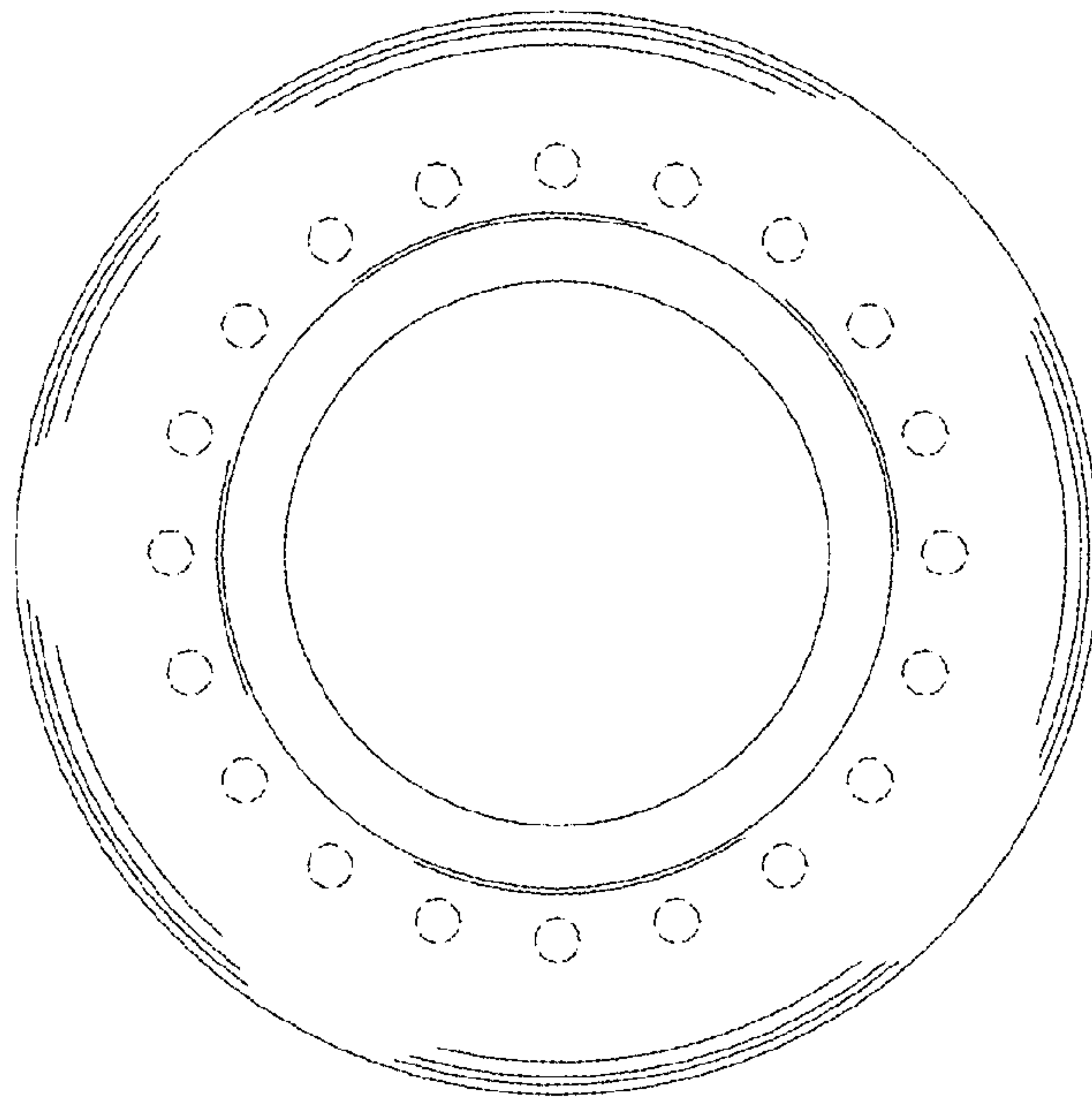


FIG. 4

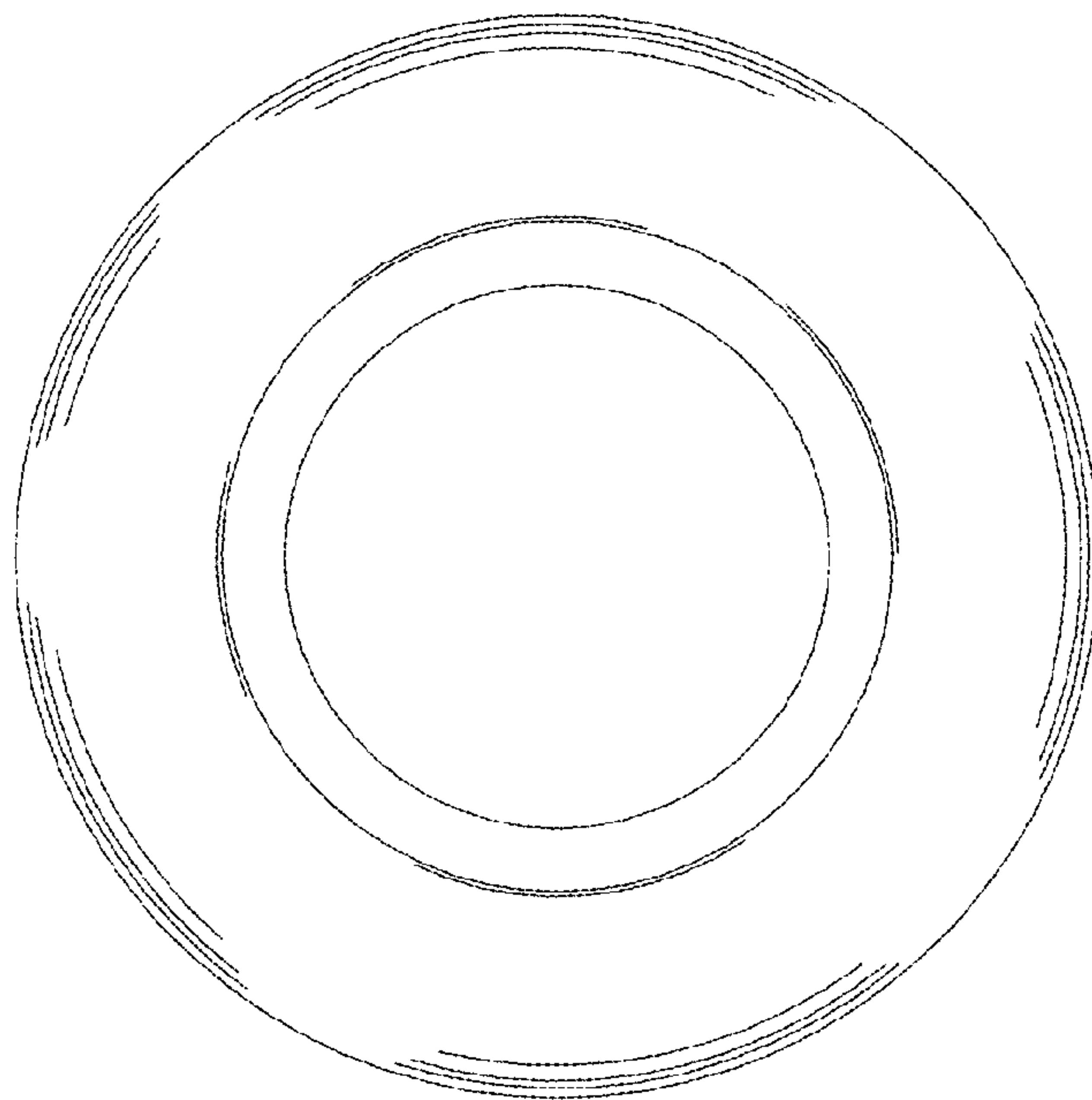


FIG. 5