



US00D767691S

(12) **United States Design Patent**
Wang

(10) **Patent No.:** **US D767,691 S**

(45) **Date of Patent:** **** Sep. 27, 2016**

(54) **TOY CAR**

(71) Applicant: **Howard Wang**, Hacienda Heights, CA
(US)

(72) Inventor: **Howard Wang**, Hacienda Heights, CA
(US)

(**) Term: **15 Years**

(21) Appl. No.: **29/541,652**

(22) Filed: **Oct. 6, 2015**

(51) **LOC (10) Cl.** **21-01**

(52) **U.S. Cl.**
USPC **D21/540**

(58) **Field of Classification Search**
USPC D21/425, 427, 540, 541; D12/19, 101,
D12/106

CPC A63H 21/00; A63H 21/04; A63H 19/00;
A63H 19/10; A63H 19/16; A63H 19/17;
A63H 19/18; A63H 19/24; A63H 19/36

See application file for complete search history.

(56) **References Cited**

U.S. PATENT DOCUMENTS

D128,493 S * 7/1941 Larrabee D21/541
2,939,245 A * 6/1960 Orel A63H 19/18
446/138

D381,709 S * 7/1997 Petersson D21/540
D389,535 S * 1/1998 Schulz D21/540
D469,132 S * 1/2003 Song D21/541
D484,195 S * 12/2003 Shippy D21/540
8,464,881 B2 * 6/2013 Rieskamp H01F 7/0242
213/75 R

* cited by examiner

Primary Examiner — Cynthia M Chin

(74) *Attorney, Agent, or Firm* — Clement Cheng

(57) **CLAIM**

The ornamental design for a toy car, as shown and described.

DESCRIPTION

FIG. 1 is a perspective view.

FIG. 2 is a front view.

FIG. 3 is a rear view.

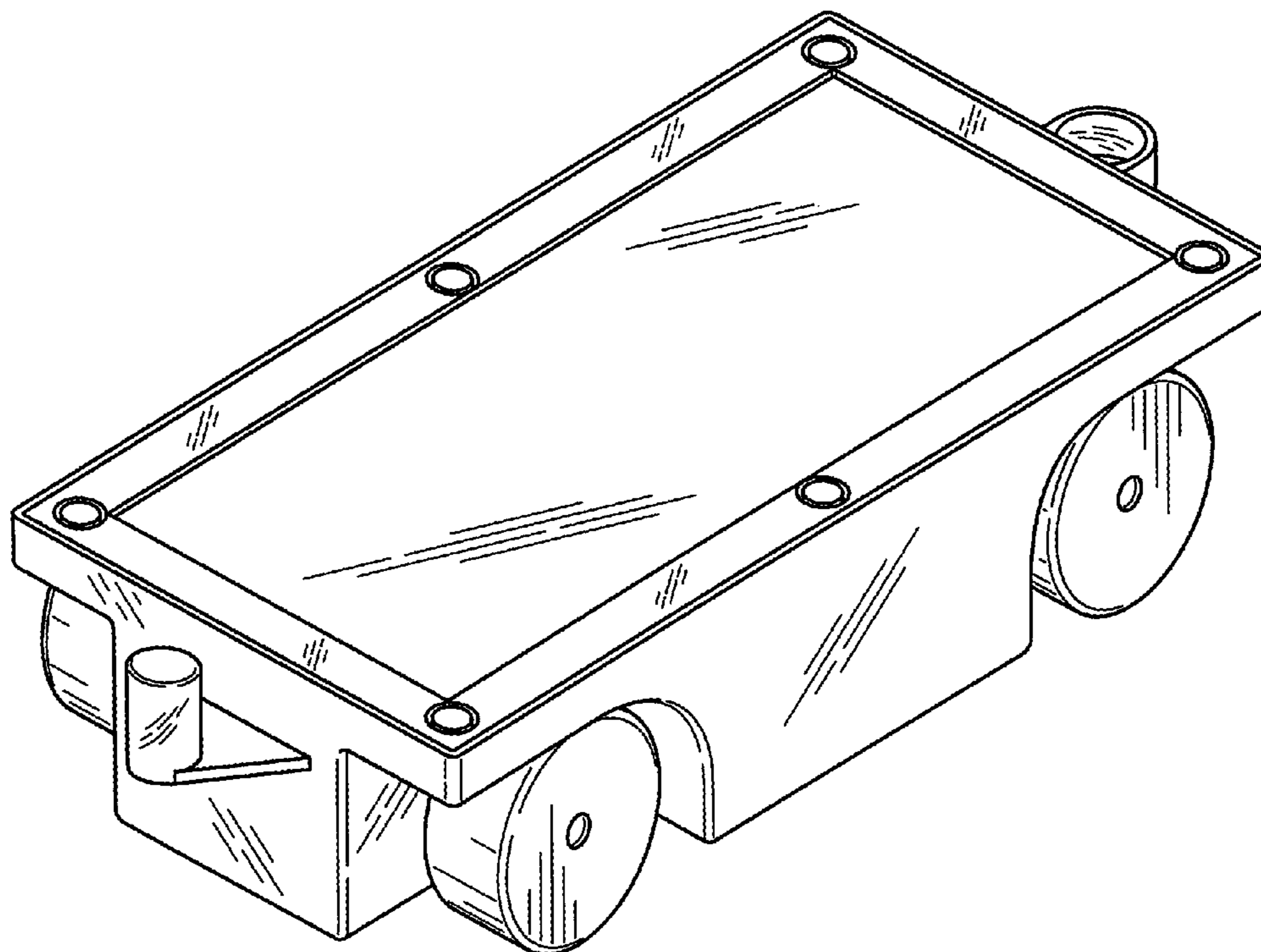
FIG. 4 is a left side view.

FIG. 5 is a right side view.

FIG. 6 is a top view; and,

FIG. 7 is a bottom view.

1 Claim, 4 Drawing Sheets



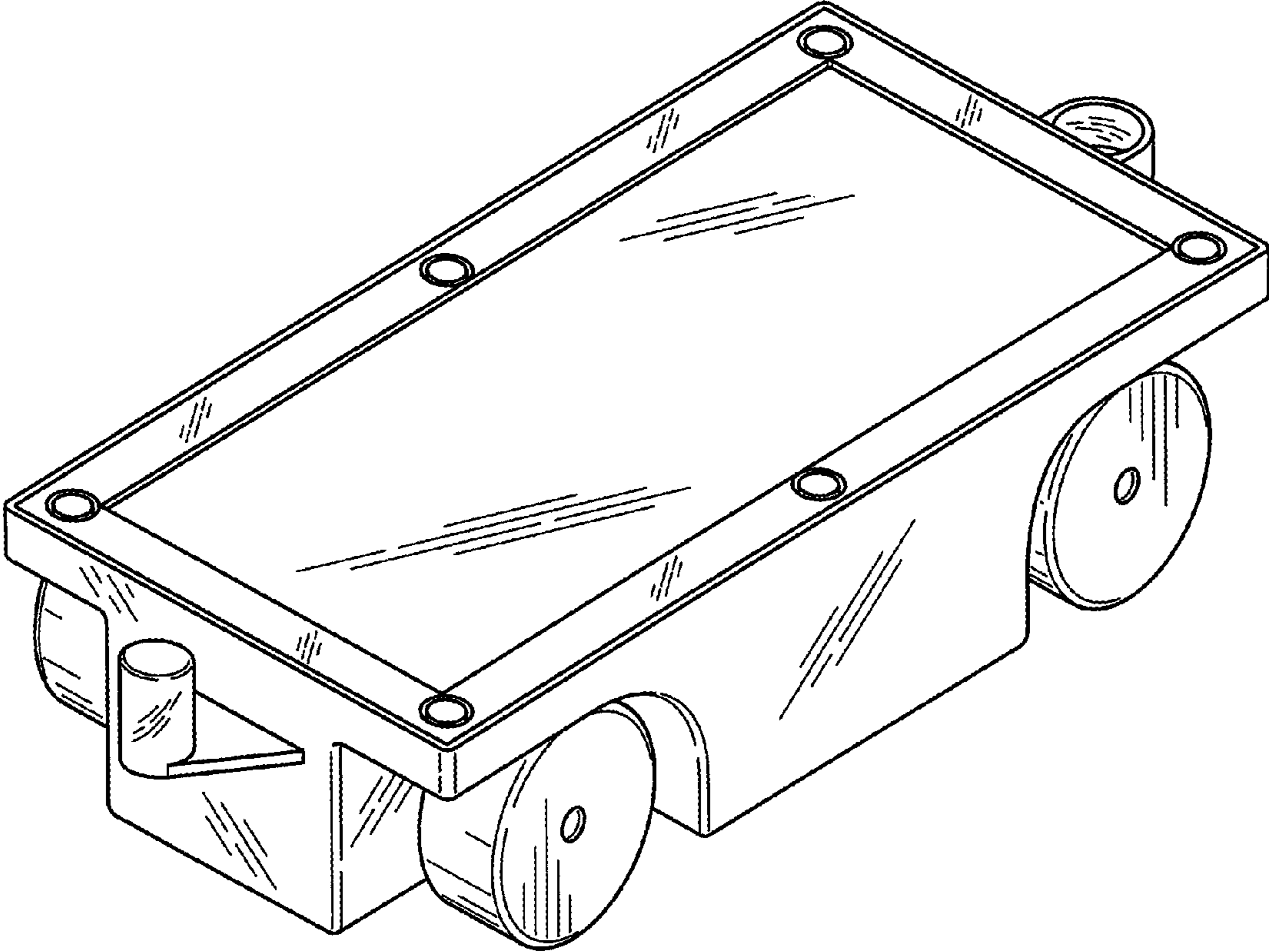


FIG. 1

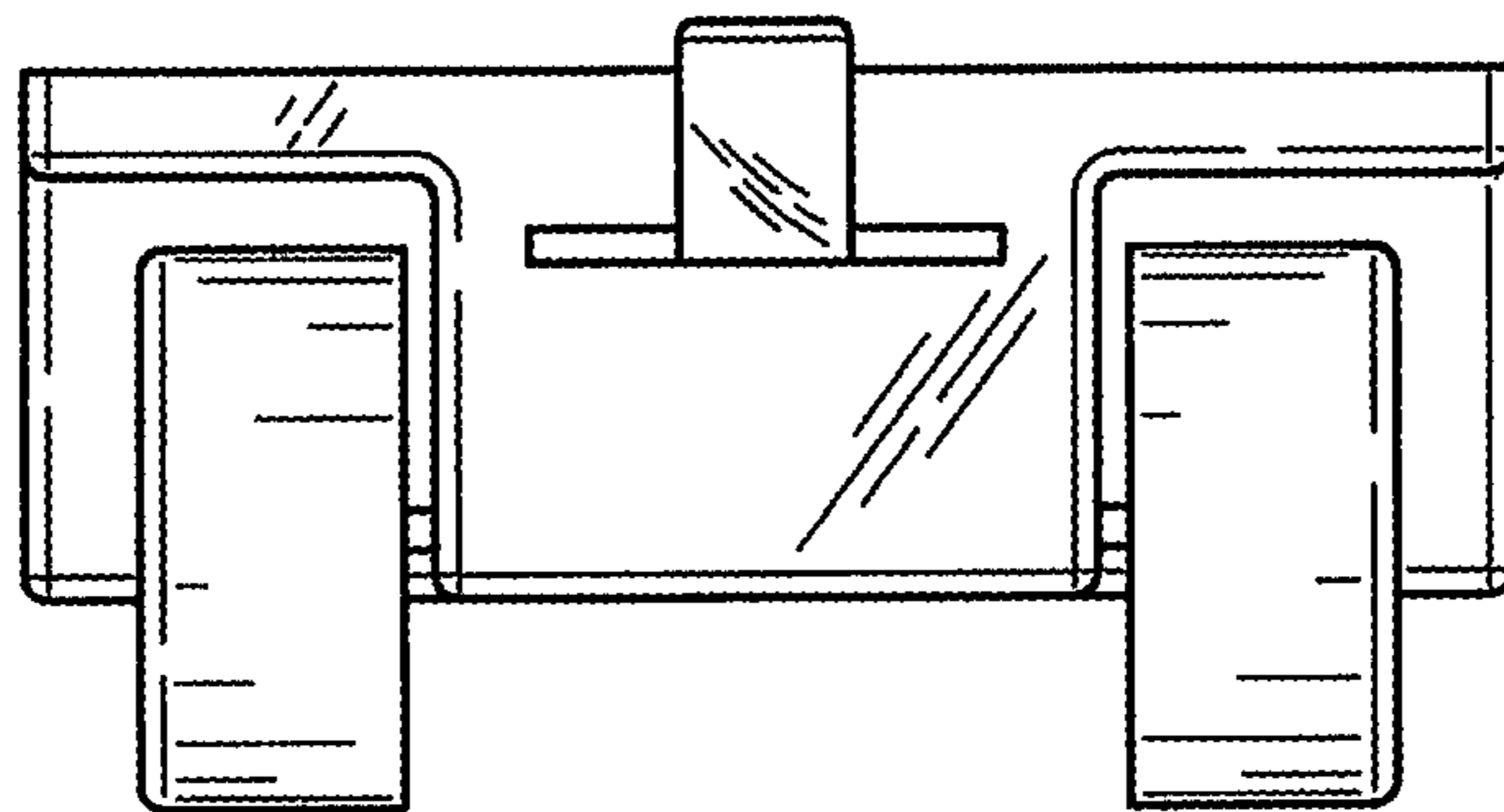


FIG. 2

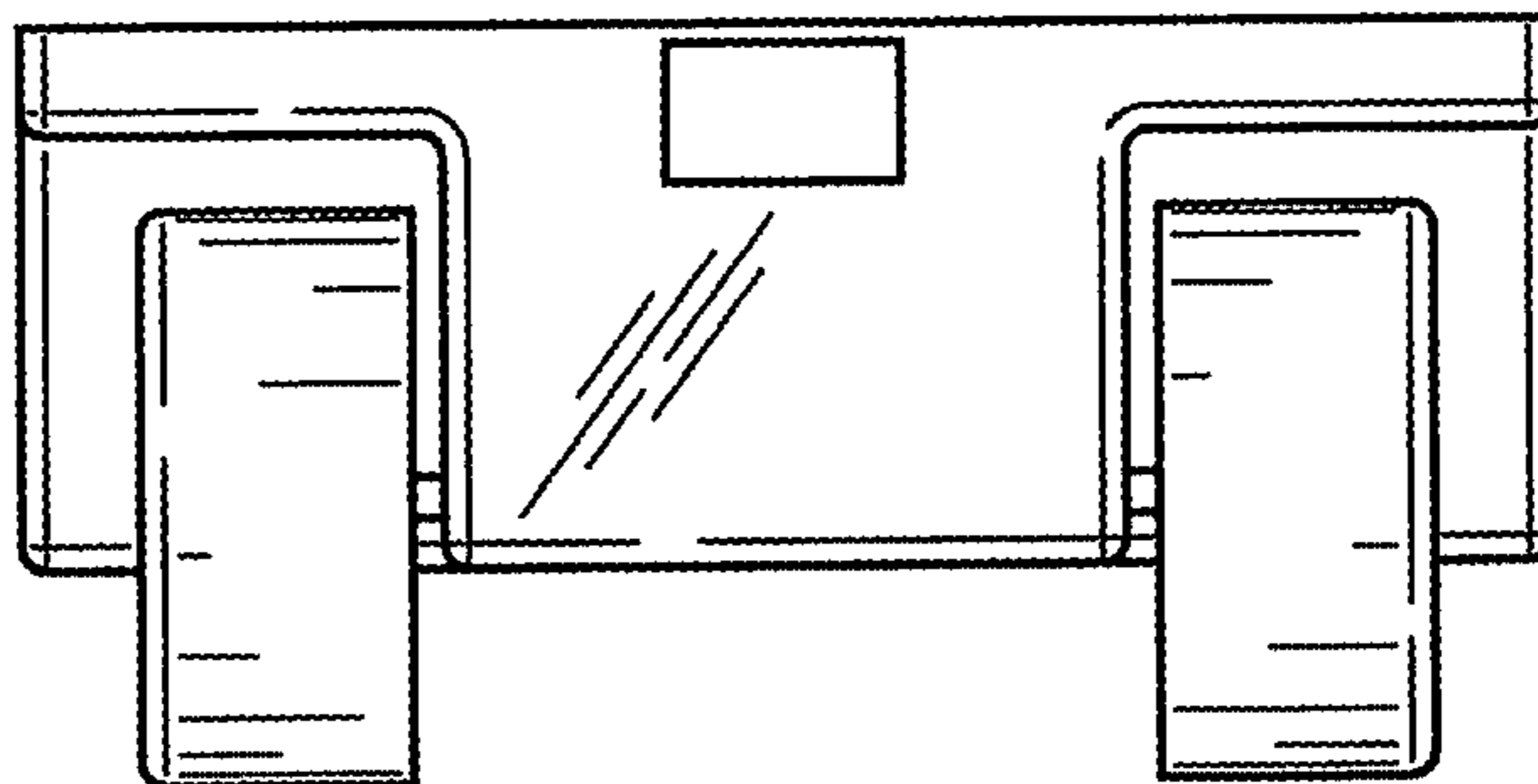


FIG. 3

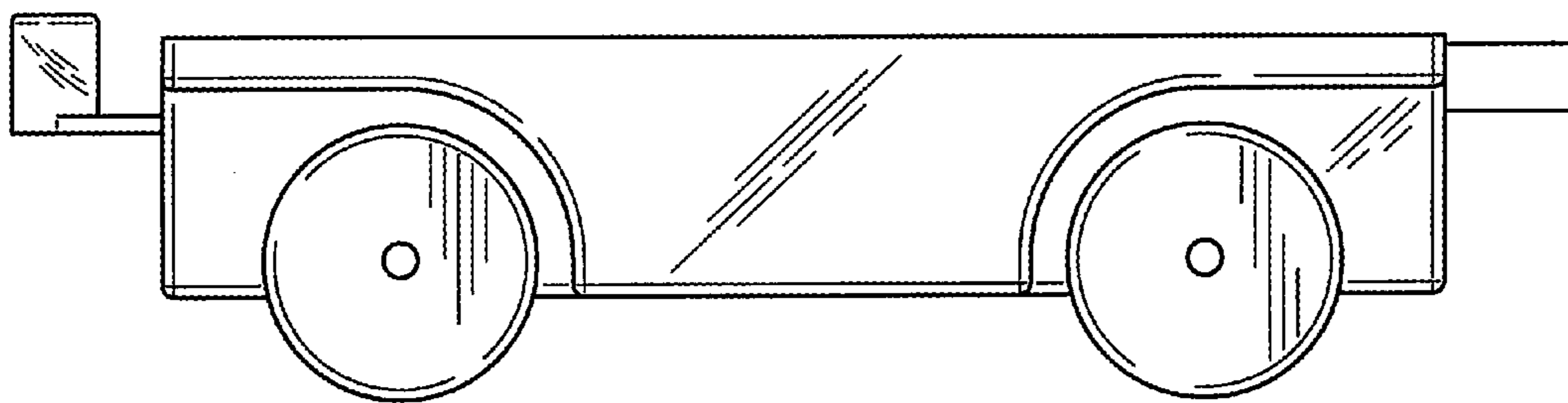


FIG. 4

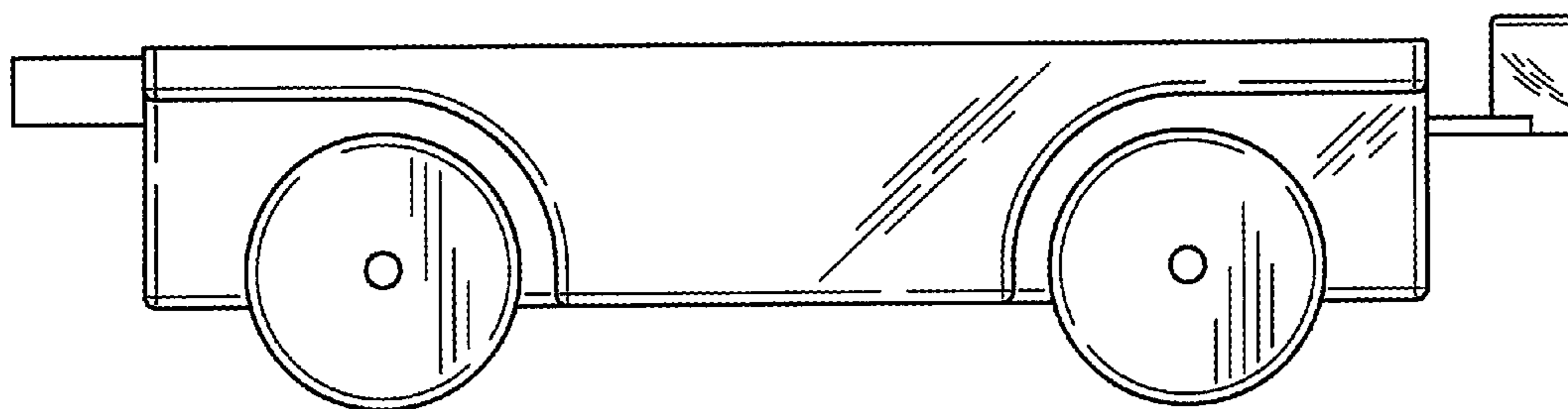


FIG. 5

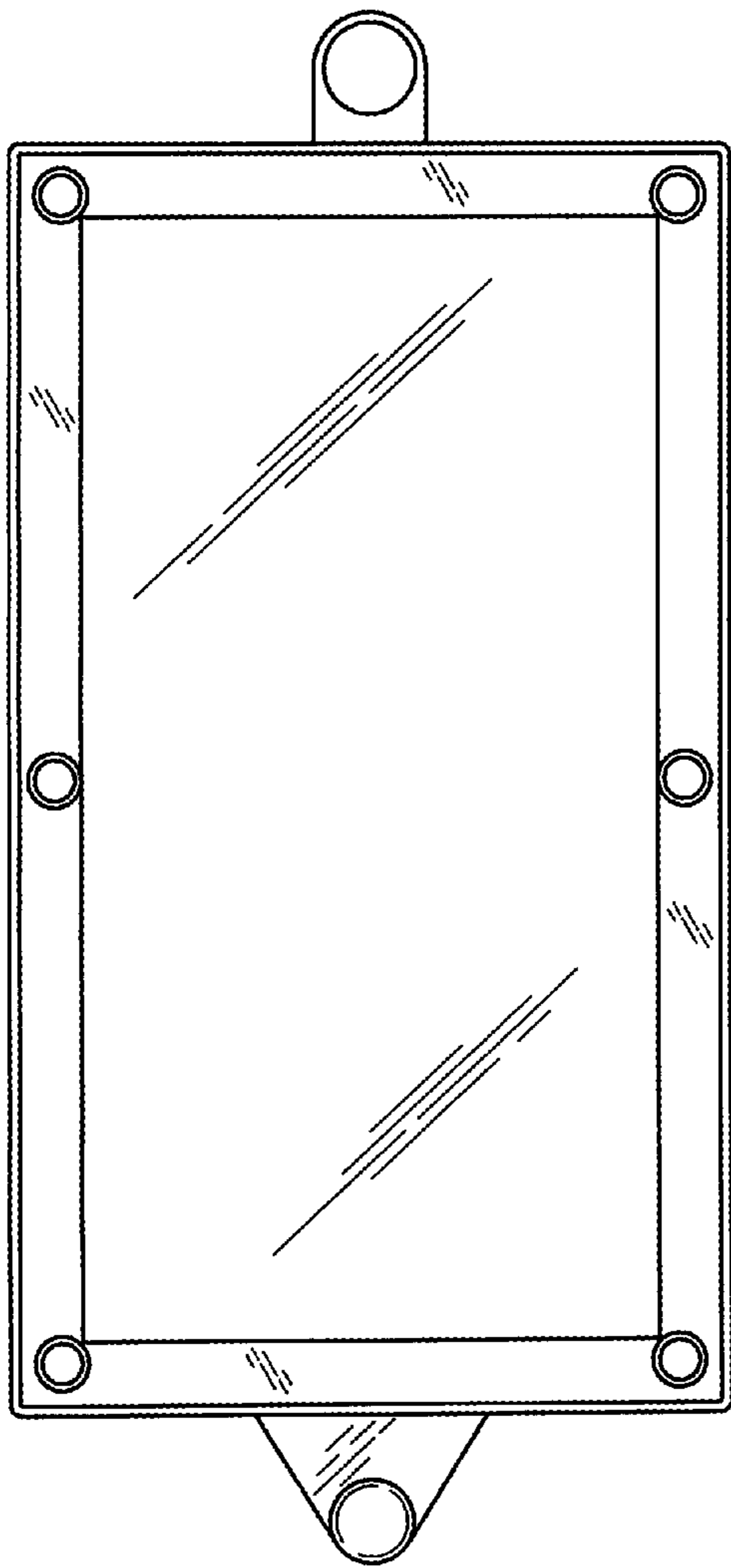


FIG. 6

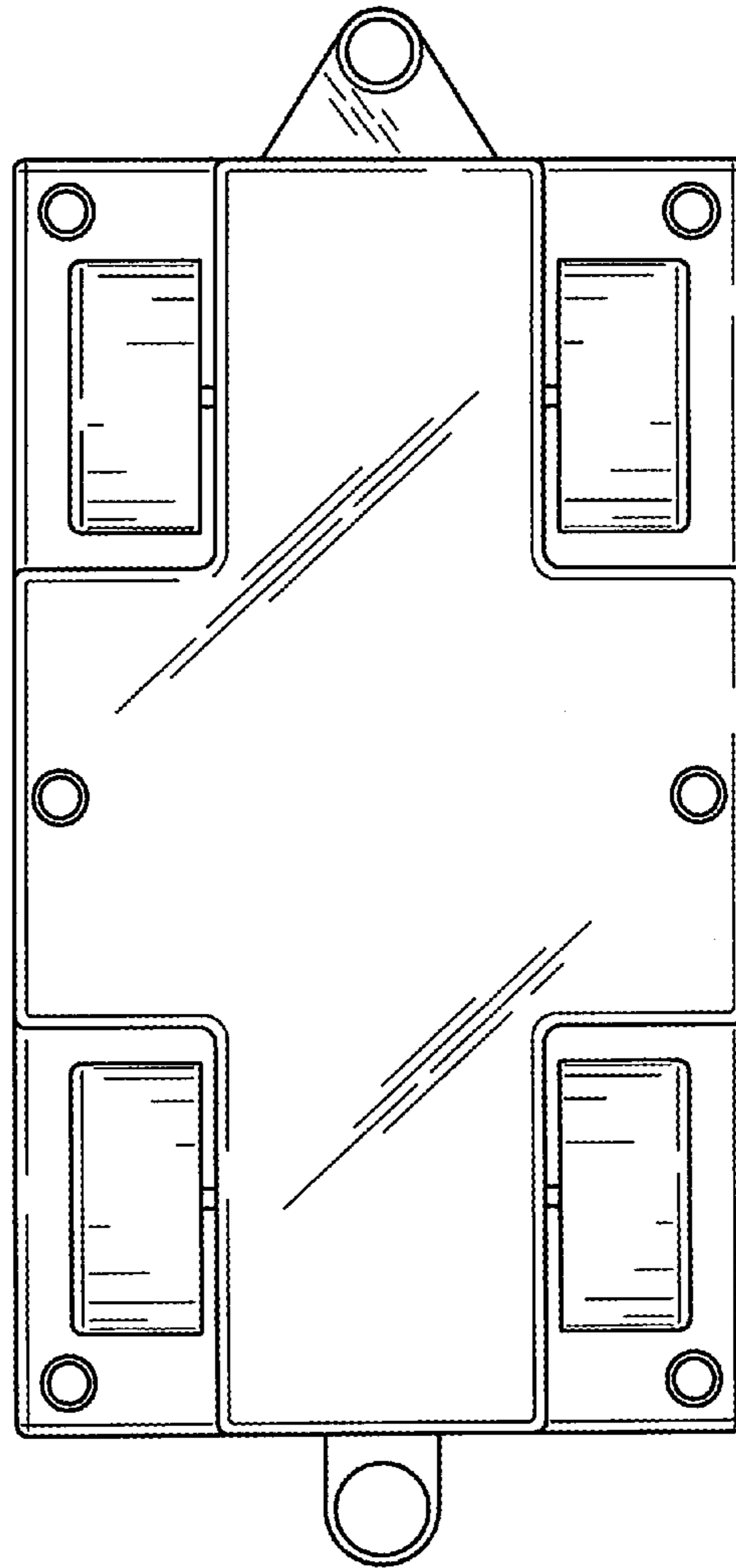


FIG. 7