



US00D767690S

(12) **United States Design Patent**  
**Ewringmann**

(10) **Patent No.:** **US D767,690 S**

(45) **Date of Patent:** **\*\* Sep. 27, 2016**

(54) **EXCAVATOR FOR CHILDREN**

(71) Applicant: **Franz Schneider GmbH & Co. KG,**  
Coburg (DE)

(72) Inventor: **Ulrich Ewringmann,** Taufkirchen (DE)

(73) Assignee: **Franz Schneider GMBH & Co. KG,**  
Coburg (DE)

(\*\*) Term: **14 Years**

(21) Appl. No.: **29/526,171**

(22) Filed: **May 7, 2015**

(30) **Foreign Application Priority Data**

Dec. 22, 2014 (EM) ..... 002603456-0001

(51) **LOC (10) Cl.** ..... **21-01**

(52) **U.S. Cl.**  
USPC ..... **D21/431; D21/537**

(58) **Field of Classification Search**  
USPC ..... D21/419, 426, 431, 537, 539, 556, 833;  
D12/132; D15/24, 25  
CPC ..... A63H 17/00; A63H 17/12; A63H 17/14  
See application file for complete search history.

(56) **References Cited**

**U.S. PATENT DOCUMENTS**

D211,805 S \* 7/1968 Genin ..... D21/537  
D228,358 S \* 9/1973 Wormser et al. .... D21/419  
D243,267 S \* 2/1977 Breneman ..... D21/537  
D258,298 S \* 2/1981 Gustafsson ..... D21/537

D261,787 S \* 11/1981 Breneman ..... D21/537  
D267,100 S \* 11/1982 Magnusson ..... D21/431  
D288,341 S \* 2/1987 Ohno ..... D21/580  
D359,769 S \* 6/1995 Goncalves ..... D21/537  
D384,997 S \* 10/1997 Digges ..... D21/431  
D398,944 S \* 9/1998 Park ..... D21/537  
D435,882 S \* 1/2001 Pedersen ..... D21/833  
6,637,759 B2 \* 10/2003 Jones ..... B62K 9/00  
280/1.188  
D536,475 S \* 2/2007 Nunes ..... D26/97

\* cited by examiner

*Primary Examiner* — Cynthia M Chin

(74) *Attorney, Agent, or Firm* — Greer, Burns & Crain, Ltd.

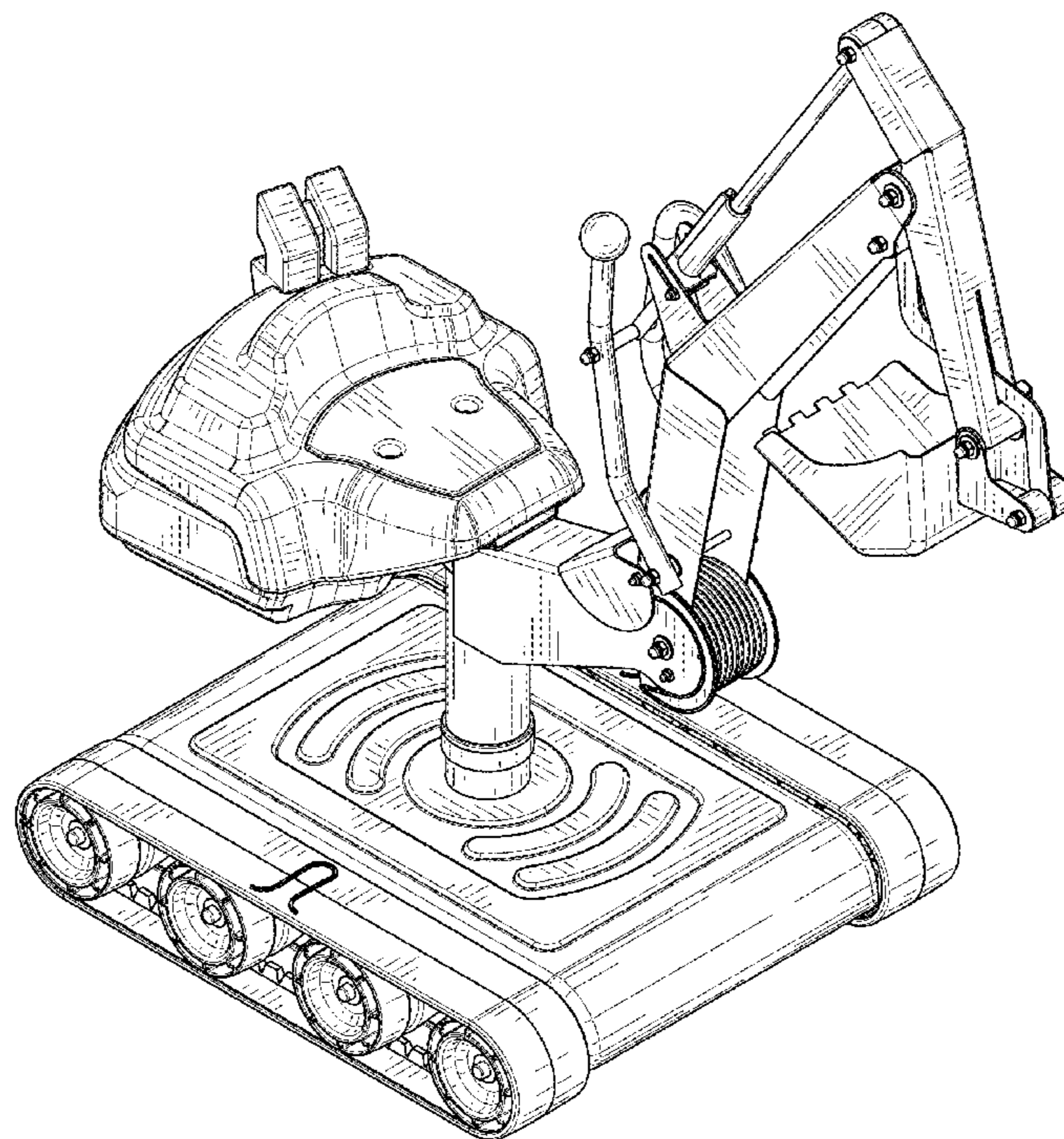
(57) **CLAIM**

The ornamental design for an excavator for children, as shown and described.

**DESCRIPTION**

FIG. 1 is a front perspective view of an excavator for children showing my new design;  
FIG. 2 is a rear perspective view thereof;  
FIG. 3 is a first side elevational view thereof;  
FIG. 4 is a front elevational view thereof;  
FIG. 5 is an opposite side elevational view thereof;  
FIG. 6 is a rear elevational view thereof;  
FIG. 7 is a top plan view thereof; and,  
FIG. 8 is a bottom plan view thereof.  
The broken lines in FIGS. 3, 5 & 8 represent portions of the excavator for children that form no part of the claimed design.

**1 Claim, 8 Drawing Sheets**



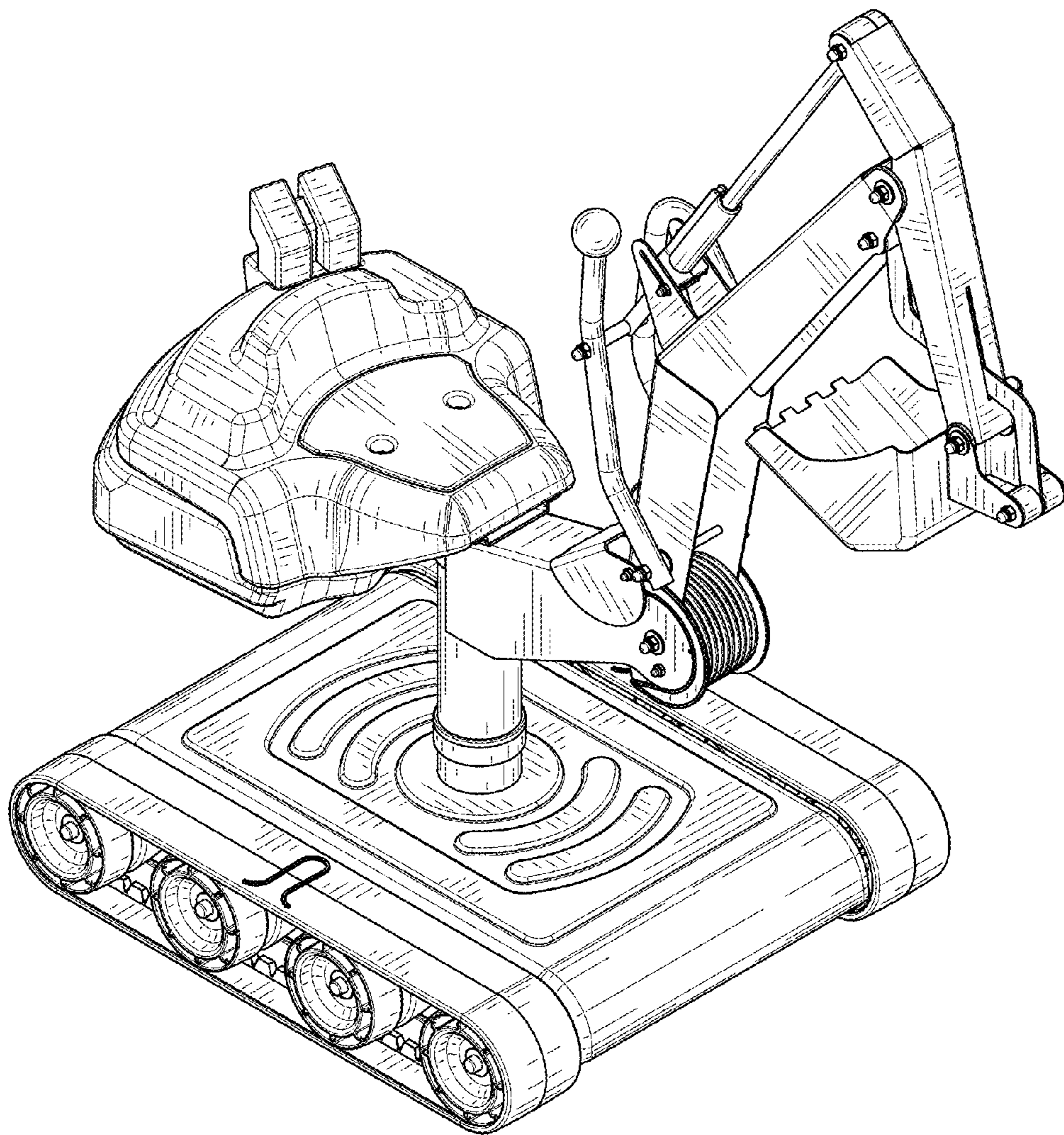


FIG. 1

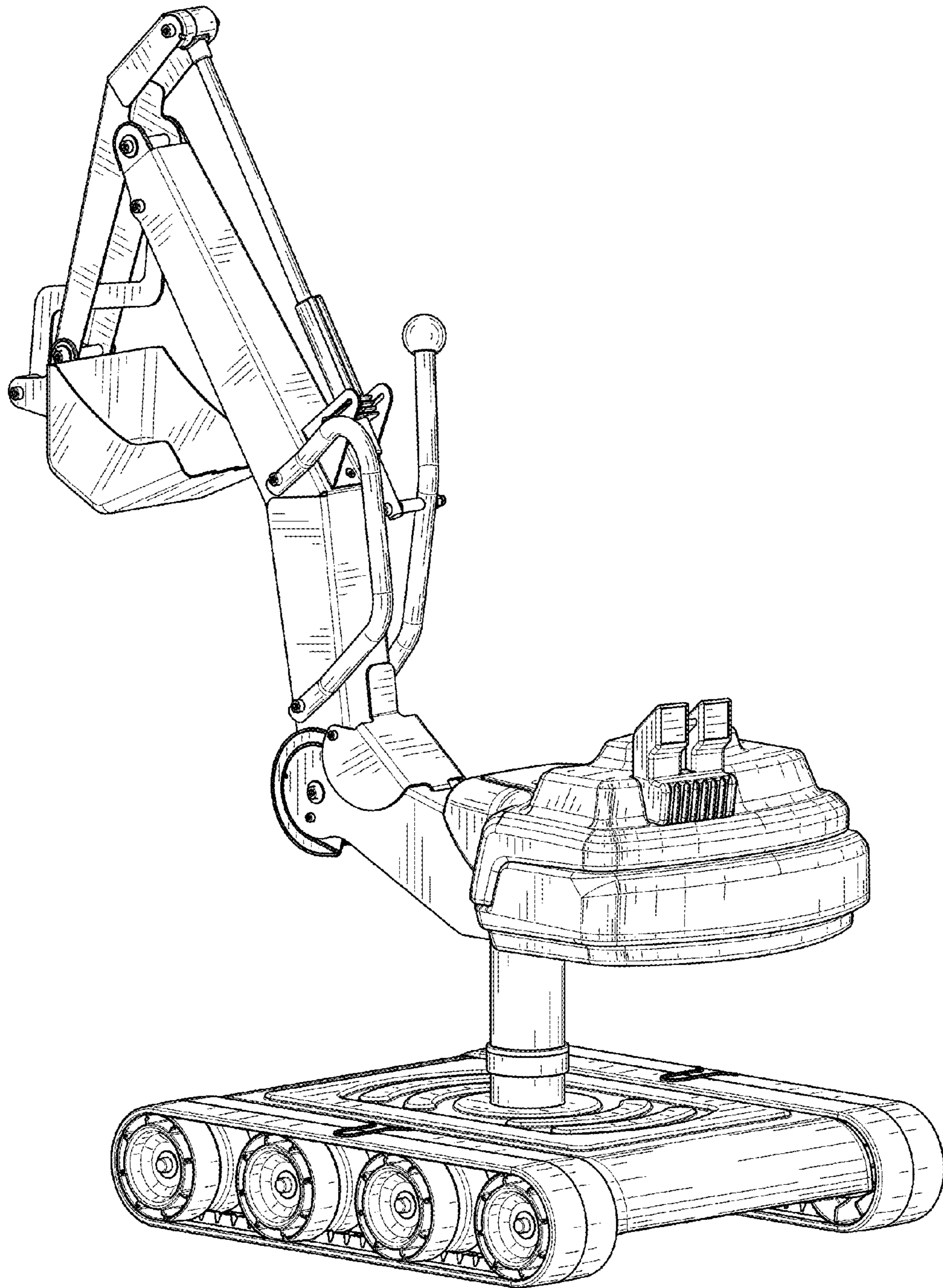


FIG. 2

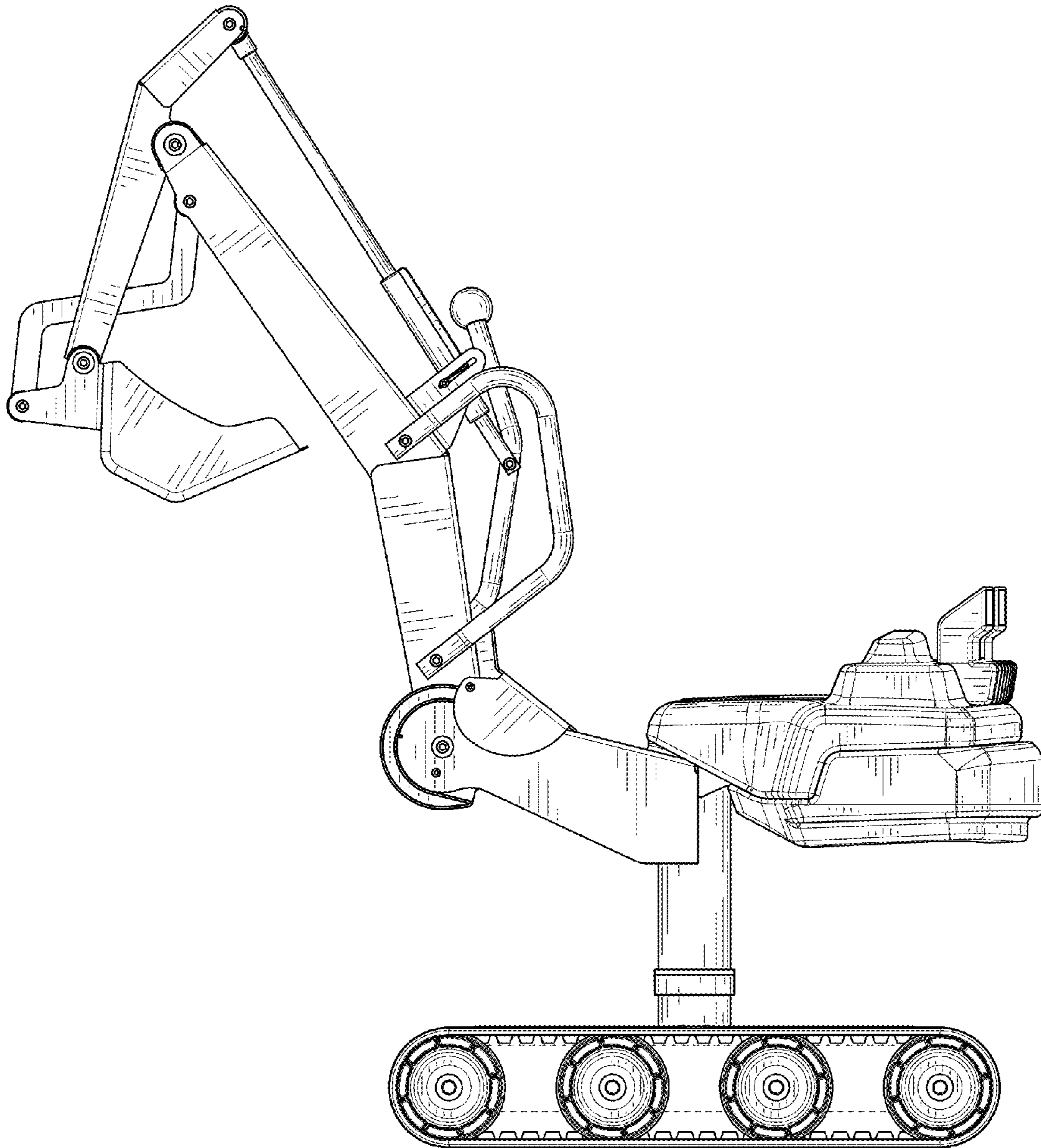


FIG. 3

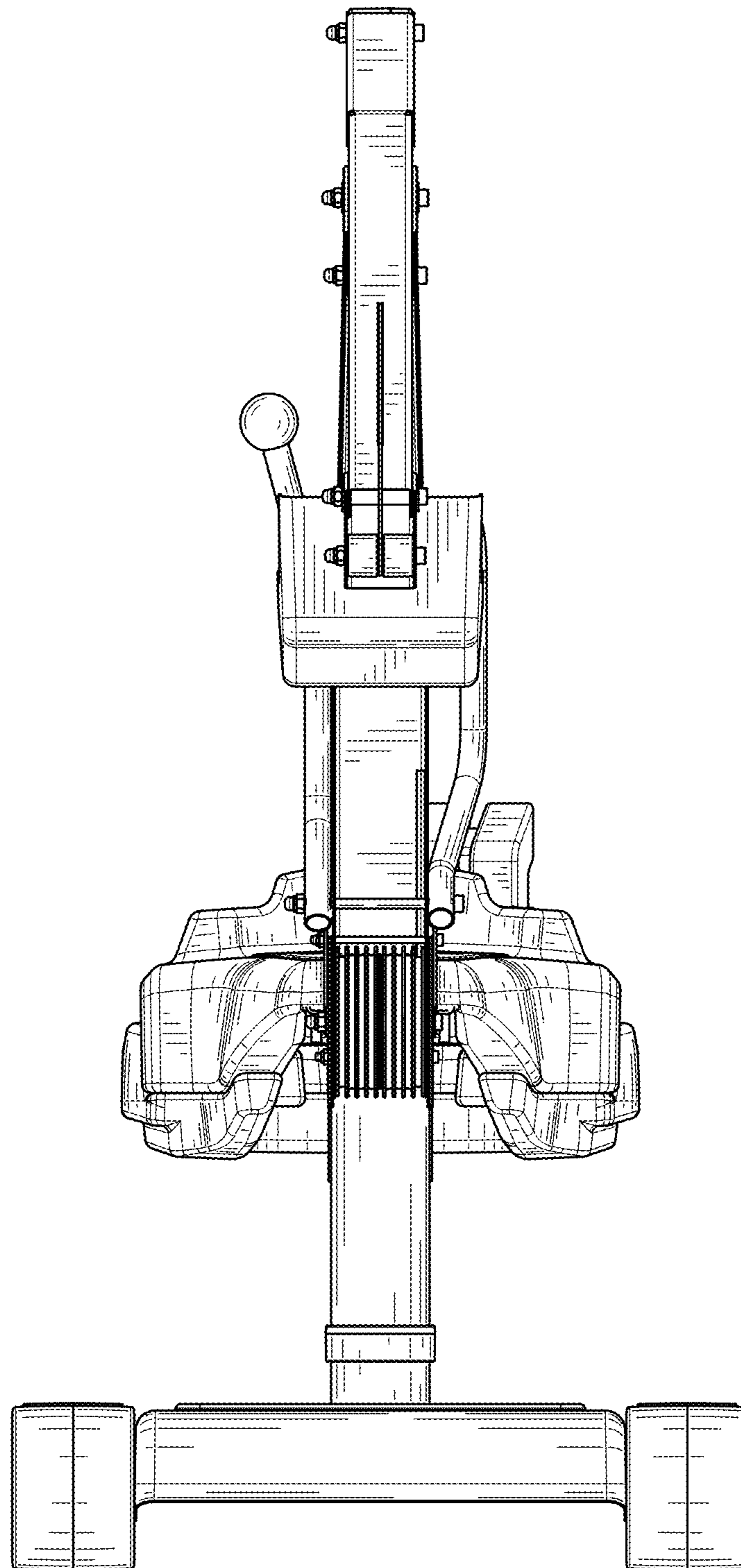


FIG. 4

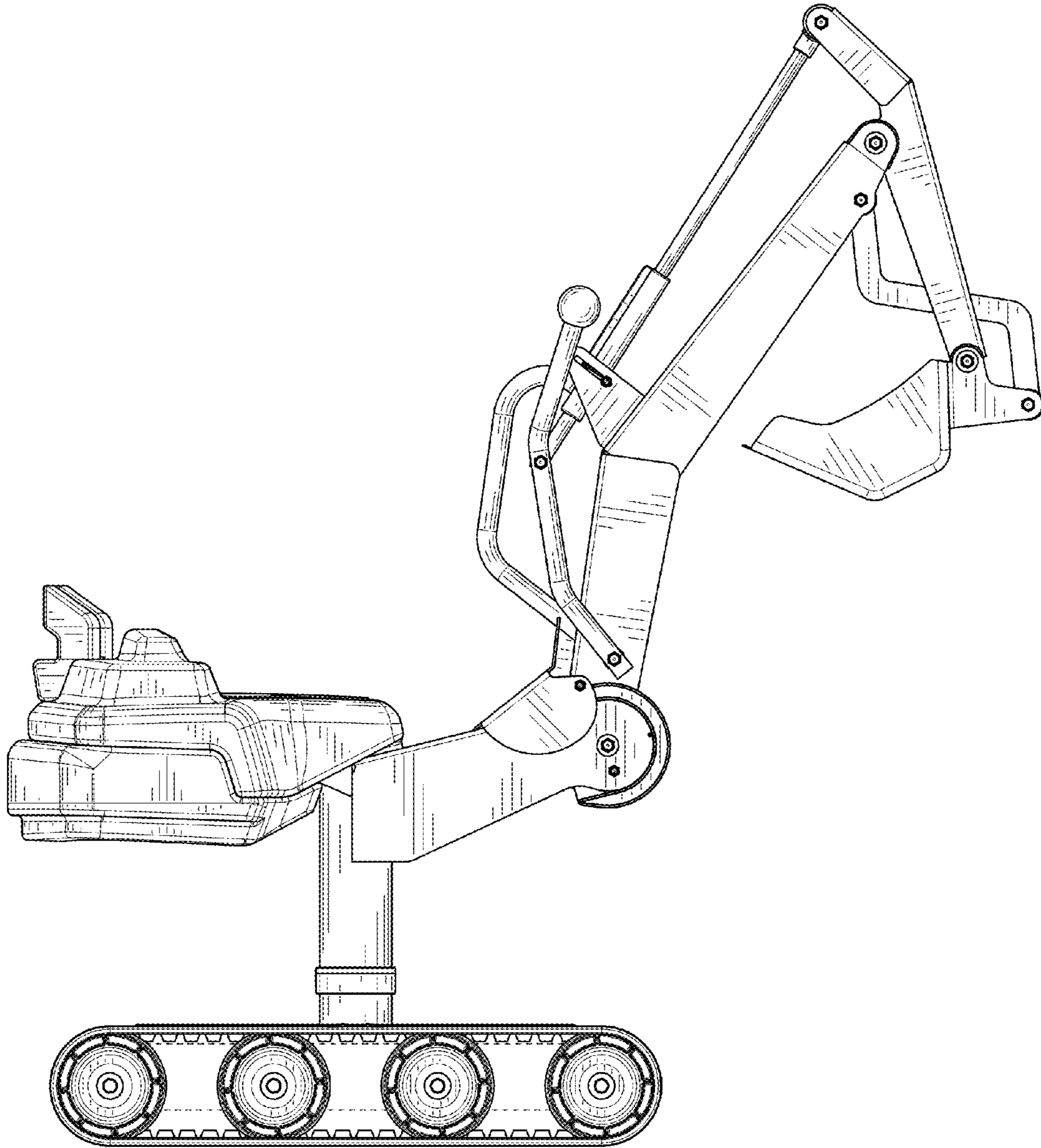


FIG. 5

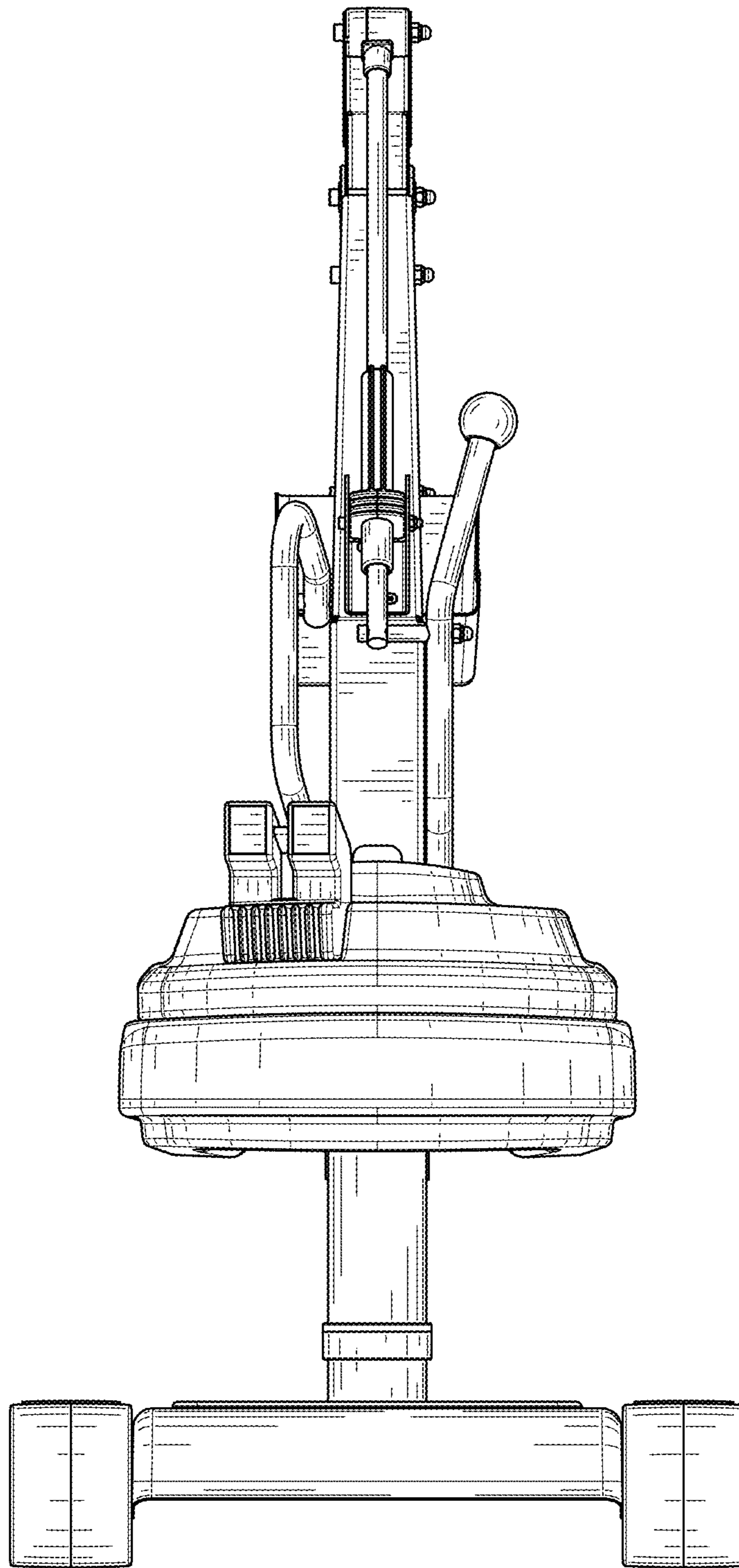


FIG. 6

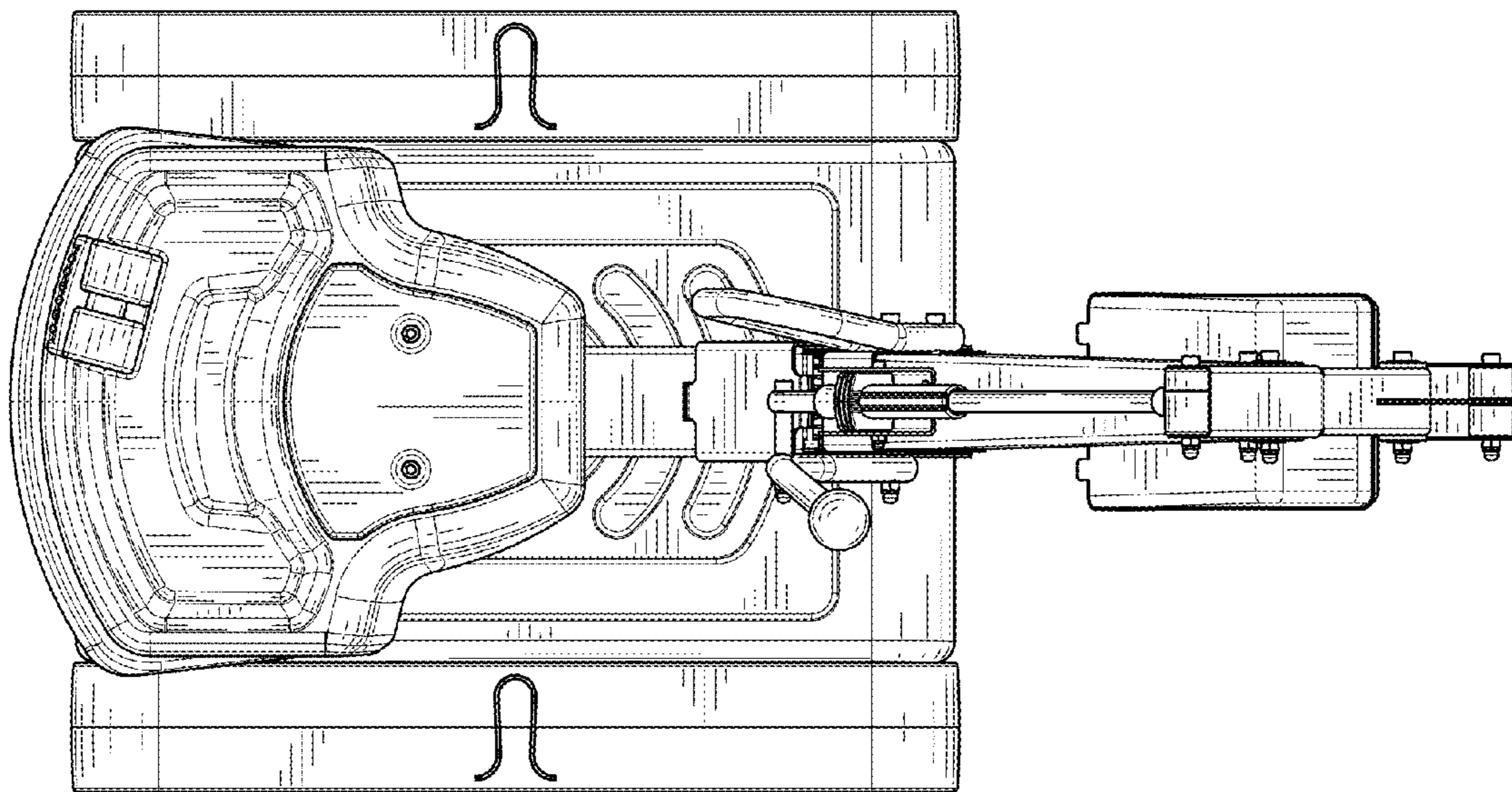


FIG. 7



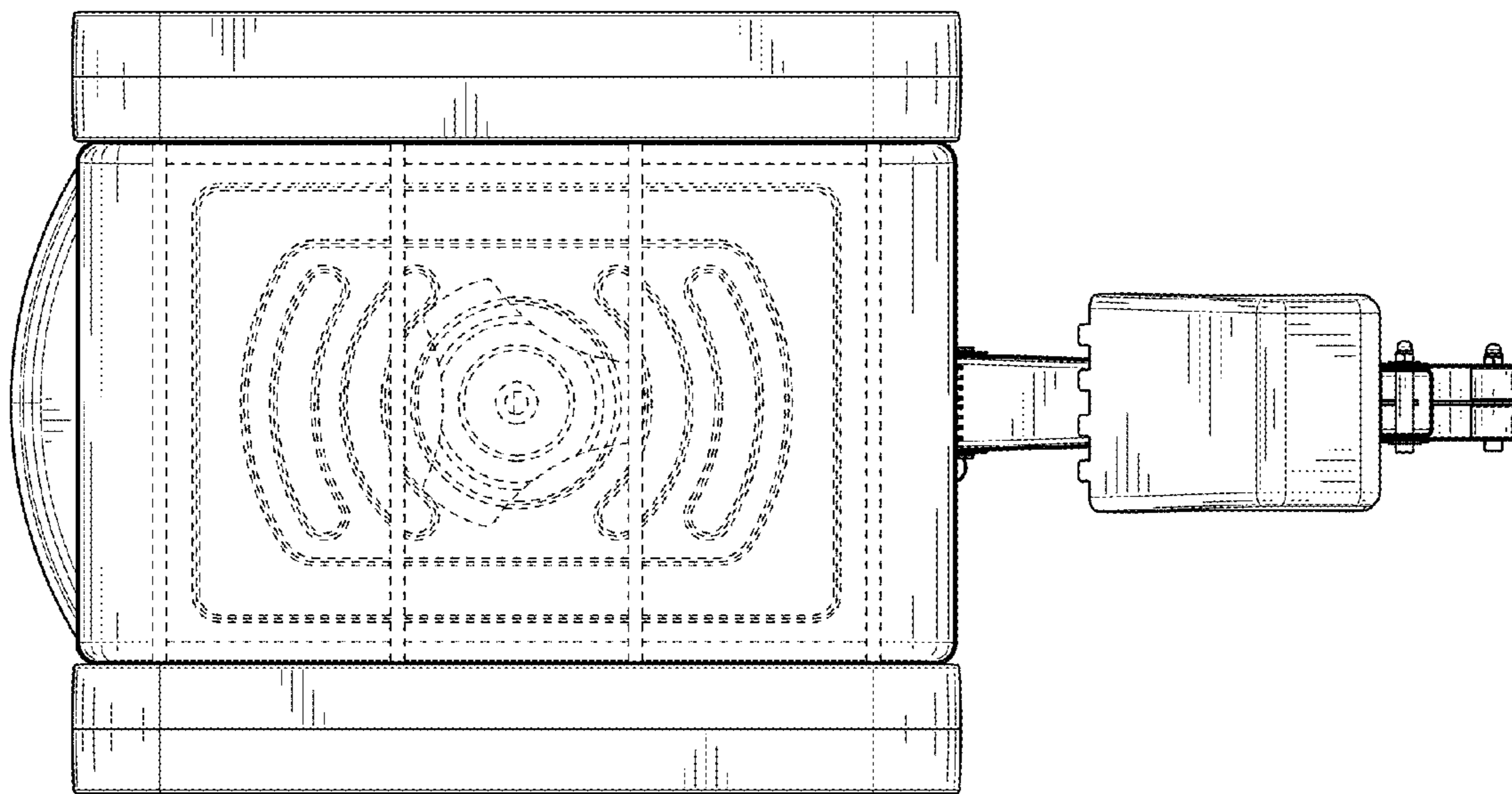


FIG. 8