

US00D767689S

(12) **United States Design Patent**
Výkruta

(10) **Patent No.:** **US D767,689 S**

(45) **Date of Patent:** **** Sep. 27, 2016**

- (54) **KICK SCOOTER FRAME**
- (71) Applicant: **Petr Výkruta**, Prague (CZ)
- (72) Inventor: **Petr Výkruta**, Prague (CZ)
- (**) Term: **15 Years**
- (21) Appl. No.: **29/537,708**
- (22) Filed: **Aug. 28, 2015**
- (51) **LOC (10) Cl.** **21-01**
- (52) **U.S. Cl.**
USPC **D21/423**
- (58) **Field of Classification Search**
USPC D21/419, 421, 423, 426-428, 435,
D21/668-671, 760, 765, 771; D12/1, 8,
D12/108, 111, 112, 113
CPC B62K 3/002; B62K 9/00; B62K 9/02;
B62K 13/00; B62K 2202/00
See application file for complete search history.

6,273,439	B1 *	8/2001	Ray	B62K 3/002	280/63
D476,041	S *	6/2003	Phillips	D12/110	
D481,422	S *	10/2003	Chen	D21/423	
D507,605	S *	7/2005	Iavarone	D21/423	
D513,772	S *	1/2006	Otis	D21/423	
D527,771	S *	9/2006	Iavarone	D21/423	
D533,231	S *	12/2006	Swisher	D21/423	
D721,990	S *	2/2015	Lugo	D12/111	
D755,899	S *	5/2016	Castrucci	D21/423	
2008/0246248	A1 *	10/2008	Rabadi	B62K 3/002	280/281.1

* cited by examiner

Primary Examiner — Cynthia M Chin

(74) *Attorney, Agent, or Firm* — Gary E. Lambert; David J. Connaughton, Jr.; Lambert & Associates

(57) **CLAIM**

The ornamental design for a kick scooter frame, as shown and described.

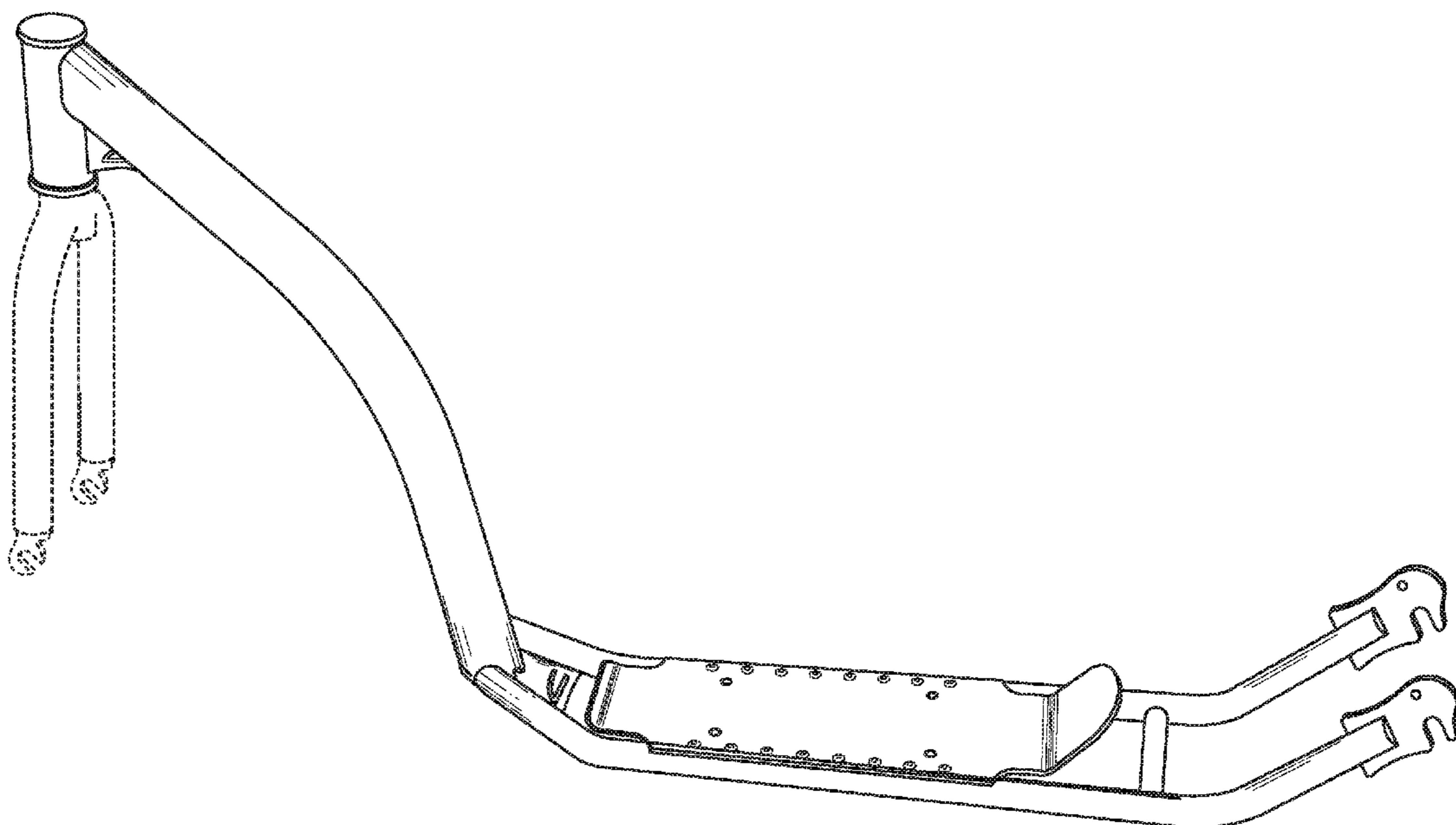
DESCRIPTION

FIG. 1 is a side view of the kick scooter frame, which embodies my design shown in use;
 FIG. 2 is a top isometric view of the kick scooter frame;
 FIG. 3 is a right side view of the kick scooter frame;
 FIG. 4 is a front side view of the kick scooter frame;
 FIG. 5 is a back side view of the kick scooter frame;
 FIG. 6 is a top plan view of the kick scooter frame; and,
 FIG. 7 is a bottom plan view of the kick scooter frame.
 The handle bars, front fork, and wheels depicted by broken lines in all figures have been shown for the purpose of illustrating environmental features that forms no part of the claimed design.

1 Claim, 5 Drawing Sheets

(56) **References Cited**
 U.S. PATENT DOCUMENTS

D221,965	S *	9/1971	La Jeunesse	D21/423
D295,428	S *	4/1988	Cummings	D21/423
D295,989	S *	5/1988	Cummings	D21/423
D300,756	S *	4/1989	Cummings	D21/423
D312,485	S *	11/1990	Turner	D21/423
5,470,089	A *	11/1995	Whitson	B62K 3/002
				280/264
D392,001	S *	3/1998	Chen	D12/111
5,899,474	A *	5/1999	Grutzik	B62K 3/002
				280/229
5,992,864	A *	11/1999	Dickson	B62K 3/002
				280/87.041



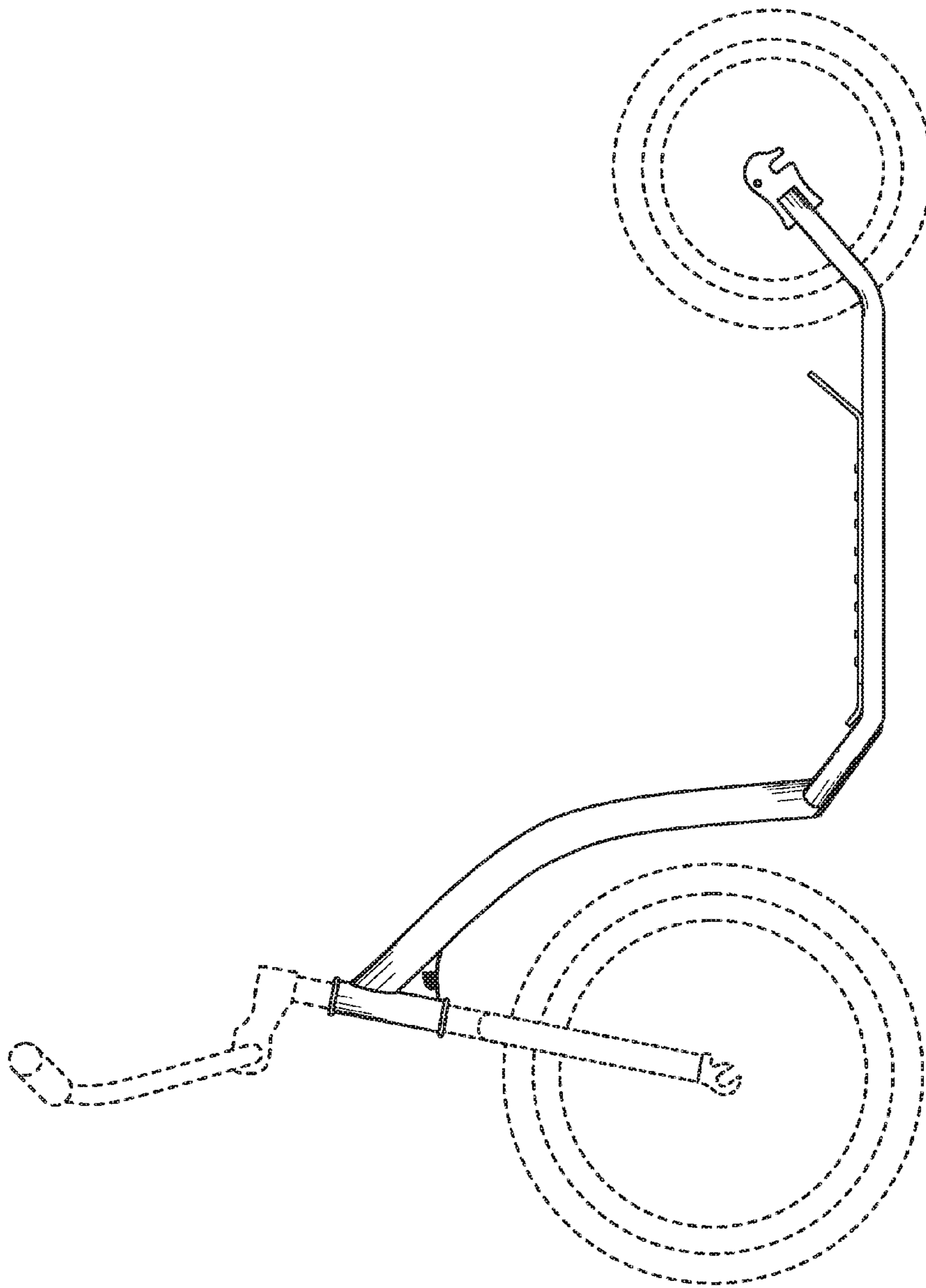


Fig. 1

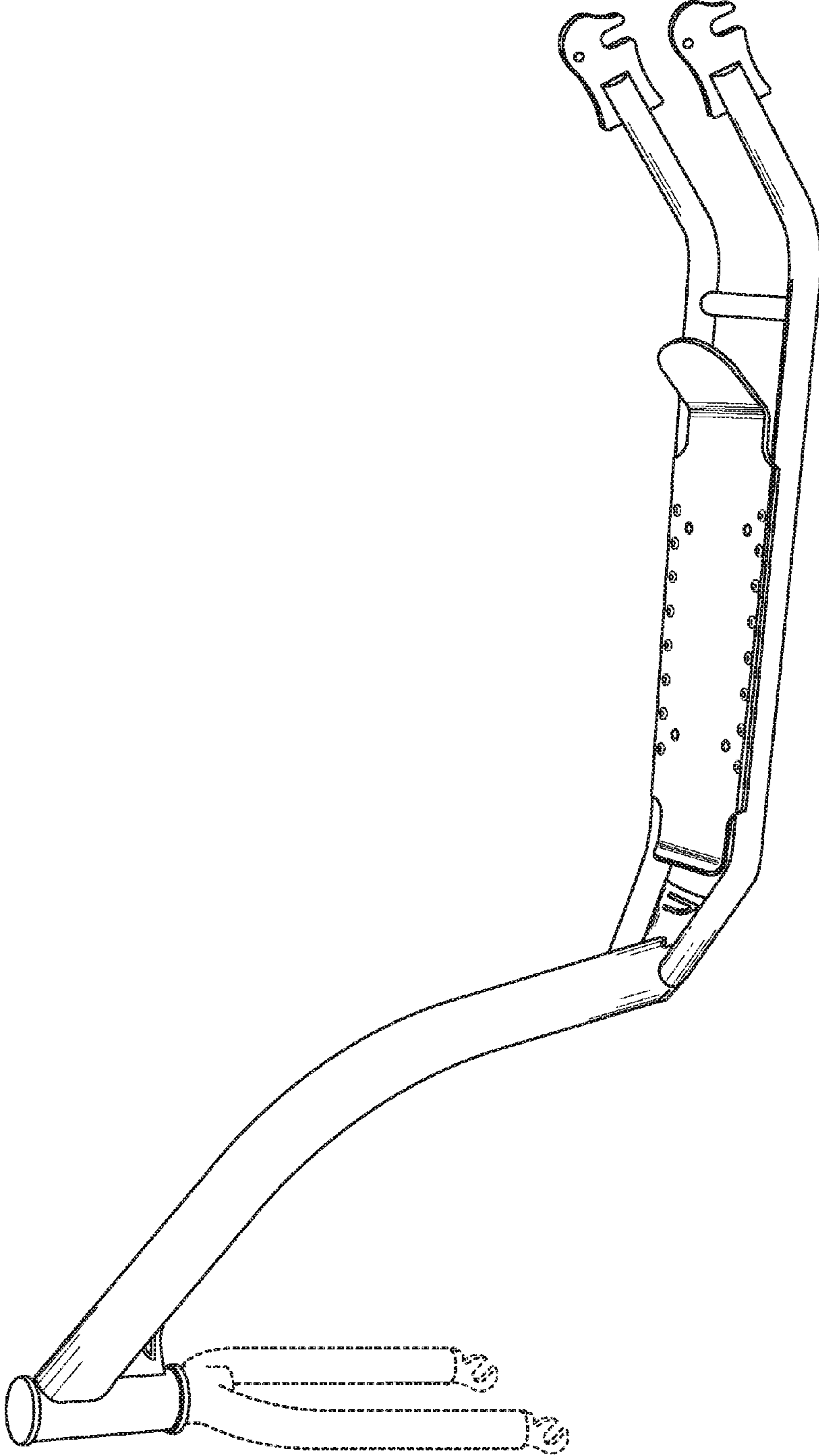


Fig. 2

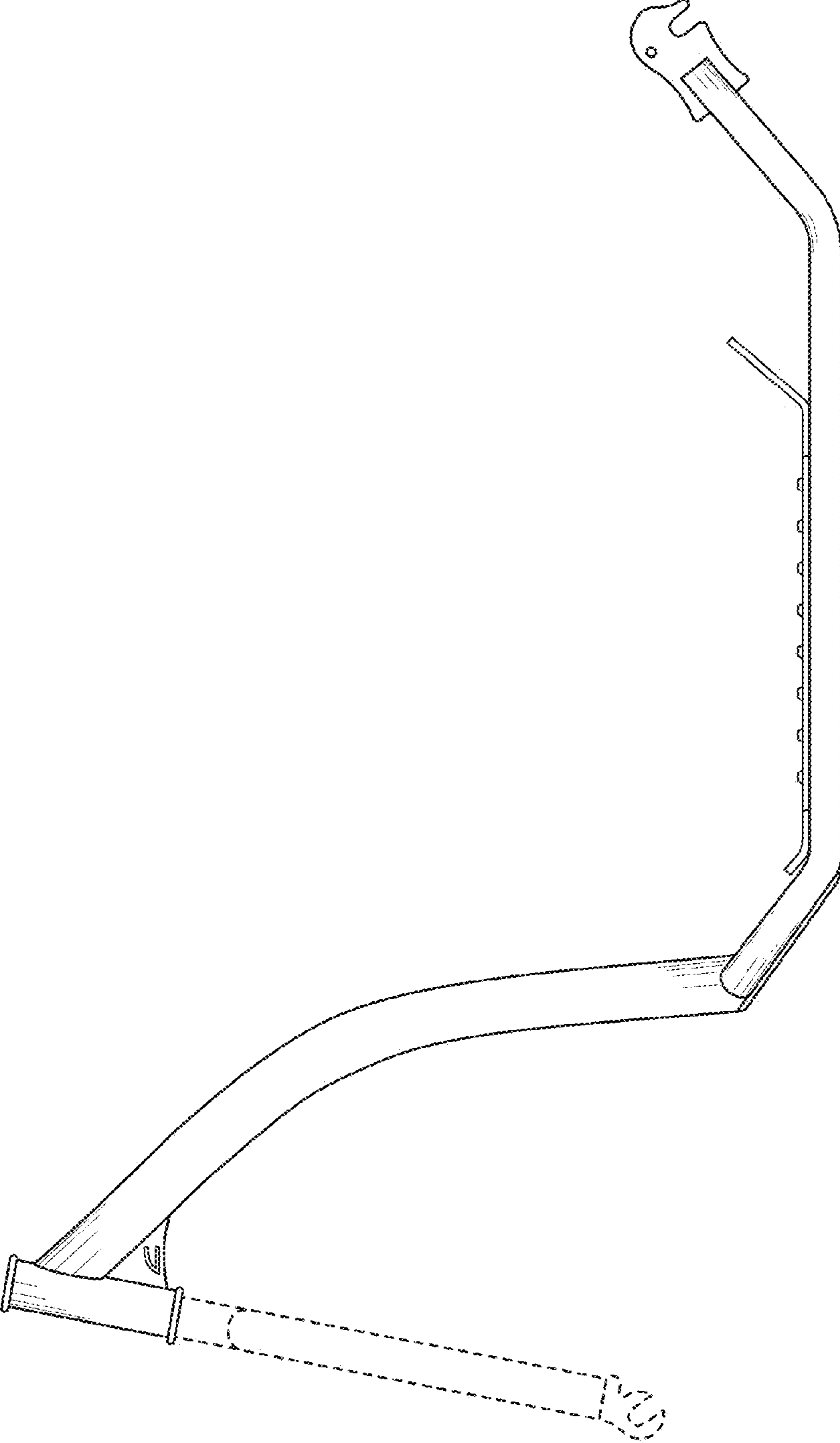


Fig. 3

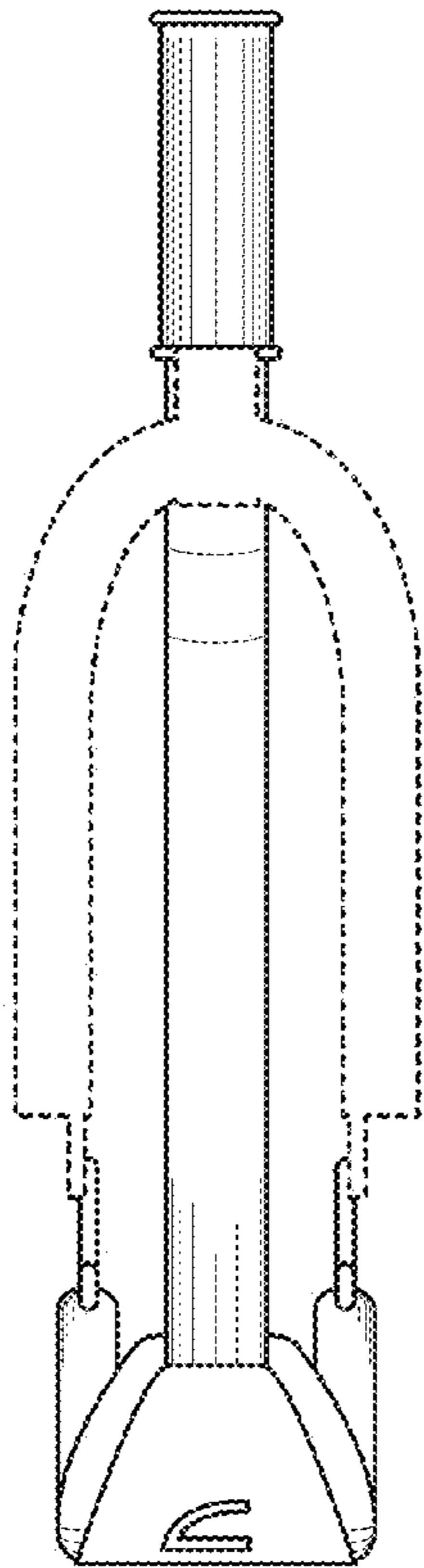


Fig. 4

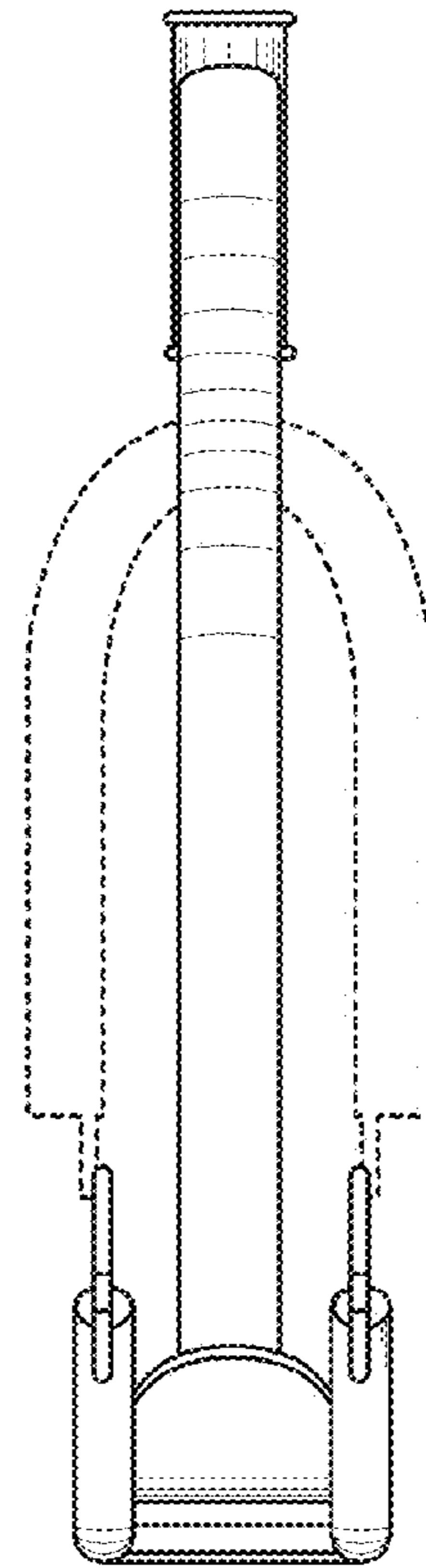


Fig. 5

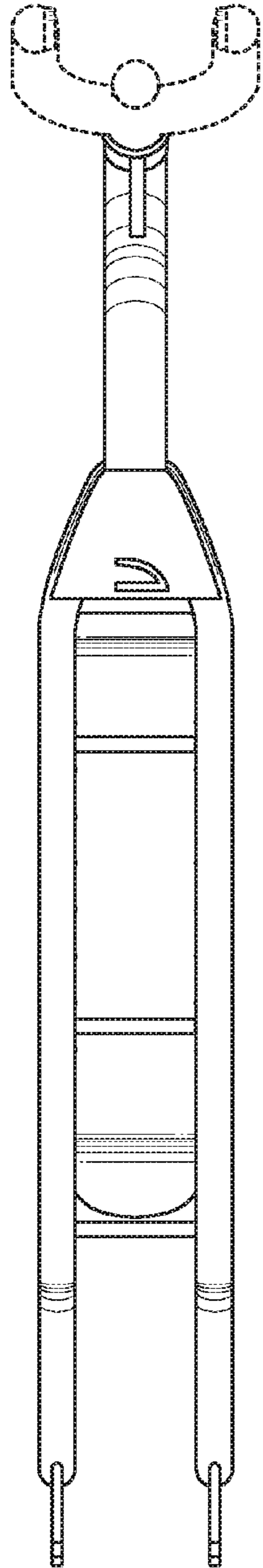


Fig. 6

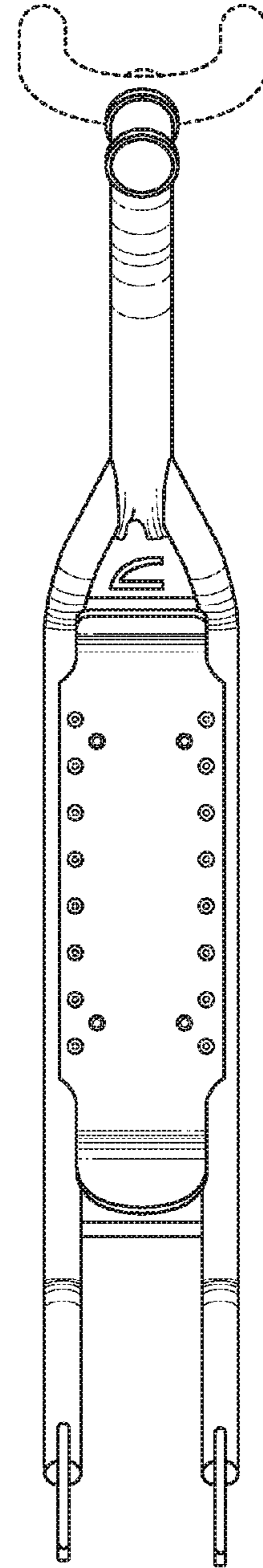


Fig. 7