

US00D767685S

(12) **United States Design Patent** (10) **Patent No.:** **US D767,685 S**  
**Beams** (45) **Date of Patent:** **\*\* Sep. 27, 2016**

(54) **THUMBWHEEL CONTROLLER**

(57) **CLAIM**

The ornamental design for a thumbwheel controller, as shown and described.

(71) Applicant: **APEM, INC.**, Haverhill, MA (US)

**DESCRIPTION**

(72) Inventor: **Shane Beams**, Fallbrook, CA (US)

(73) Assignee: **APEM, INC.**, Haverhill, MA (US)

(\*\*) Term: **15 Years**

(21) Appl. No.: **29/538,823**

(22) Filed: **Sep. 8, 2015**

FIG. 1 is a perspective view of a thumbwheel controller showing my new design;  
FIG. 2 is a top plan view thereof;  
FIG. 3 is a left side elevation view thereof;  
FIG. 4 is a right side elevation view thereof;  
FIG. 5 is a front elevation view thereof; and  
FIG. 6 is a rear elevation view thereof;  
FIG. 7 is a perspective view of second embodiment of a thumbwheel controller;  
FIG. 8 is a top plan view thereof;  
FIG. 9 is a left side elevation view thereof;  
FIG. 10 is a right side elevation view thereof;  
FIG. 11 is a front elevation view thereof; and  
FIG. 12 is a rear elevation view thereof;  
FIG. 13 is a perspective view of third embodiment of a thumbwheel controller;  
FIG. 14 is a top plan view thereof;  
FIG. 15 is a left side elevation view thereof;  
FIG. 16 is a right side elevation view thereof;  
FIG. 17 is a front elevation view thereof; and  
FIG. 18 is a rear elevation view thereof;  
FIG. 19 is a perspective view of fourth embodiment of a thumbwheel controller;  
FIG. 20 is a top plan view thereof;  
FIG. 21 is a left side elevation view thereof;  
FIG. 22 is a right side elevation view thereof;  
FIG. 23 is a front elevation view thereof; and  
FIG. 24 is a rear elevation view thereof;  
FIG. 25 is a perspective view of fifth embodiment of a thumbwheel controller;  
FIG. 26 is a top plan view thereof;  
FIG. 27 is a left side elevation view thereof;  
FIG. 28 is a right side elevation view thereof;  
FIG. 29 is a front elevation view thereof; and,  
FIG. 30 is a rear elevation view thereof.

The broken line showing of various features on the thumbwheel in FIGS. 25-30 is for illustrative purposes only and does not form part of the claimed design.

**Related U.S. Application Data**

(62) Division of application No. 29/423,468, filed on May 31, 2012, now Pat. No. Des. 740,886.

(51) **LOC (10) Cl.** ..... **21-01**

(52) **U.S. Cl.**  
USPC ..... **D21/333**; D21/324

(58) **Field of Classification Search**  
USPC ..... D21/324-333; 273/148 B; 463/1, 463/29-35, 43-51; D14/412-416; 345/156-161  
CPC ..... G09G 5/08; A63F 9/24; A63F 13/02  
See application file for complete search history.

(56) **References Cited**

**U.S. PATENT DOCUMENTS**

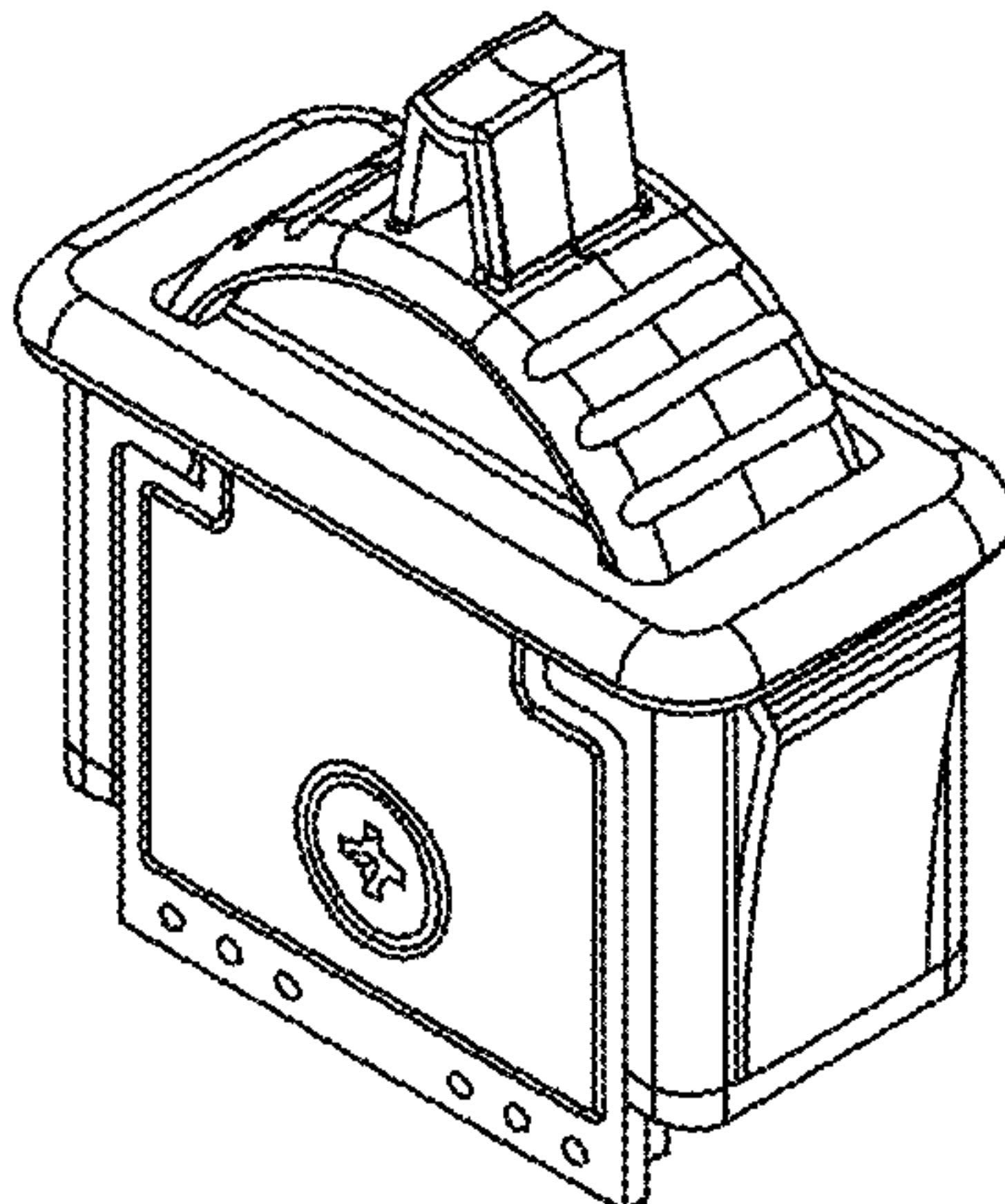
4,530,504 A 7/1985 Long, Jr.  
4,952,919 A \* 8/1990 Nippoldt ..... G06F 3/03549 345/163  
5,063,289 A \* 11/1991 Jasinski ..... G06F 3/03541 250/221

(Continued)

*Primary Examiner* — Prabhakar Deshmukh

(74) *Attorney, Agent, or Firm* — Pillsbury Winthrop Shaw Pittman LLP

**1 Claim, 10 Drawing Sheets**



(56)

**References Cited**

U.S. PATENT DOCUMENTS

5,078,019	A *	1/1992	Aoki .....	G06F 3/03549 16/26
5,343,219	A	8/1994	DuBosque, Jr.	
5,788,195	A	8/1998	Rice	
5,847,694	A	12/1998	Redford et al.	
6,012,165	A *	1/2000	Cain .....	A41D 13/087 15/236.01
6,068,554	A *	5/2000	Tyler .....	G05G 9/047 345/161
6,251,015	B1	6/2001	Caprai	
6,557,853	B2	5/2003	Huettinger	
6,624,806	B2	9/2003	Hsu	
6,809,722	B2	10/2004	Mei et al.	
D550,673	S *	9/2007	Wong .....	D14/413
7,532,199	B2 *	5/2009	Kubo .....	G06F 3/0221 345/158
D601,565	S	10/2009	Maeno	
D658,184	S	4/2012	Chang et al.	
D659,765	S	5/2012	Taniguchi et al.	

\* cited by examiner

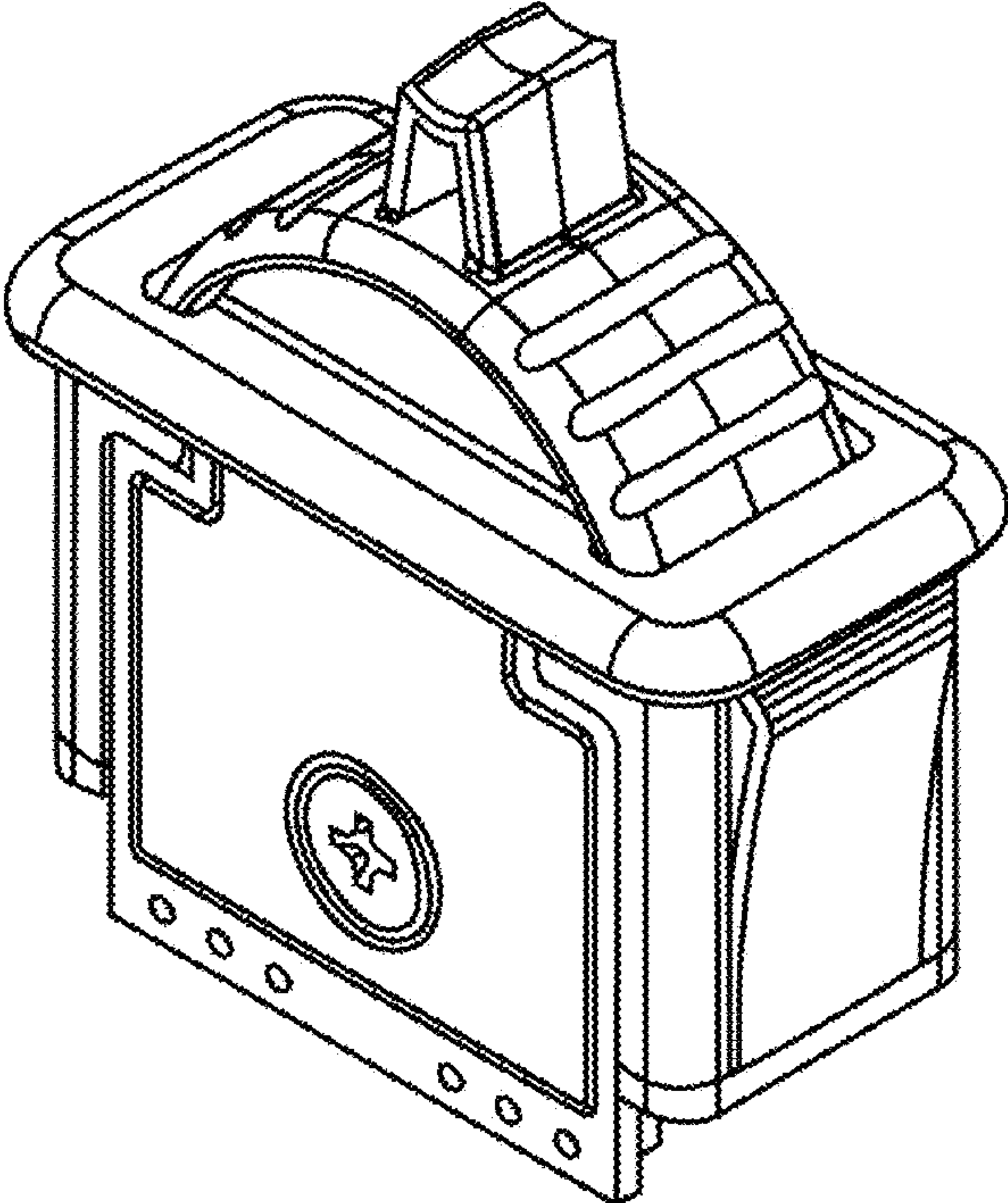


FIG. 1

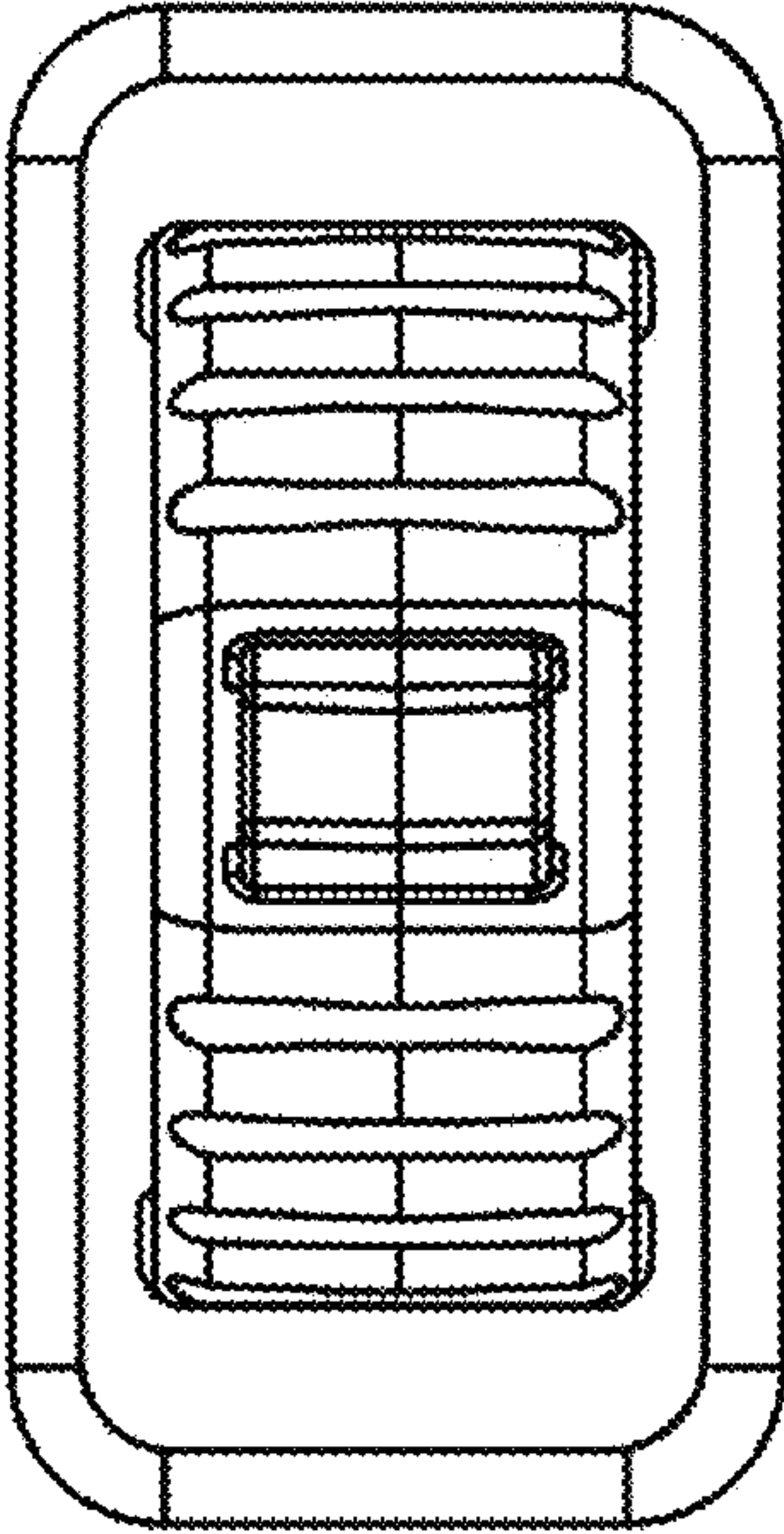


FIG. 2

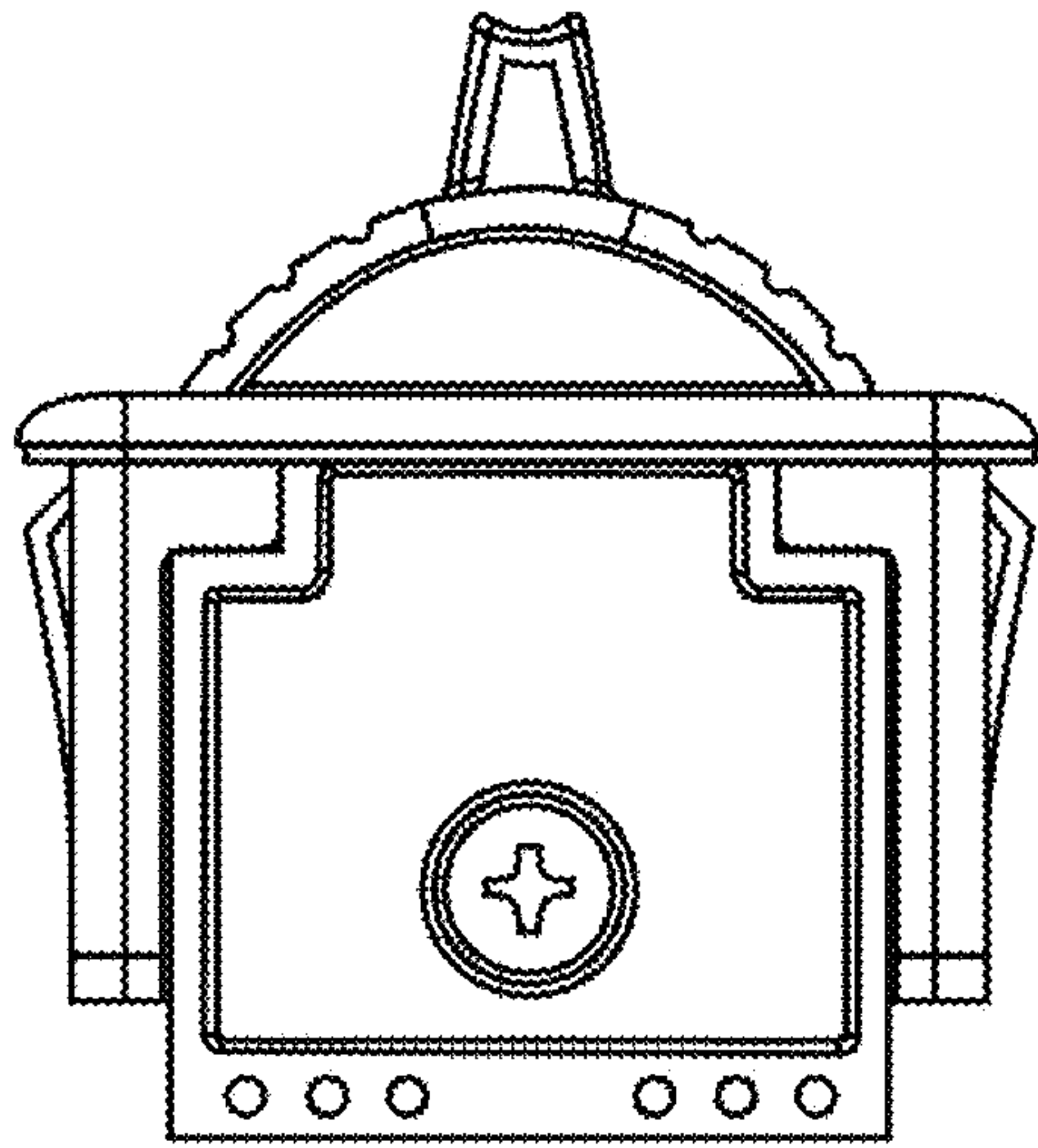


FIG. 3

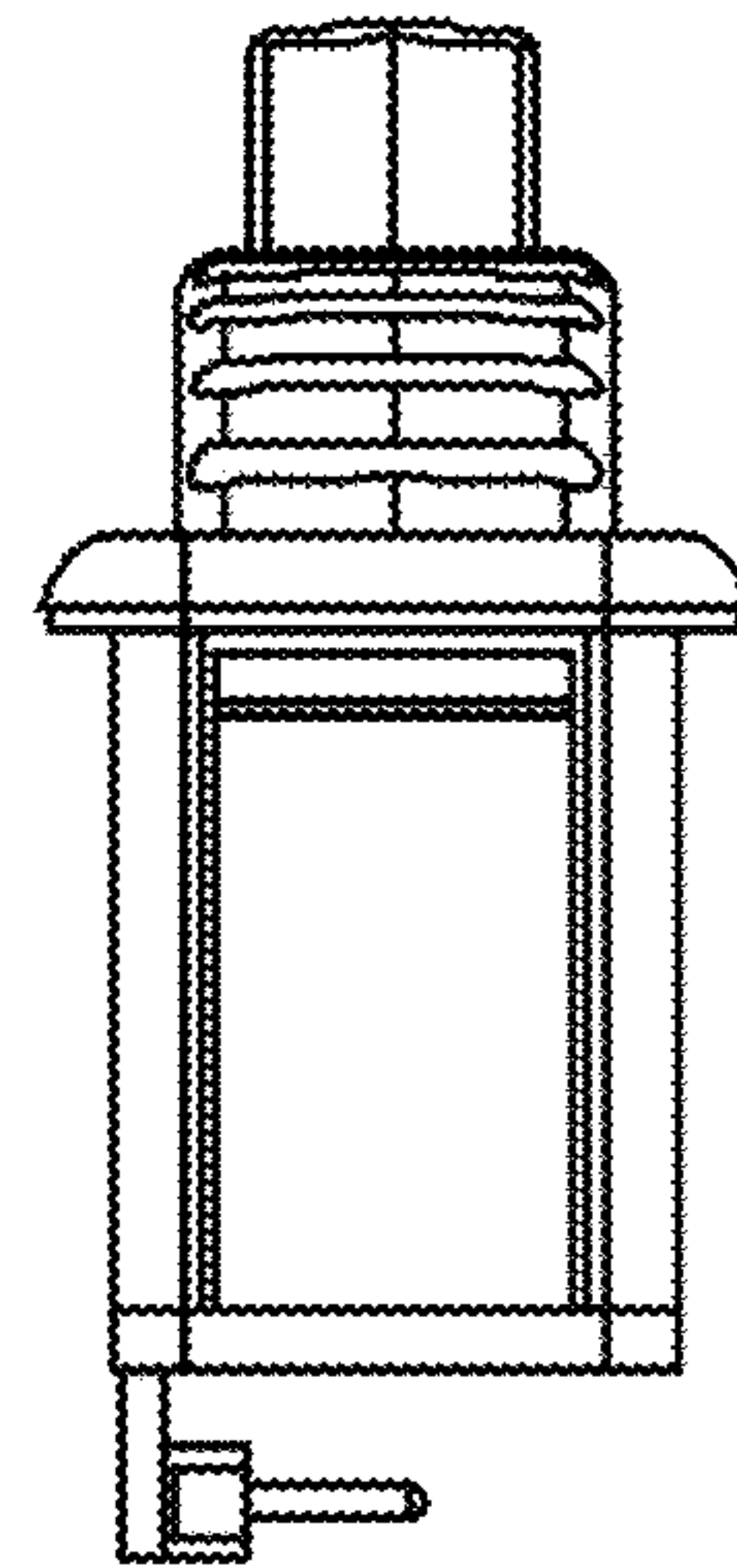


FIG. 5

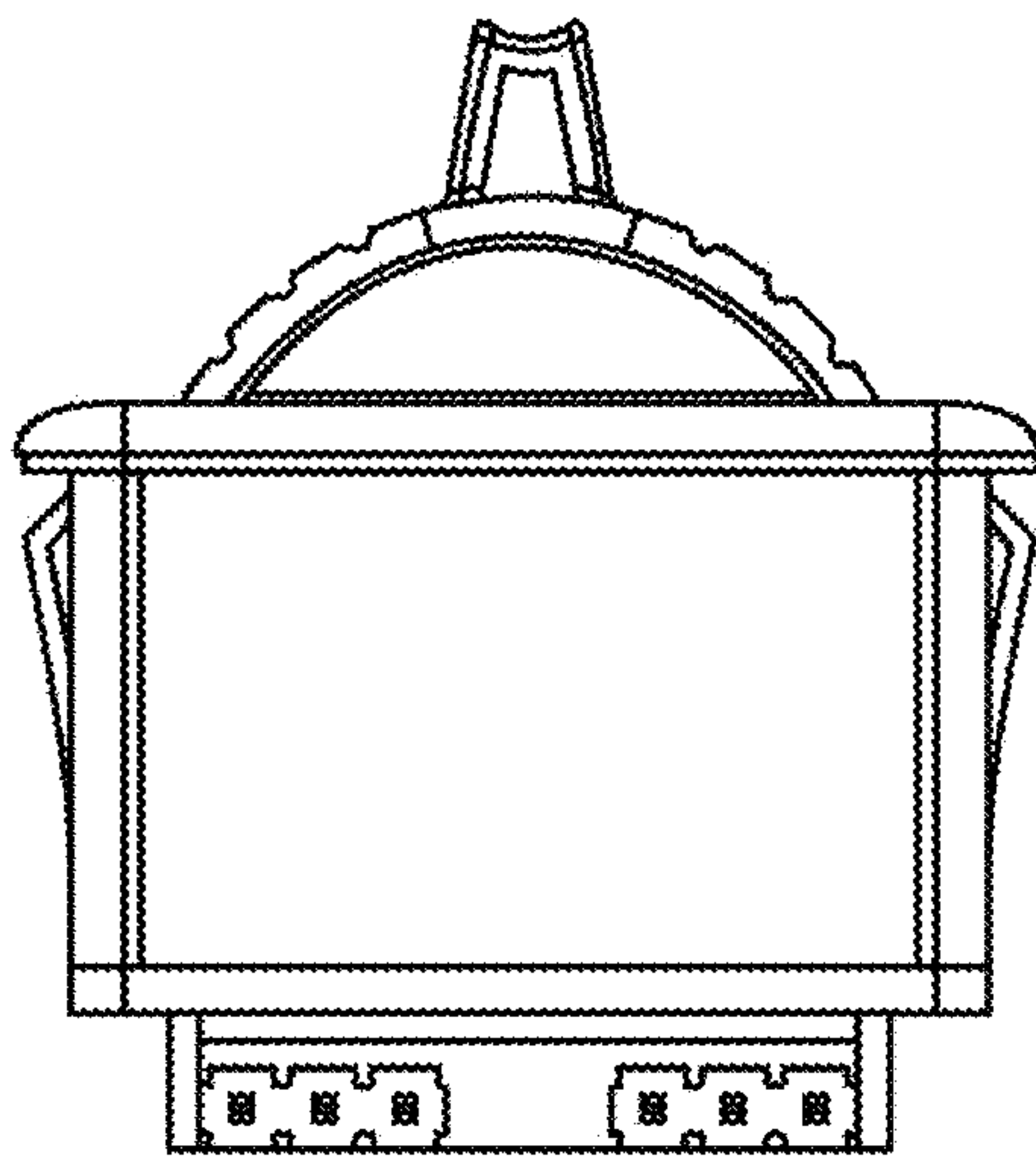


FIG. 4

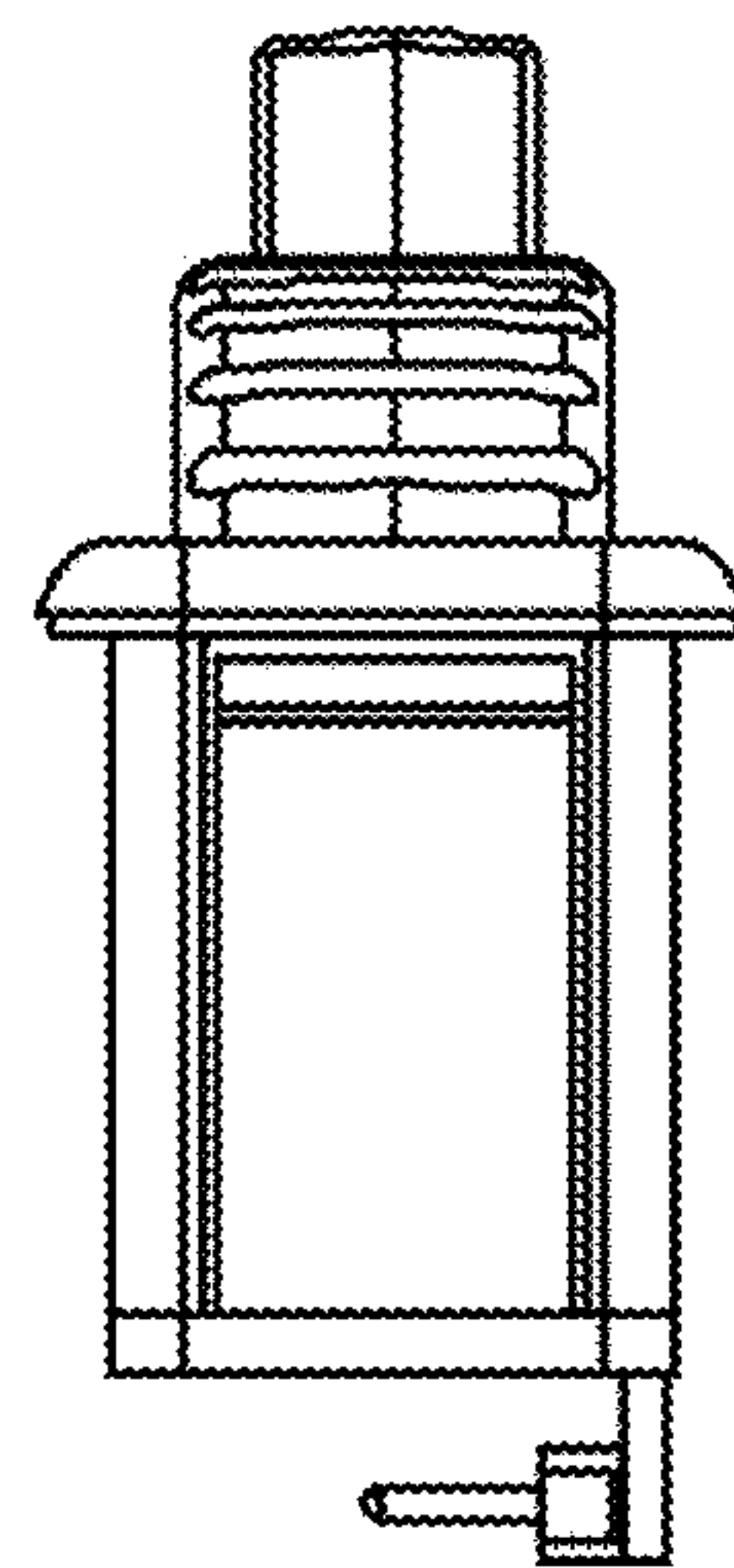


FIG. 6



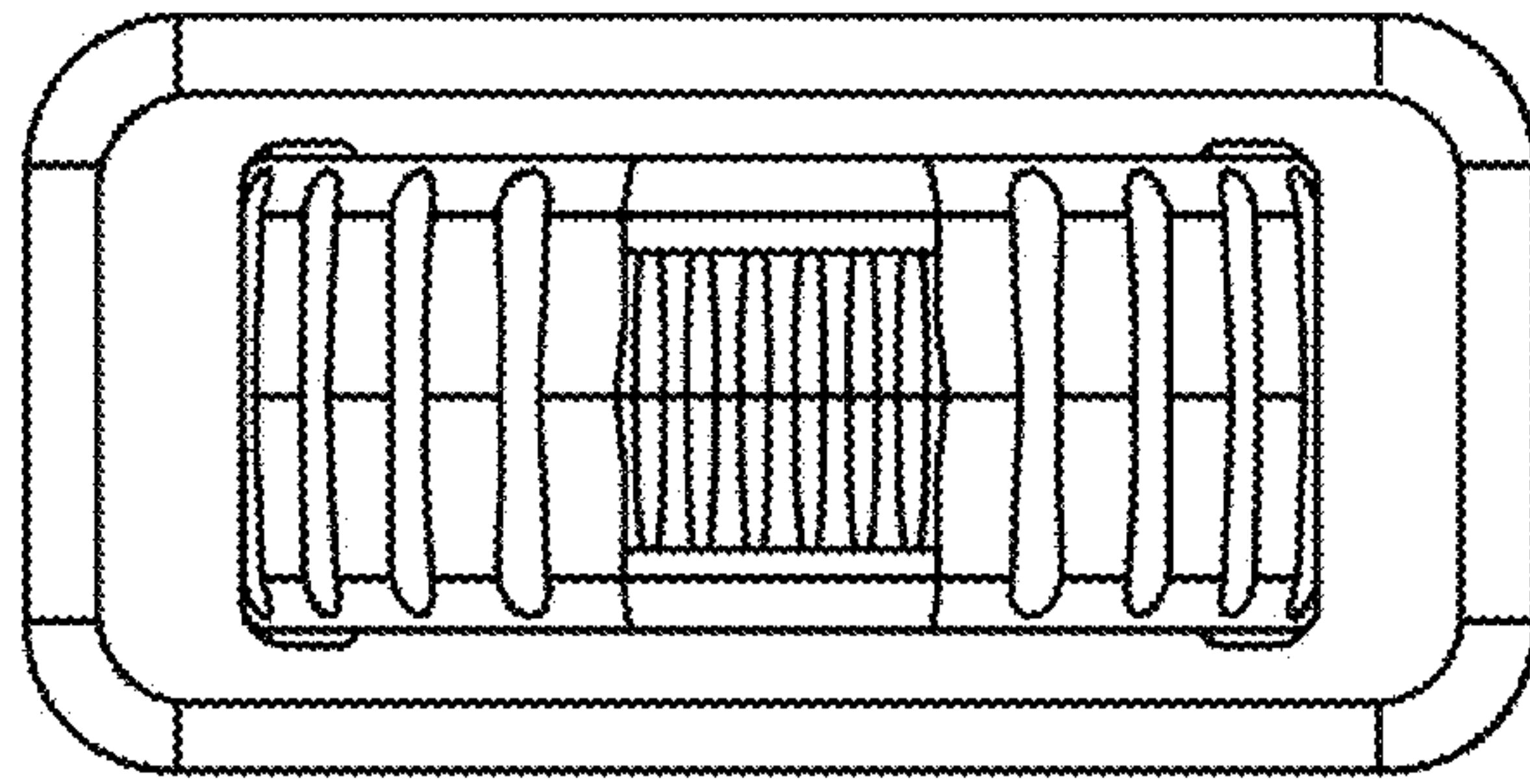


FIG. 8

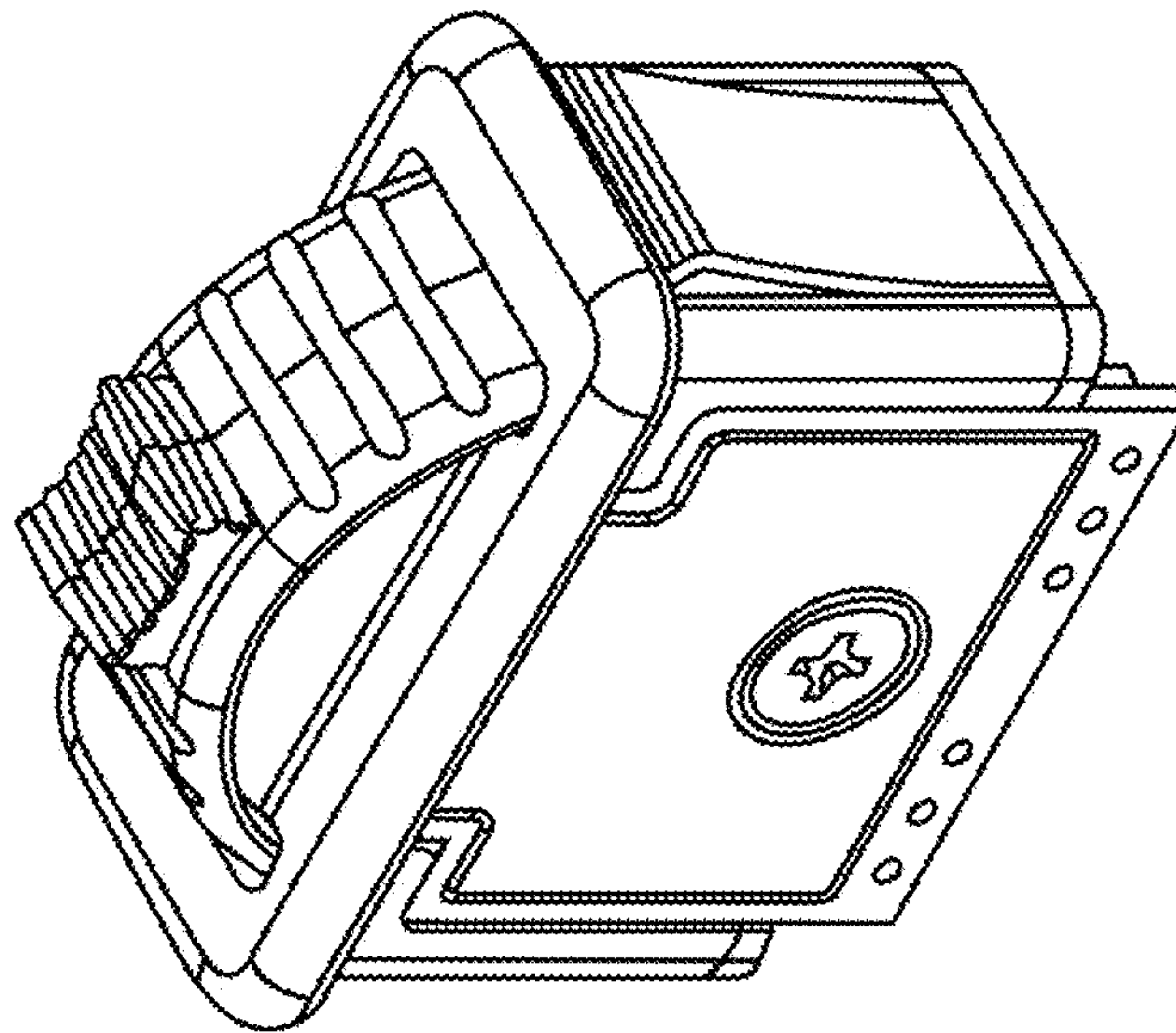


FIG. 7

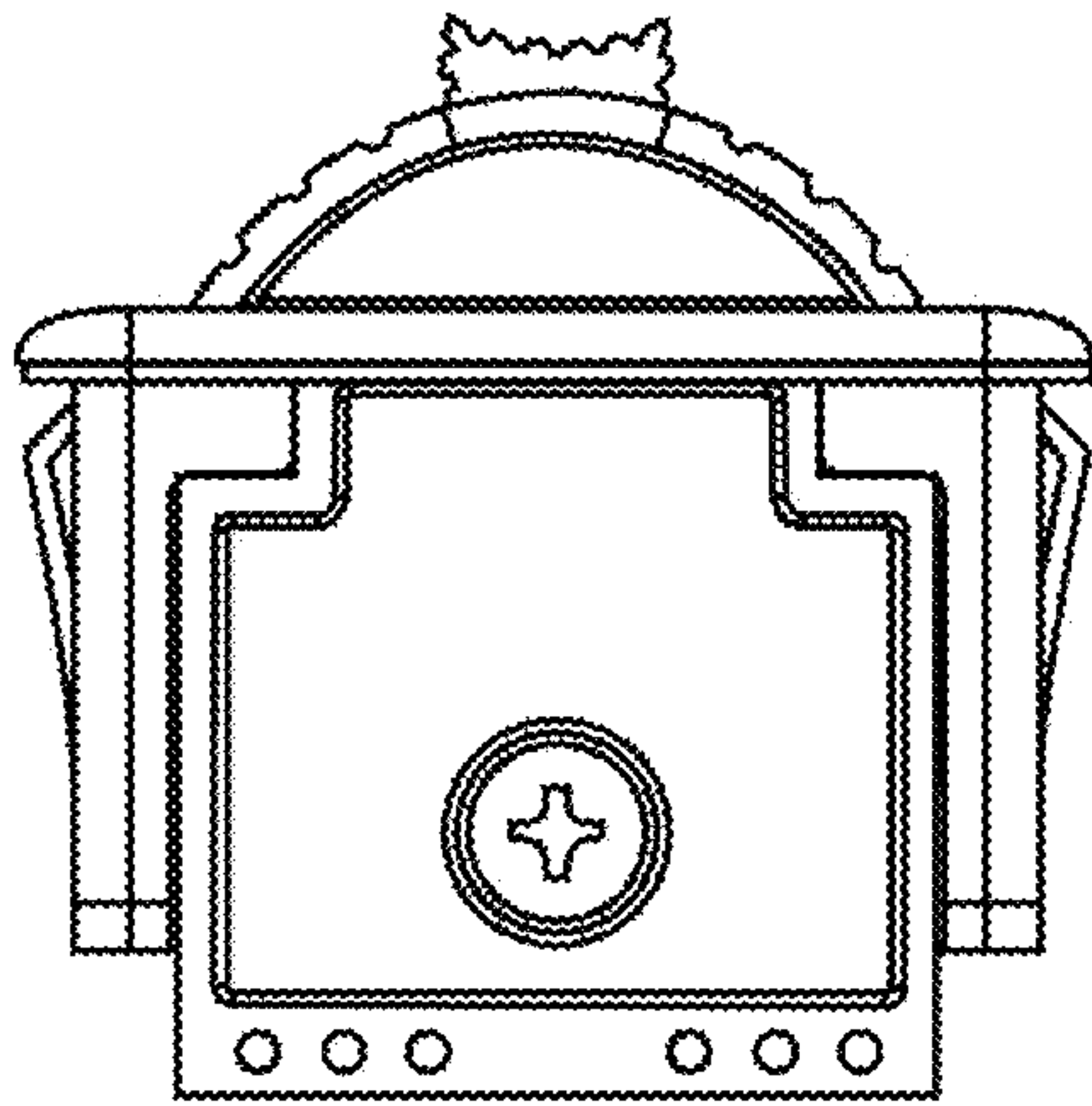


FIG. 9

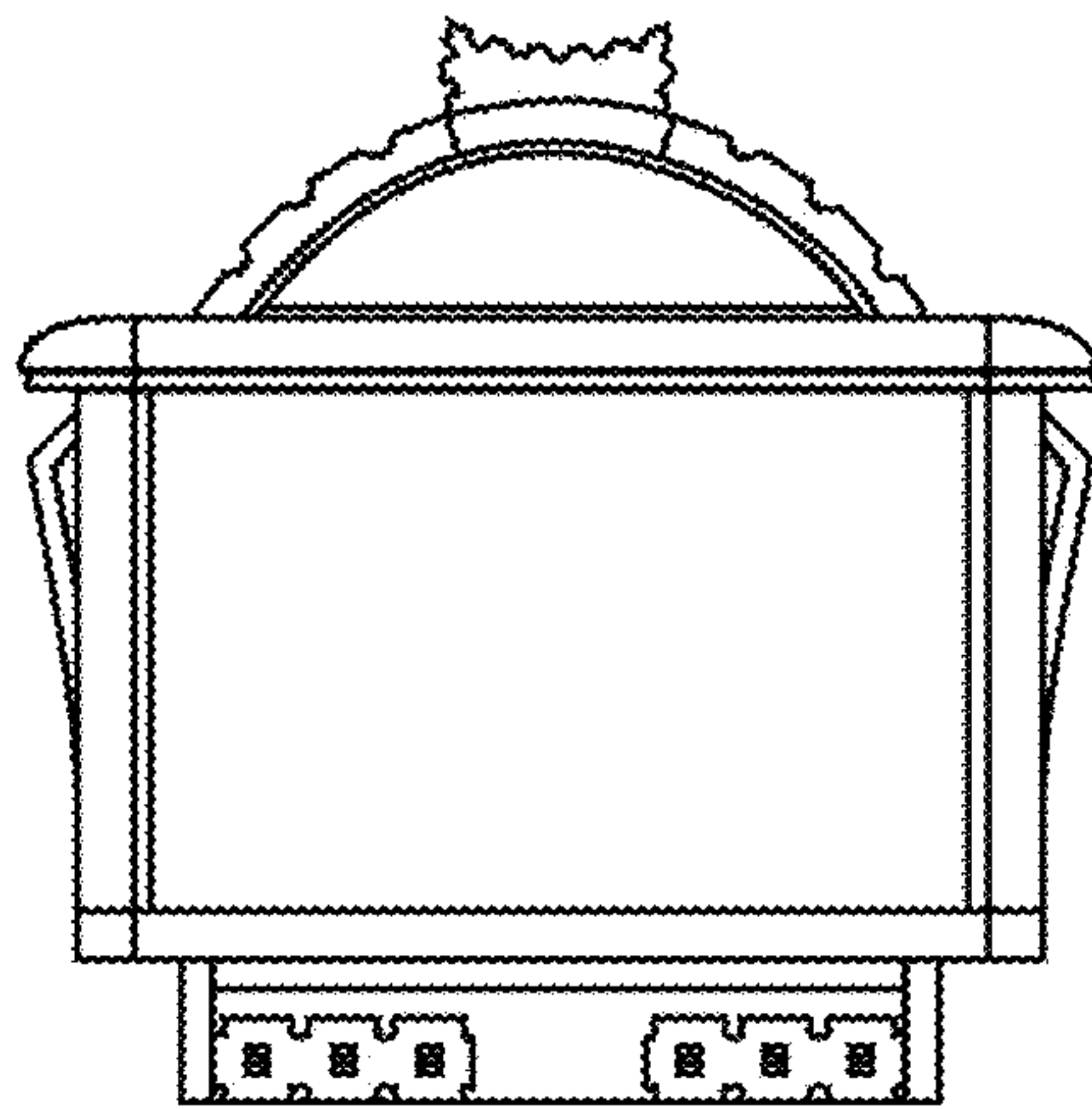


FIG. 10

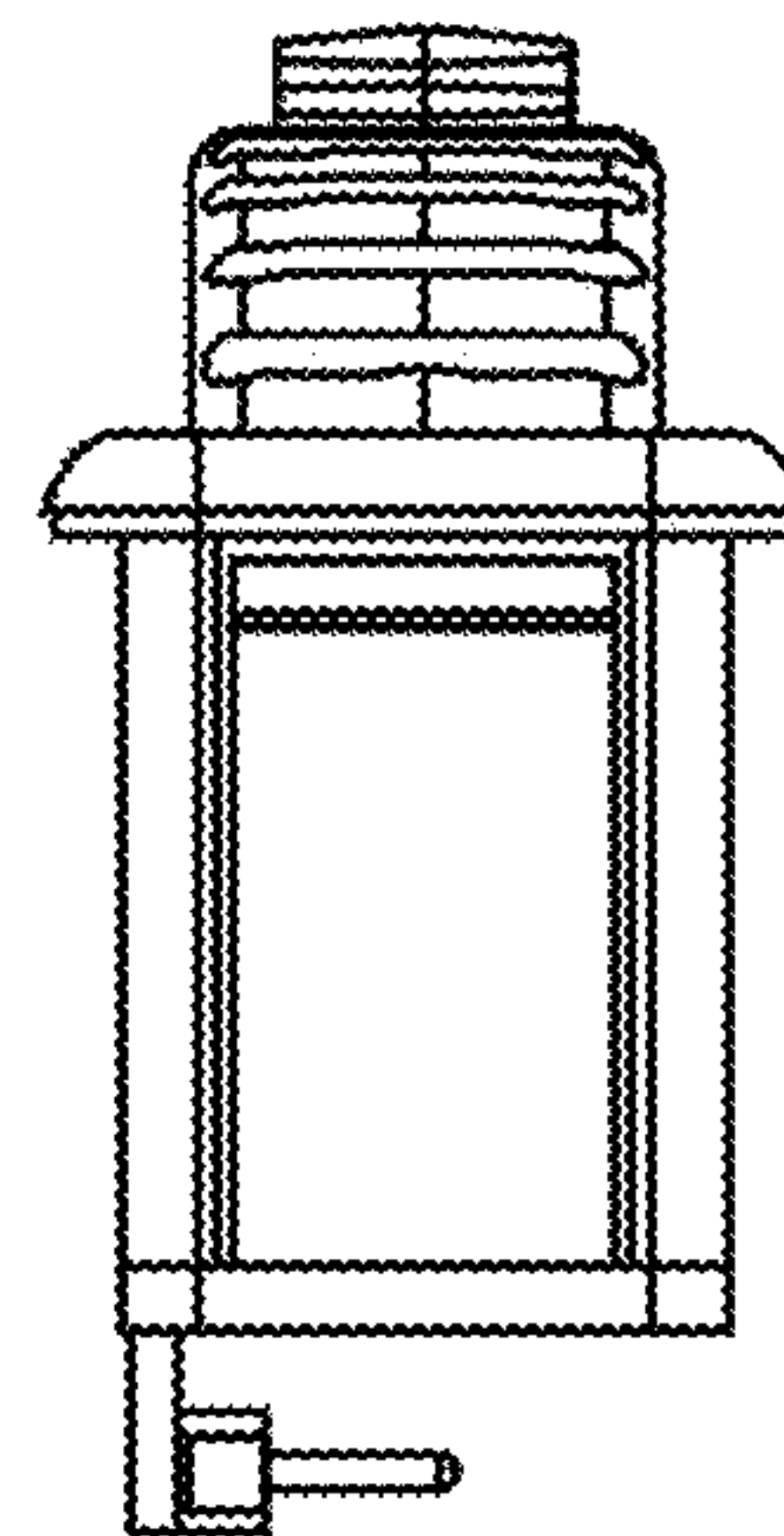


FIG. 11

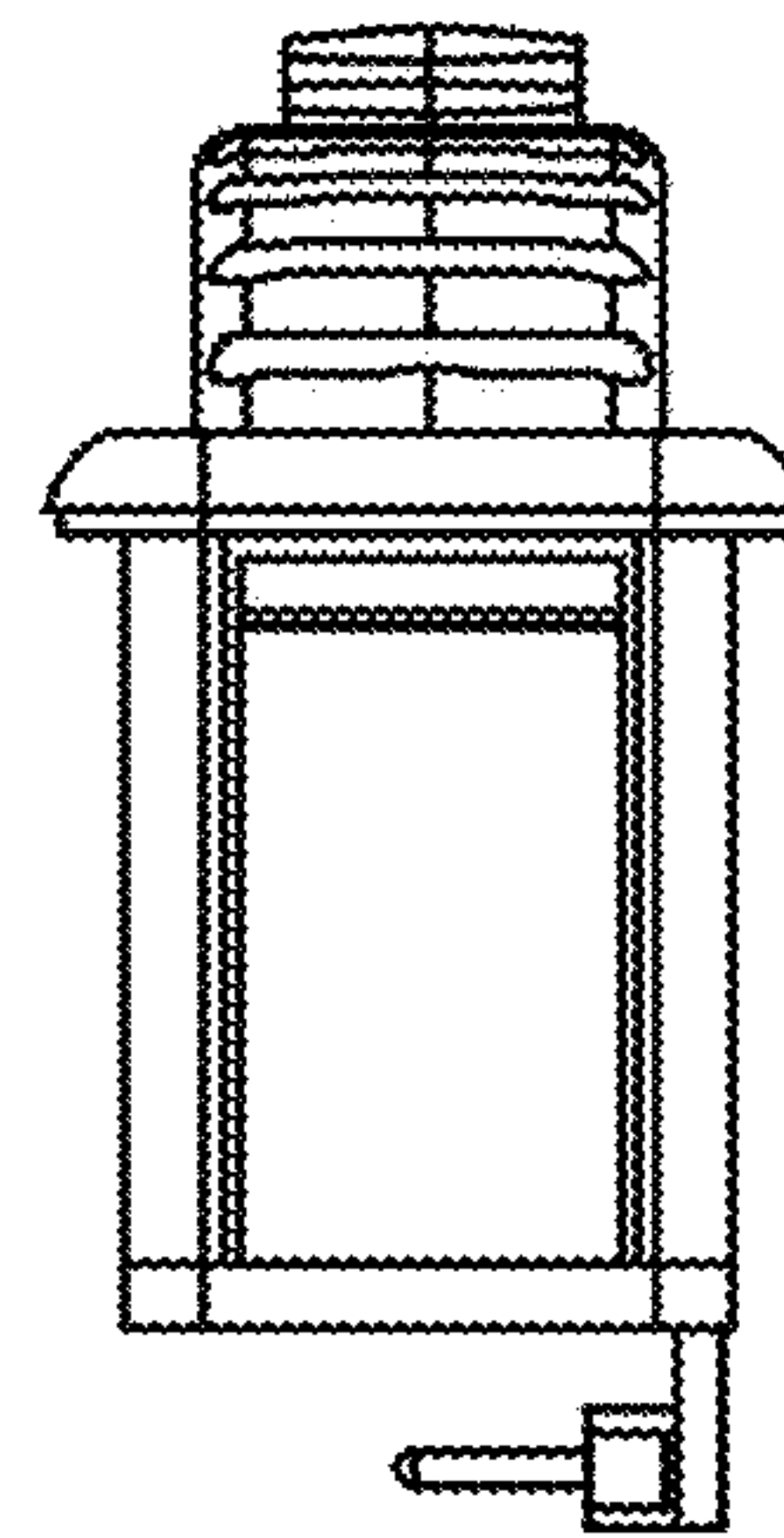


FIG. 12

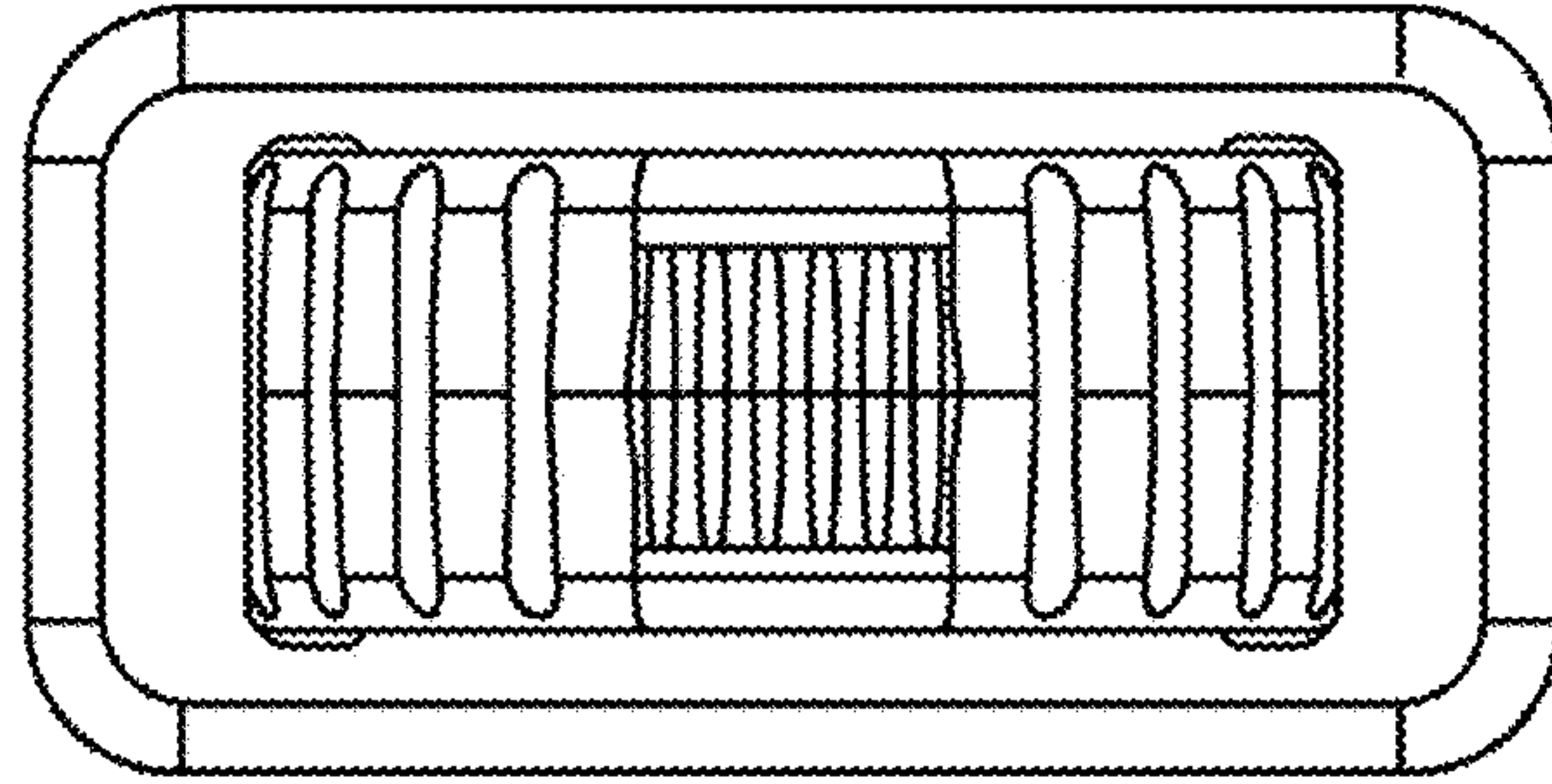


FIG. 14

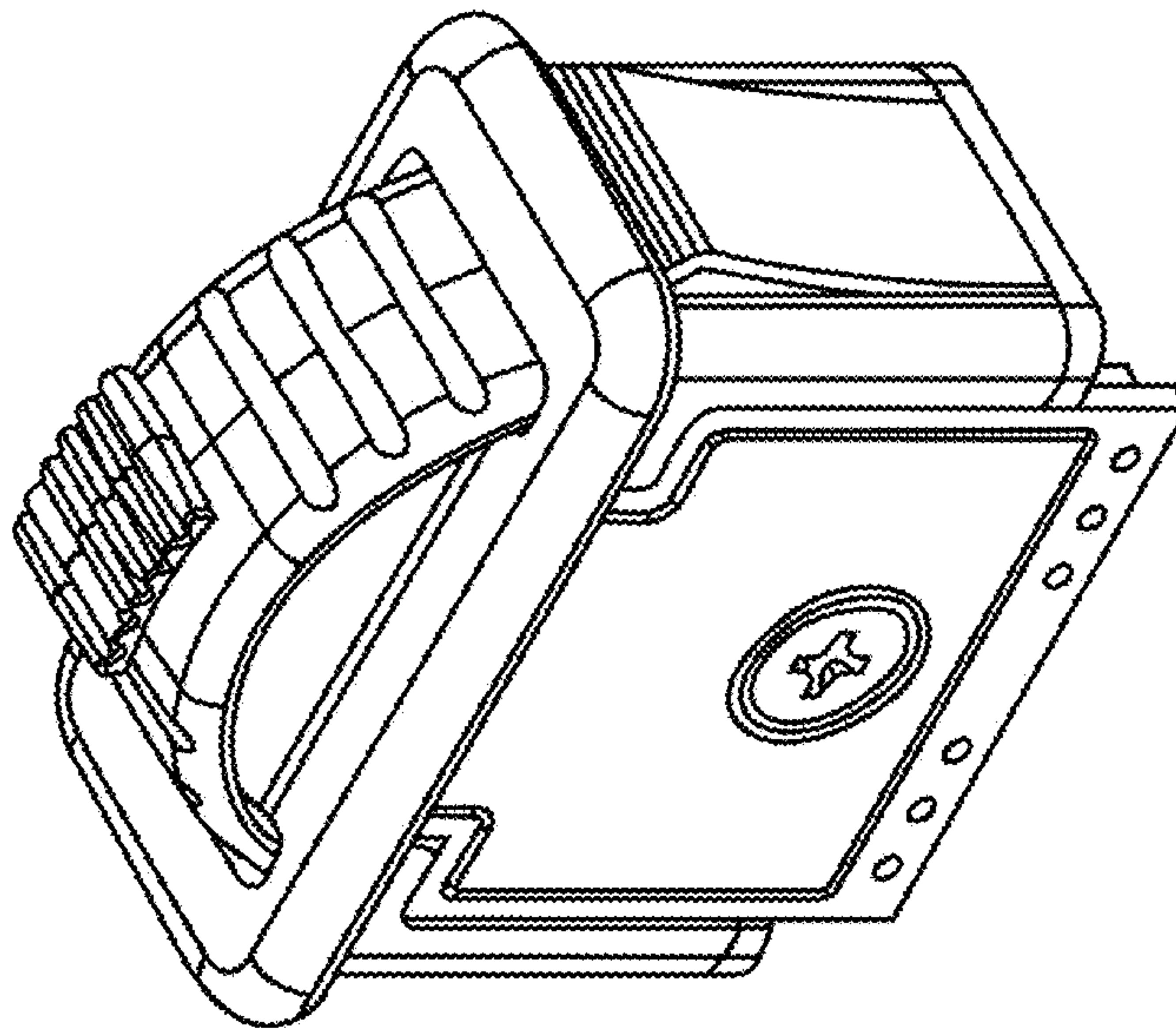


FIG. 13

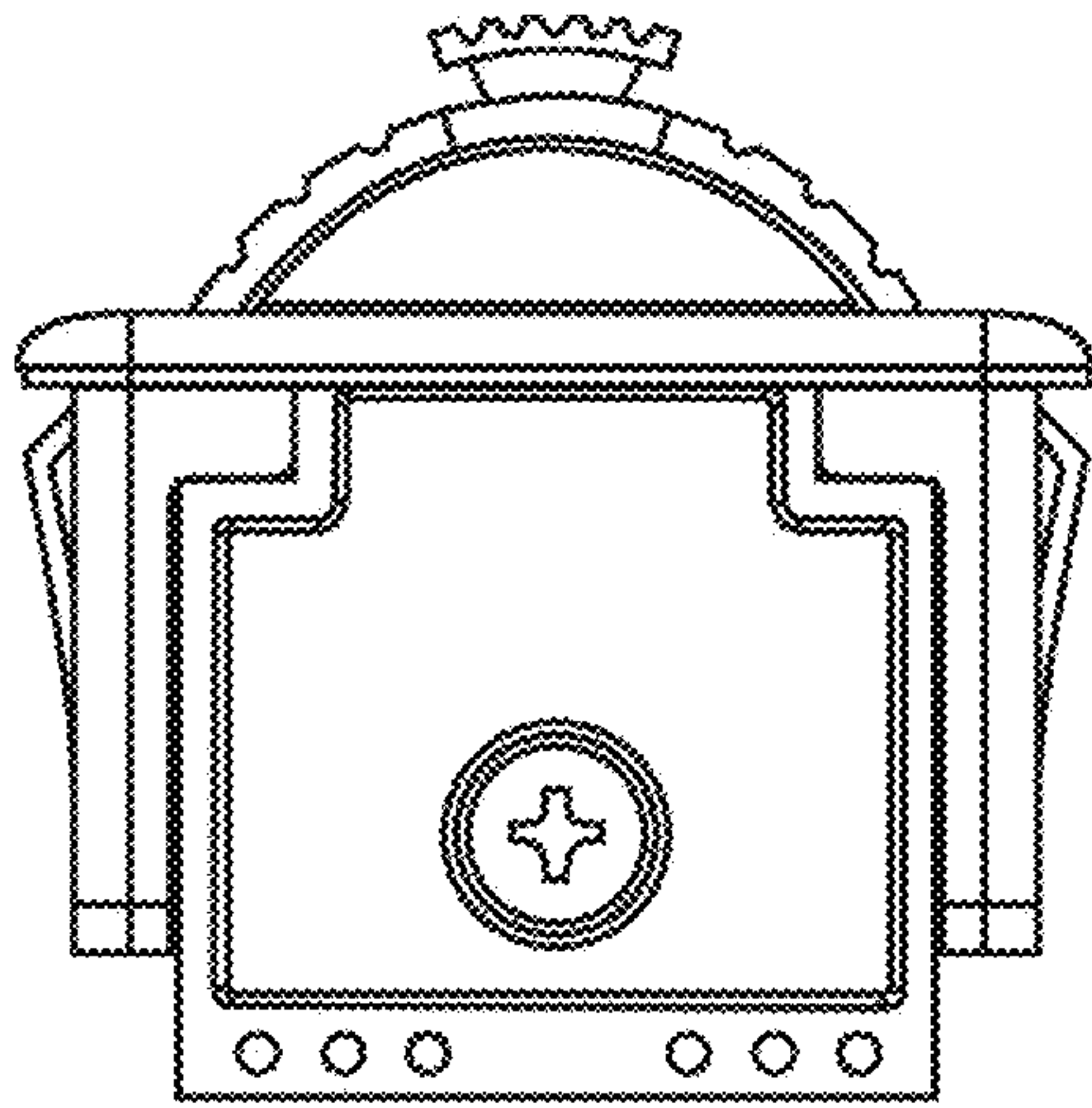


FIG. 15

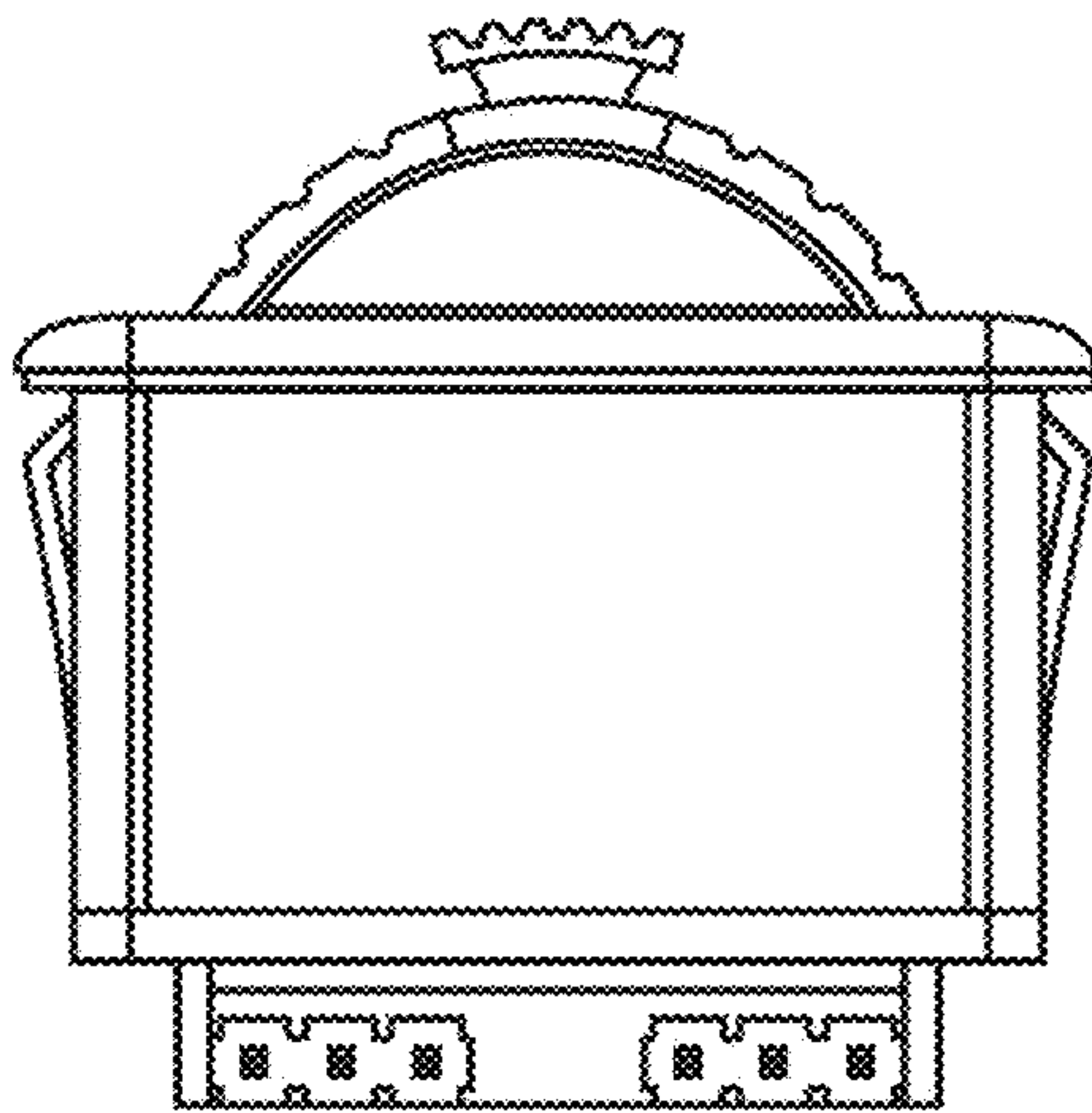


FIG. 16

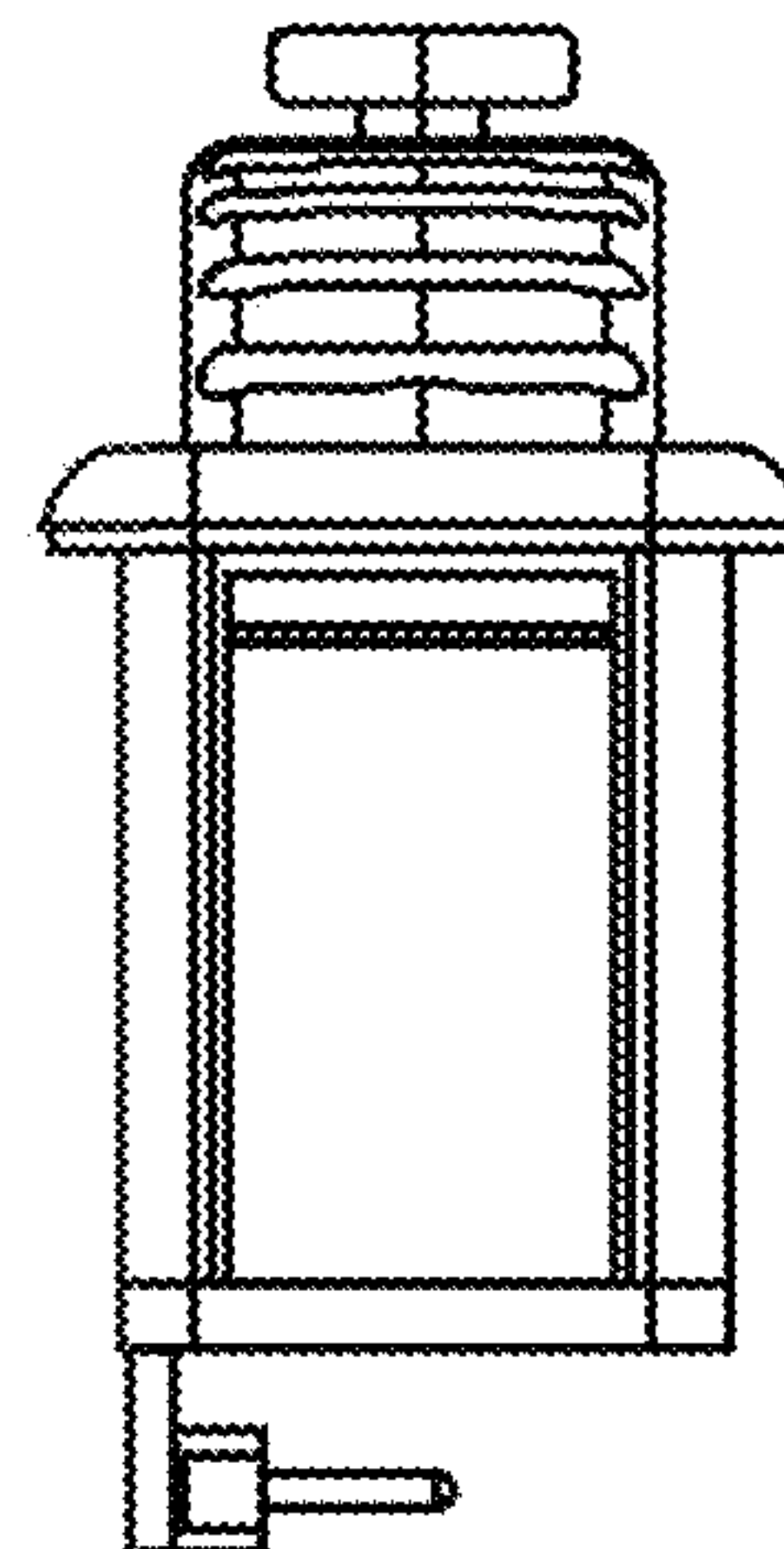


FIG. 17

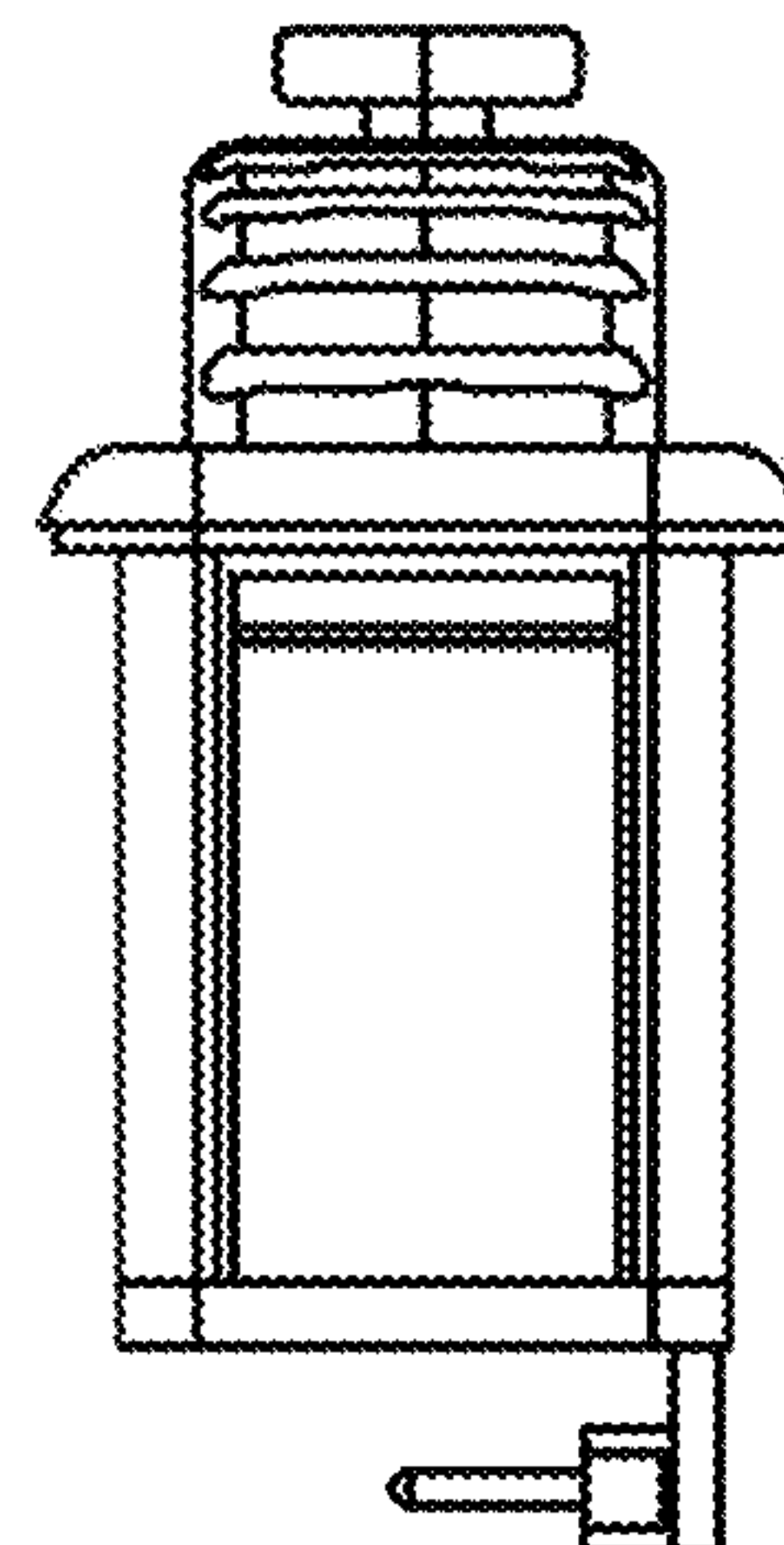


FIG. 18



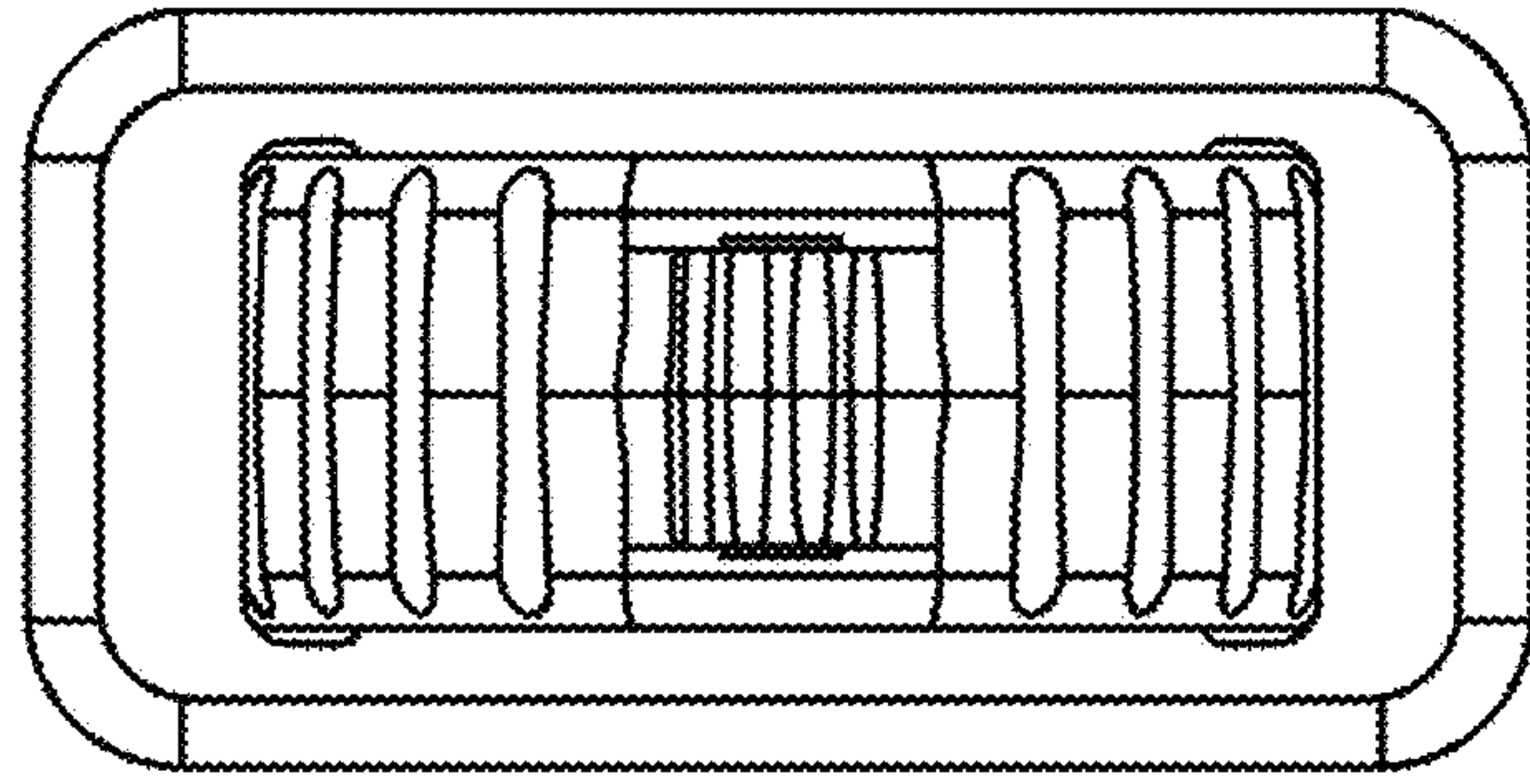


FIG. 20

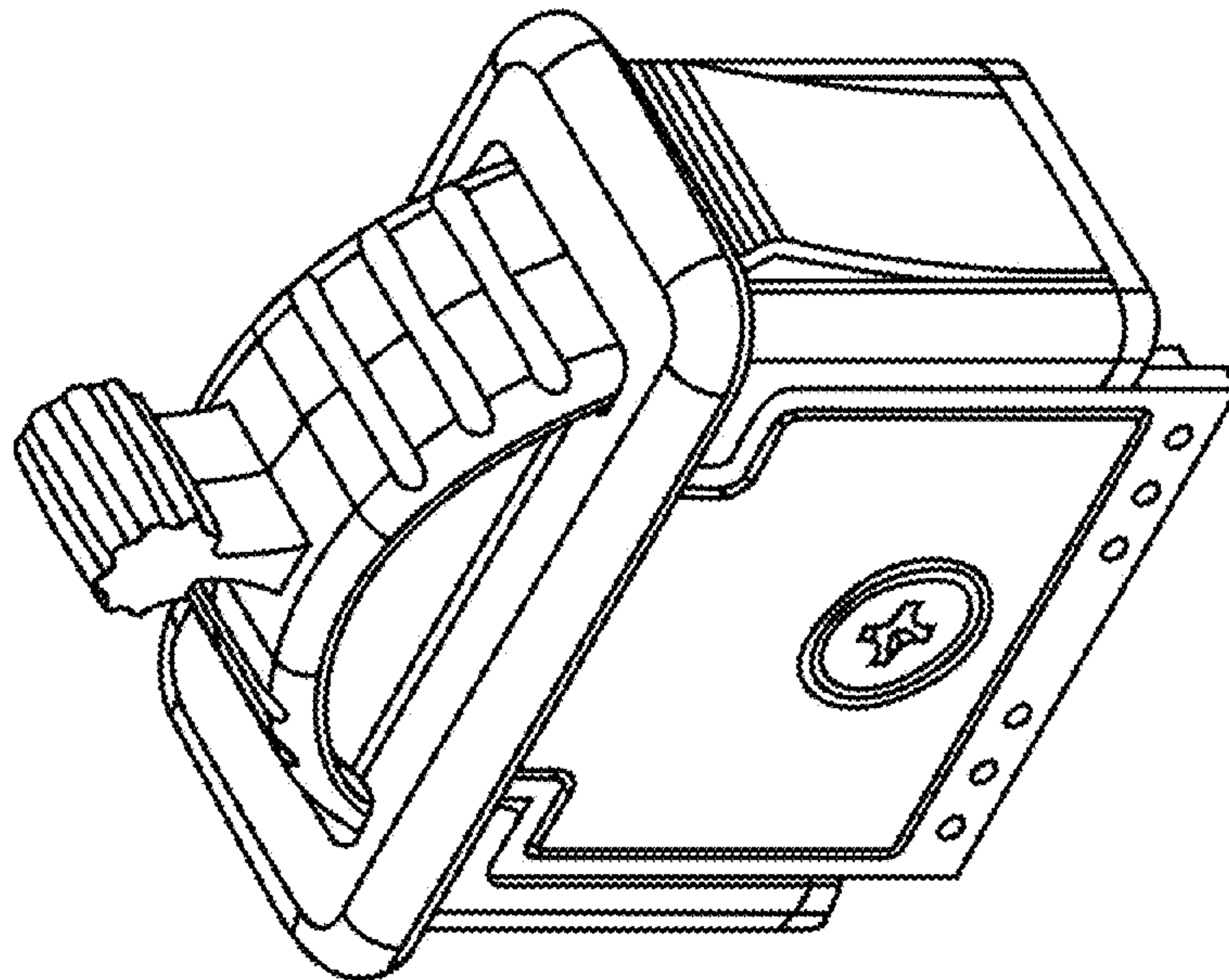


FIG. 19

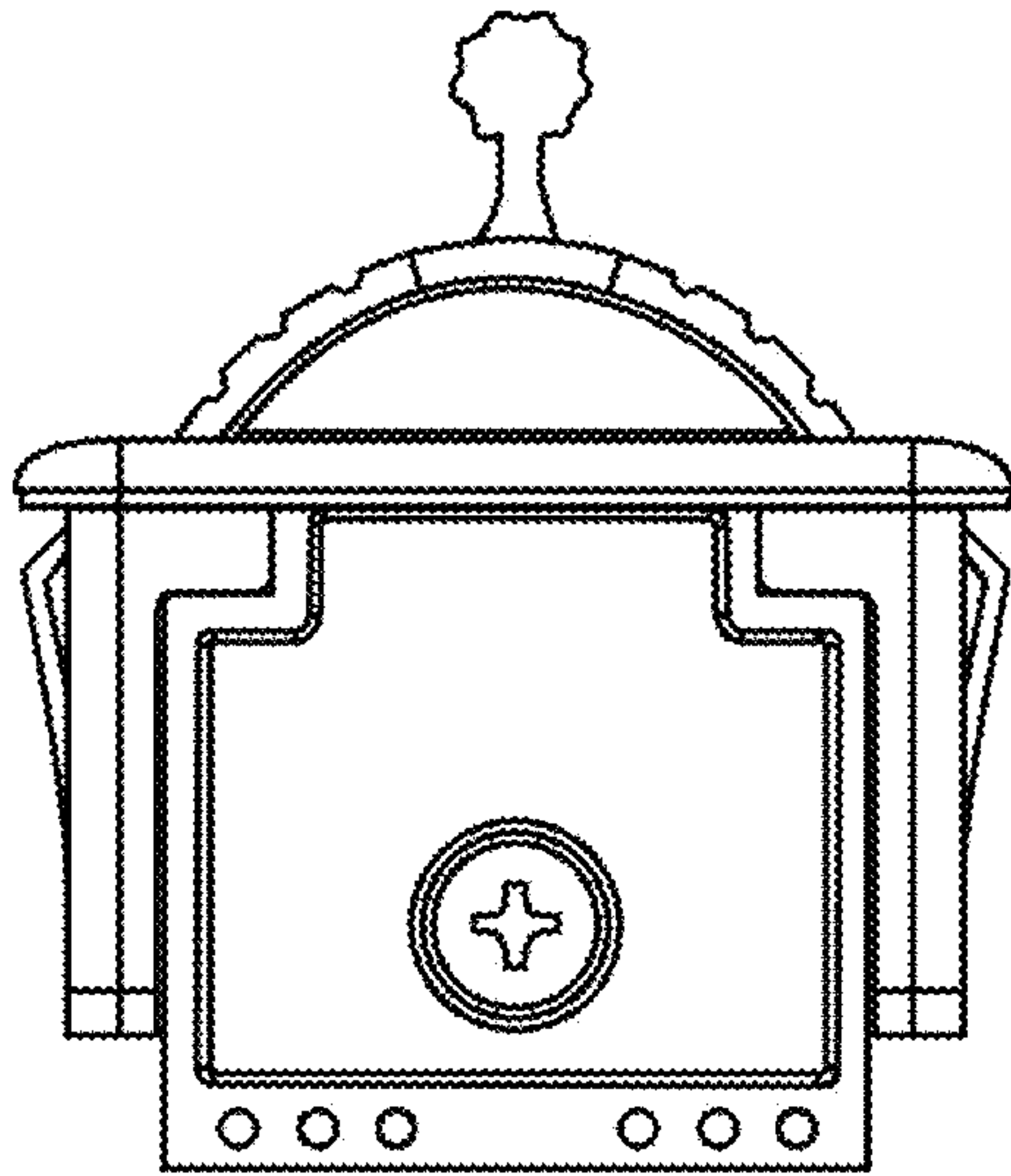


FIG. 21

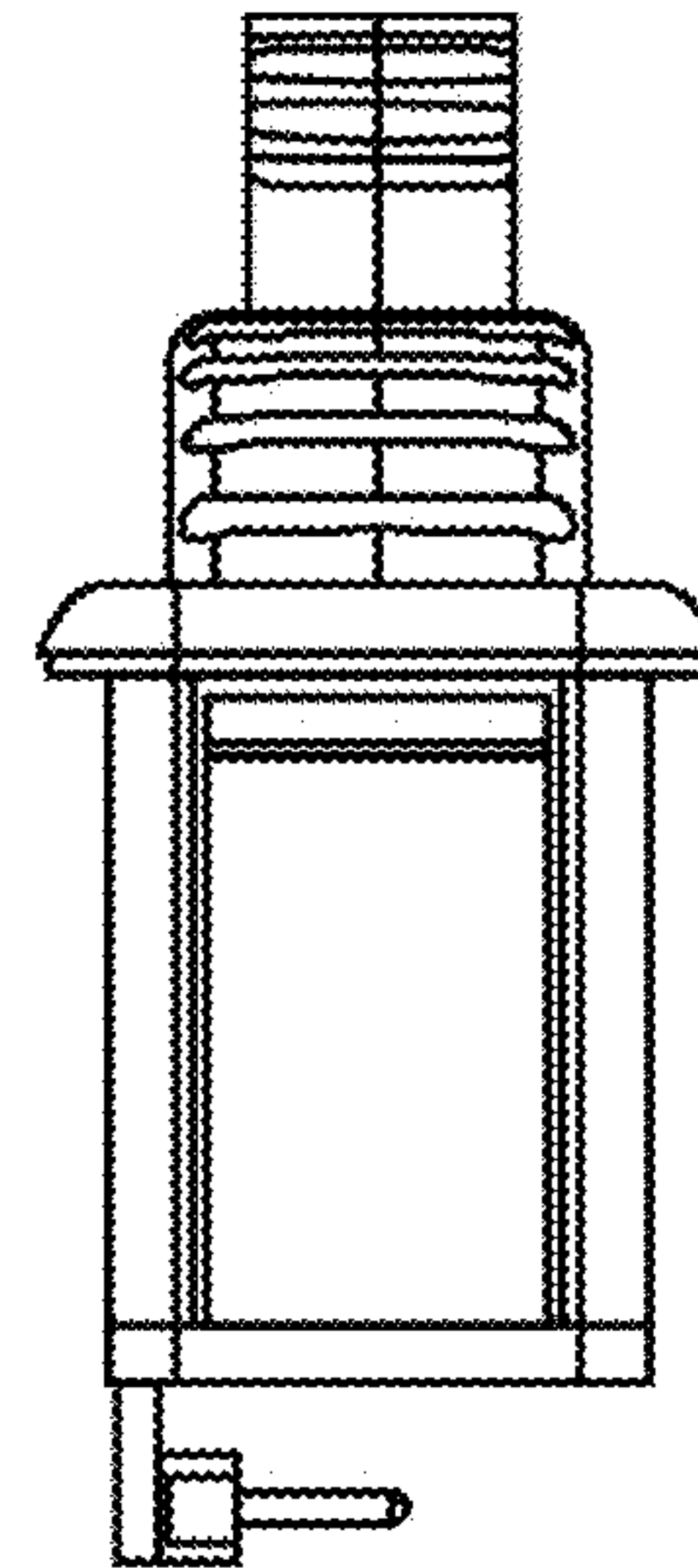


FIG. 23

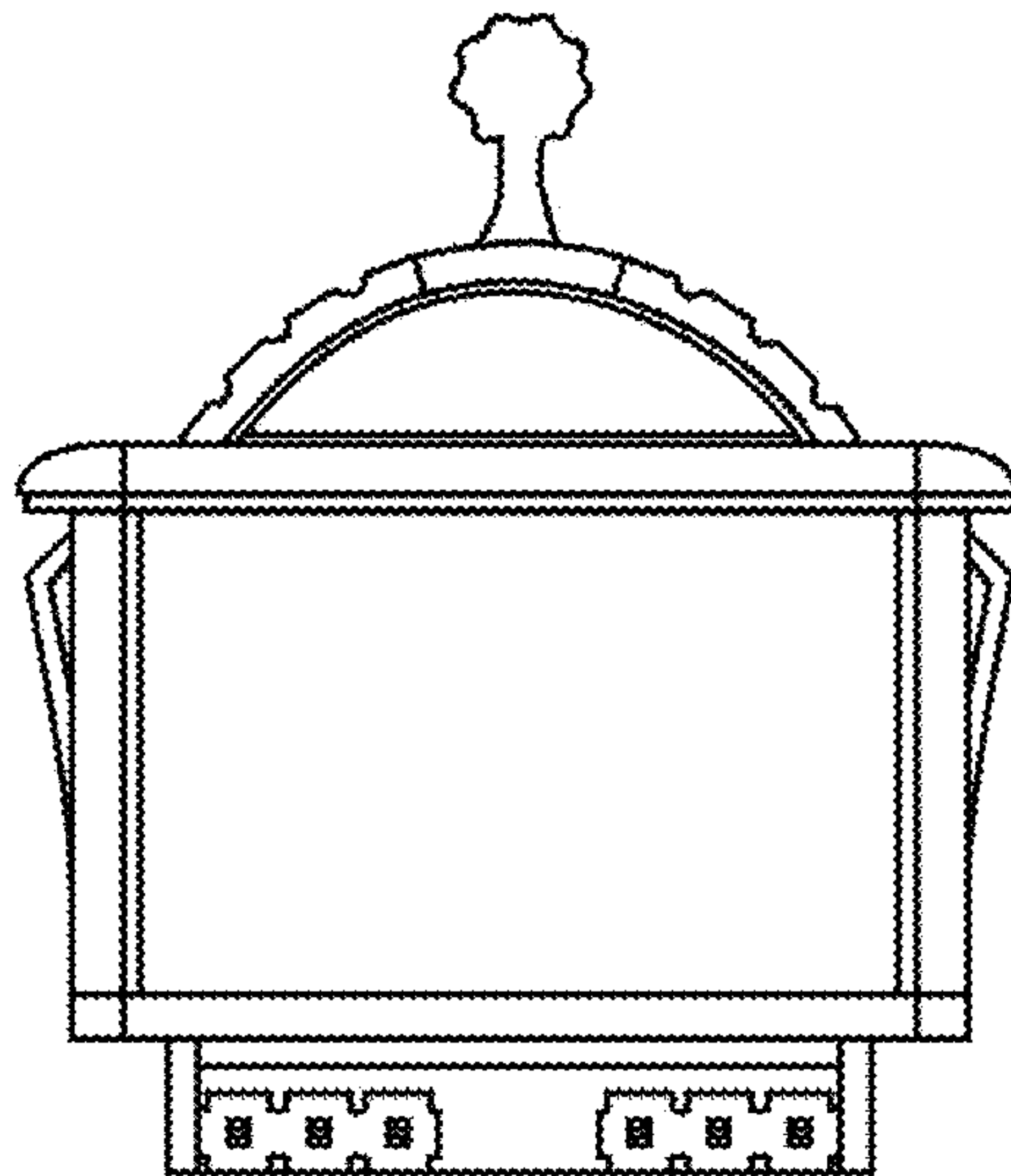


FIG. 22

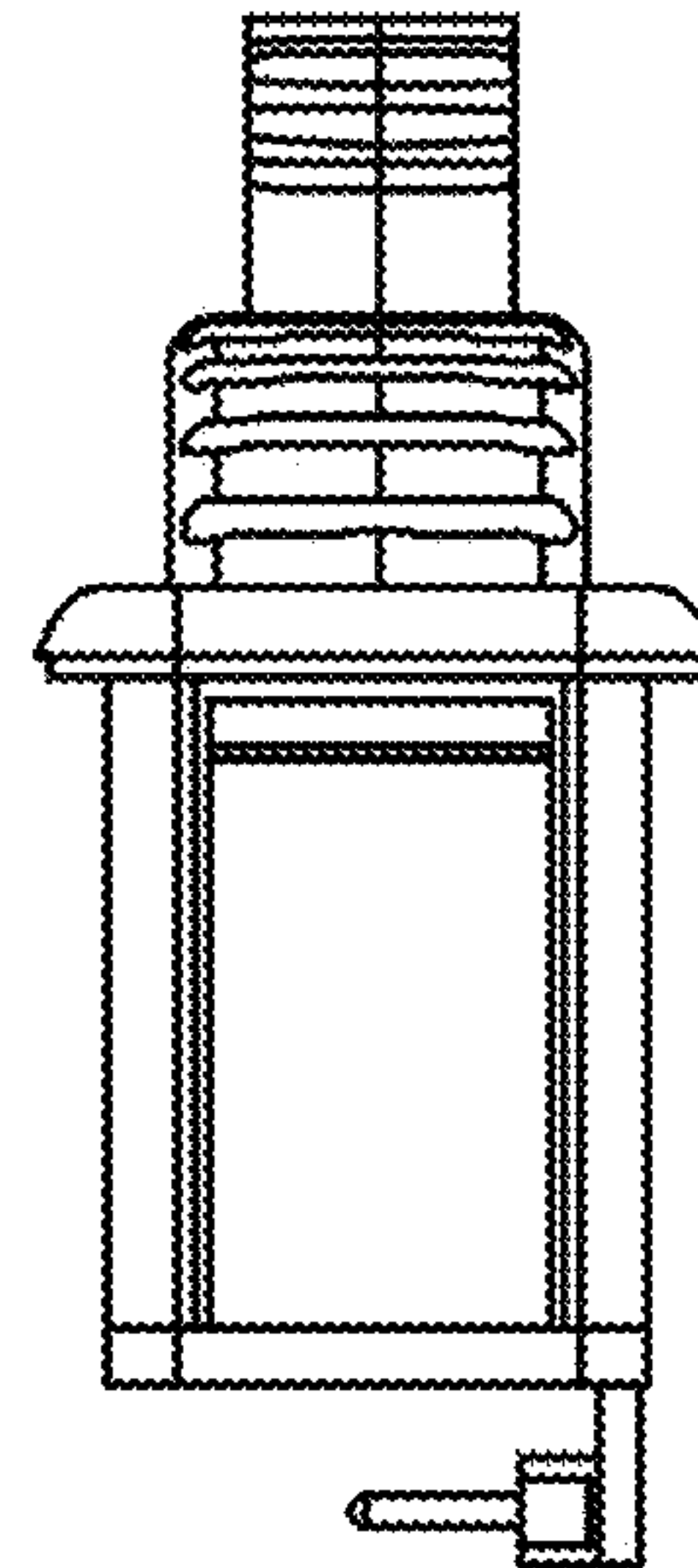


FIG. 24

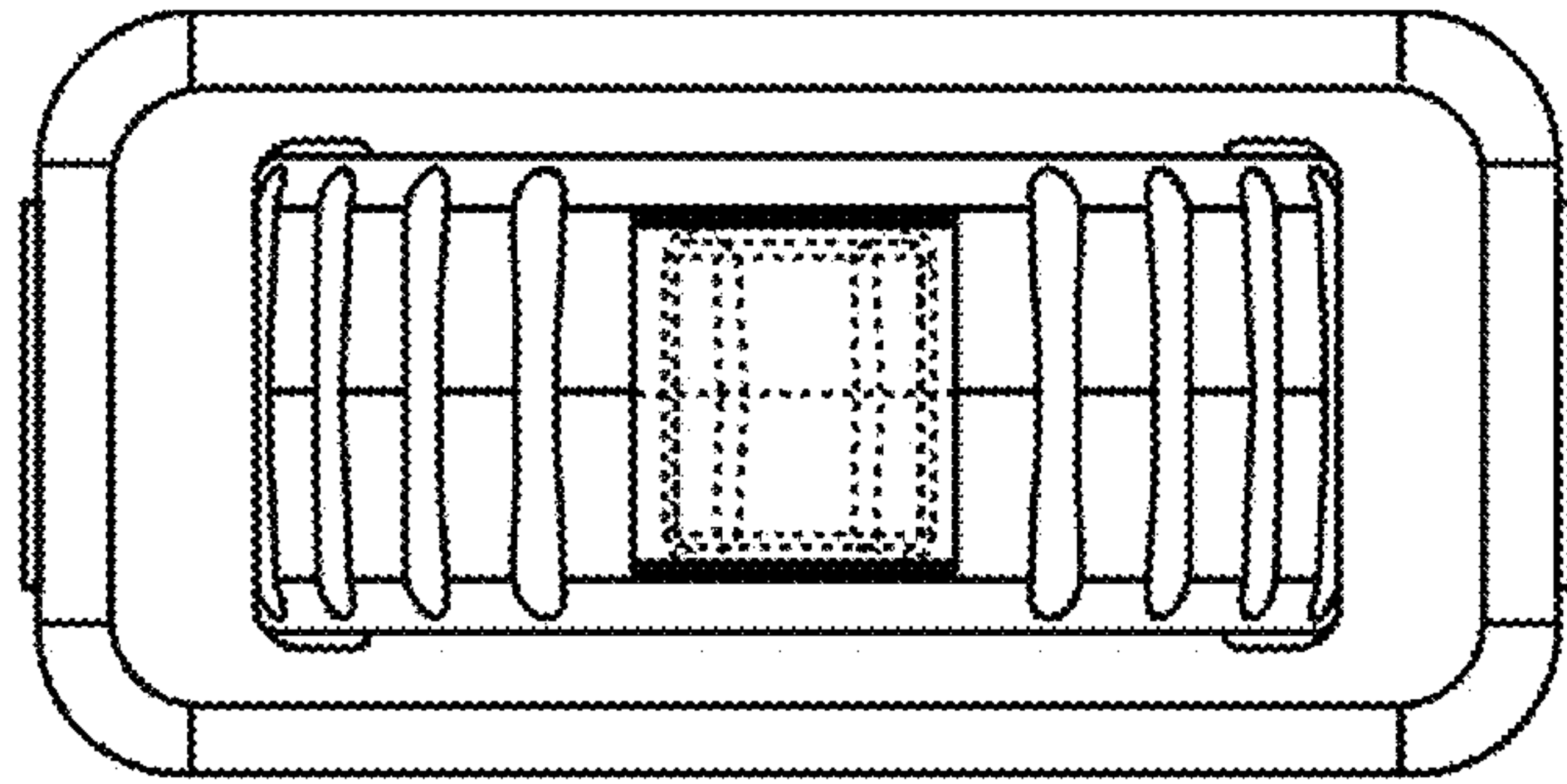


FIG. 26

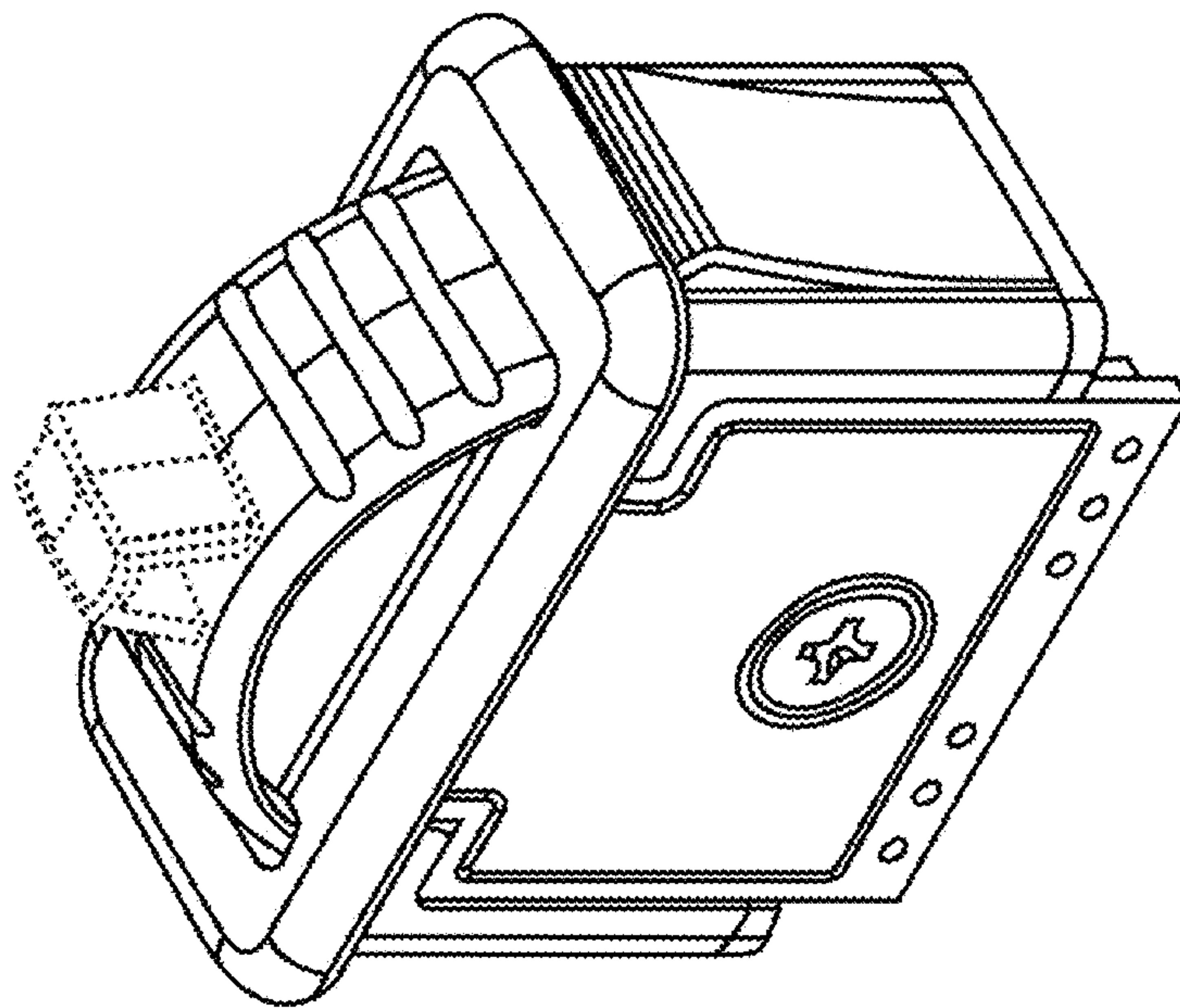


FIG. 25

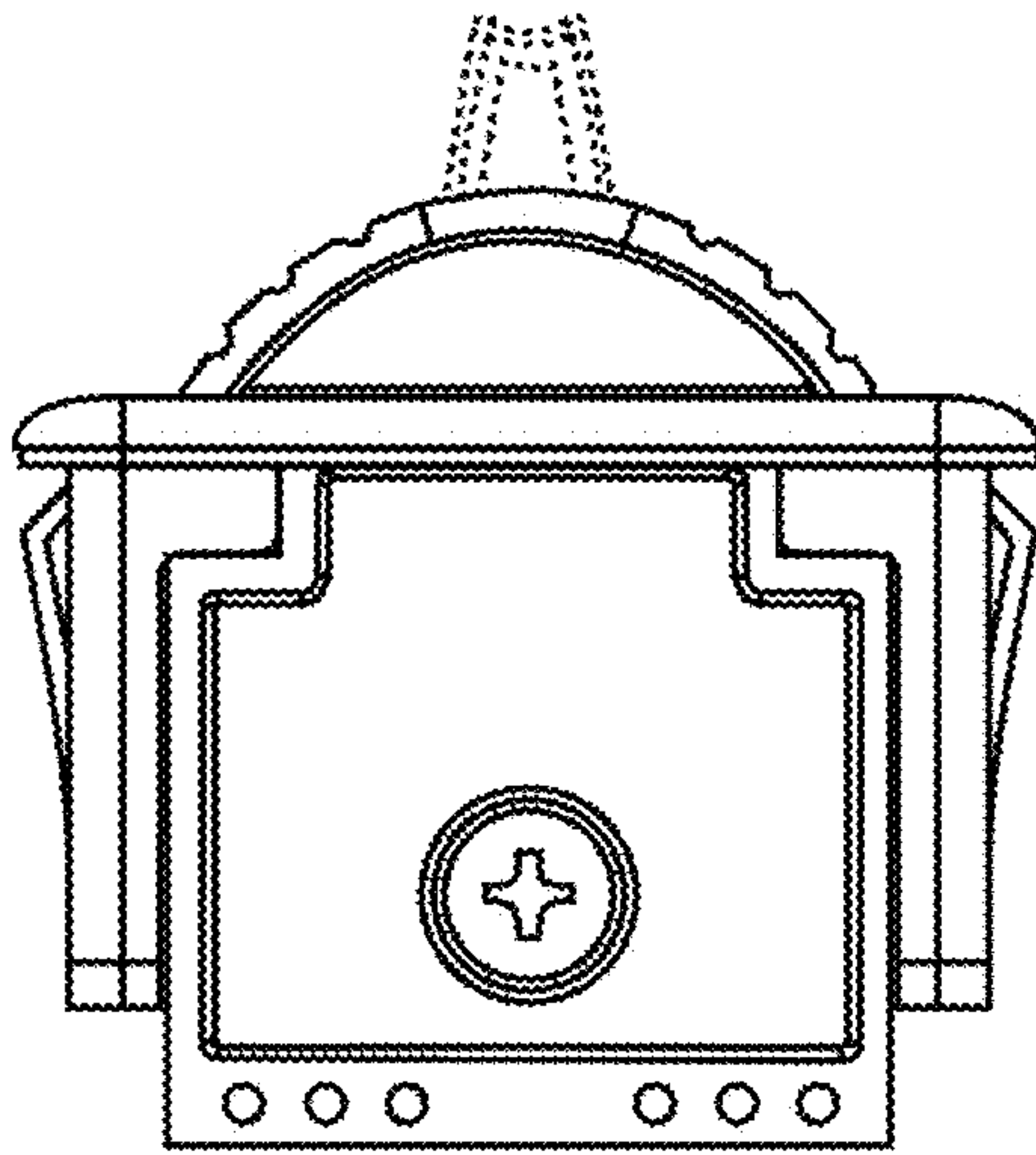


FIG. 27

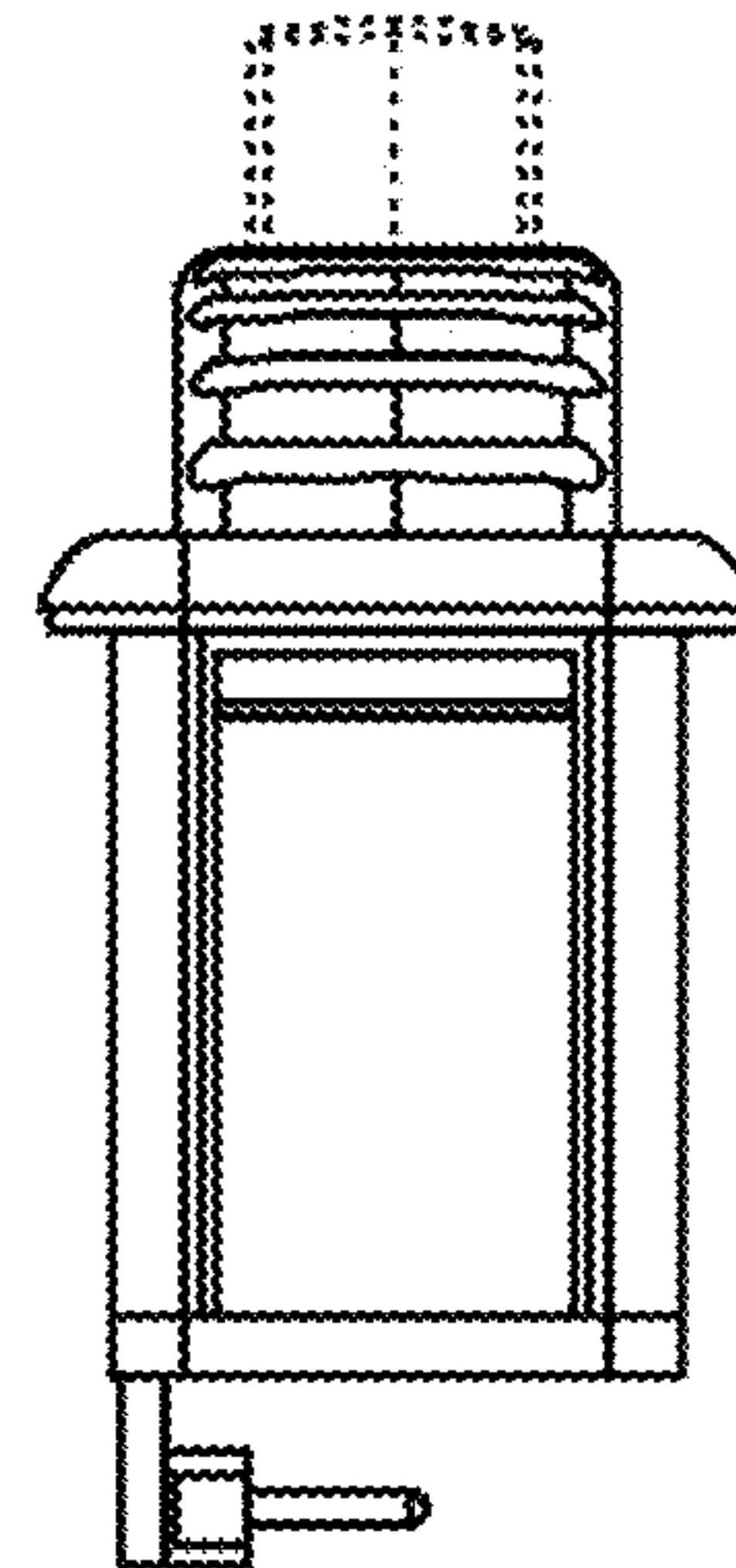


FIG. 29

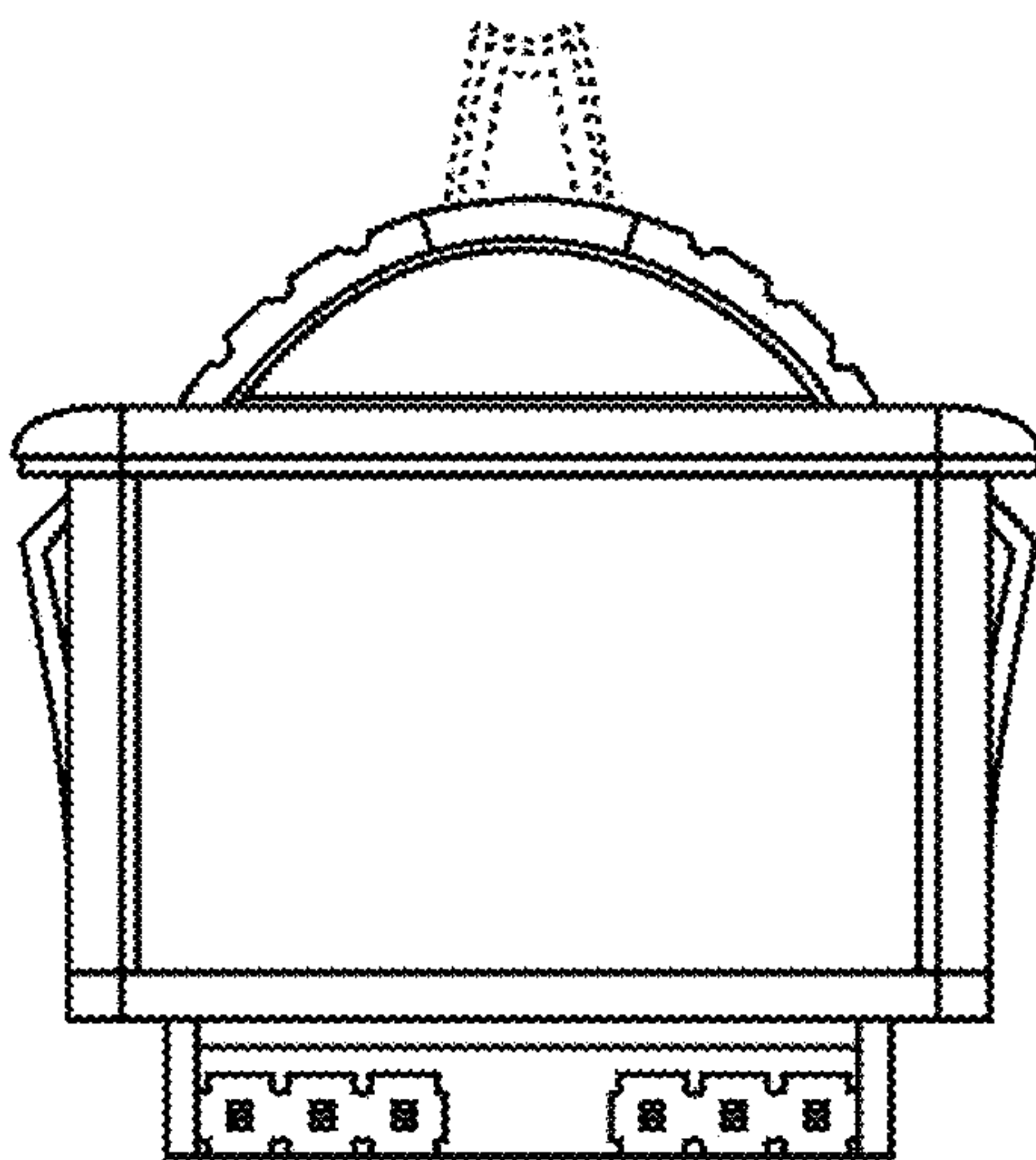


FIG. 28

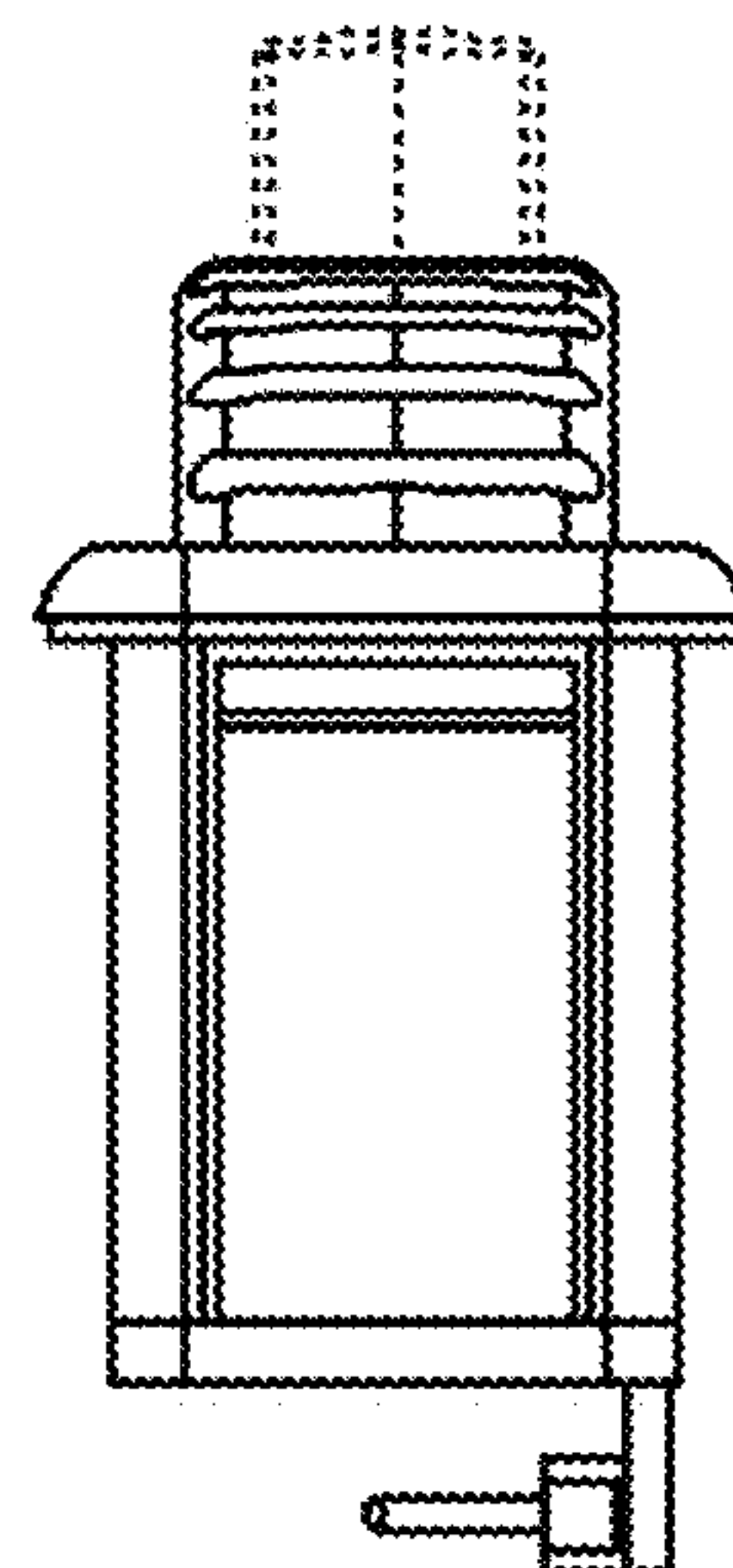


FIG. 30