

US00D767683S

(12) **United States Design Patent**  
**Weigand**

(10) **Patent No.:** **US D767,683 S**

(45) **Date of Patent:** **\*\* Sep. 27, 2016**

(54) **TRELLIS STRUCTURE FOR A GAMING APPARATUS**

(71) Applicant: **Gert Stefan Günter Weigand**,  
Allershausen (DE)

(72) Inventor: **Gert Stefan Günter Weigand**,  
Allershausen (DE)

(73) Assignee: **Gert Stefan Günter Weigand**,  
Allershausen (DE)

(\*\*) Term: **14 Years**

(21) Appl. No.: **29/518,886**

(22) Filed: **Feb. 27, 2015**

(51) **LOC (10) Cl.** ..... **21-01**

(52) **U.S. Cl.**  
USPC ..... **D21/333; D21/300**

(58) **Field of Classification Search**  
USPC ..... D21/300, 301, 302, 314, 318, 338, 339,  
D21/355, 363, 834, 837, 811; 273/317,  
273/317.1, 108, 108.1, 148 R, 459; 463/1,  
463/29-25, 46, 47; 446/476, 478; 47/20.1,  
47/42

CPC ..... A01G 9/12; A01G 9/22; E02B 17/00;  
E02B 17/08

See application file for complete search history.

(56) **References Cited**

**U.S. PATENT DOCUMENTS**

- 2,763,096 A \* 9/1956 Roger ..... A01G 9/12  
47/41.01
- 3,105,327 A \* 10/1963 Gasper ..... A01G 9/12  
47/47
- D217,169 S \* 4/1970 Allen ..... 273/287
- D358,849 S \* 5/1995 McClellan ..... D21/300

- 5,906,078 A \* 5/1999 Cramer ..... E04H 15/646  
135/121
- 6,758,014 B2 \* 7/2004 Chen ..... A01G 9/14  
135/121
- D525,314 S \* 7/2006 Elkhoury ..... D21/337
- D652,462 S \* 1/2012 Sun ..... D21/300
- 9,033,617 B2 \* 5/2015 Perol ..... B63B 9/065  
405/203
- 9,149,008 B1 \* 10/2015 Schemmel ..... A01G 9/12
- 9,167,755 B1 \* 10/2015 Kampman ..... A01G 9/12

\* cited by examiner

*Primary Examiner* — Prabhakar Deshmukh

(74) *Attorney, Agent, or Firm* — Kilpatrick Townsend & Stockton LLP

(57) **CLAIM**

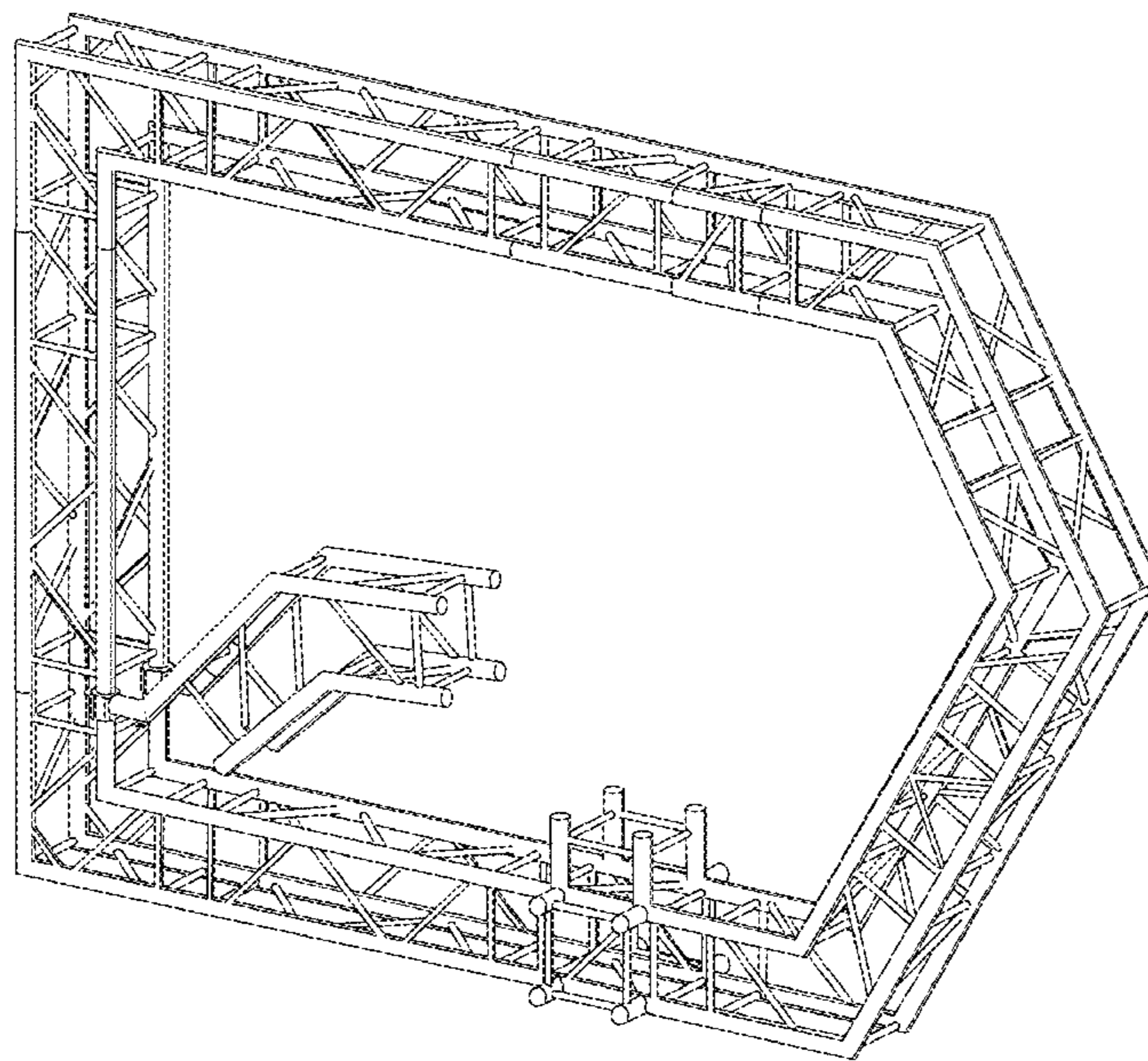
The ornamental design for a trellis structure for a gaming apparatus, as shown and described.

**DESCRIPTION**

FIG. 1 is a perspective view of a trellis structure for a gaming apparatus showing my new design;  
 FIG. 2 is a front elevation view thereof, the rear elevation being a mirror image;  
 FIG. 3 is a left side elevation thereof;  
 FIG. 4 is a top plan view thereof;  
 FIG. 5 is a perspective view thereof, shown in environmental use;  
 FIG. 6 is a another perspective view thereof, shown in an additional environmental use; and,  
 FIG. 7 is a front elevation of FIG. 6, the rear elevation being a mirror image.

The broken lines showing of an additional pedestal structure and other gaming features in FIGS. 5-7 are shown for environmental purpose only and form no part of the claimed design.

**1 Claim, 7 Drawing Sheets**



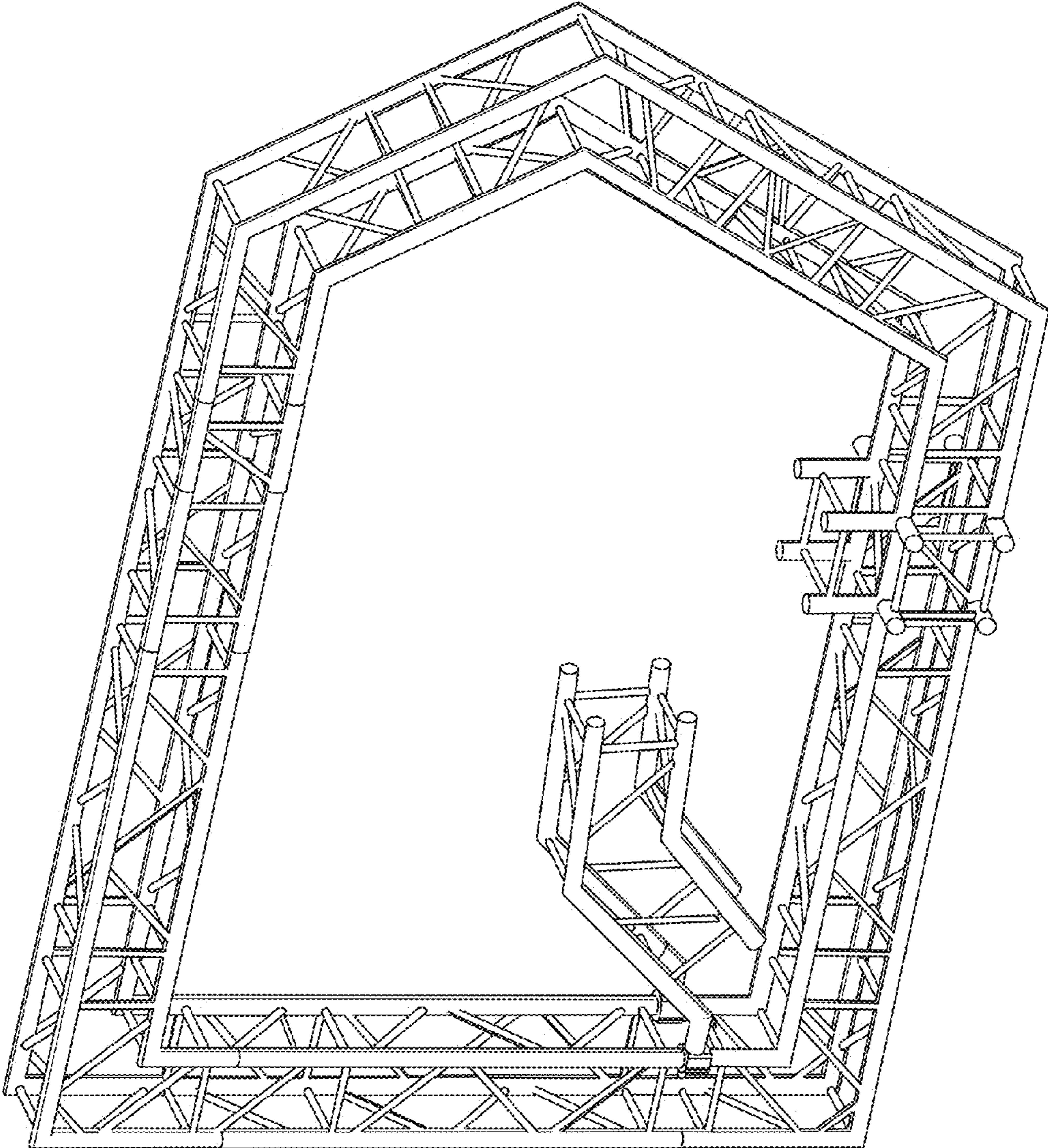


FIG. 1

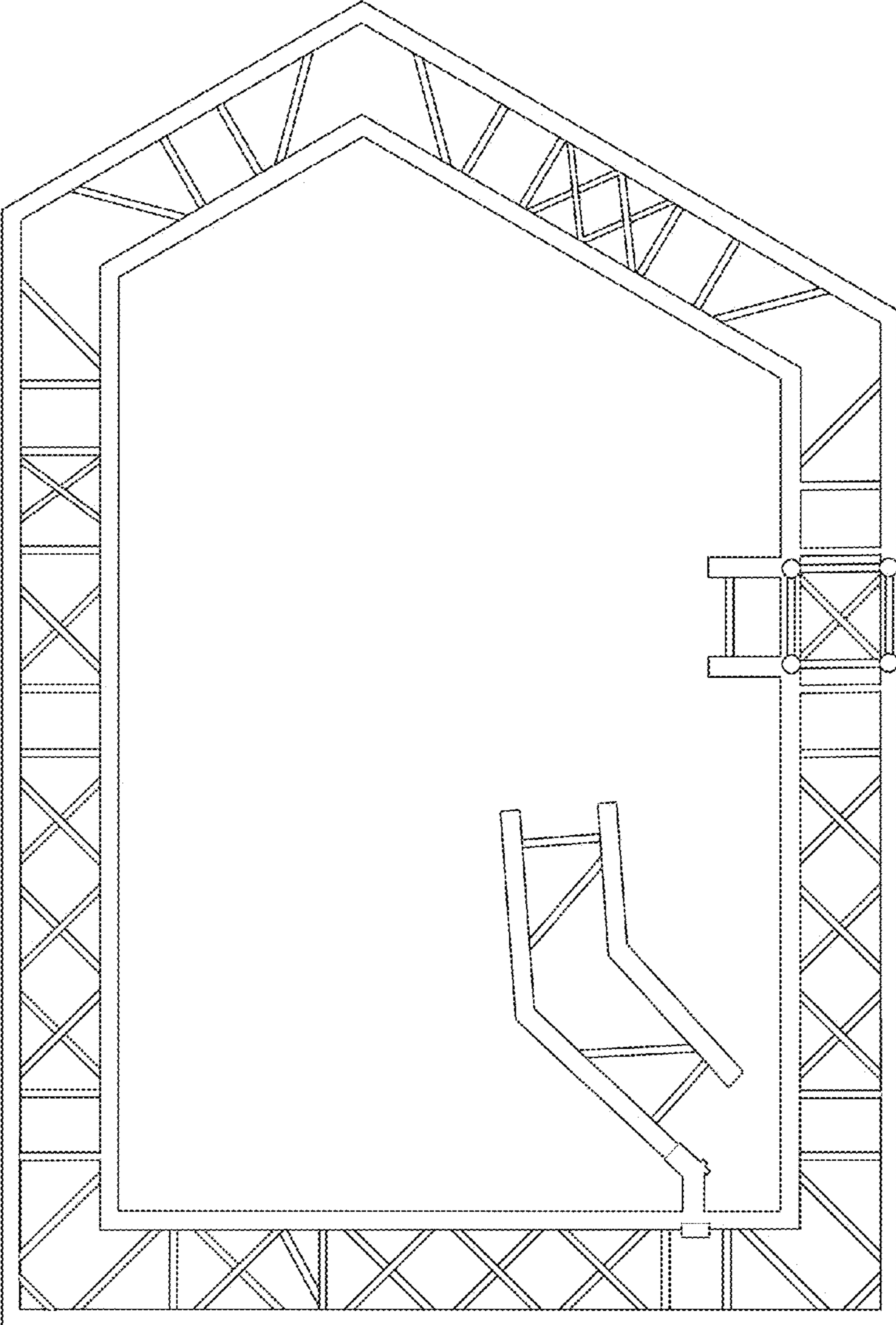


FIG. 2

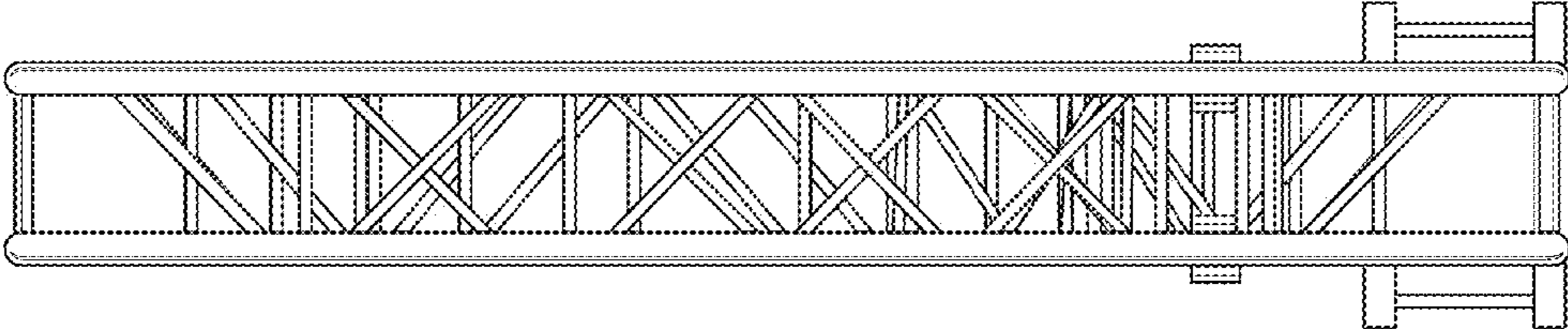


FIG. 3

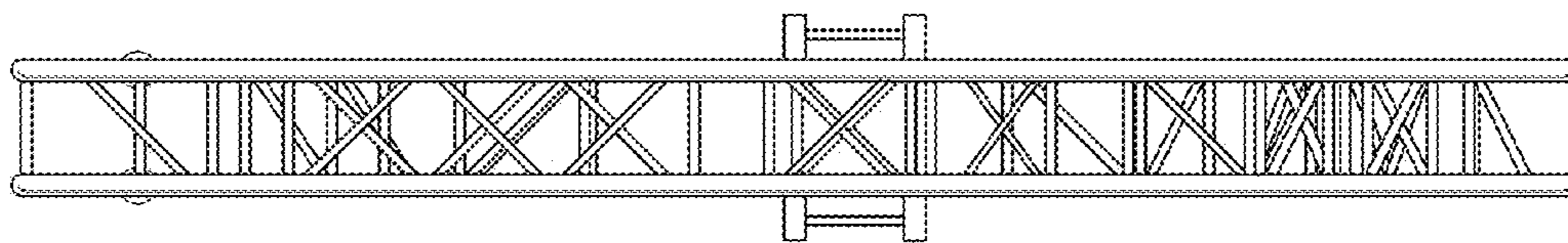


FIG. 4

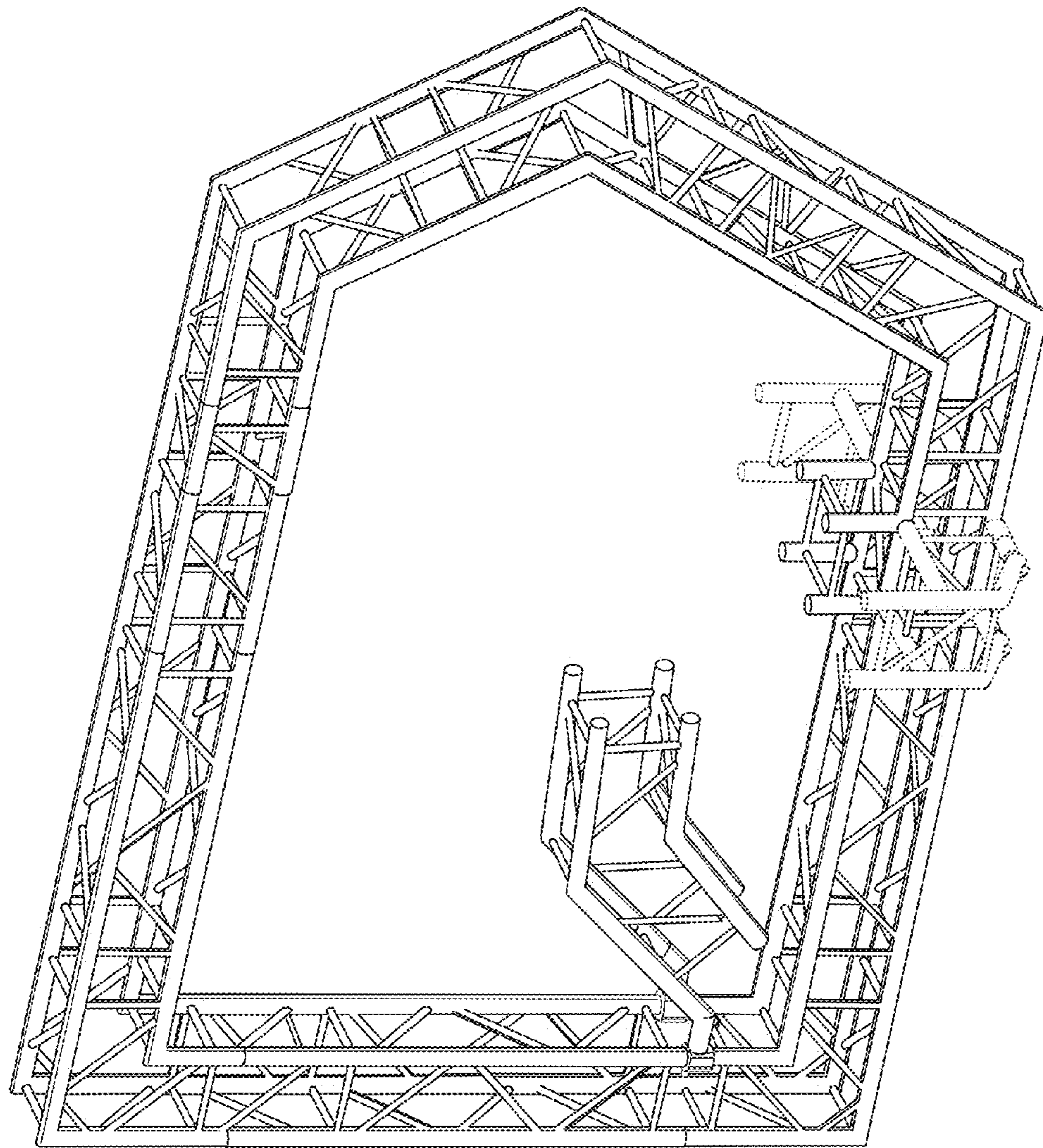
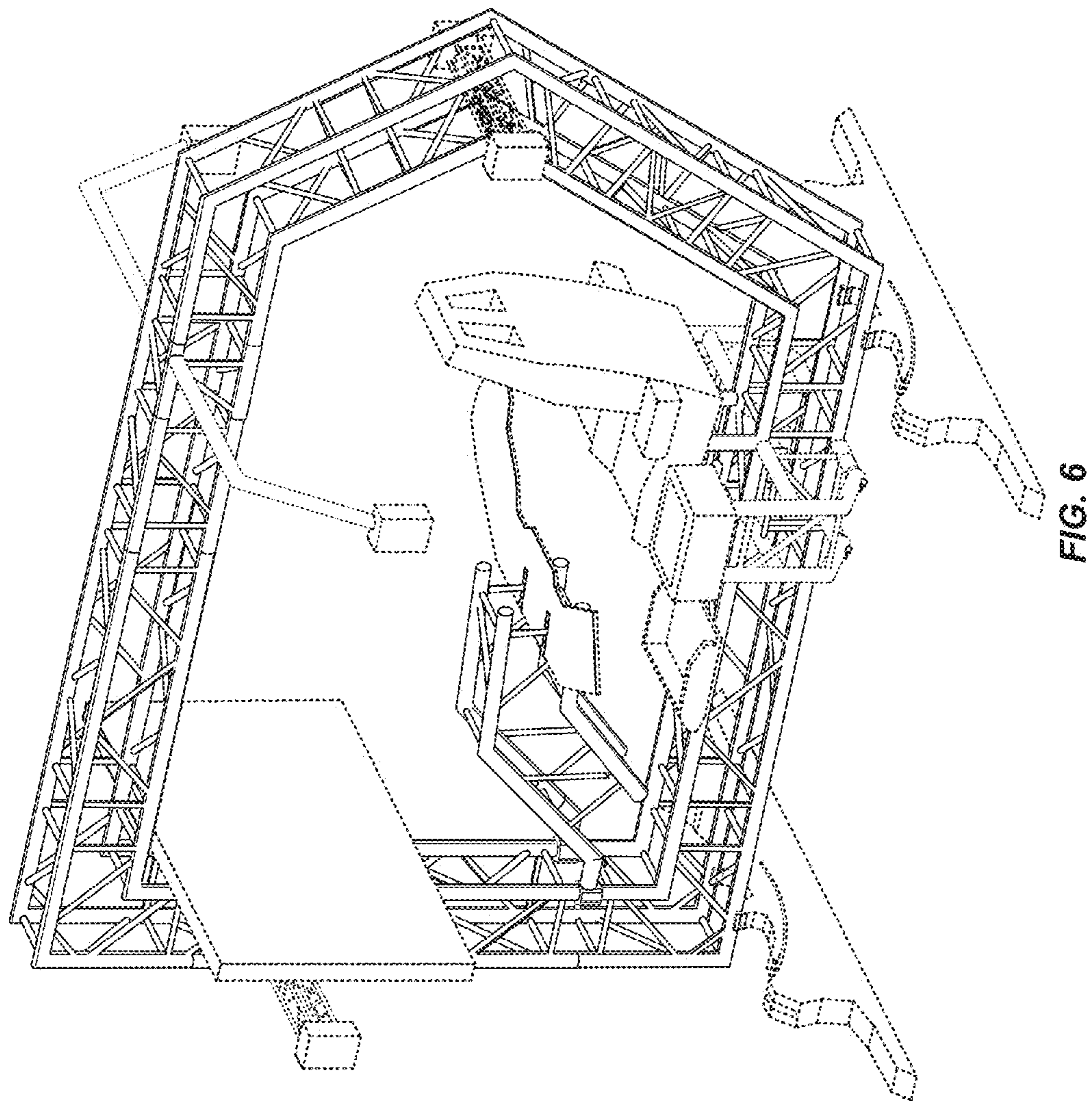


FIG. 5



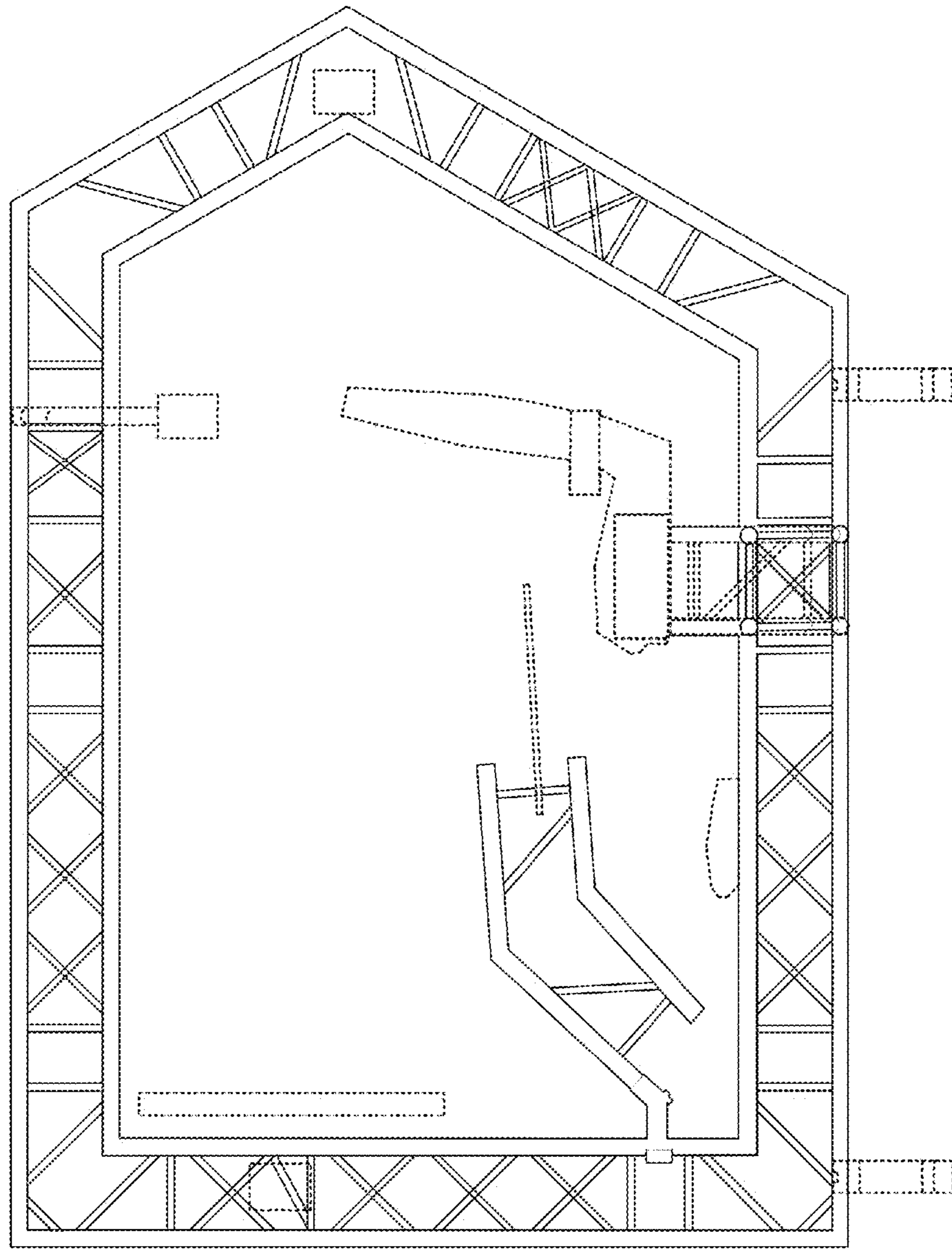


FIG. 7