



US00D767682S

(12) **United States Design Patent** (10) **Patent No.:** **US D767,682 S**
Bellinghausen et al. (45) **Date of Patent:** **** *Sep. 27, 2016**

(54) **CONTROLLER**
(71) Applicant: **Valve Corporation**, Bellevue, WA (US)
(72) Inventors: **Jeffrey Bellinghausen**, Bellevue, WA (US); **Claire Michelle Gottschalk**, Bellevue, WA (US); **Eric Hope**, Duvall, WA (US); **Jeffrey Keyzer**, Redmond, WA (US); **Amy Narae Kim**, New York, NY (US)

7,235,012	B2 *	6/2007	DiDato	463/38
D585,931	S *	2/2009	Palmer	D18/7
7,762,553	B2 *	7/2010	Harris	273/148 B
D620,939	S *	8/2010	Suetake et al.	D14/401
D638,016	S *	5/2011	Ikeda	D14/401
8,205,220	B2 *	6/2012	Kim et al.	720/648
D685,434	S *	7/2013	Ali et al.	D21/333
D694,830	S *	12/2013	Crowley et al.	D21/333
8,628,085	B2 *	1/2014	Sternberg	273/148 B
D700,182	S *	2/2014	Kidakarn	D14/401

* cited by examiner

(73) Assignee: **VALVE CORPORATION**, Bellevue, WA (US)

Primary Examiner — Prabhakar Deshmukh

(*) Notice: This patent is subject to a terminal disclaimer.

(74) *Attorney, Agent, or Firm* — Barcelo, Harrison & Walker, LLP

(**) Term: **14 Years**

(57) **CLAIM**

(21) Appl. No.: **29/514,996**

The ornamental design for a controller, as shown and described.

(22) Filed: **Jan. 19, 2015**

(51) **LOC (10) Cl.** **21-01**

(52) **U.S. Cl.**
USPC **D21/333; D14/401**

DESCRIPTION

(58) **Field of Classification Search**
USPC D14/399–401, 412–418; 273/148 B; 463/1, 29–39, 46, 47; 345/156–161, 345/905; D21/333, 328
CPC A63F 13/02; A63F 9/24; A63F 13/12; A63F 9/00; A63F 11/00; A63F 71/00; G06F 3/02; G06F 3/033; G09G 5/00
See application file for complete search history.

FIG. 1 is a perspective view of a controller showing our new design;
FIG. 2 is a front elevational view thereof;
FIG. 3 is a rear elevational view thereof;
FIG. 4 is a left side elevational view thereof;
FIG. 5 is a right side elevational view thereof;
FIG. 6 is a top plan view thereof; and,
FIG. 7 is a bottom plan view thereof.

The broken lines indicate unclaimed portions and form no part of the claimed design.

(56) **References Cited**

U.S. PATENT DOCUMENTS

D420,660	S *	2/2000	Chen	D14/401
D478,590	S *	8/2003	Hussaini et al.	D14/401

1 Claim, 7 Drawing Sheets

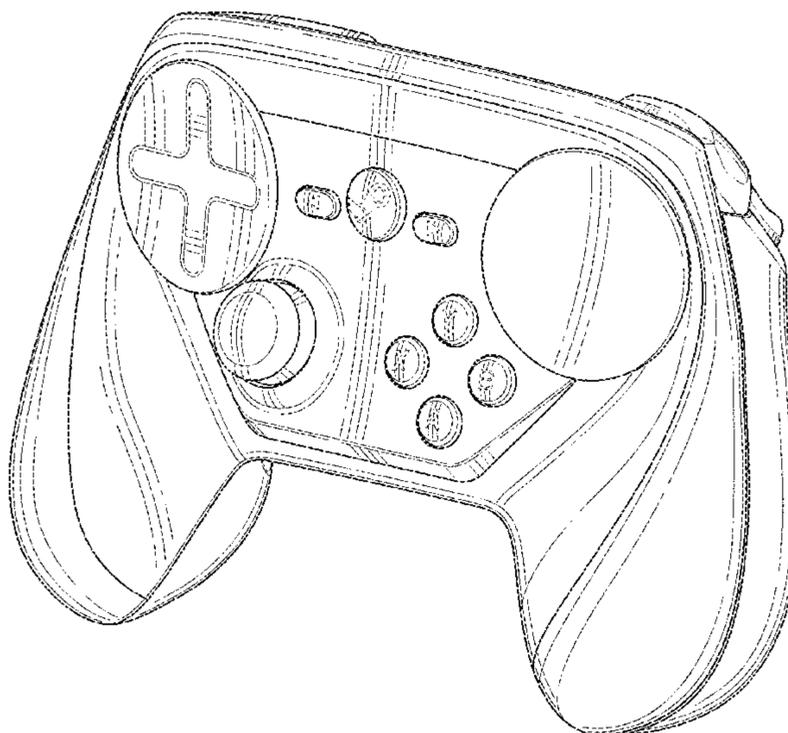




FIG. 1

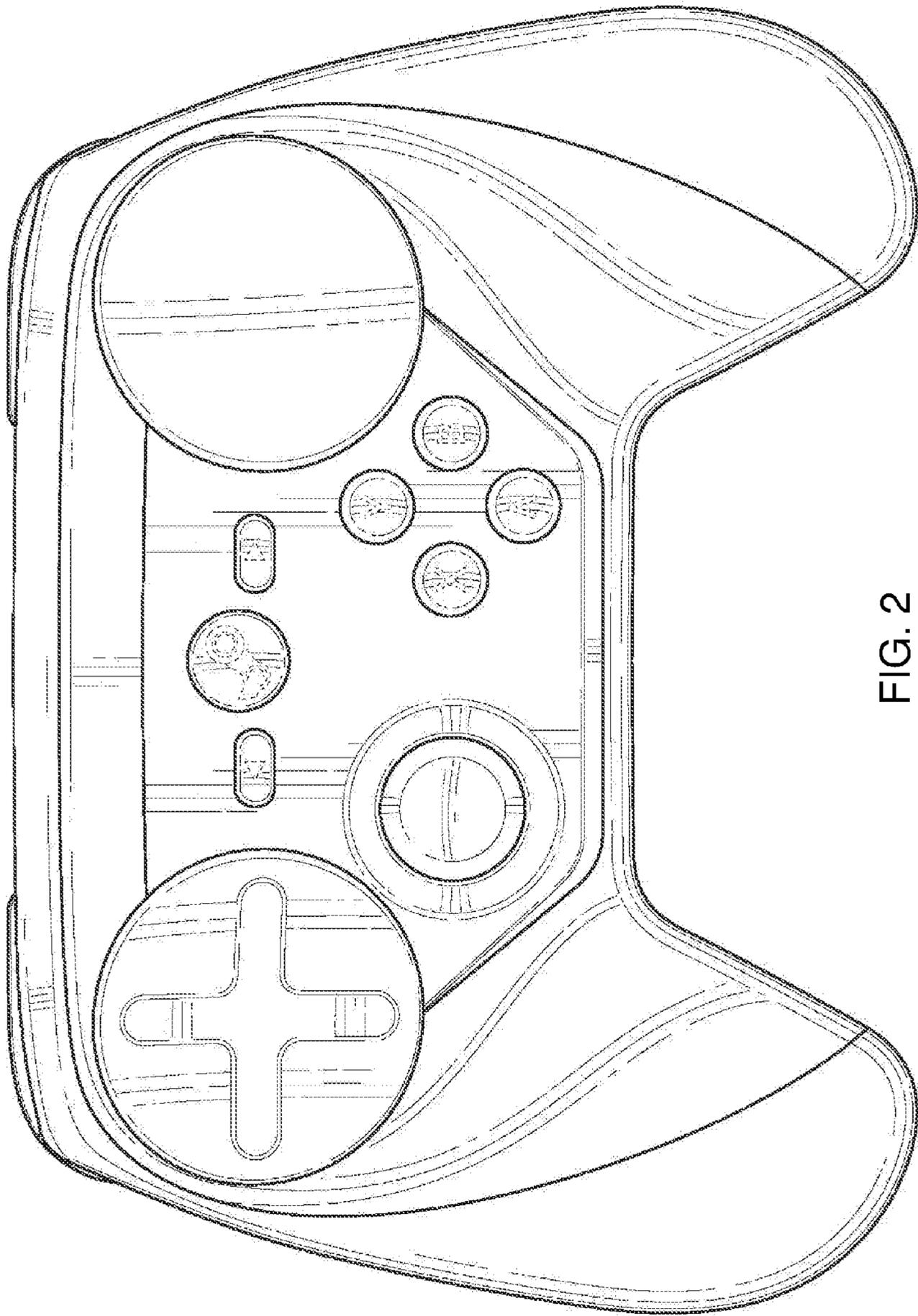


FIG. 2

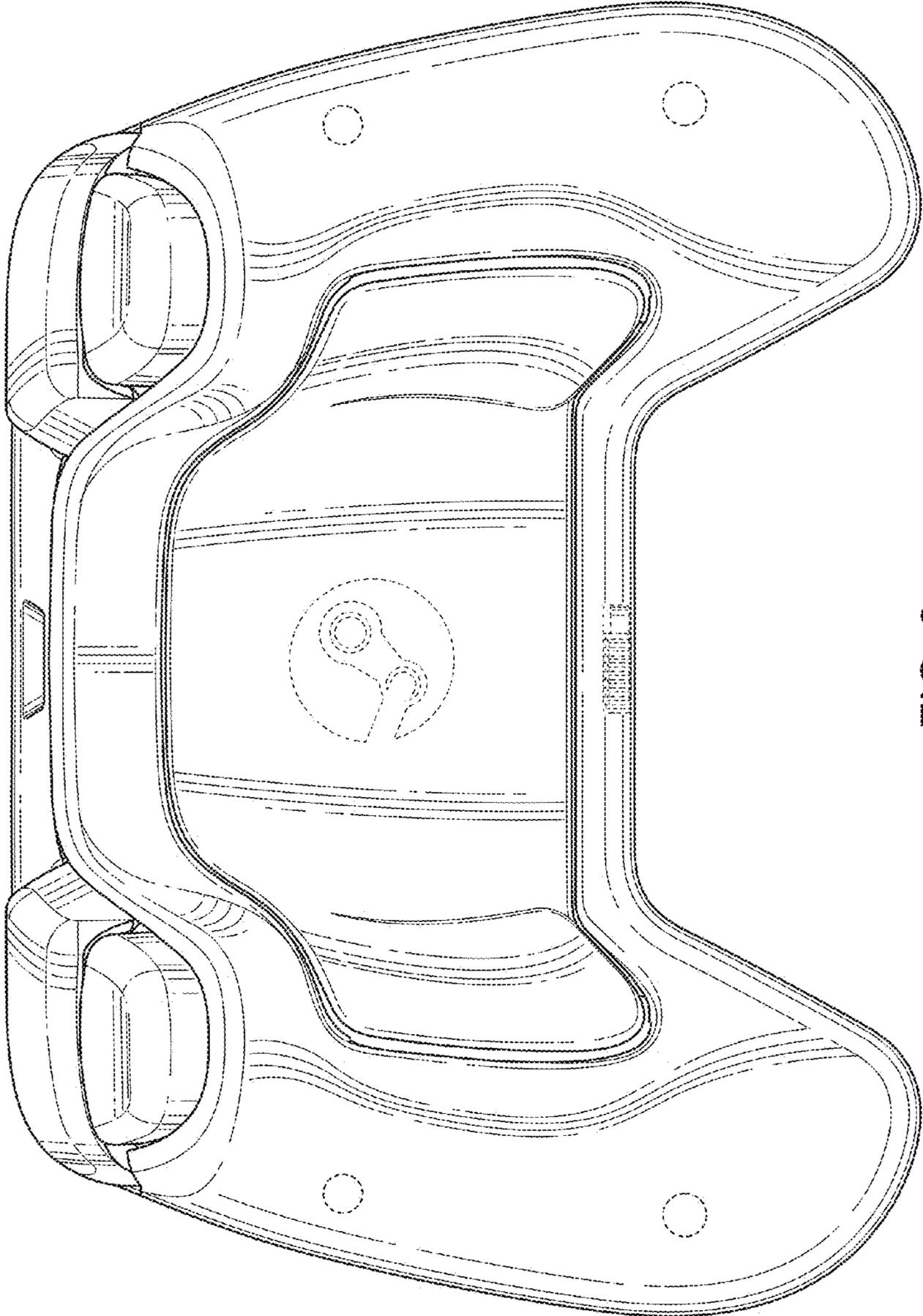


FIG. 3

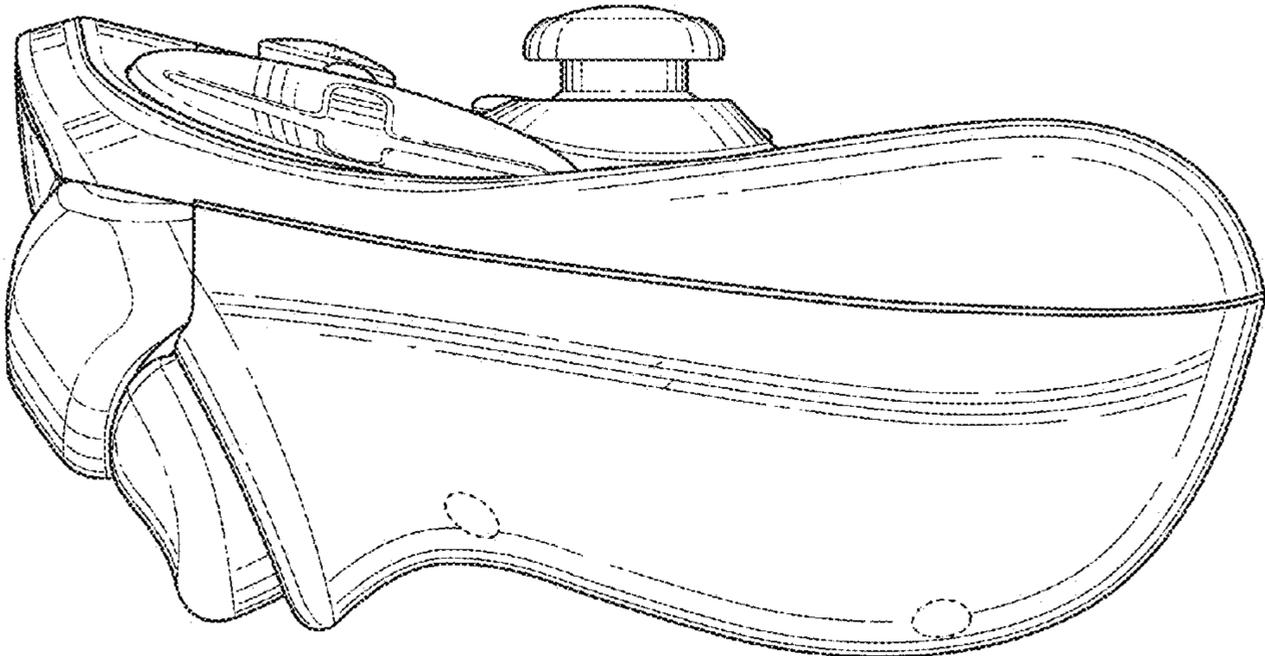


FIG. 4

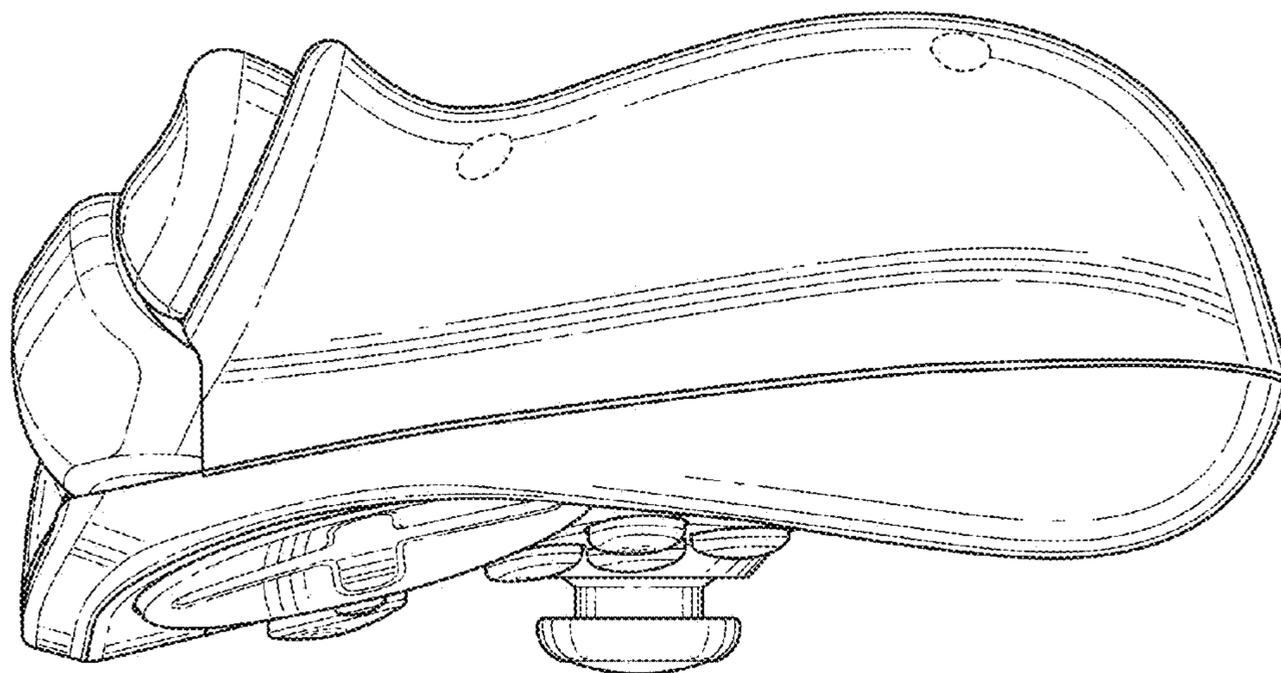


FIG. 5

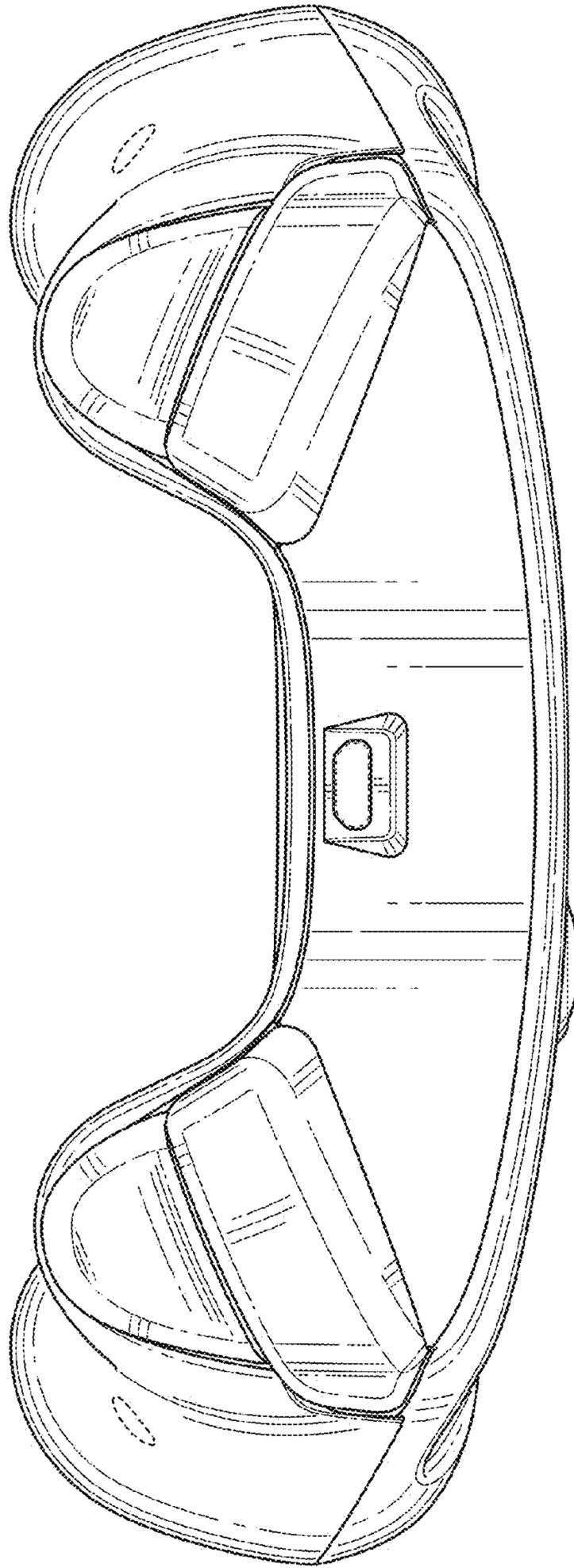


FIG. 6

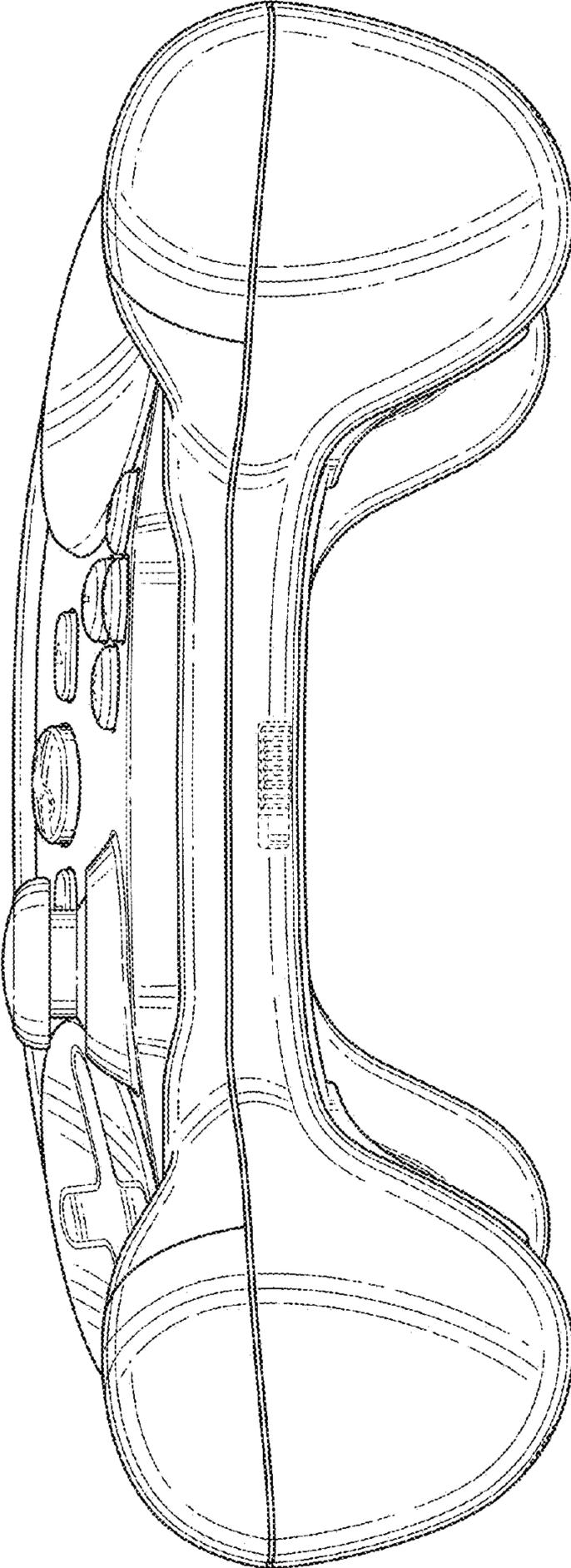


FIG. 7